

United States Patent [19]

Beier-Rosetti

[11] Patent Number: **Des. 306,400**

[45] Date of Patent: **** Mar. 6, 1990**

[54] BOTTLE

[75] Inventor: **Annegret Beier-Rosetti, Paris, France**

[73] Assignee: **L'Oreal S.A., Paris, France**

[**] Term: **14 Years**

[21] Appl. No.: **91,255**

[22] Filed: **Aug. 31, 1987**

[52] U.S. Cl. **D9/386; D9/400**

[58] Field of Search **D9/386, 384, 385, 389,
D9/400, 403-413, 338, 367, 377; 215/1 B, 1 C;
D28/5, 91.1**

D. 94,009 12/1934 Westlake D9/386
D. 100,424 7/1936 Guerlain D9/386
D. 141,171 5/1945 Gruber D9/386

Primary Examiner—Melvin B. Feifer
Assistant Examiner—Lucy Lieberman
Attorney, Agent, or Firm—Brumbaugh, Graves,
Donohue & Raymond

[57] CLAIM

The ornamental design for a bottle, as shown and described.

DESCRIPTION

FIG. 1 is a perspective view of a bottle showing my new design;

FIG. 2 is a top view of the bottle in FIG. 1;

FIG. 3 is a front elevation thereof, the rear elevation being identical thereto; and

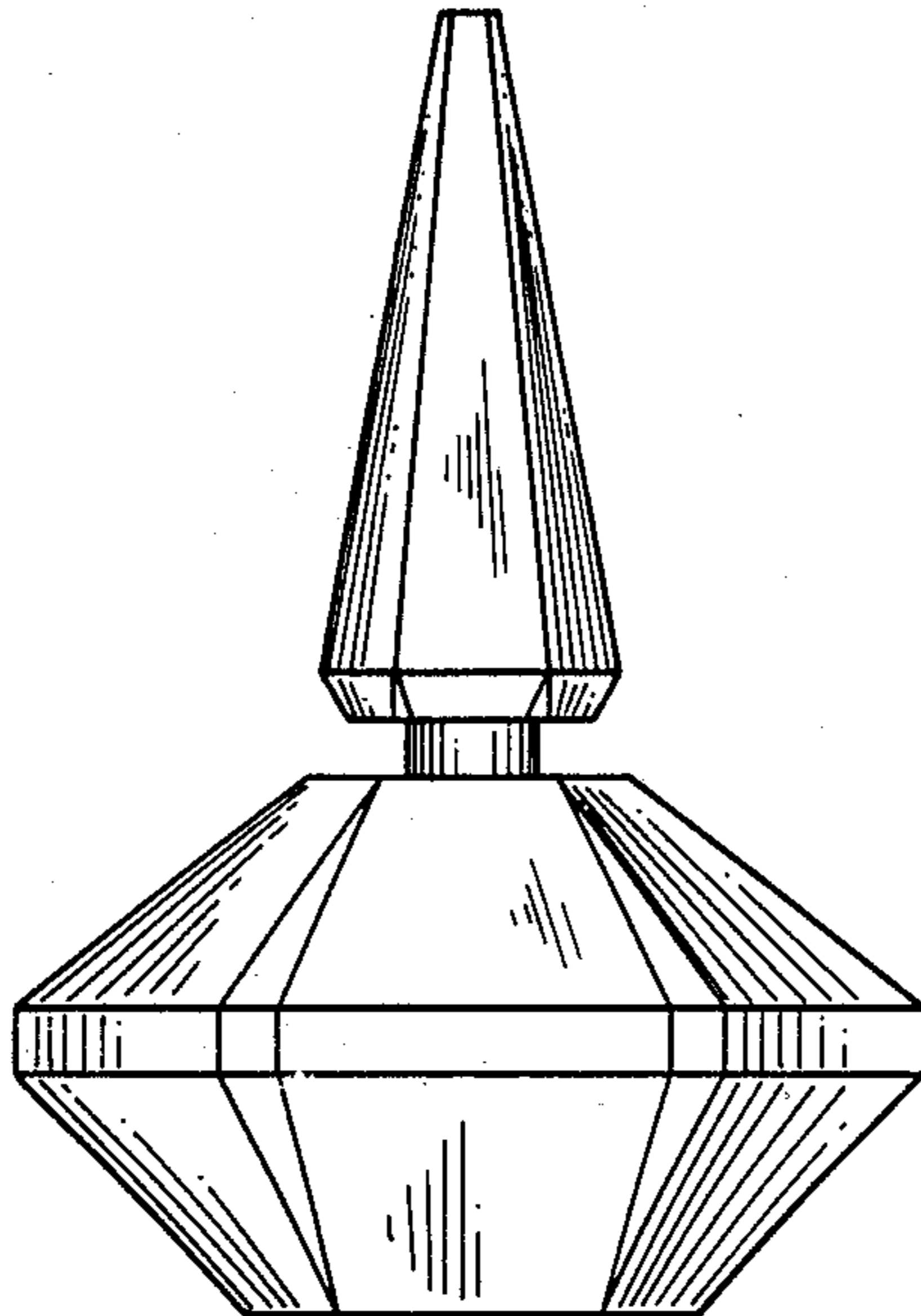
FIG. 4 is a bottom view of the bottle in FIG. 1.

[56]

References Cited

U.S. PATENT DOCUMENTS

D. 71,782 1/1927 Delaize D9/384
D. 76,043 8/1928 Pfeiffer D9/386



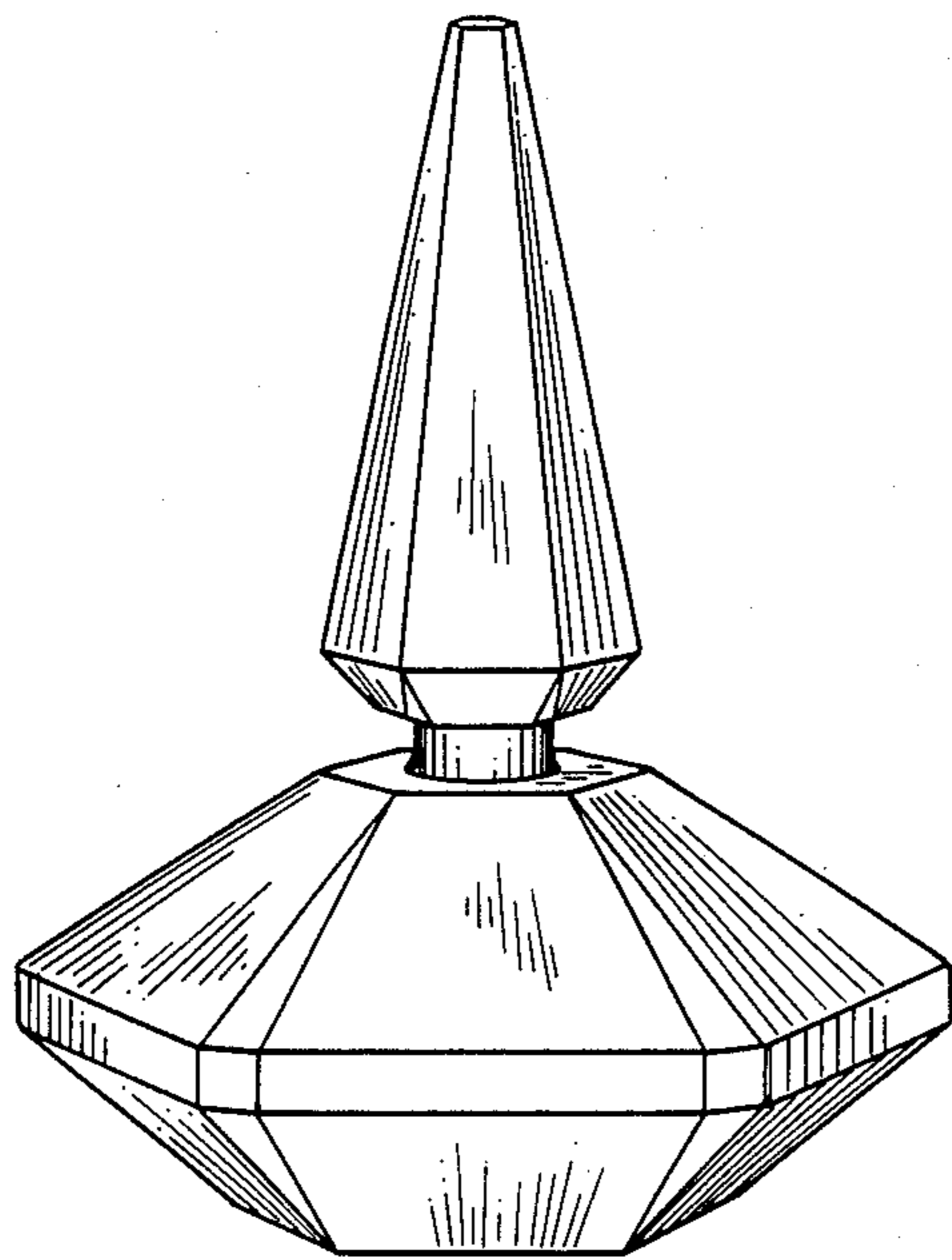


FIG. 1

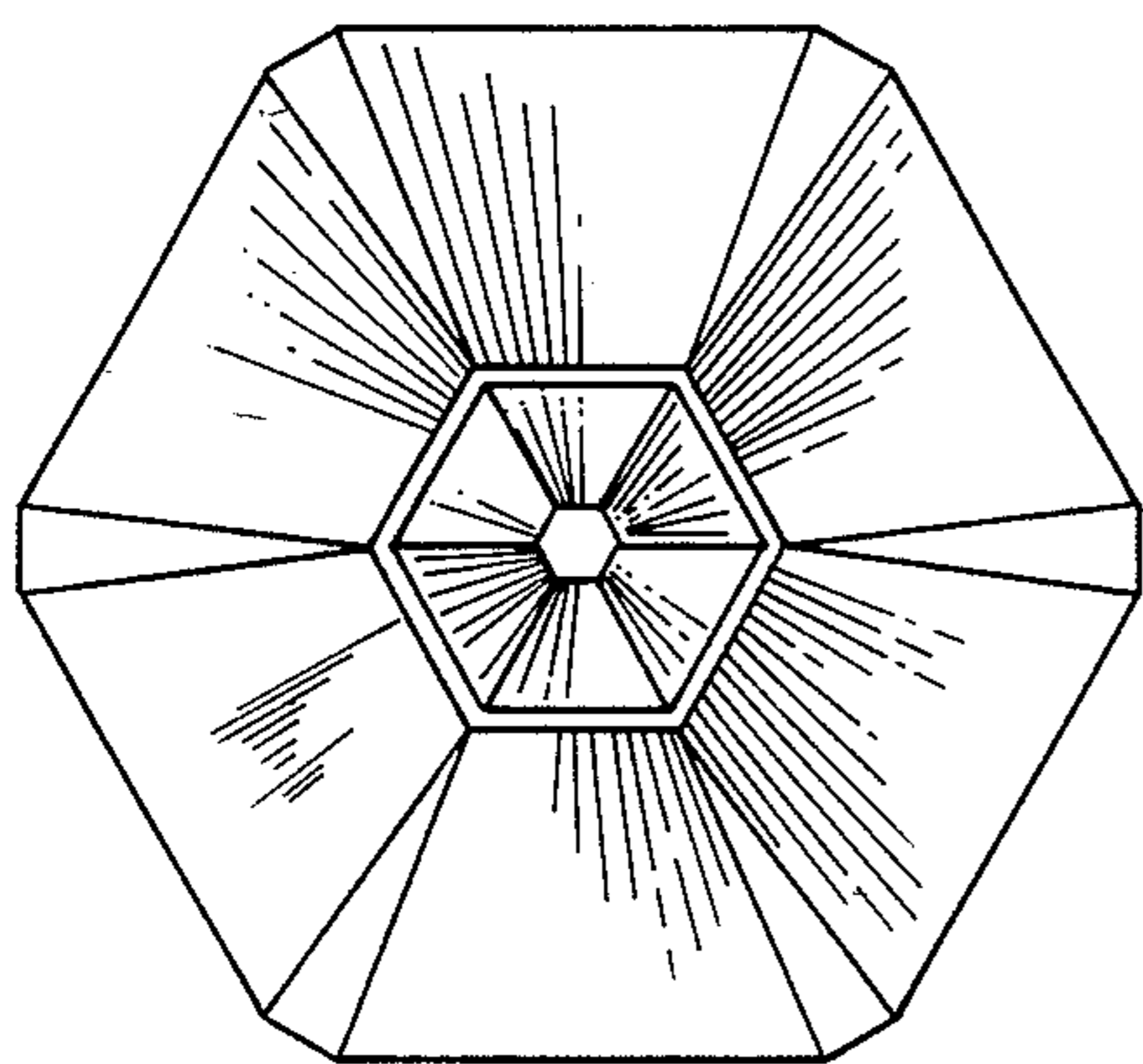


FIG. 2

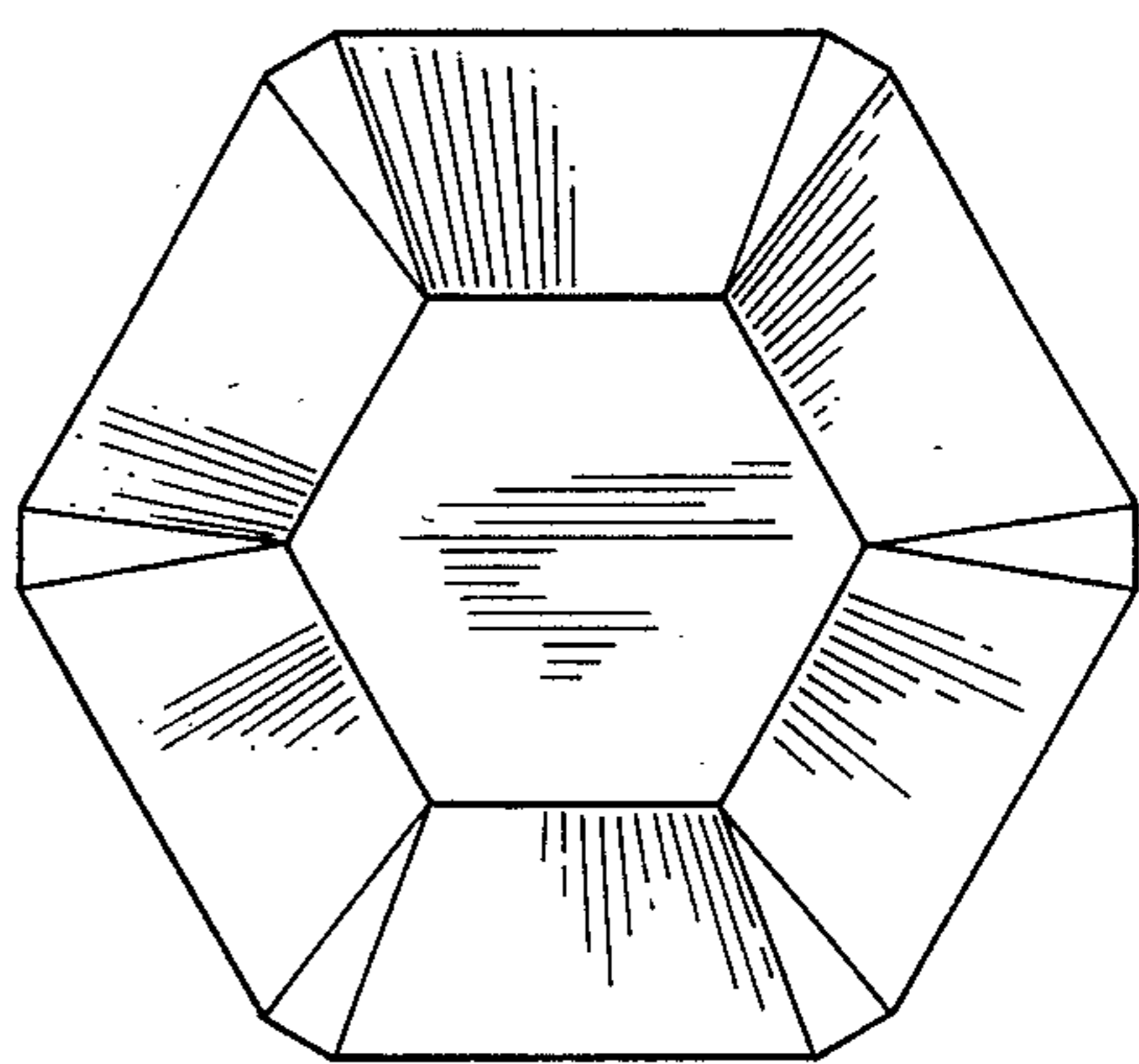


FIG. 4

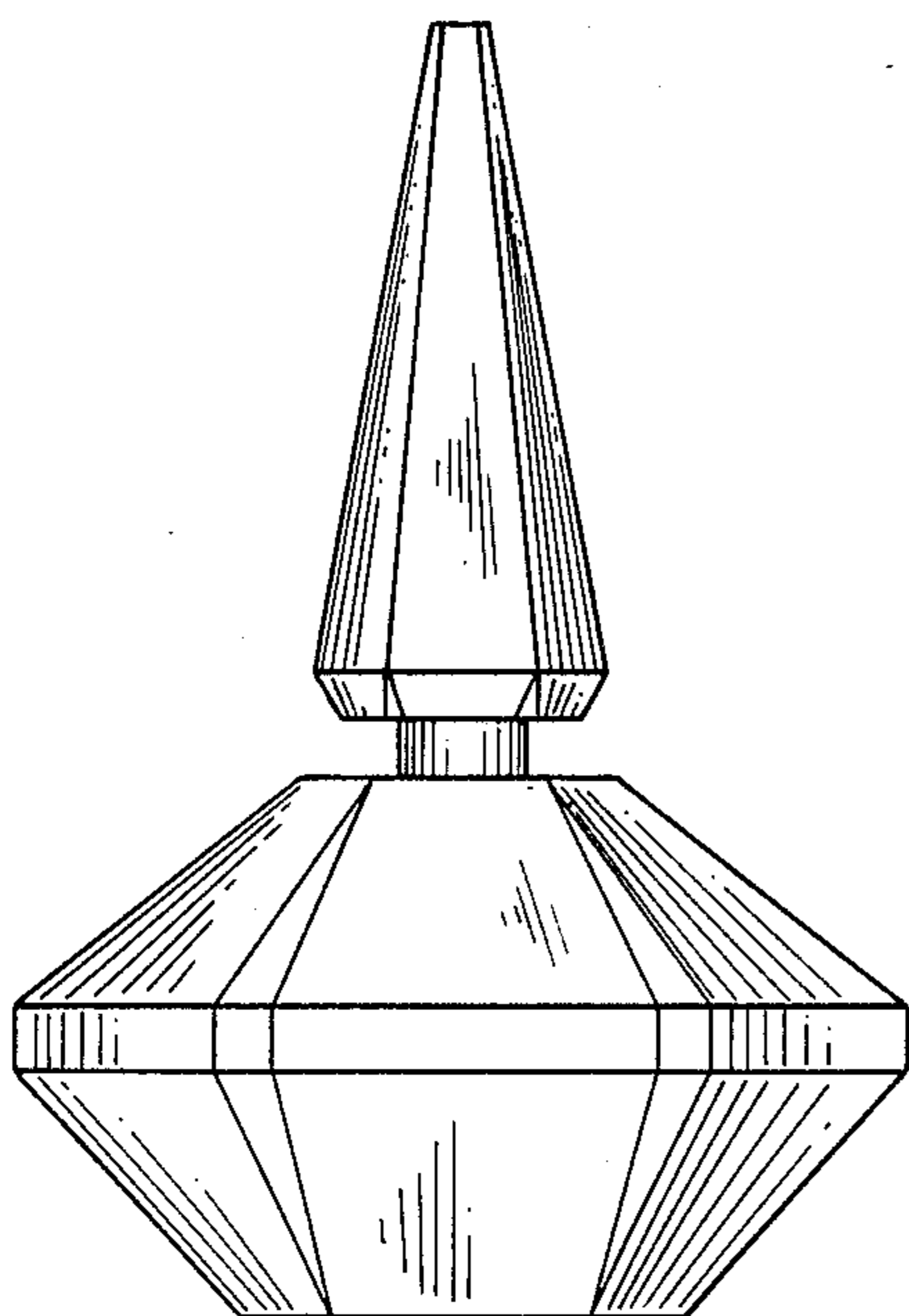


FIG. 3