

[54] CASTER FOR A CHAIR

[75] Inventor: Sun-Hyun Kweon, #302-2, 2-ka, Samdeok-dong, Jung-gu, Taegu City, Rep. of Korea

[73] Assignees: Sun-Hyun Kweon; Deok-Guy Kim, both of Rep. of Korea

[**] Term: 14 Years

[21] Appl. No.: 65,494

[22] Filed: Jun. 23, 1987

[52] U.S. Cl. D8/375

[58] Field of Search D8/375; 16/47, 48, 31 R, 16/33, 44, 32, 19, 18 CG

[56] References Cited

U.S. PATENT DOCUMENTS

1,089,628	3/1914	Diss	16/31 R
1,636,325	7/1927	Roe	16/33
2,798,652	7/1957	Easton	16/33
2,828,578	4/1958	McCabe	16/19 X
3,083,398	4/1963	Swalus	16/18 CG
3,121,556	2/1964	Faulkner	16/33
3,350,095	10/1967	Clasen	16/44
4,077,086	3/1978	Butler	16/33
4,249,282	2/1981	Little	16/32

4,773,124	9/1988	Nakao et al.	16/44
4,807,328	2/1989	Hezel	16/47

FOREIGN PATENT DOCUMENTS

0203402	8/1988	Japan	16/35 R
198662	9/1938	Switzerland	16/33

Primary Examiner—Horace B. Fay, Jr.
Attorney, Agent, or Firm—Ostrolenk, Faber, Gerb & Soffen

[57] CLAIM

The ornamental design for caster for a chair, as shown and described.

DESCRIPTION

FIG. 1 is a left side, top and front perspective view of a caster for a chair showing my new design; FIG. 2 is a front, top and right side perspective view thereof; FIG. 3 is a front elevational view thereof; FIG. 4 is top plan view thereof; FIG. 5 is a rear elevational view thereof; FIG. 6 is a bottom plan view thereof; FIGS. 7 and 8 are respectively right and left side elevational views thereof; and FIG. 9 is sectional view taken on the line A—A in FIG. 8.

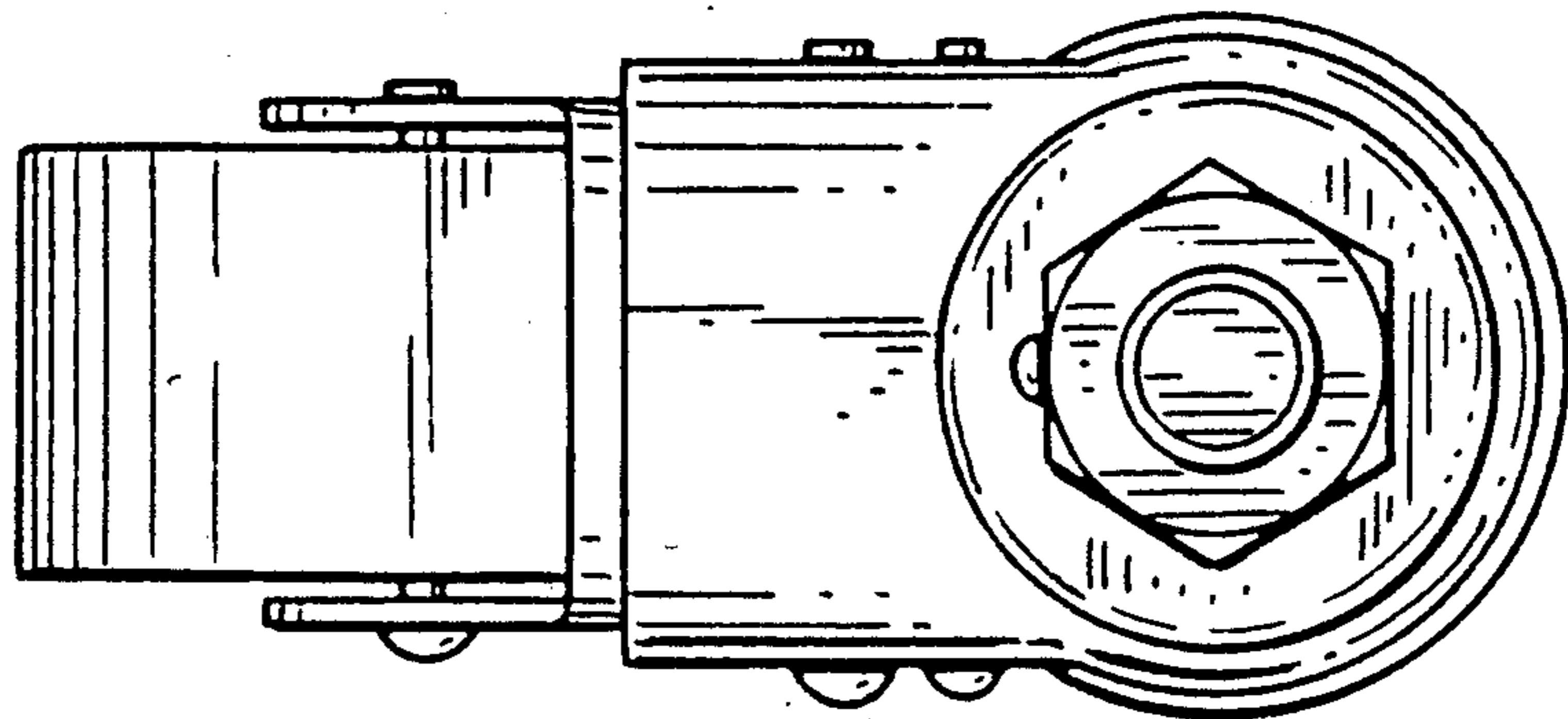
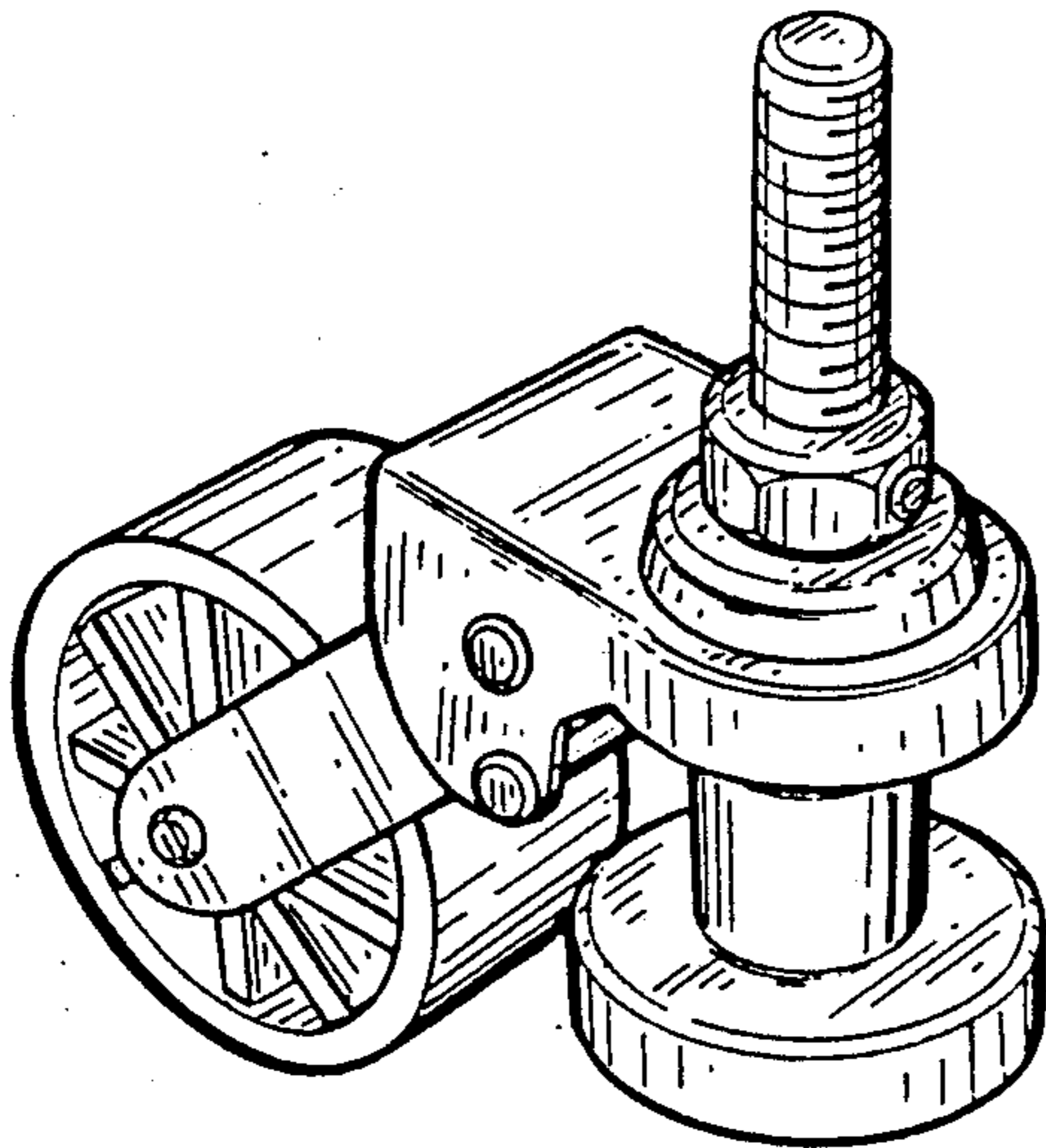


FIG 1

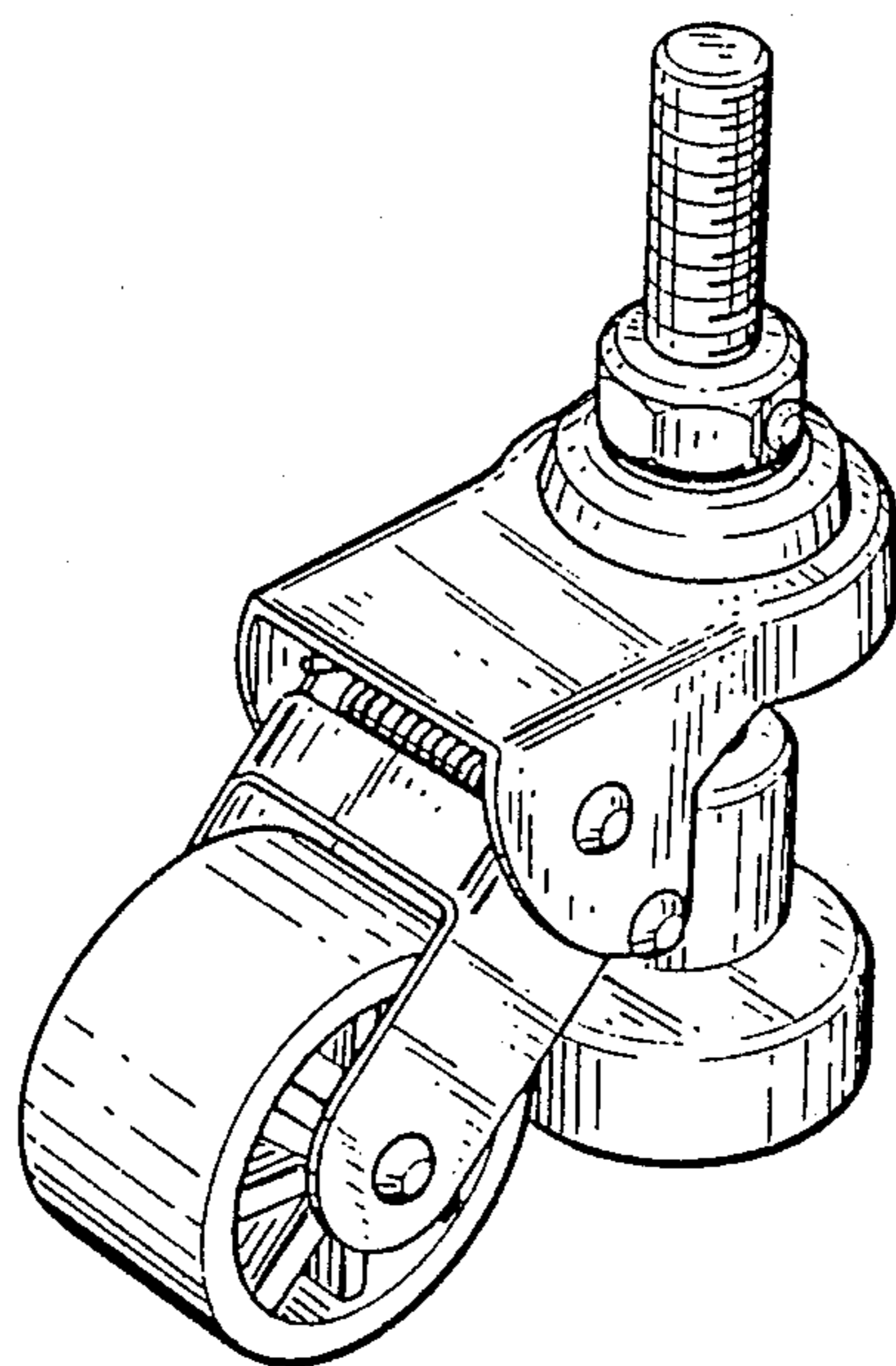


FIG 2

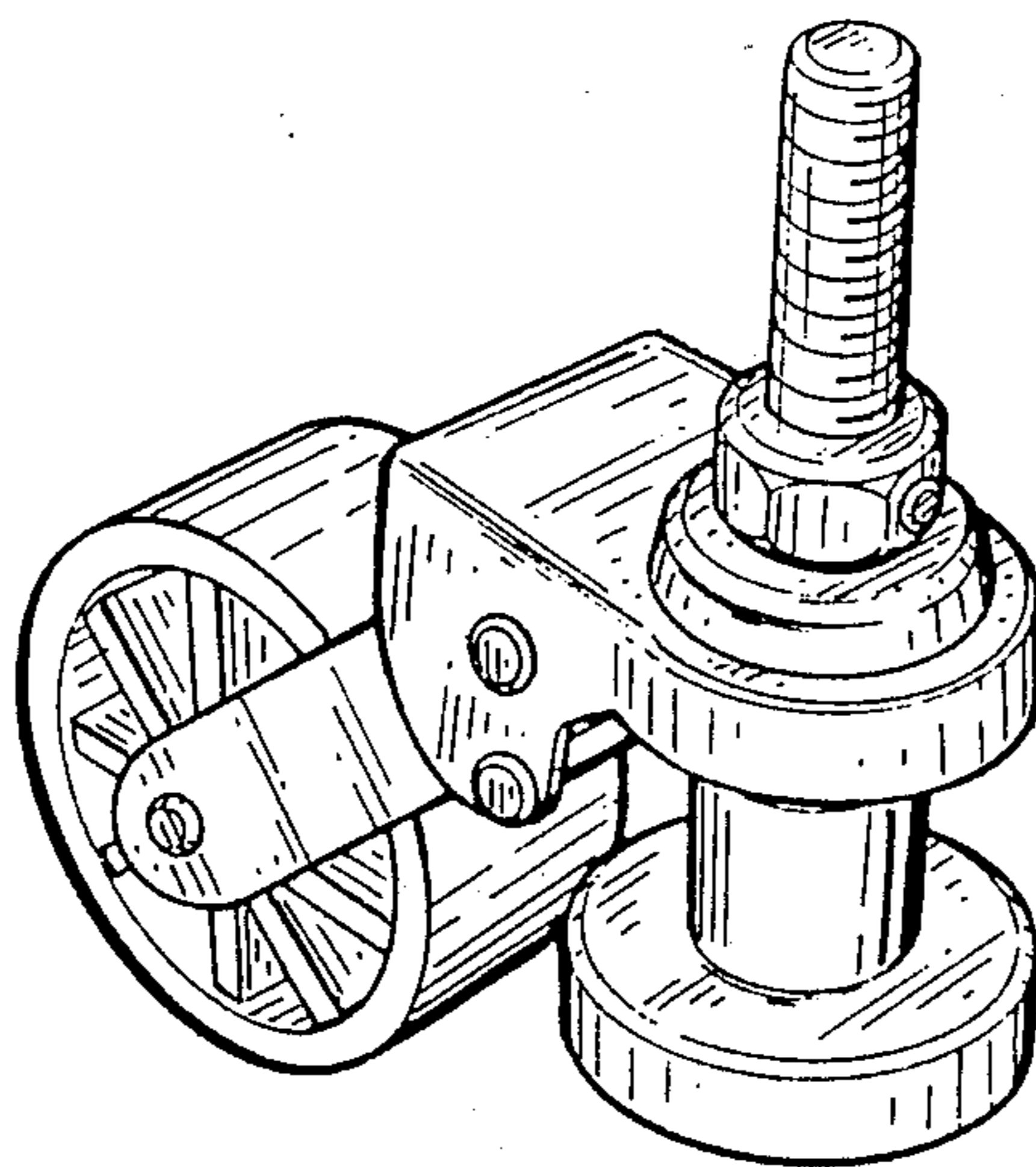


FIG 3

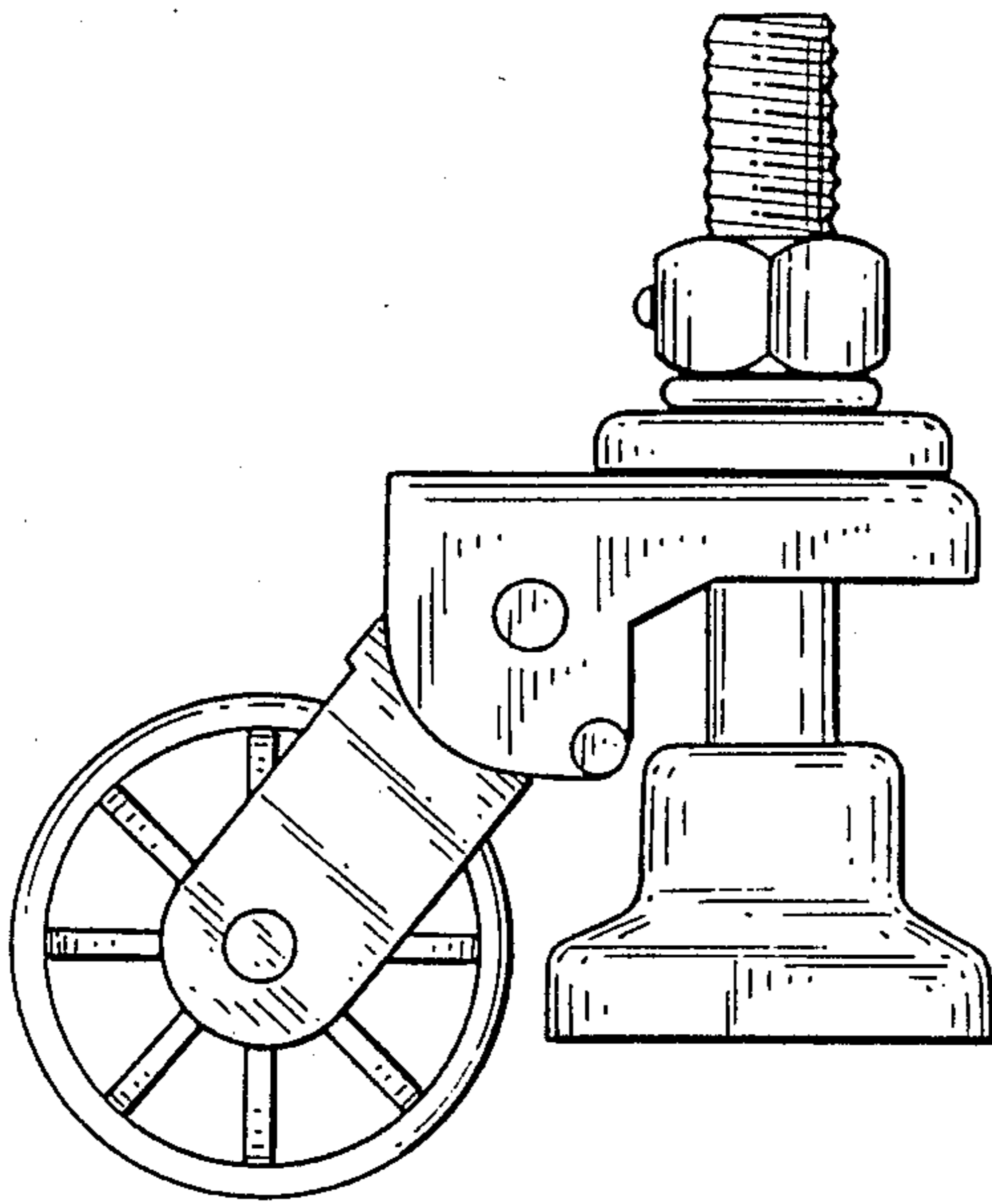


FIG 4

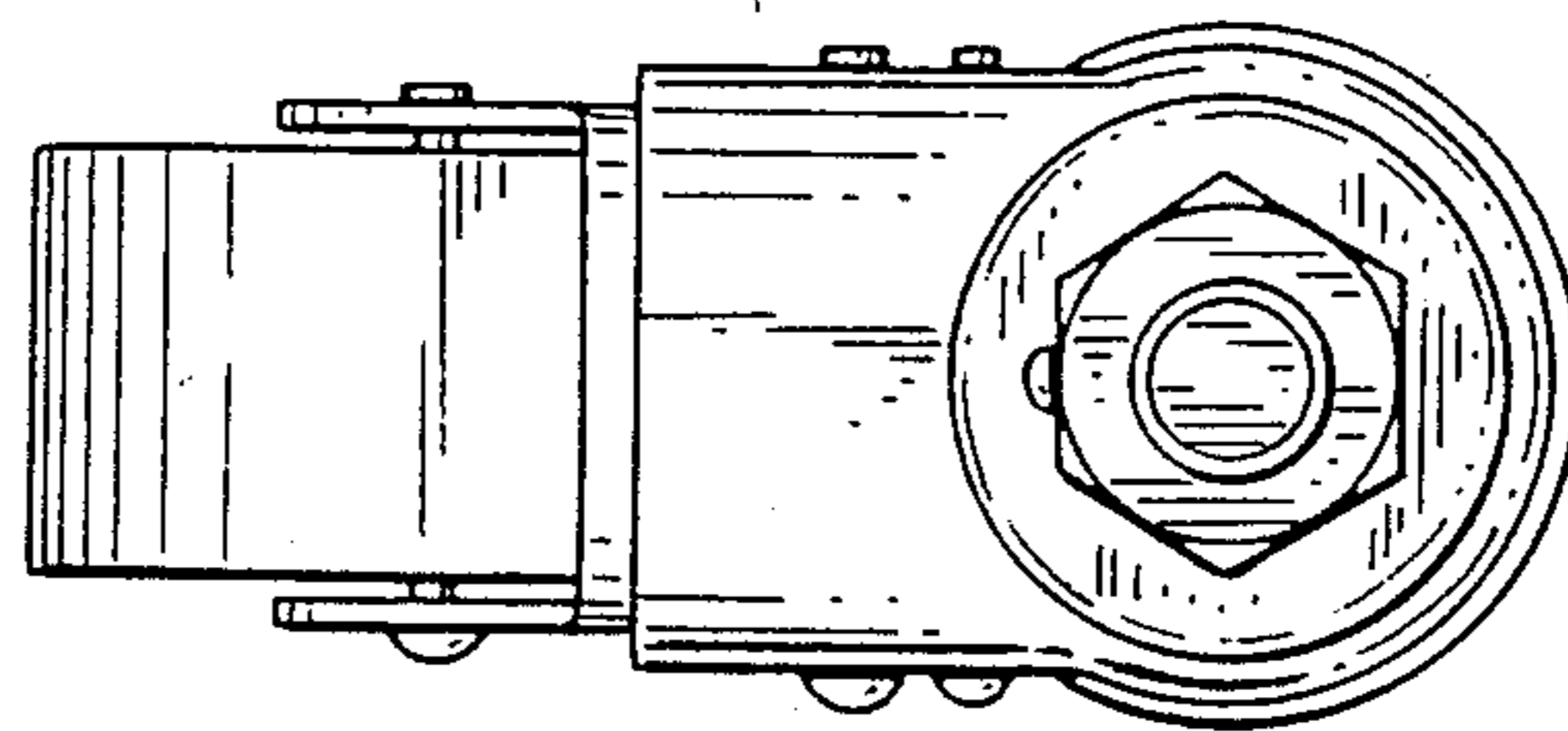


FIG 5

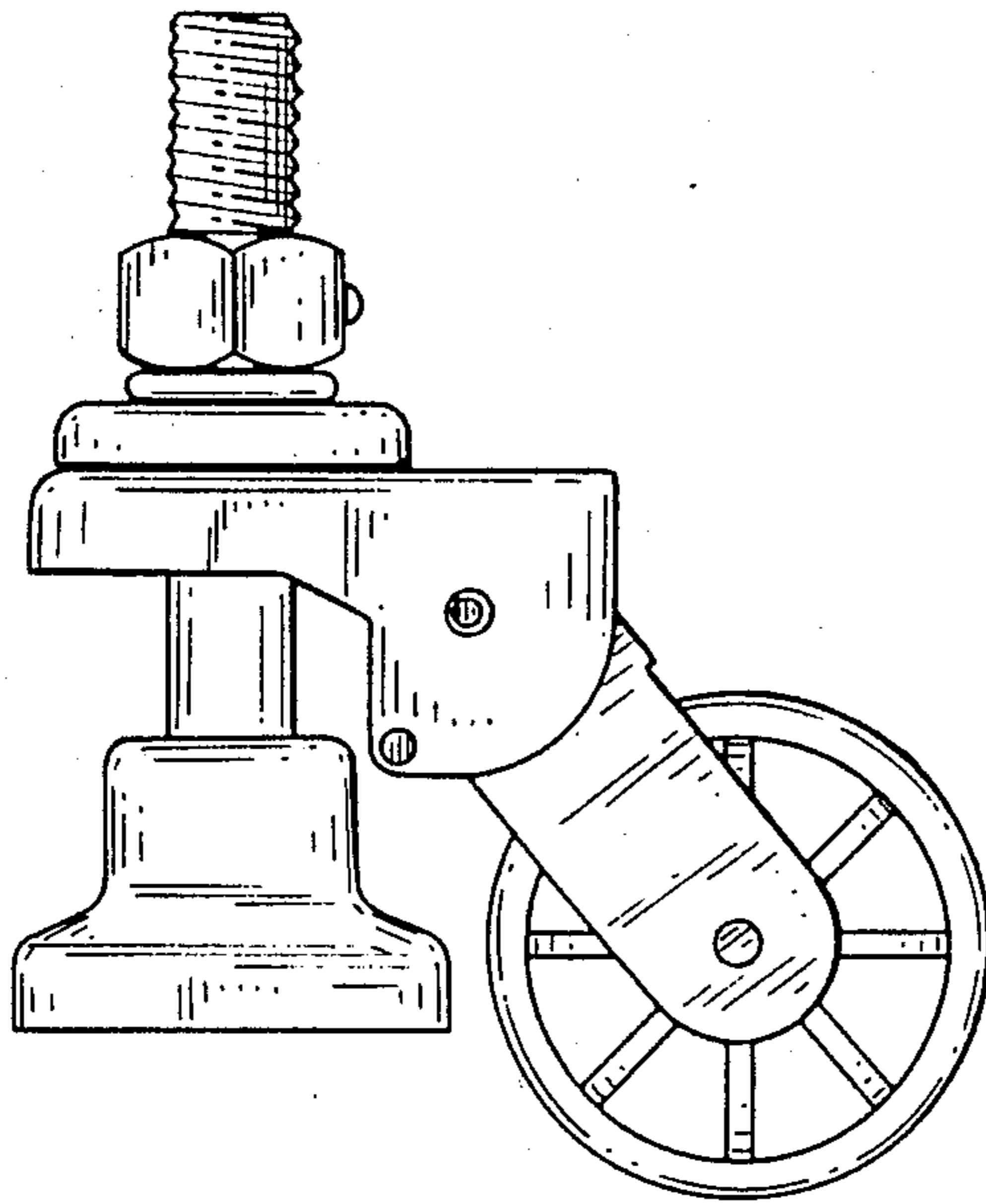


FIG 6

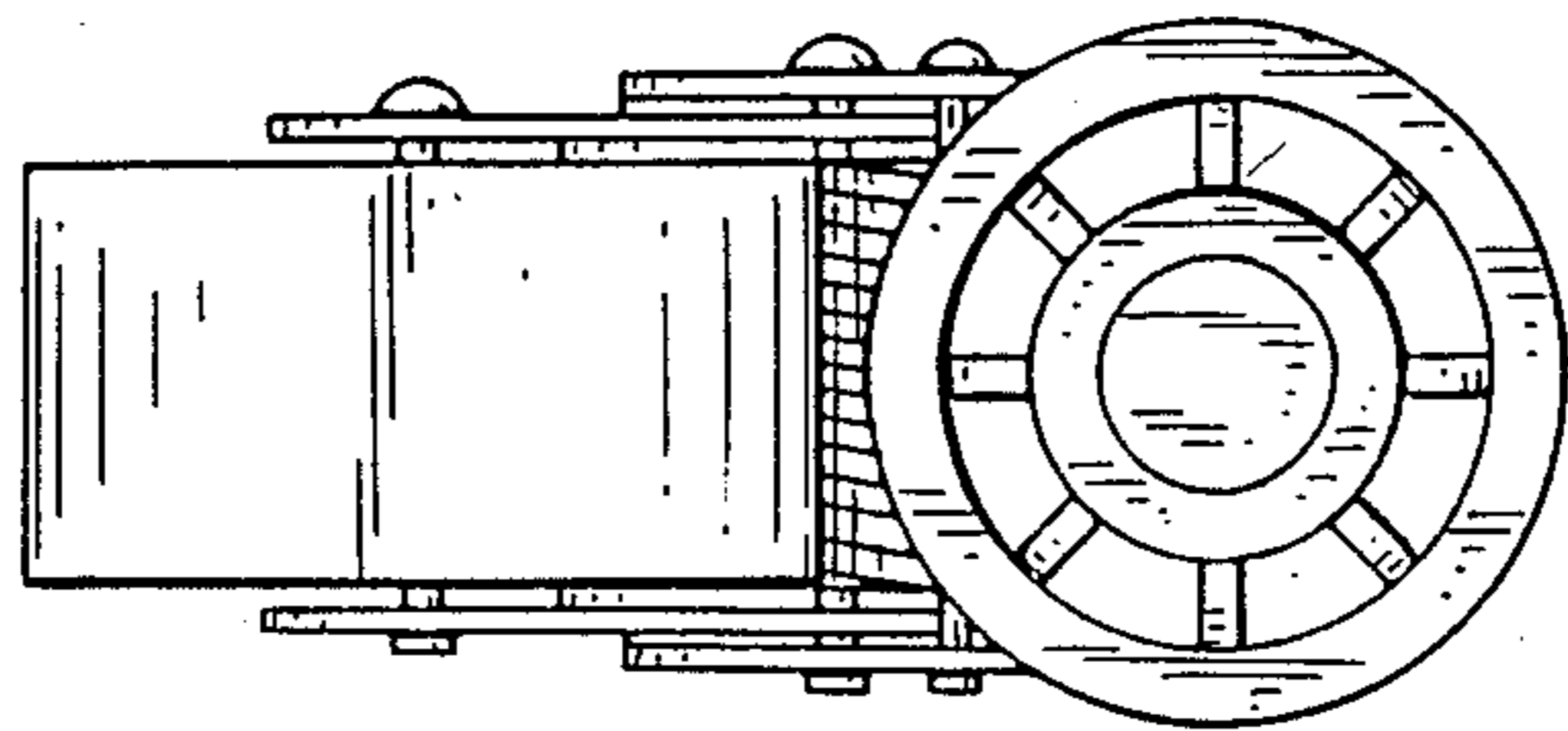


FIG 7

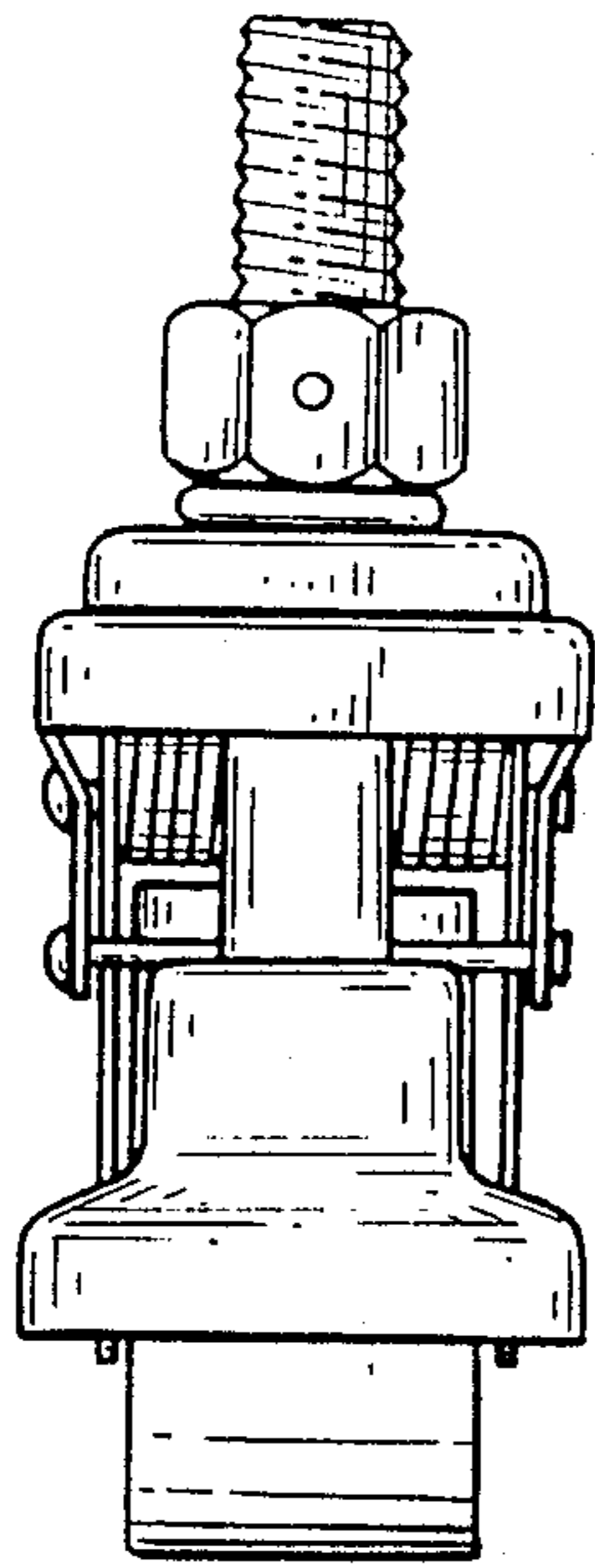


FIG 8

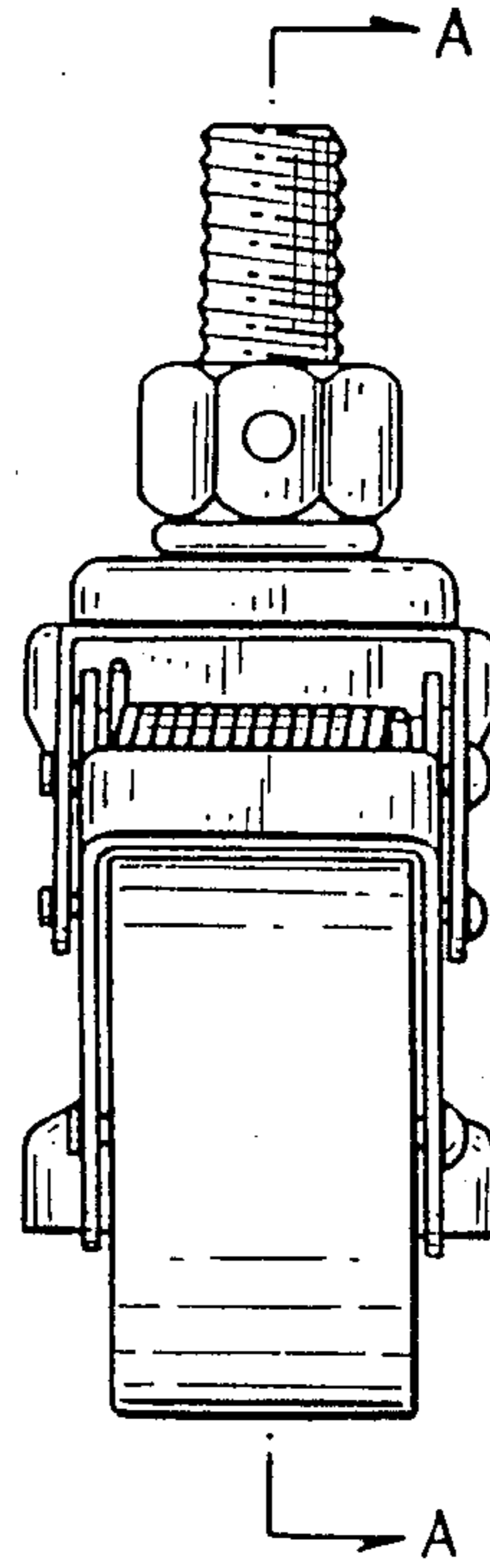


FIG 9

