

[54] **ELECTRONIC TIME LOCK FOR VAULT DOORS AND THE LIKE**

[56] **References Cited**

U.S. PATENT DOCUMENTS

D. 295,255	4/1988	Mauch	D8/330
D. 299,905	2/1989	Fish et al.	D8/331
3,187,528	6/1965	Check	70/288

[76] **Inventors: Scott F. Von Bergen, 10A Chemin du Levant, 1299 Crans-Pres-Celigny, Switzerland; Michael T. Ralph, Oakhirst, 253 Birchfield Rd., Redditch, Worcestershire B97 4LX, England**

Primary Examiner—Wallace R. Burke
Assistant Examiner—Brian N. Vinson
Attorney, Agent, or Firm—Mason, Fenwick & Lawrence

[**] **Term: 14 Years**

[57] **CLAIM**

The ornamental design for an electronic time lock for vault doors and the like, as shown and described.

[21] **Appl. No.: 154,108**

DESCRIPTION

[22] **Filed: Feb. 9, 1988**
[52] **U.S. Cl. D8/331; D99/43**
[58] **Field of Search D8/330-332; D99/28, 43, 57; 70/91, 101-102, 158, 266, 272, 288**

FIG. 1 is a perspective view of an electronic time lock for vault doors or the like showing my new design; FIG. 2 is a front elevational view thereof; FIG. 3 is a top plan view thereof; FIG. 4 is a left side elevational view thereof; FIG. 5 is a right side elevational view thereof; FIG. 6 is a rear elevational view thereof; and FIG. 7 is a bottom plan view thereof.

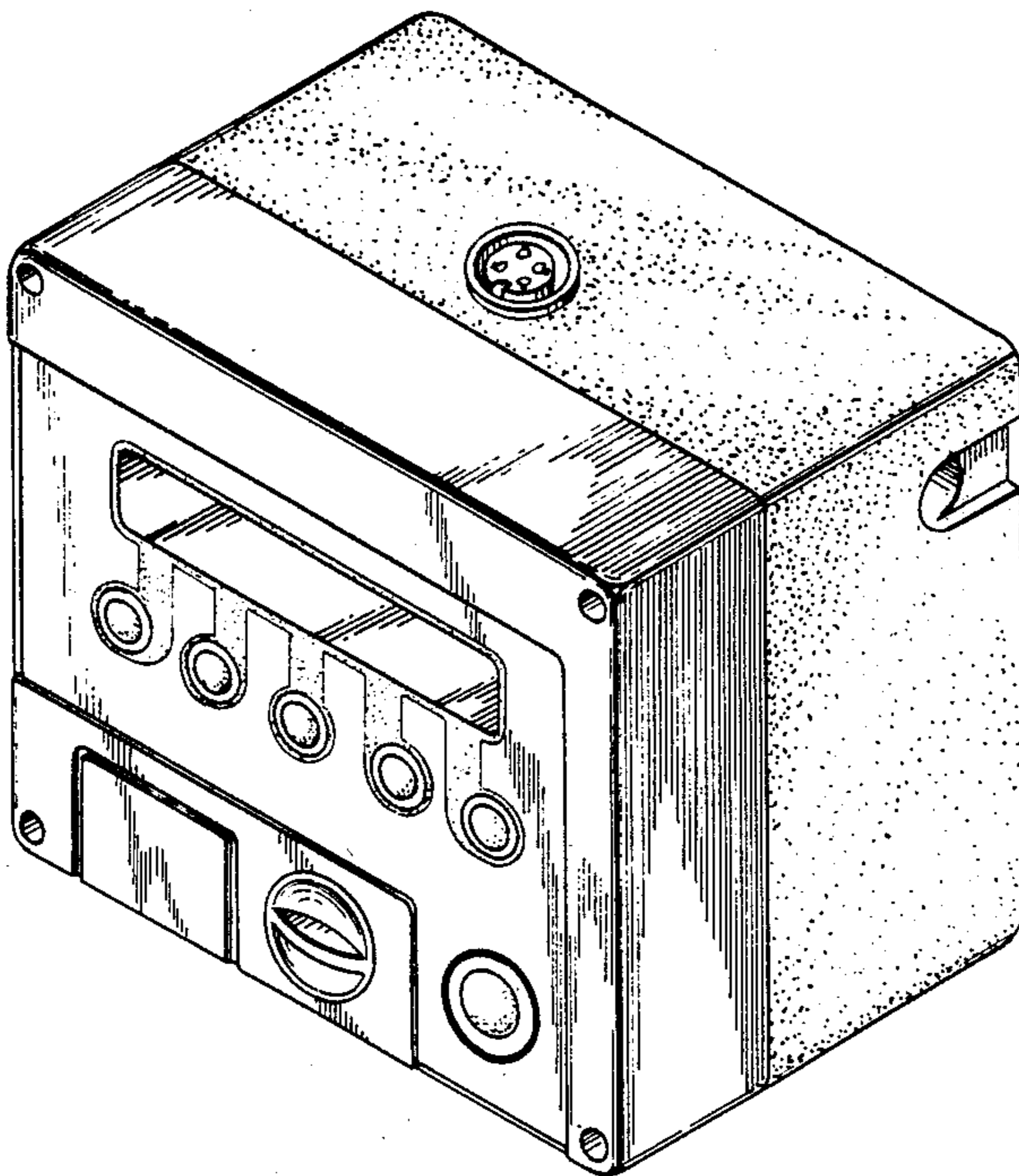


FIG-1

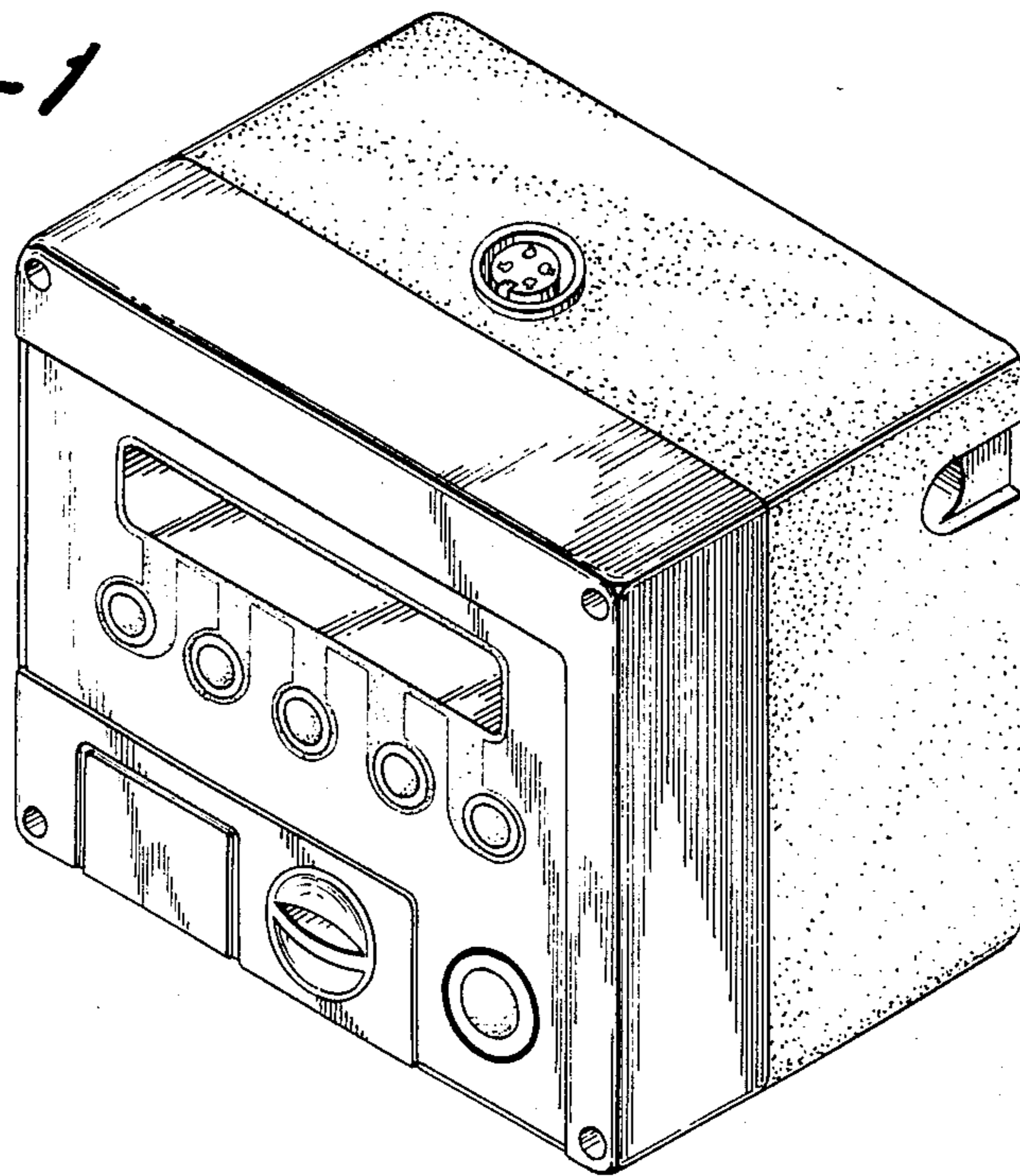


FIG-2

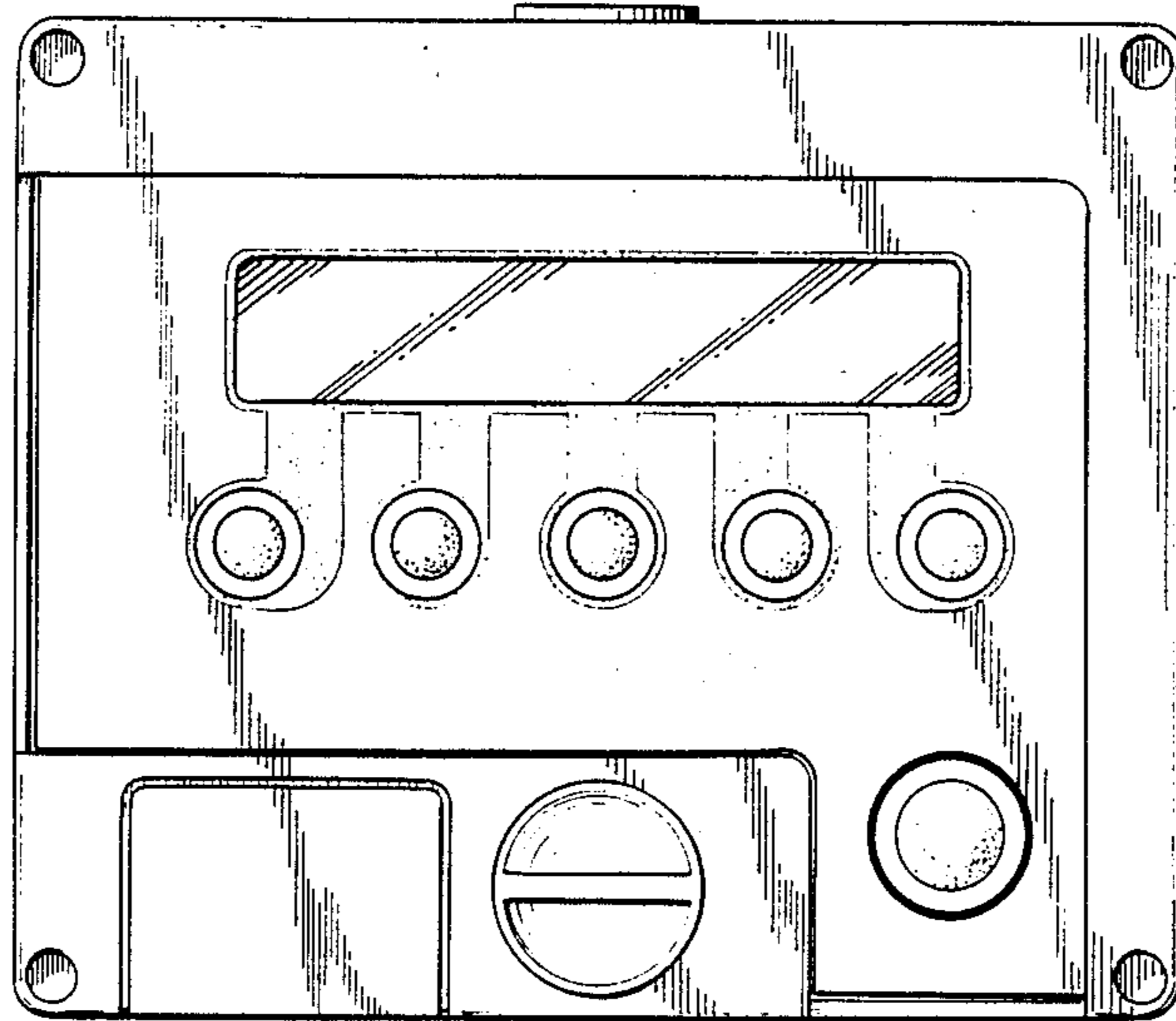


FIG-3

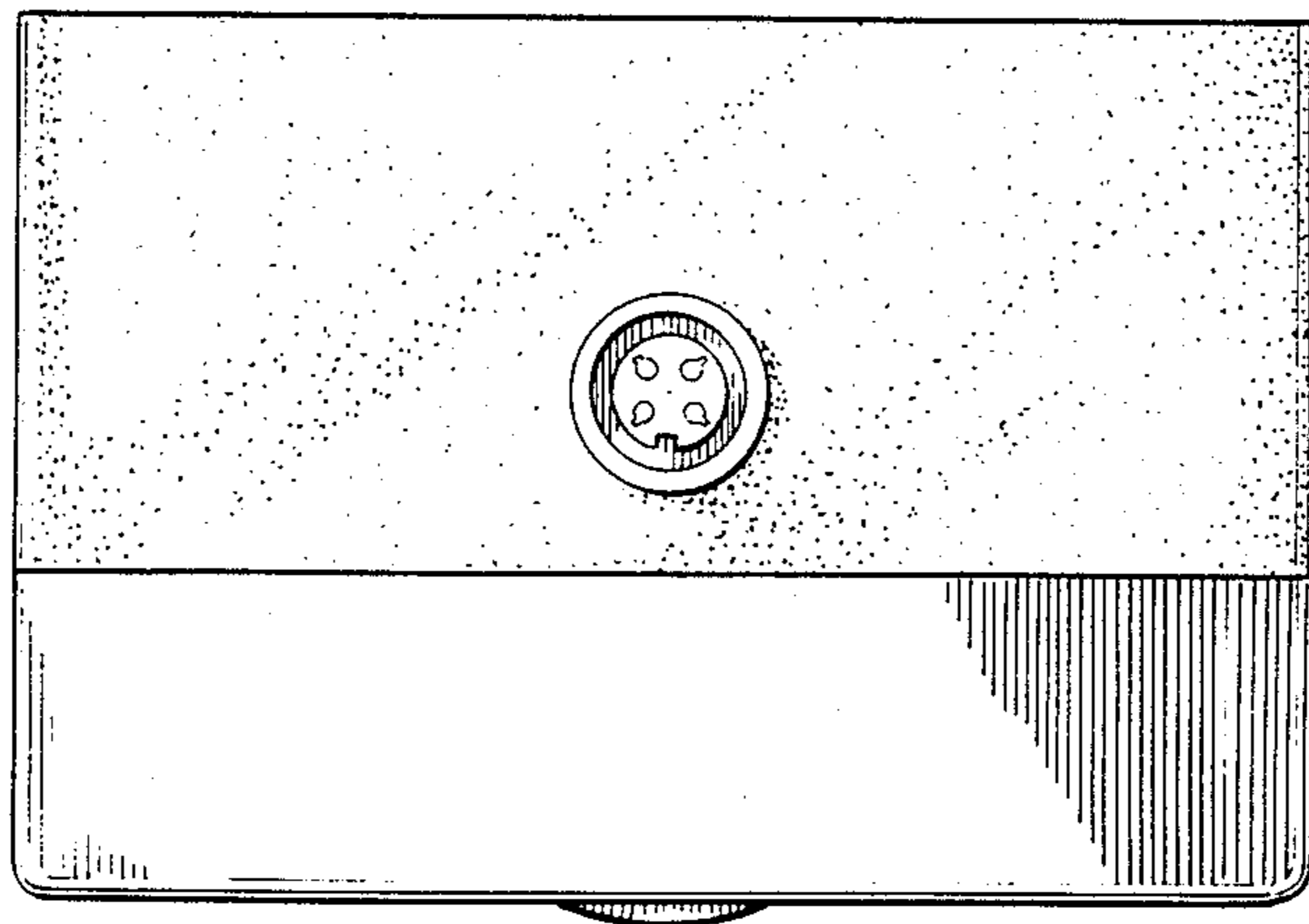


FIG-4

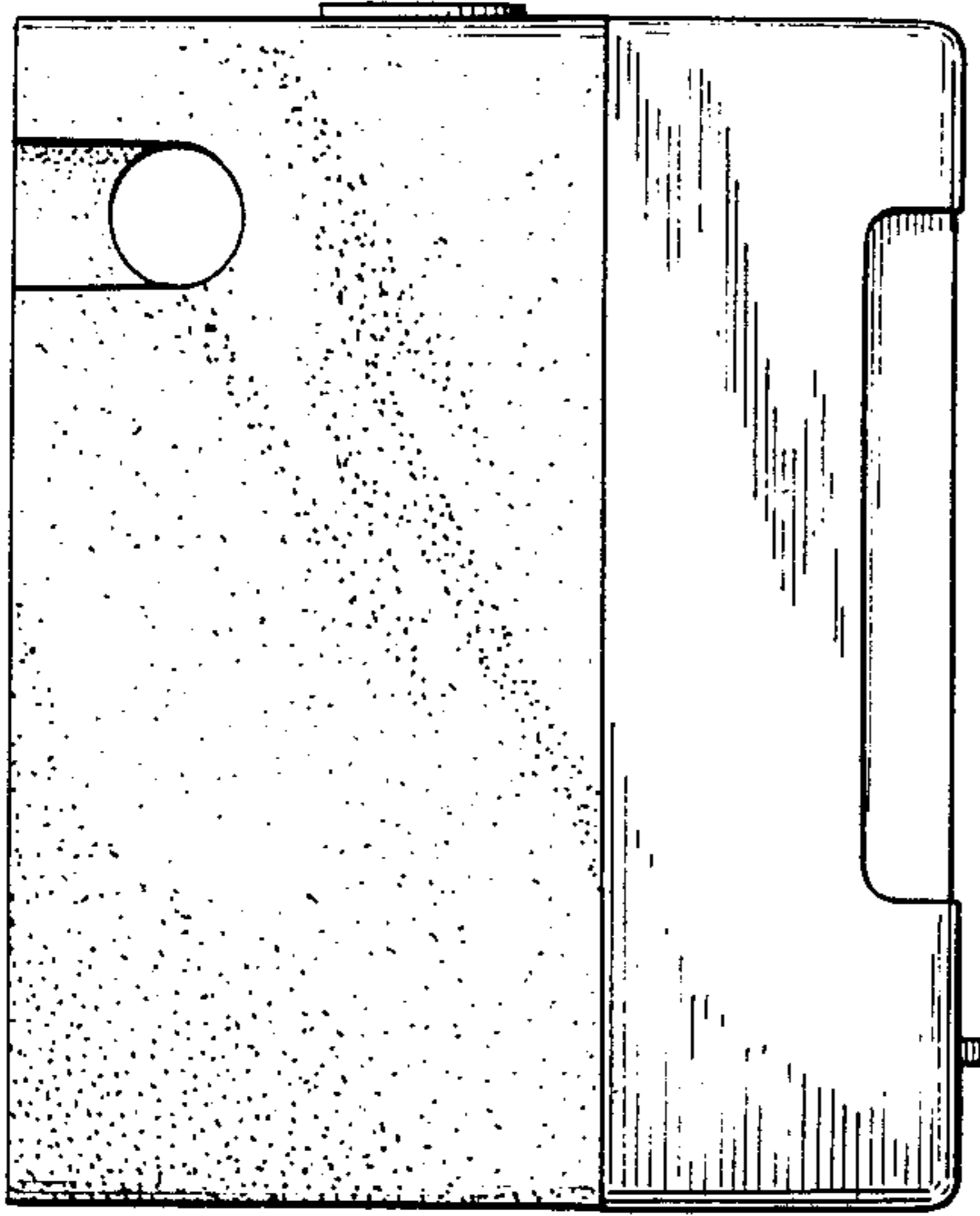


FIG-5

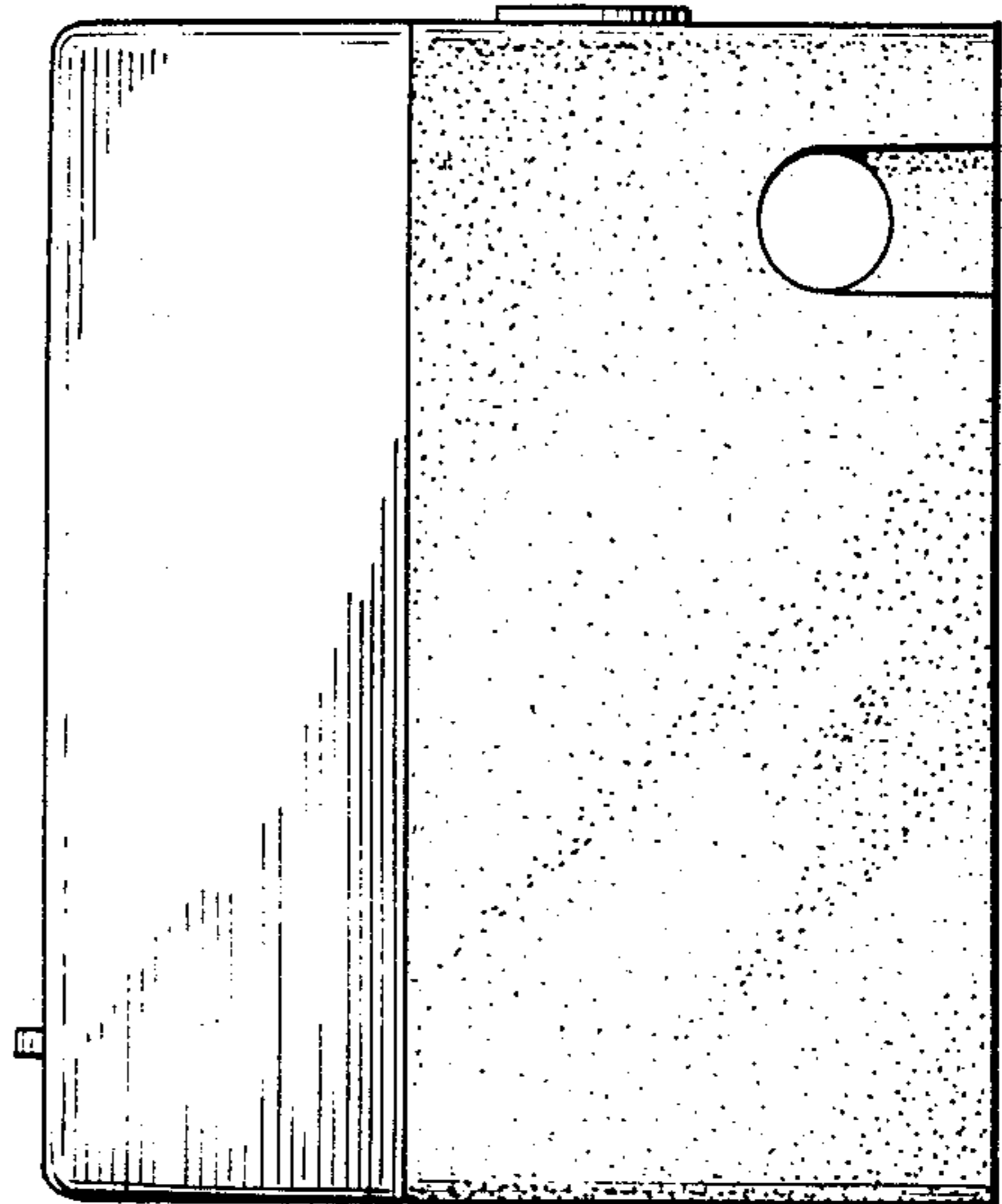


FIG-6

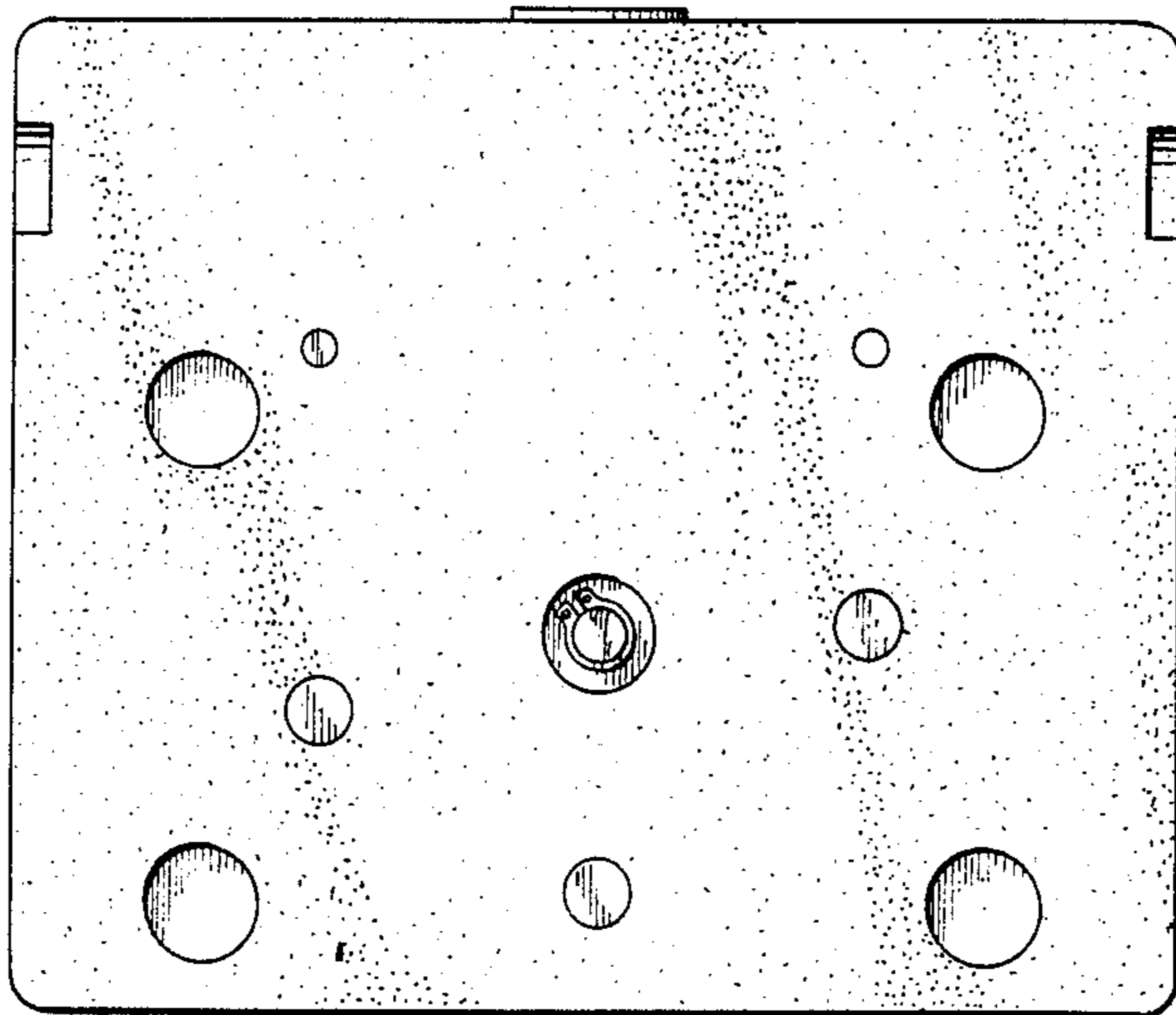


FIG-7

