

[54] ENVELOPE OPENER

[75] Inventor: Neil E. Koenig, St. Louis County, Mo.

[73] Assignee: Quick Point, Inc., Fenton, Mo.

[\*\*] Term: 14 Years

[21] Appl. No.: 34,322

[22] Filed: Feb. 24, 1987

[52] U.S. Cl. .... D8/102

[58] Field of Search ..... D8/102, 98; 30/DIG. 3, 30/294, 289, 314-317, 2

[56] References Cited

U.S. PATENT DOCUMENTS

- 2,291,294 7/1942 Holste ..... 30/DIG. 3 X
- 3,028,670 4/1962 Tilly ..... 30/DIG. 3 X

OTHER PUBLICATIONS

Quick Point Catalog, 1981, p. 30, Envelope Opener. Quick Point Envelope Opener picture, Applicant Assignee, date unknown.

Primary Examiner—Bernard Ansher  
Assistant Examiner—Terry A. Pfeffer  
Attorney, Agent, or Firm—Graveley, Lieder & Woodruff

[57] CLAIM

The ornamental design for an envelope opener, as shown.

DESCRIPTION

FIG. 1 is a top, front, right side perspective view of an envelope opener showing my new design; FIG. 2 is a left side elevational view thereof; FIG. 3 is a front elevational view thereof; FIG. 4 is a rear elevational view thereof; and FIG. 5 is a sectional view taken along line 5—5 of FIG. 1.

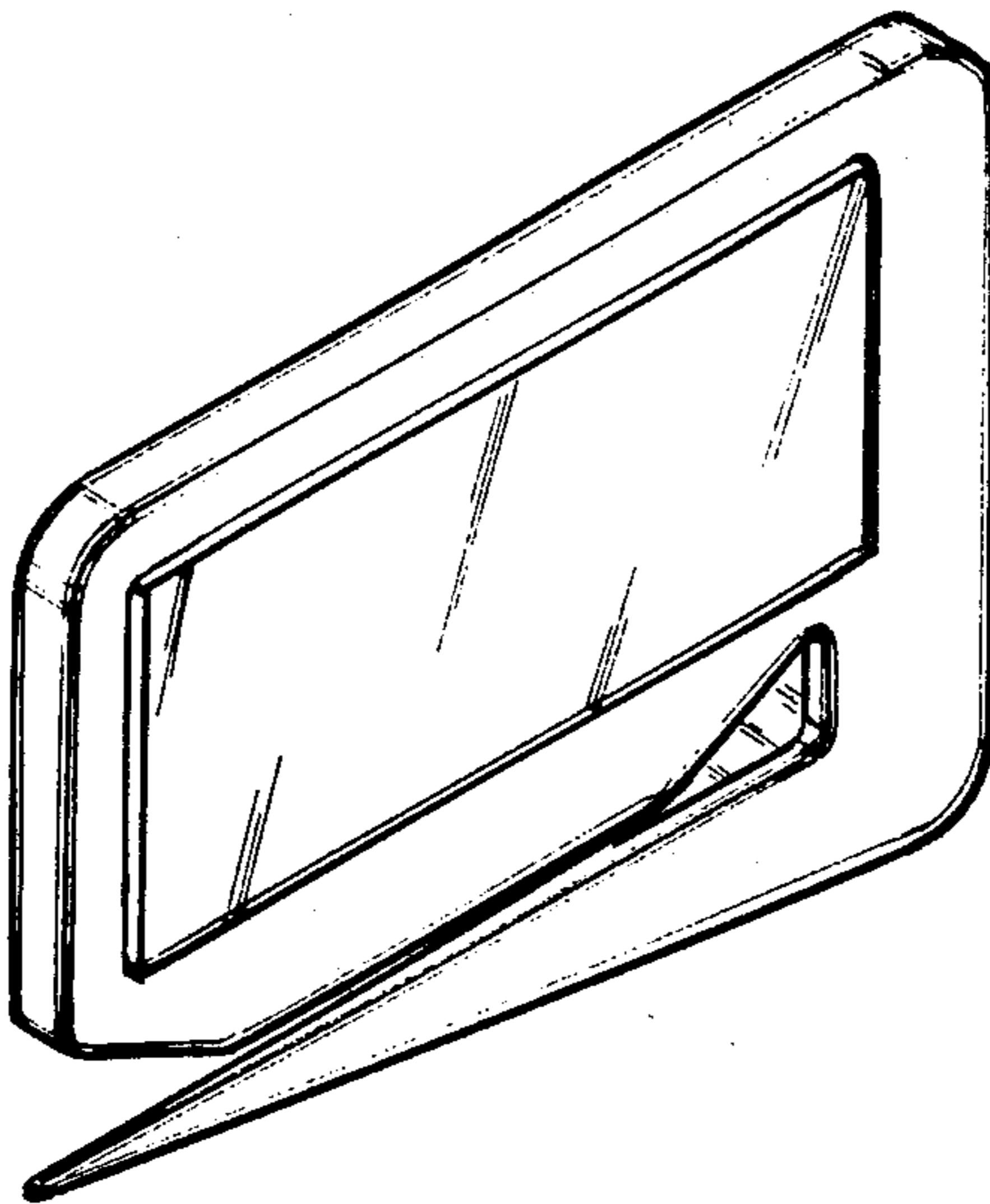


FIG. 1

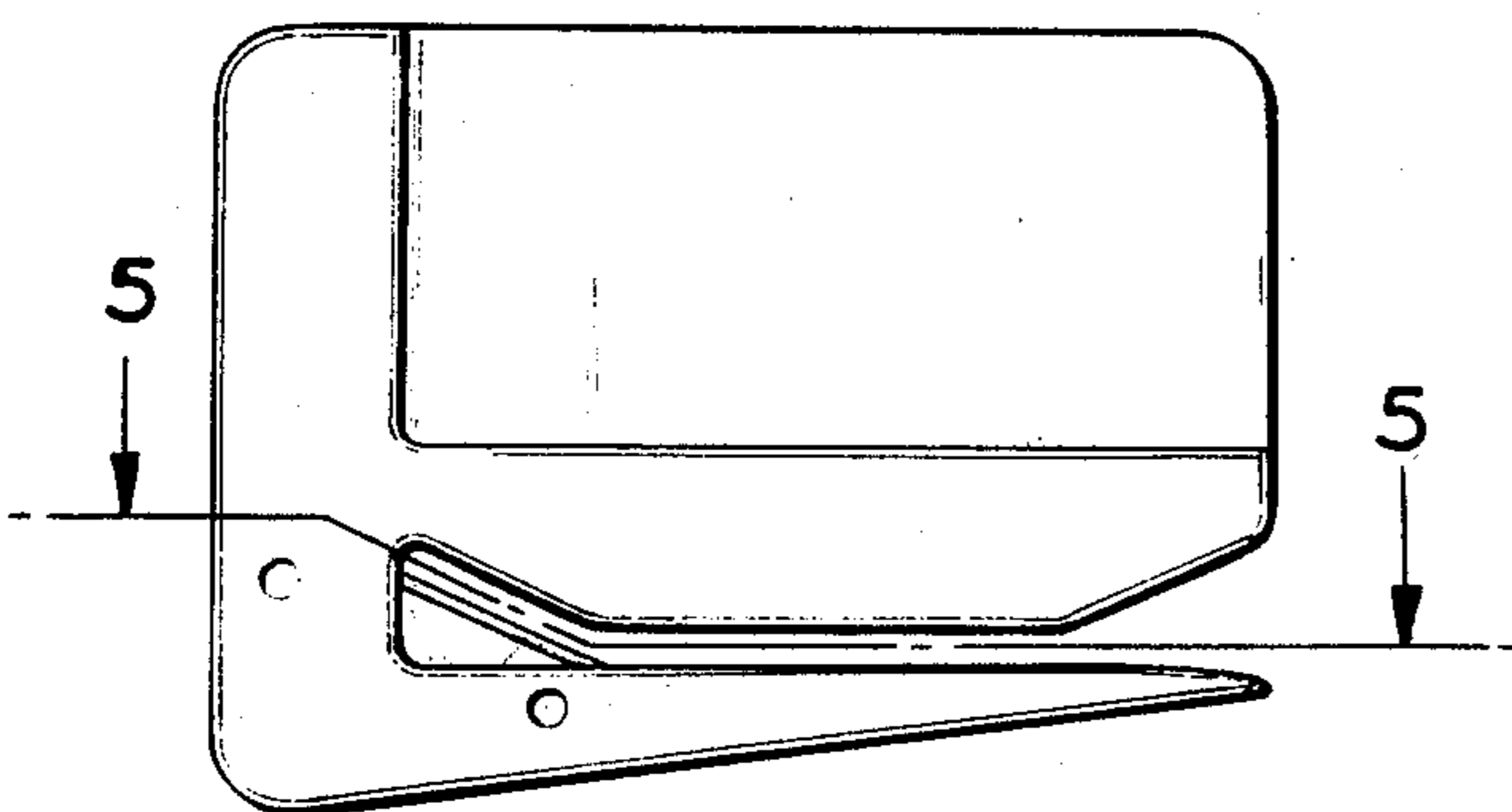
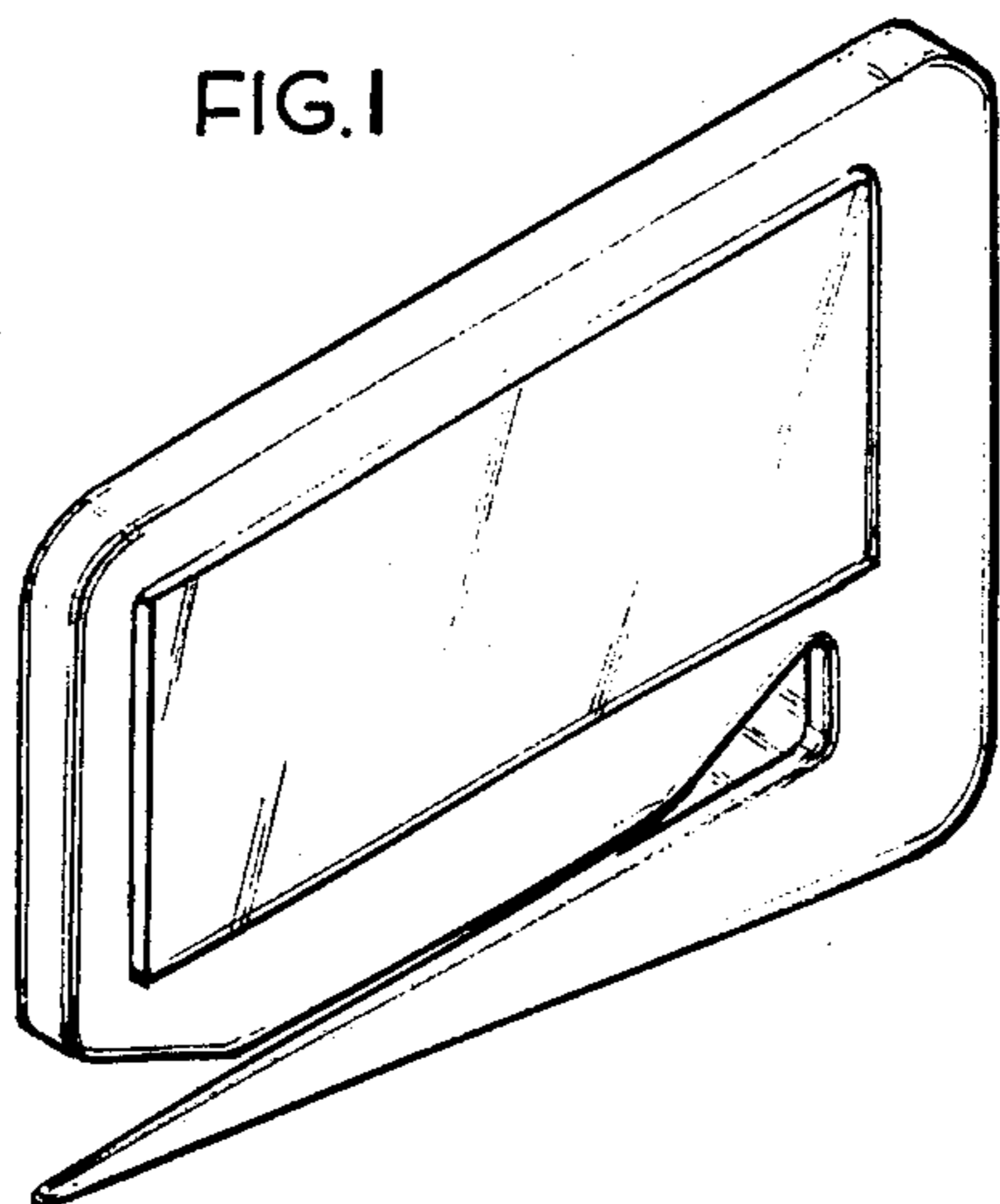


FIG. 2



FIG. 3



FIG. 4

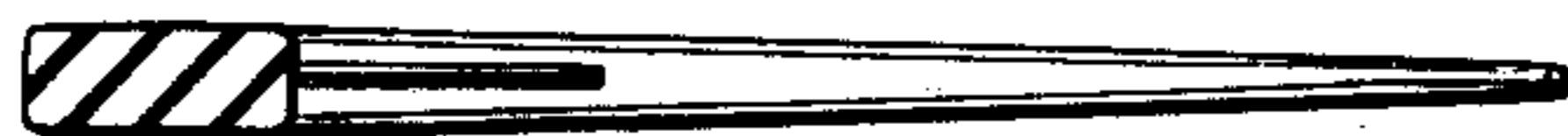


FIG. 5