

United States Patent [19]

Malochet

[11] Patent Number: **Des. 306,393**

[45] Date of Patent: **** Mar. 6, 1990**

[54] **POCKET KNIFE**

[75] Inventor: **Paul Malochet, Thiers, France**

[73] Assignee: **Wichard, Thiers, France**

[**] Term: **14 Years**

[21] Appl. No.: **52,367**

[22] Filed: **May 19, 1987**

[30] **Foreign Application Priority Data**

Jan. 20, 1987 [IB] Int'l Pat. Institute DM/008076

[52] U.S. Cl. **D8/99; D8/107**

[58] Field of Search **D8/95-102, D8/107; D22/118; 30/155-163; 7/340, 112, 118, 119, 158**

[56] **References Cited**

U.S. PATENT DOCUMENTS

D. 172,377 6/1954 Woofter D8/99

D. 280,178 8/1985 Lang D8/99
702,968 6/1902 Kinney 30/155
4,177,560 12/1979 Sakurai 30/160

Primary Examiner—Bruce W. Dunkins
Assistant Examiner—Clare E. Heflin
Attorney, Agent, or Firm—Young & Thompson

[57] **CLAIM**

The ornamental design for a pocket knife, as shown and described.

DESCRIPTION

FIG. 1 is a perspective view of a pocket knife showing my new design;
FIG. 2 is a side elevational view thereof;
FIG. 3 is a top plan view thereof;
FIG. 4 is a bottom plan view thereof;
FIG. 5 is an end view thereof taken from the left of FIG. 2; and
FIG. 6 is an end view thereof taken from the right of FIG. 2.

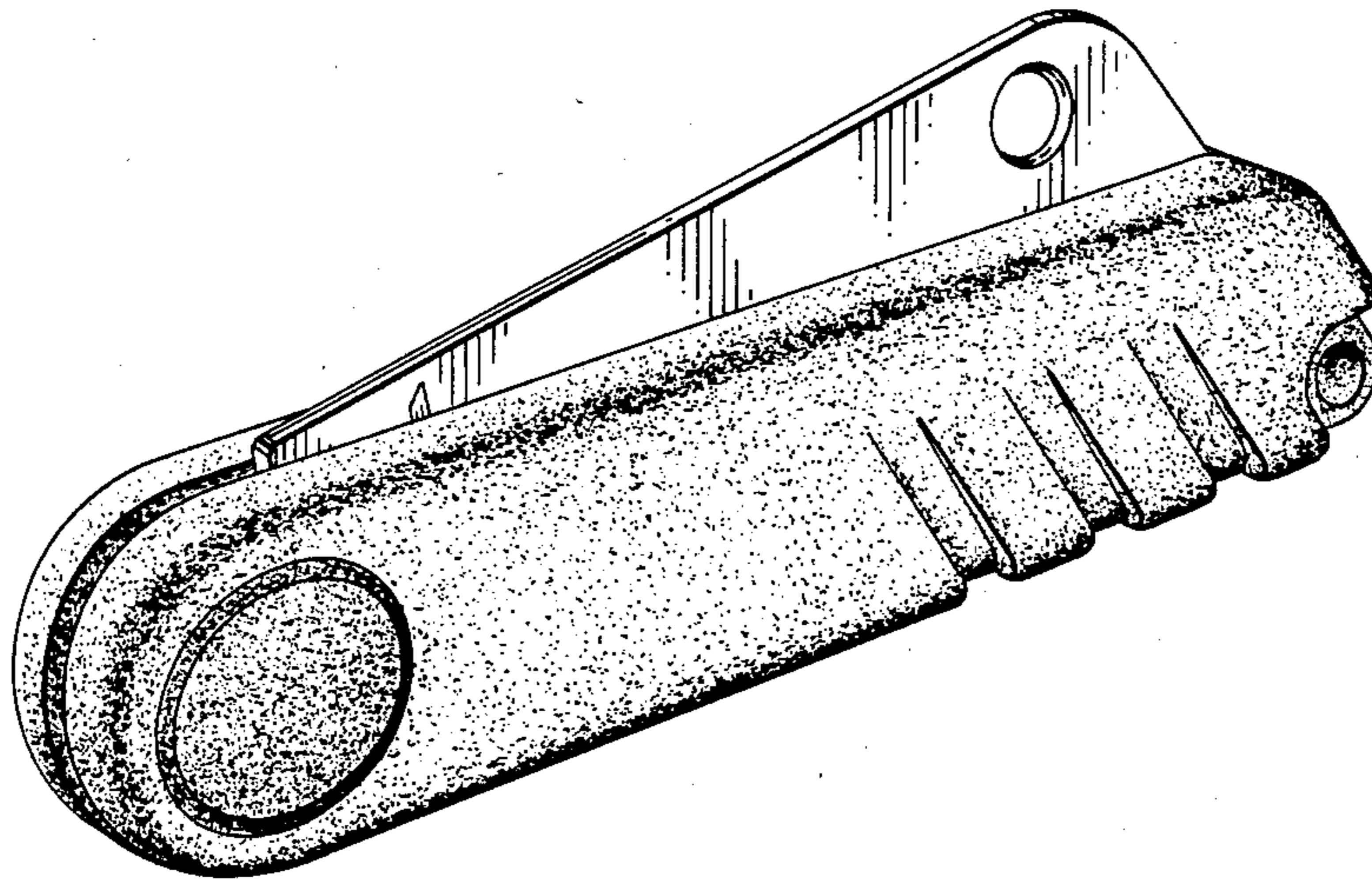


FIG. 1

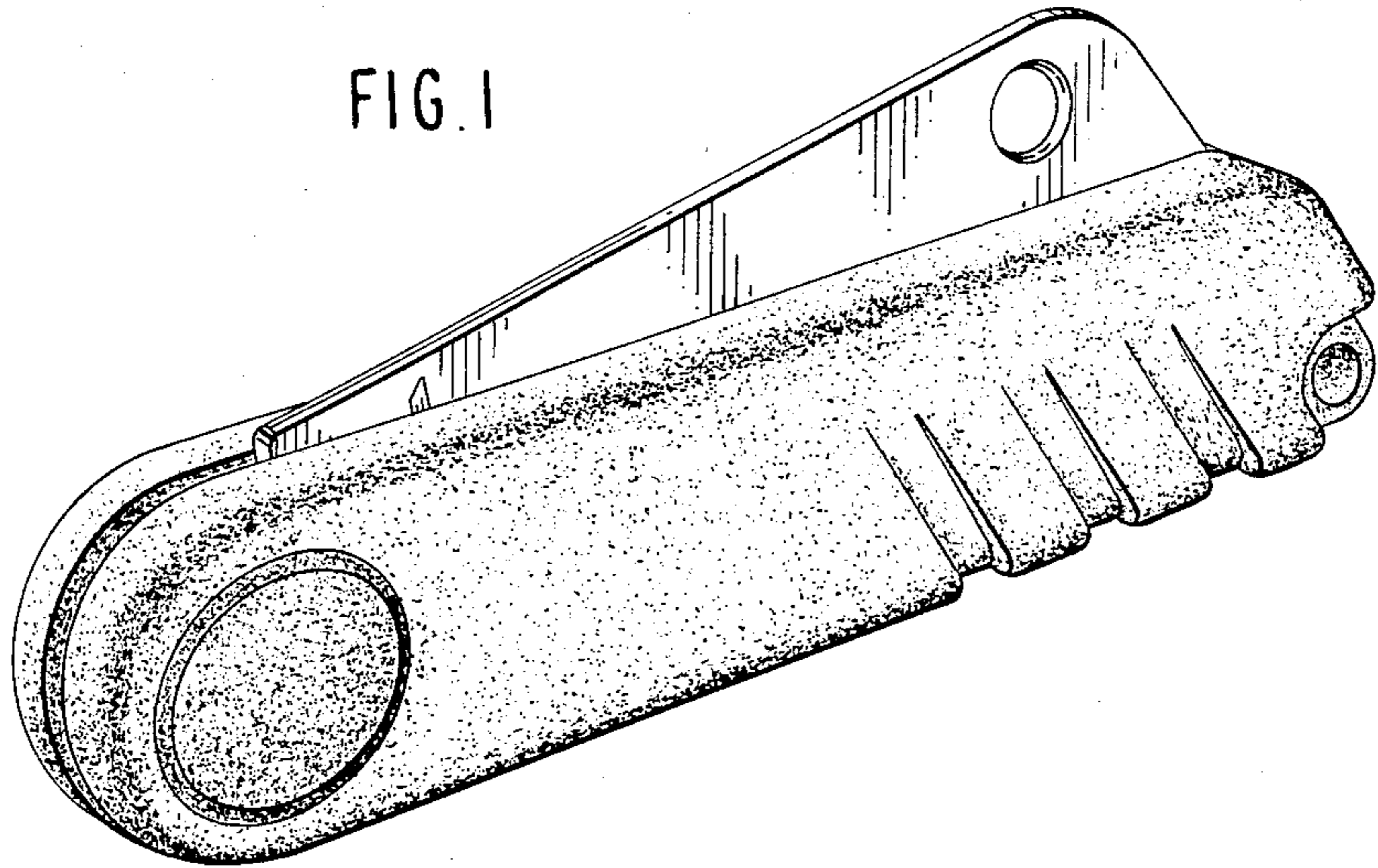


FIG. 2

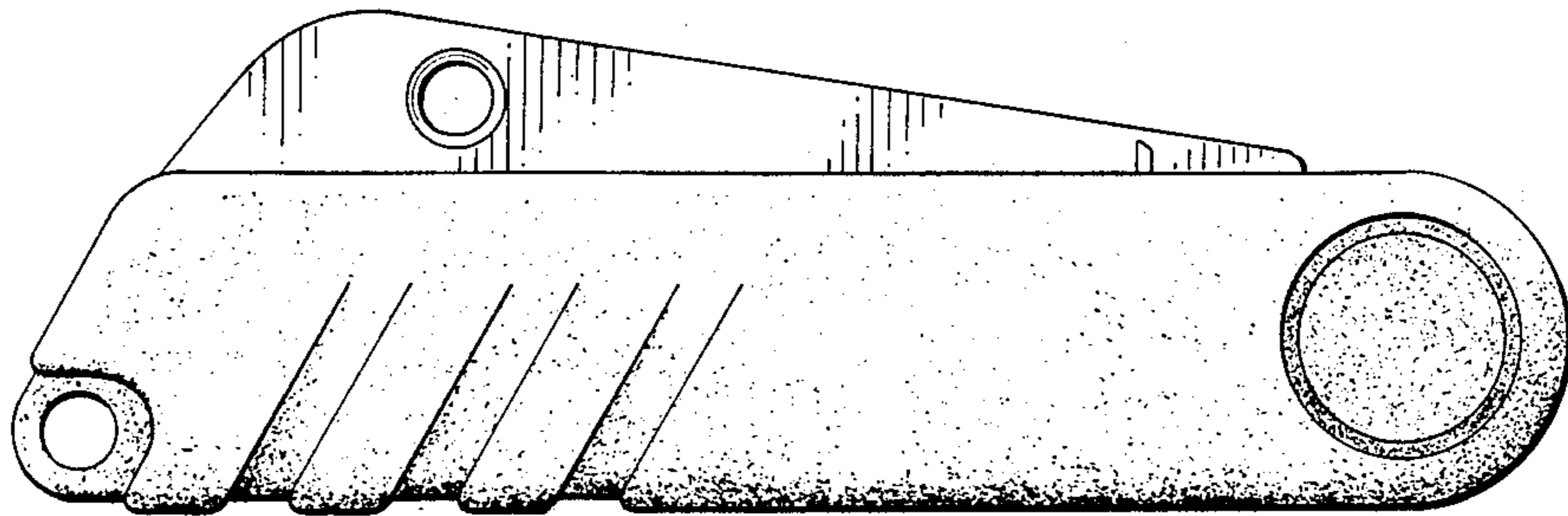


FIG. 3

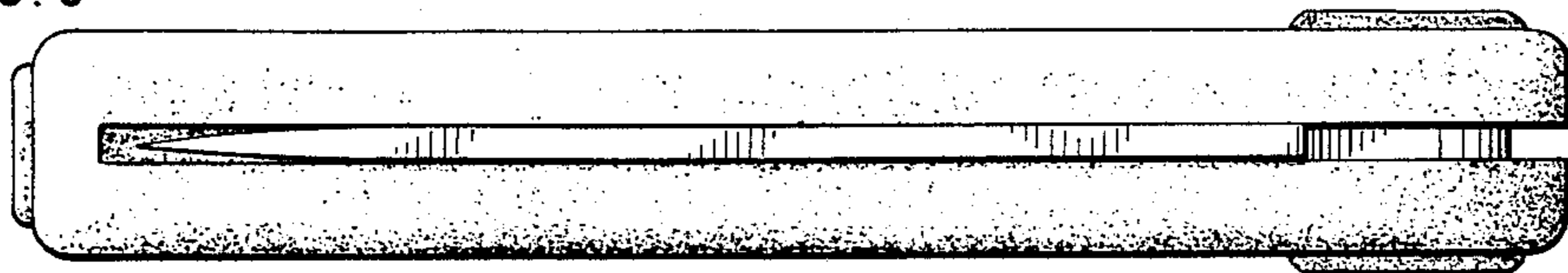


FIG. 4

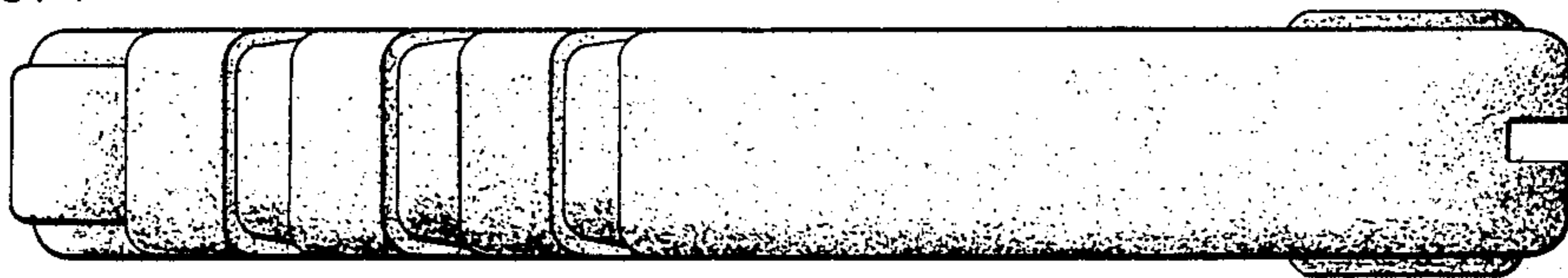


FIG. 5

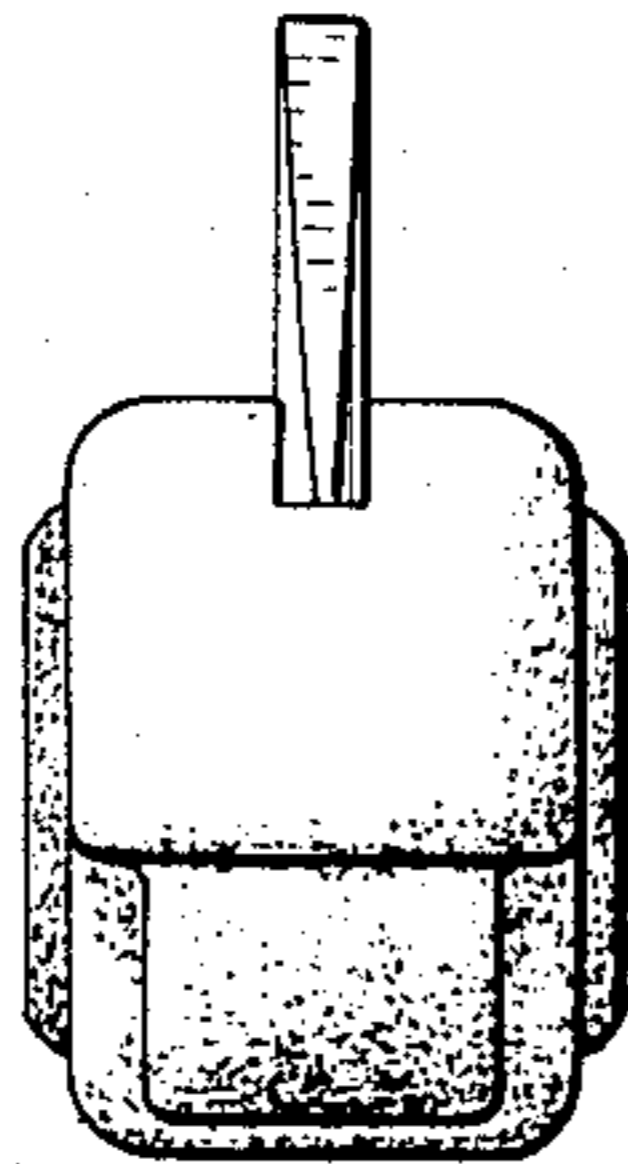


FIG. 6

