

[54] **PIPE CUTTER**

[76] **Inventor: Richard B. Honeycutt, 1333 Gabriel Dr., Norfolk, Va. 23502**

[\*\*] **Term: 14 Years**

[21] **Appl. No.: 857,830**

[22] **Filed: Apr. 28, 1986**

[52] **U.S. Cl. .... D8/60; D8/51; D8/98**

[58] **Field of Search ..... D8/14, 51, 98-100, D8/107, 60; 30/95, 96, 101, 102, 292-294**

[56] **References Cited**

**U.S. PATENT DOCUMENTS**

2,425,093 8/1947 Fosler ..... 30/96  
4,103,419 8/1978 Matthews et al. .... 30/95  
4,305,205 12/1981 Giralda ..... 30/101

**FOREIGN PATENT DOCUMENTS**

34499 6/1885 Fed. Rep. of Germany ..... 30/101  
141682 6/1903 Fed. Rep. of Germany ..... 30/102  
24695 of 1901 United Kingdom ..... 30/90.7

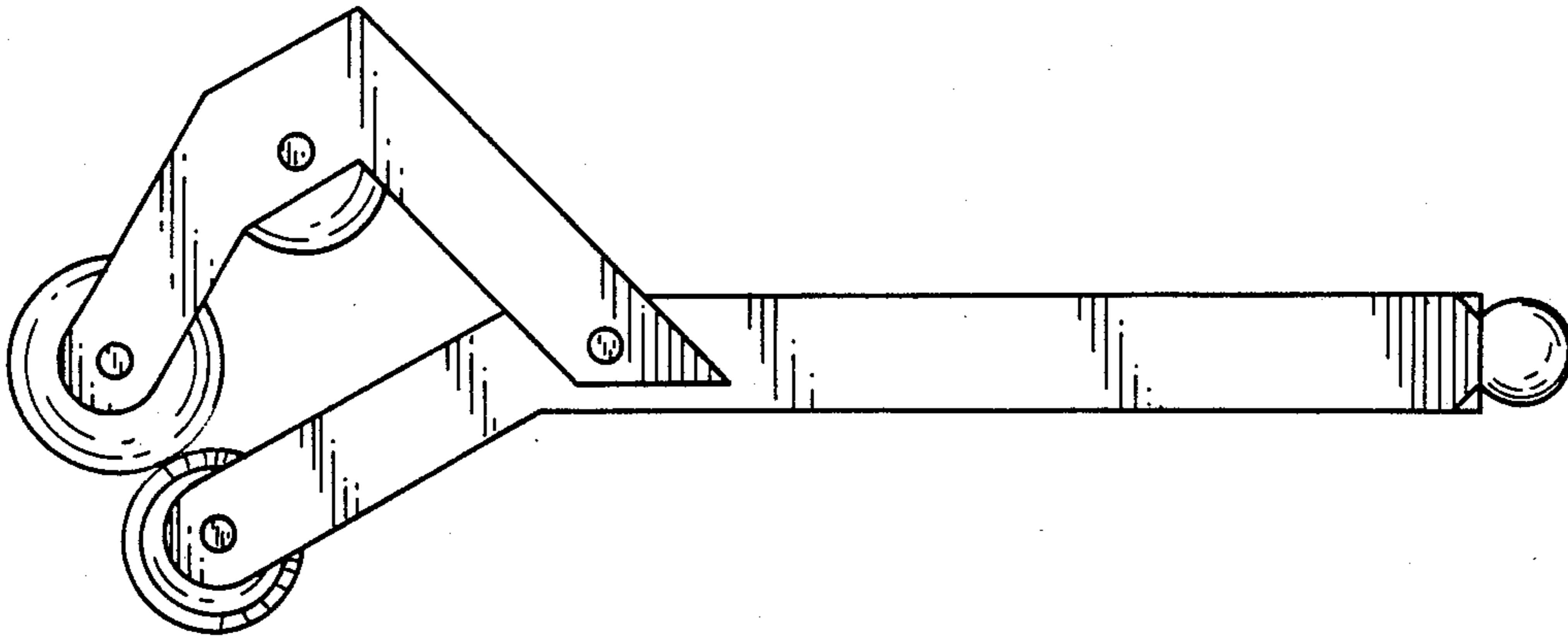
*Primary Examiner*—Nelson C. Holtje  
*Assistant Examiner*—Clare E. Heflin  
*Attorney, Agent, or Firm*—Terry M. Gernstein

[57] **CLAIM**

The ornamental design for a pipe cutter, as shown and described.

**DESCRIPTION**

FIG. 1 is a side elevational view of a pipe cutter showing my new design, the opposite side being a mirror image thereof;  
FIG. 2 is a top plan view thereof;  
FIG. 3 is a bottom plan view thereof;  
FIG. 4 is an end elevational view thereof;  
FIG. 5 is an opposite end elevational view thereof;  
FIG. 6 is a right end fragmentary perspective view thereof.



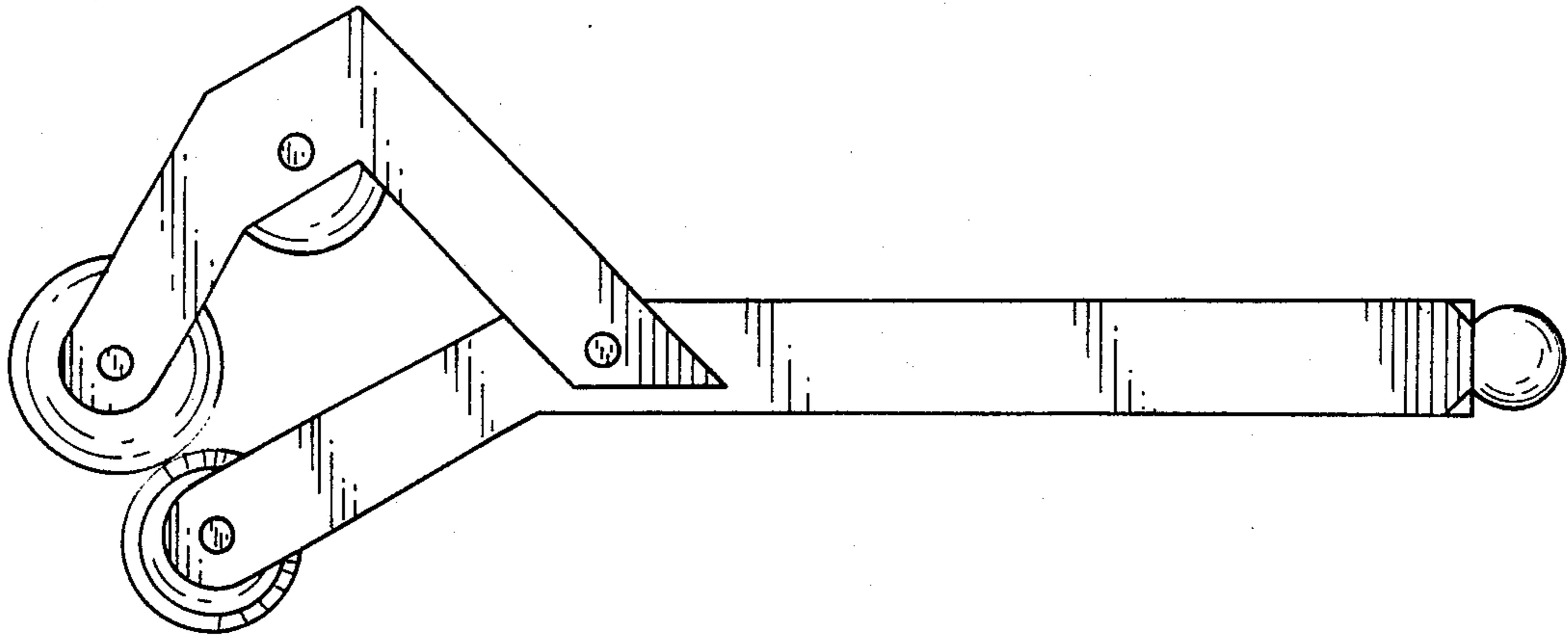


Fig. 1

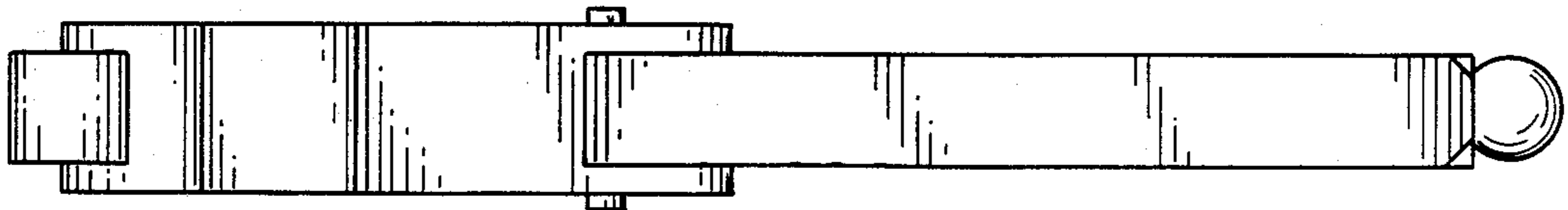


Fig. 2

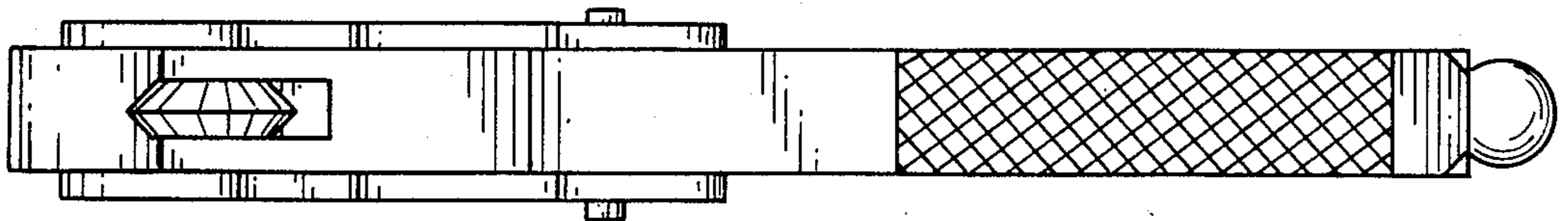


Fig. 3

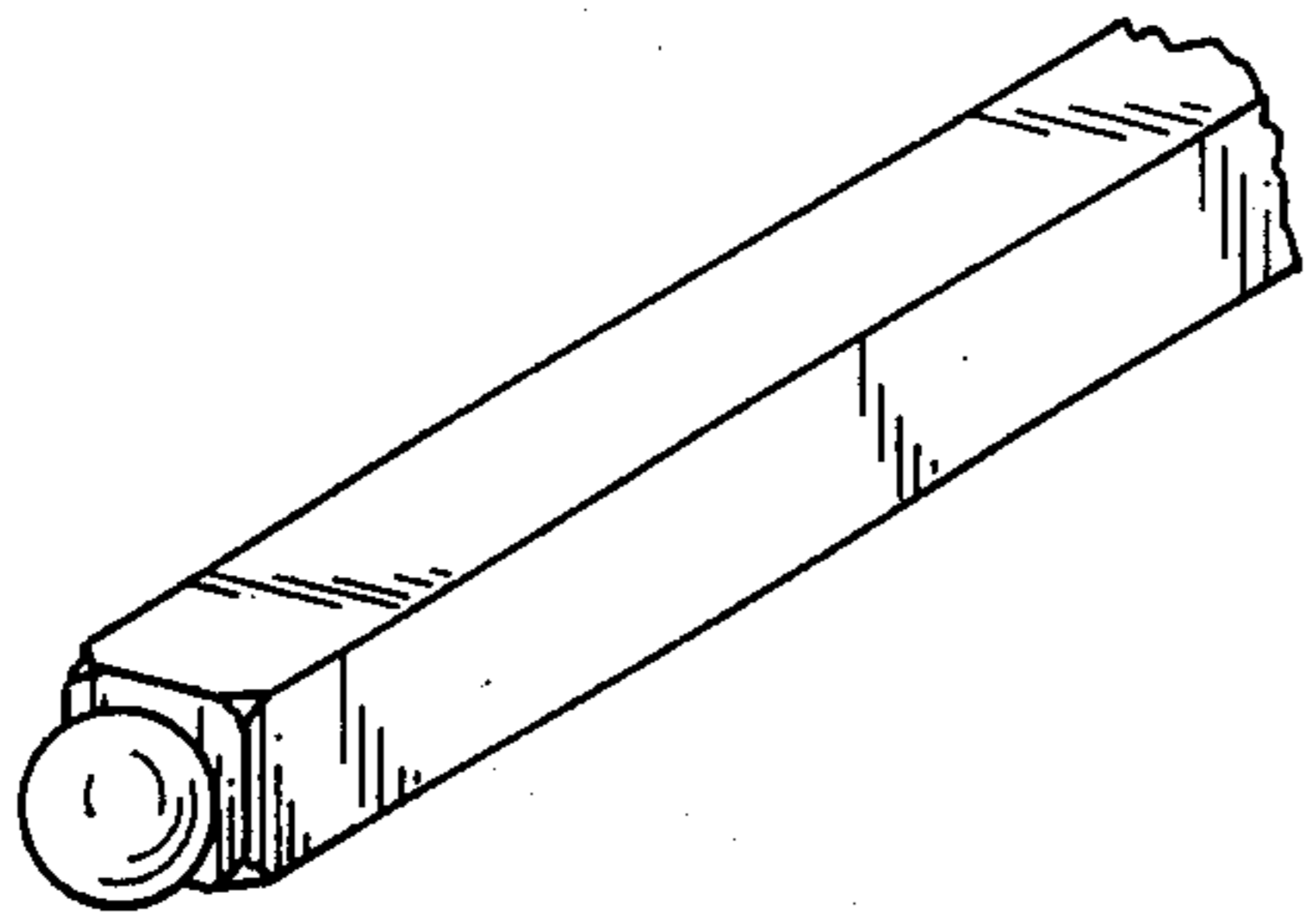


Fig. 6

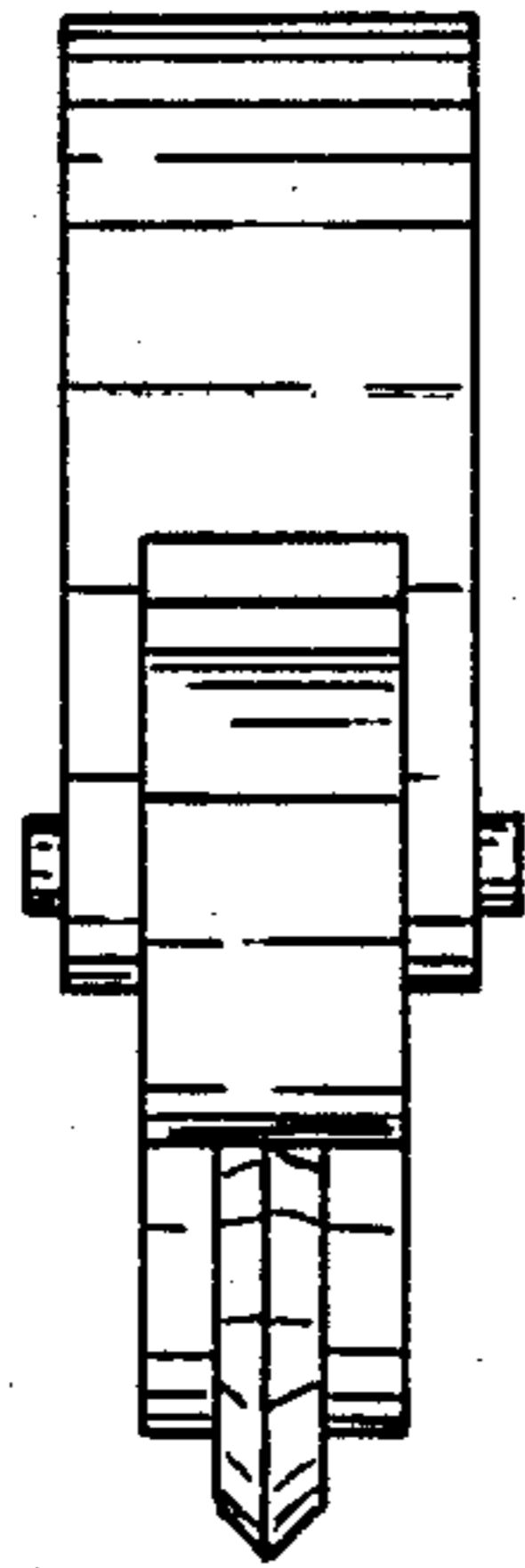


Fig. 4

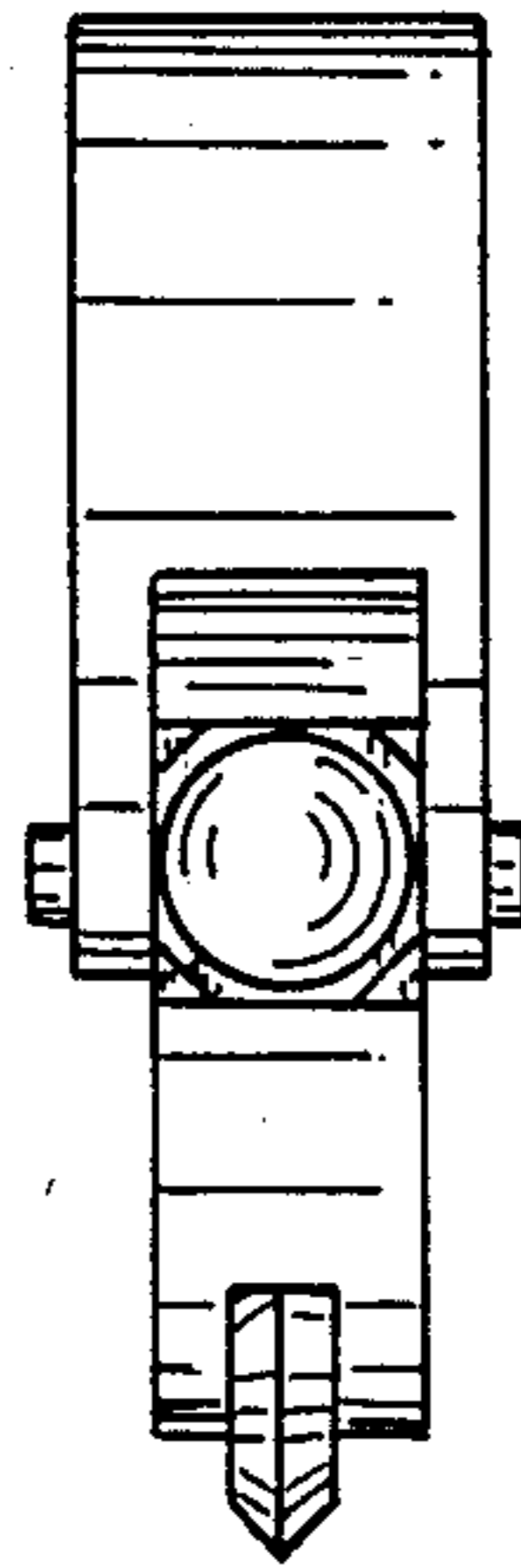


Fig. 5