

[54] **STAPLER**

[76] **Inventor: Tsung-Hsiung Huang, No. 12, Alley 1, Lane 253, Sec. 5, Chung-Jung Rd., Tainan, Taiwan**

[**] **Term: 14 Years**

[21] **Appl. No.: 136,871**

[22] **Filed: Dec. 22, 1987**

[52] **U.S. Cl. D8/49; D15/122**

[58] **Field of Search D8/49, 50; D15/122, D15/199; 227/99, 107, 46**

[56] **References Cited**

U.S. PATENT DOCUMENTS

877,124 1/1908 Robinson et al. D15/122 X

Primary Examiner—Bernard Ansher
Assistant Examiner—Terry A. Pfeffer
Attorney, Agent, or Firm—Varndell Legal Group

[57] **CLAIM**

The ornamental design for stapler, as shown and described.

DESCRIPTION

FIG. 1 is a top, front, left side perspective view of a stapler showing my new design;
FIG. 2 is a front elevational view my new design;
FIG. 3 is a rear elevational view thereof;
FIG. 4 is a right side elevational view thereof;
FIG. 5 is a left side elevational view thereof.
FIG. 6 is a top plan view thereof; and
FIG. 7 is a bottom plan view thereof.

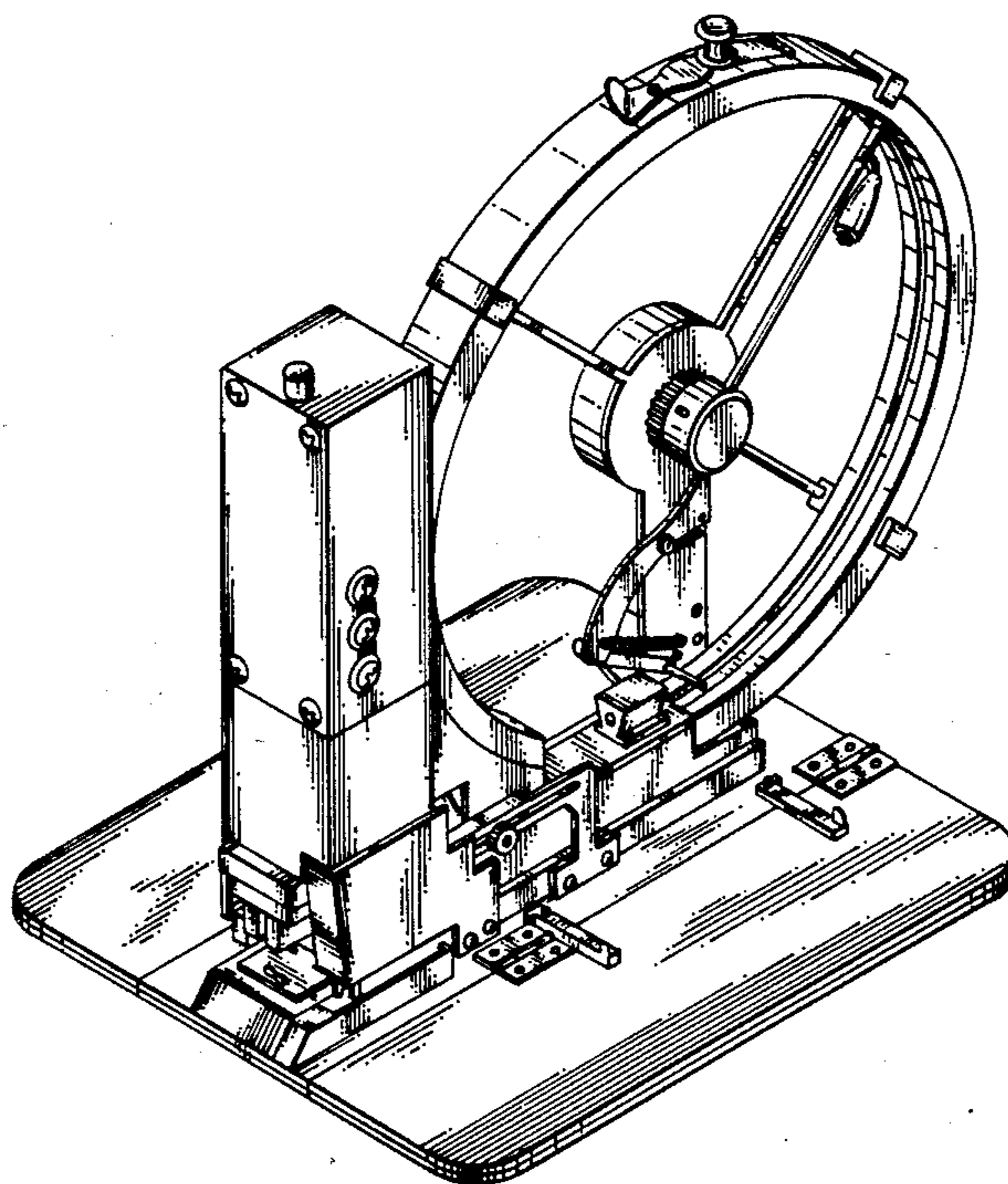
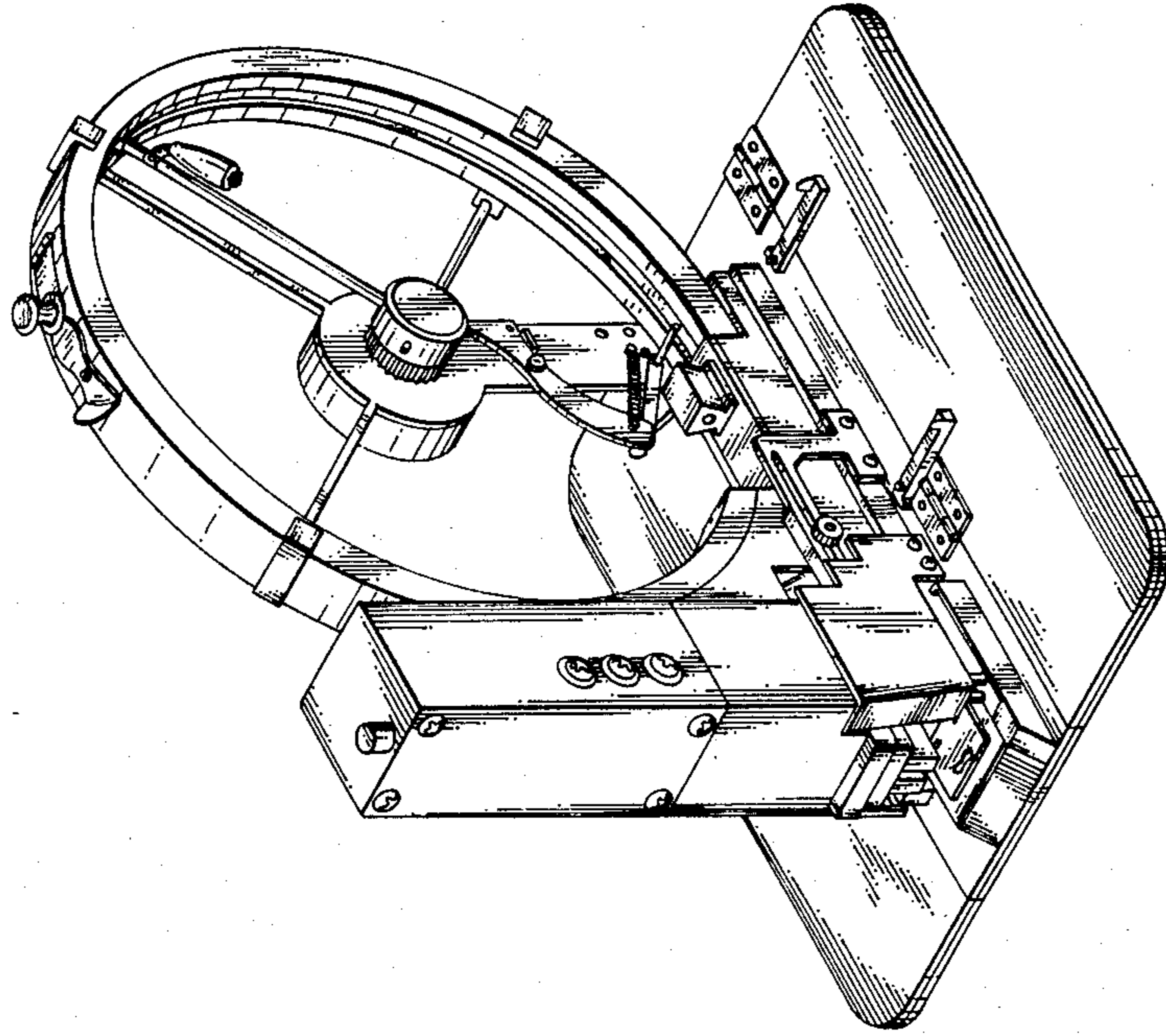


Fig. 1



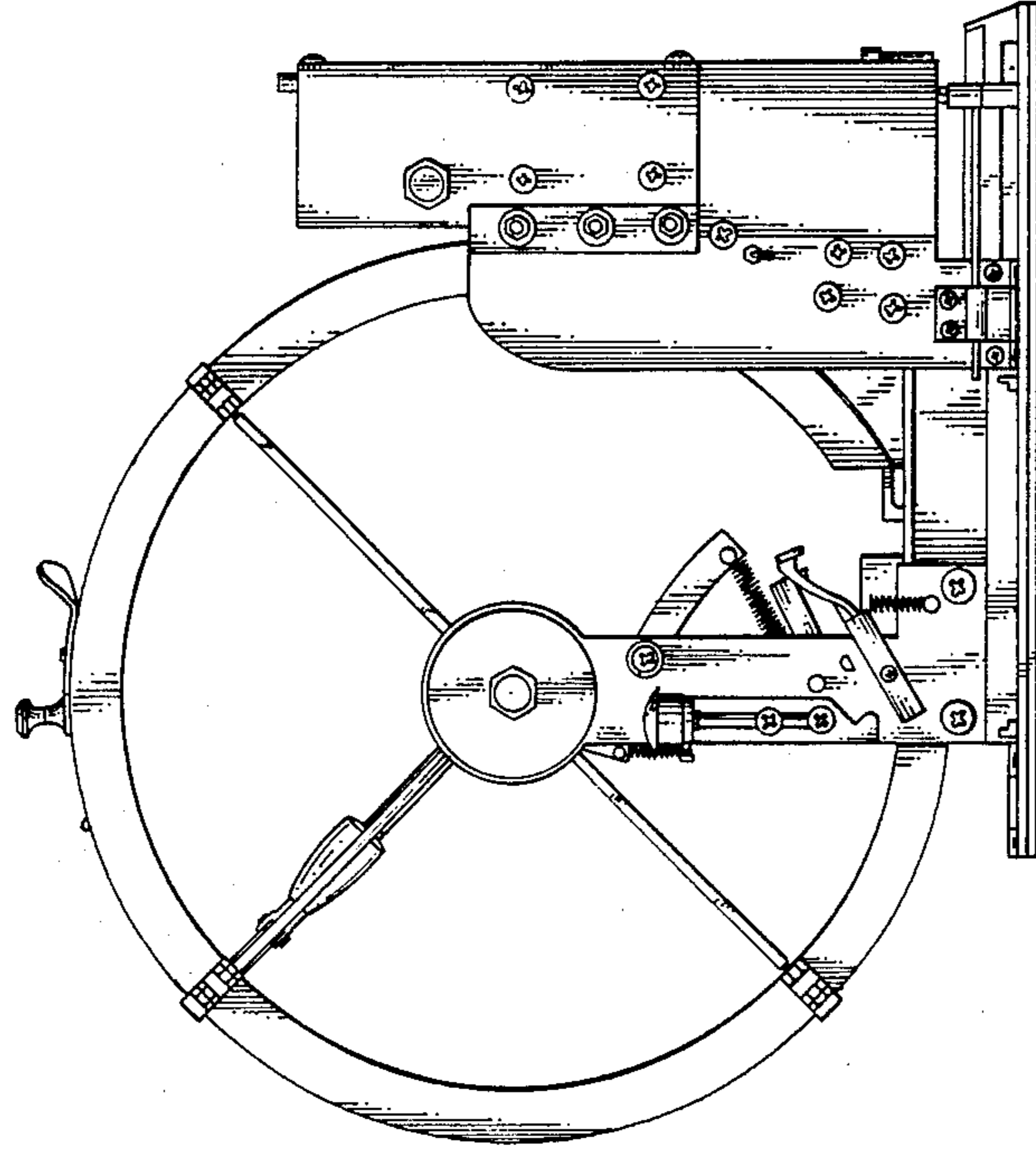


Fig. 3

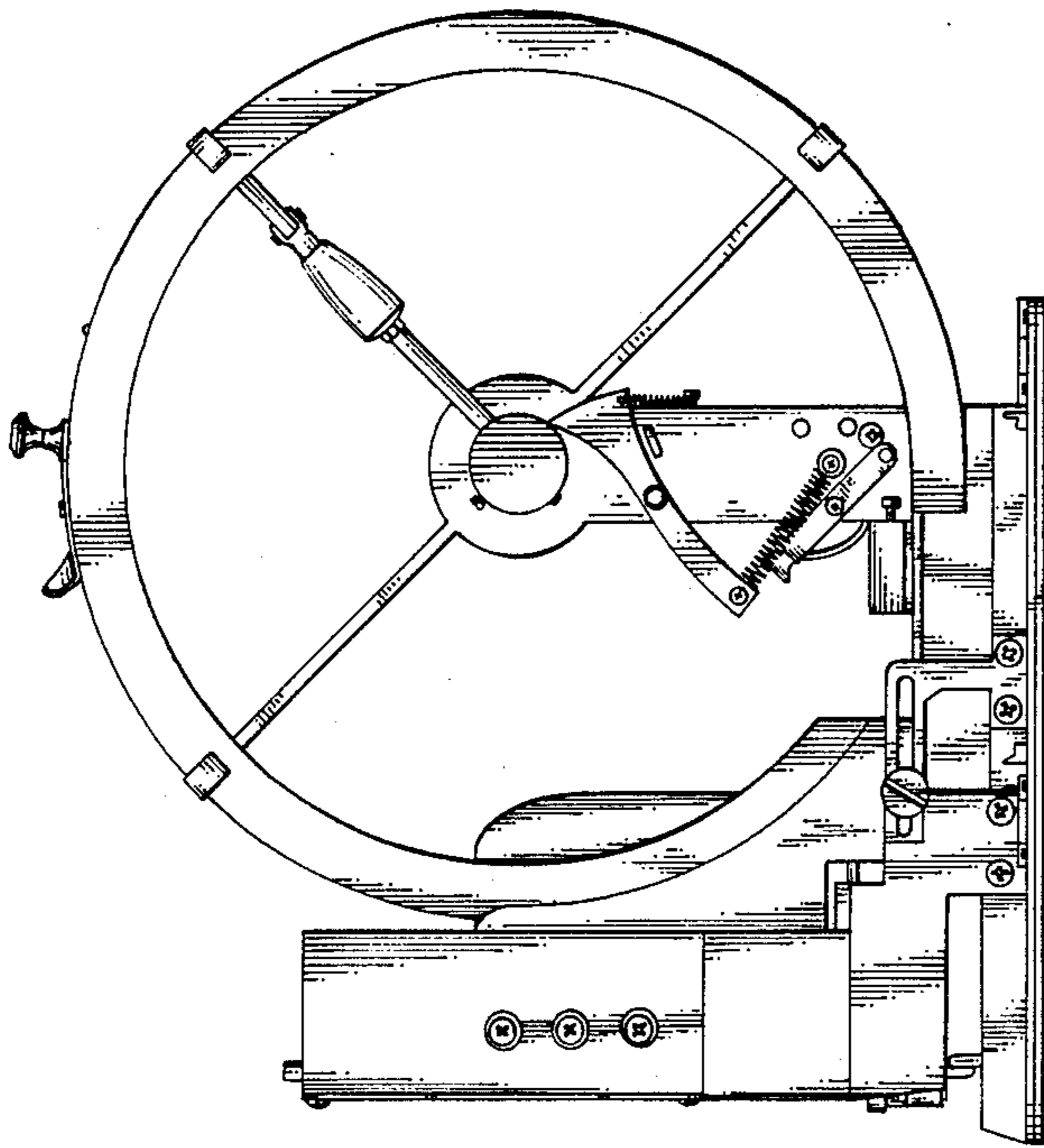


Fig. 2

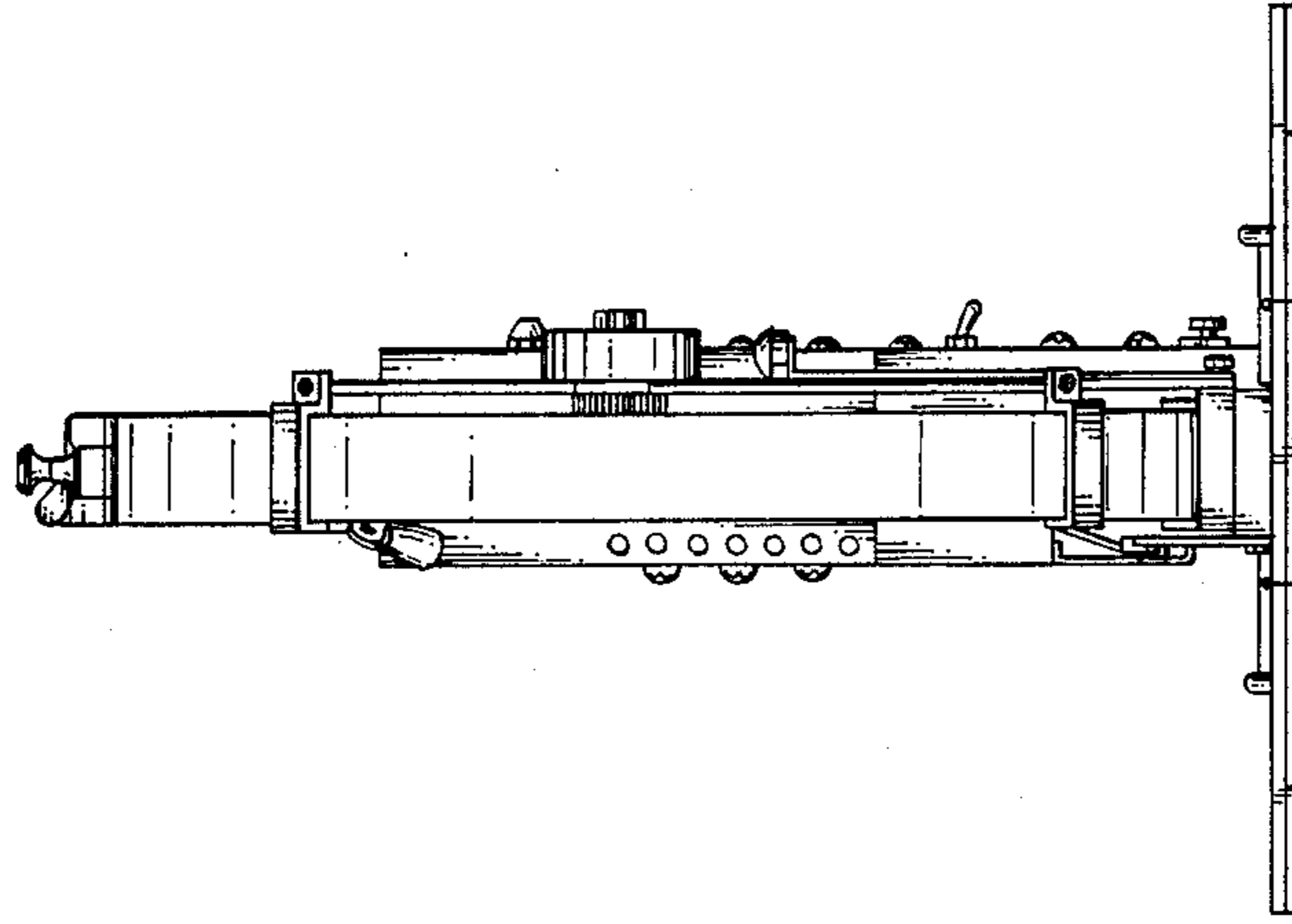


Fig. 4

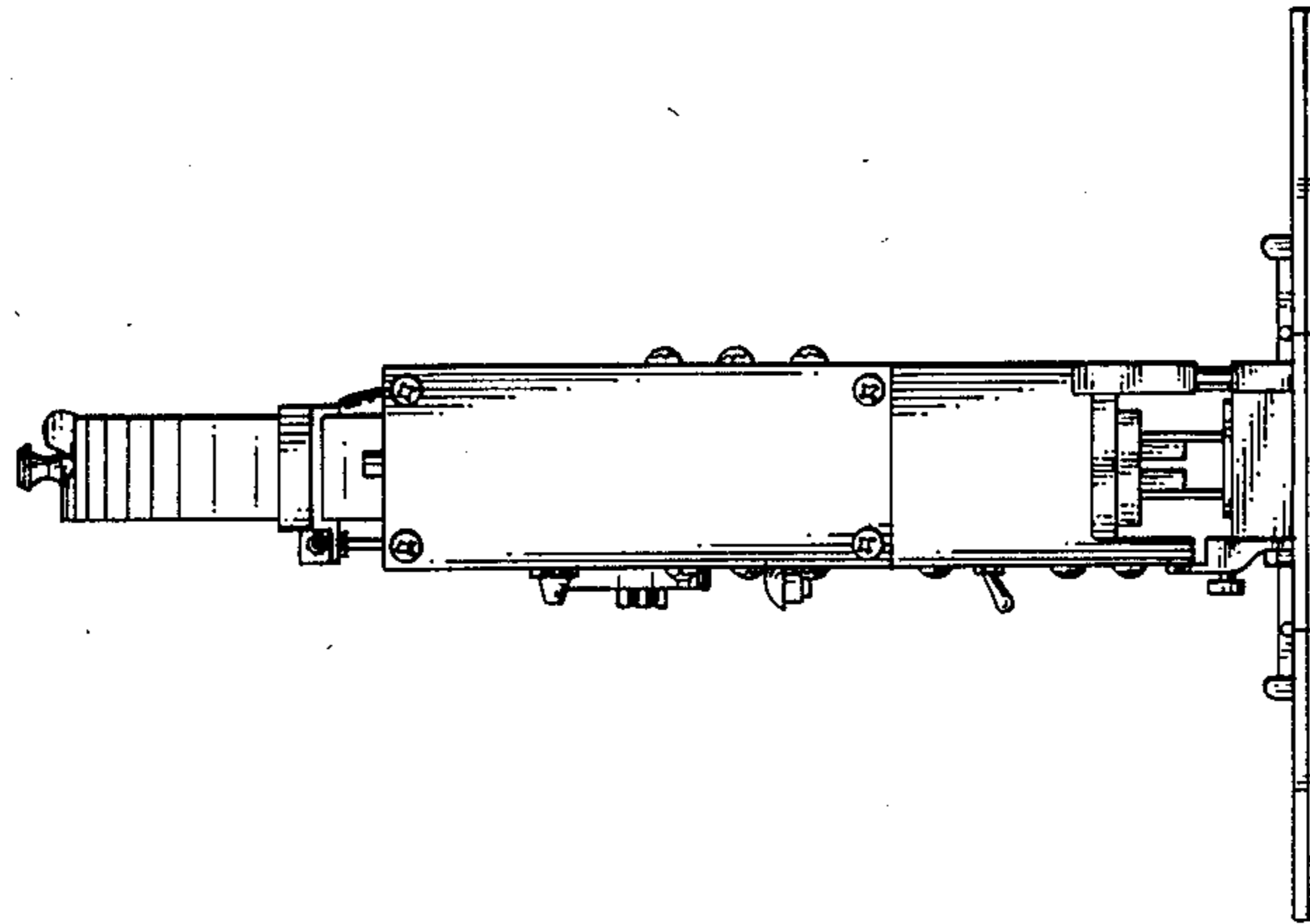


Fig. 5

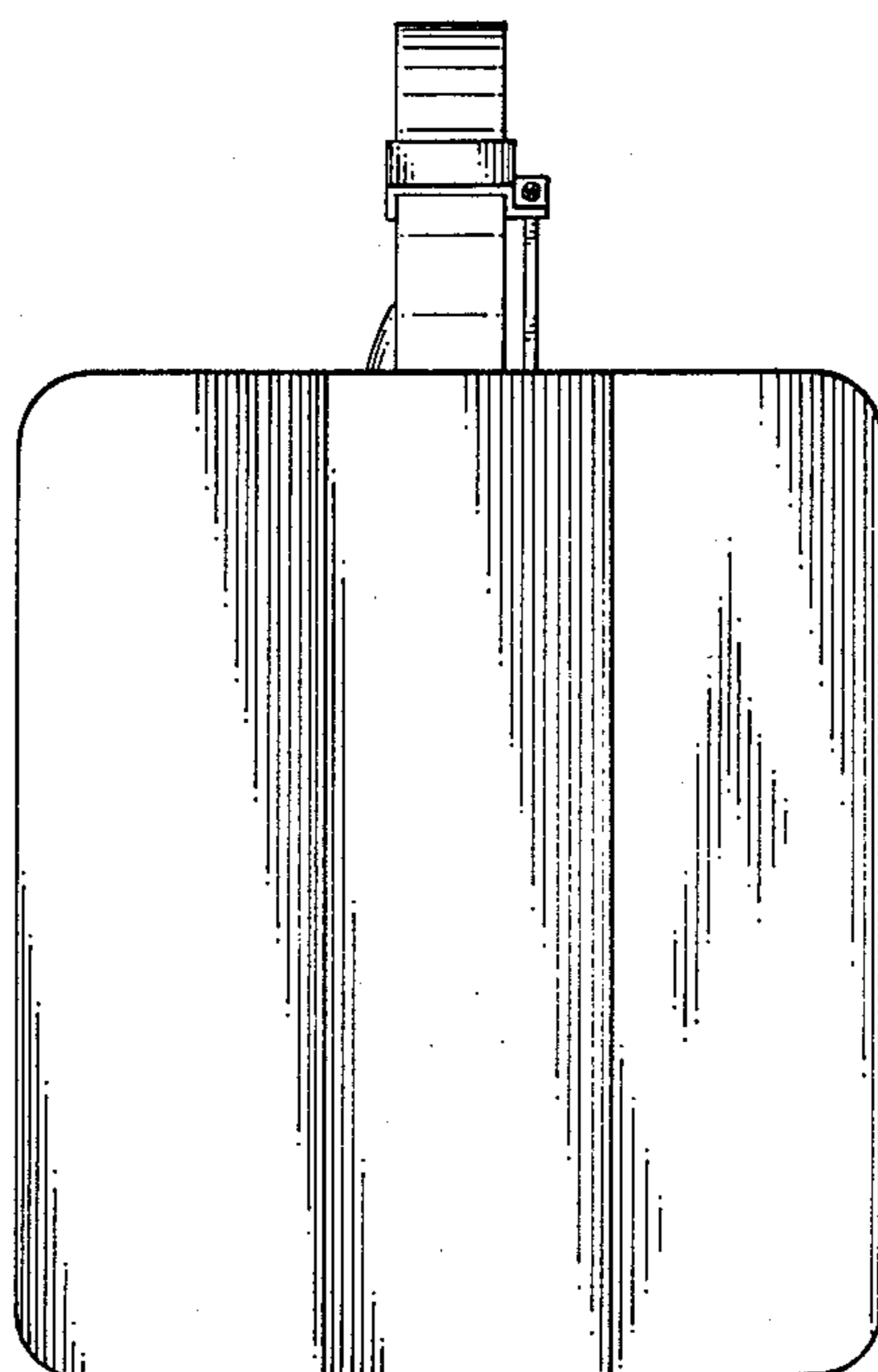


Fig. 7

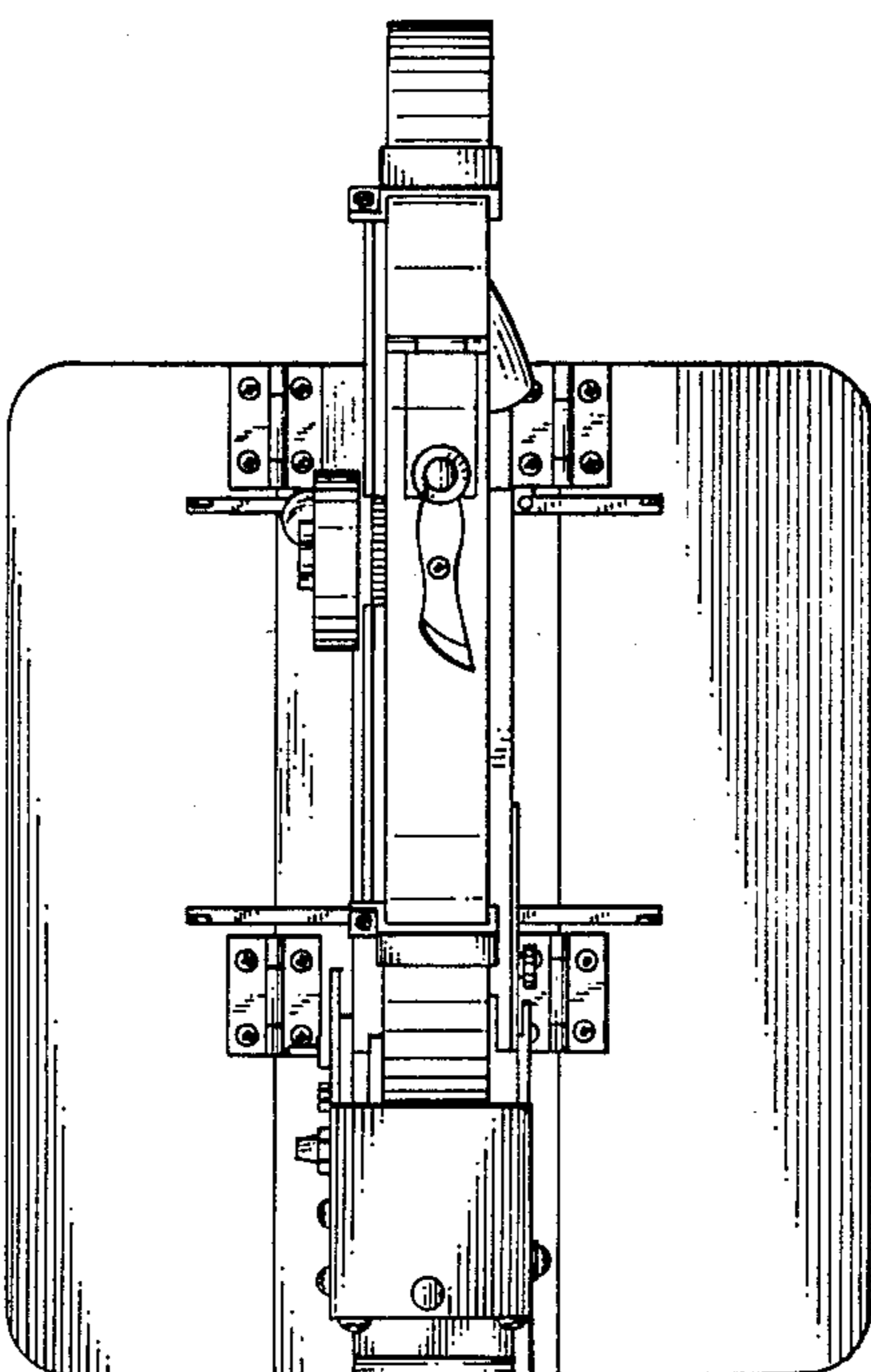


Fig. 6