

[54] COTTON CANDY MACHINE

[75] Inventors: Sadao Nasui, Machida; Shoei Wakishima, Tokyo, both of Japan

[73] Assignees: Robeson Industries Corporation, Mineola, N.Y.; Toshiba Electric Appliances, Maebashi, Japan

[**] Term: 14 Years

[21] Appl. No.: 865,243

[22] Filed: May 20, 1986

D. 82,342 10/1930 Noble D7/364

D. 98,922 3/1936 Farber D7/367

D. 242,208 11/1976 Madl et al. D7/386

D. 246,564 12/1977 Haufe D7/386

4,430,559 2/1984 Rabay D7/338 X

Primary Examiner—Winifred E. Herrmann
 Attorney, Agent, or Firm—Oblon, Spivak, McClelland, Maier & Neustadt

[30] Foreign Application Priority Data

Dec. 13, 1985 [JP] Japan 60-52028

[52] U.S. Cl. D7/368; D7/354; D7/386

[58] Field of Search D7/354, 355-357, D7/360, 361, 363-365, 376, 369, 368, 386, 338, 367, 378

[57] CLAIM

The ornamental design for a cotton candy machine, as shown and described.

DESCRIPTION

FIG. 1 is a top, front and right side perspective view of a cotton candy machine showing our new design; FIG. 2 is a front elevational view thereof; FIG. 3 is a rear elevational view thereof; FIG. 4 is a top plan view thereof; FIG. 5 is a bottom plan view thereof; FIG. 6 is a right side elevational view thereof, the left side being a mirror image of the right; and FIG. 7 is a sectional view thereof on an enlarged scale taken on line 7—7 of FIG. 2.

[56] References Cited

U.S. PATENT DOCUMENTS

D. 69,199 1/1926 Brent D7/368

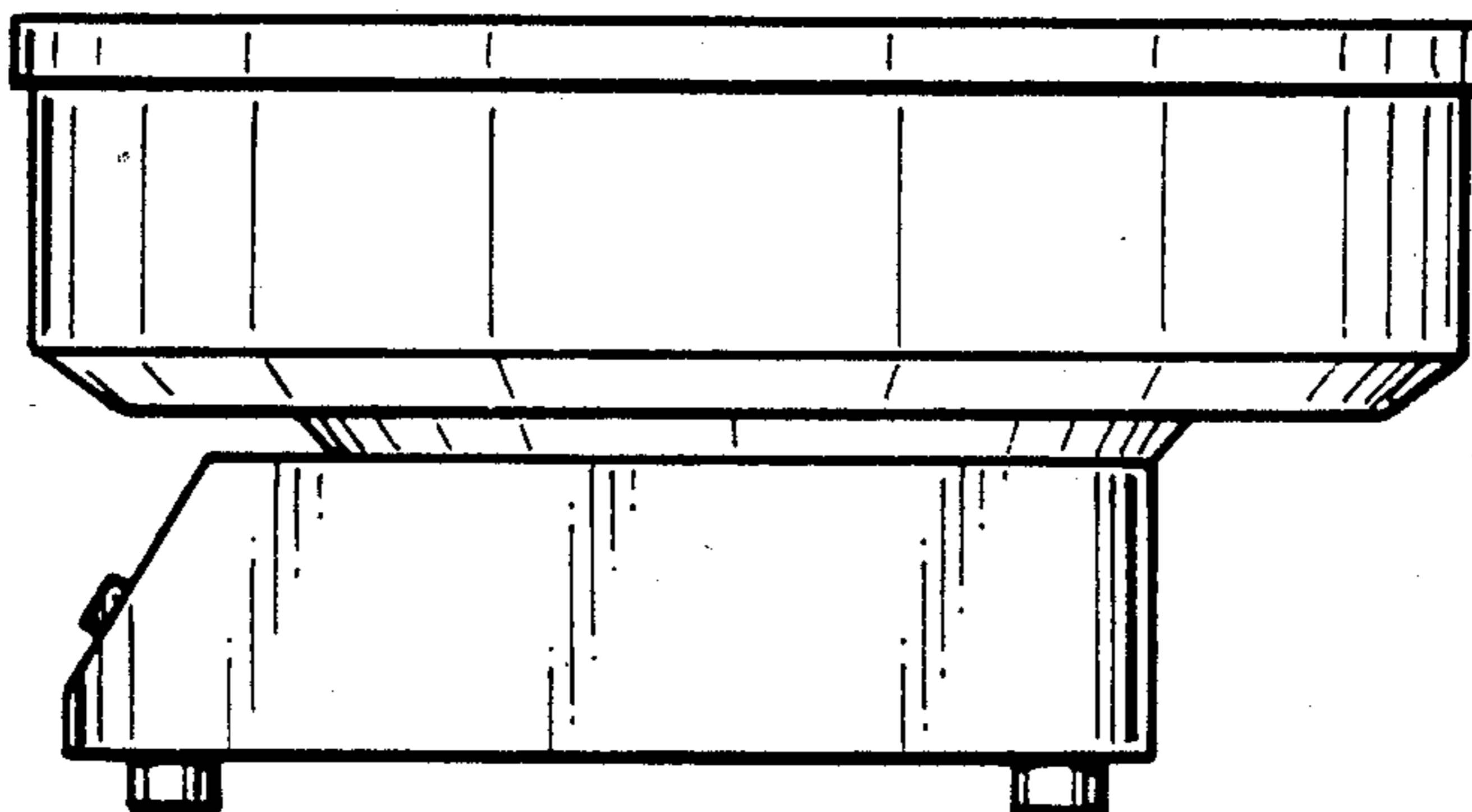
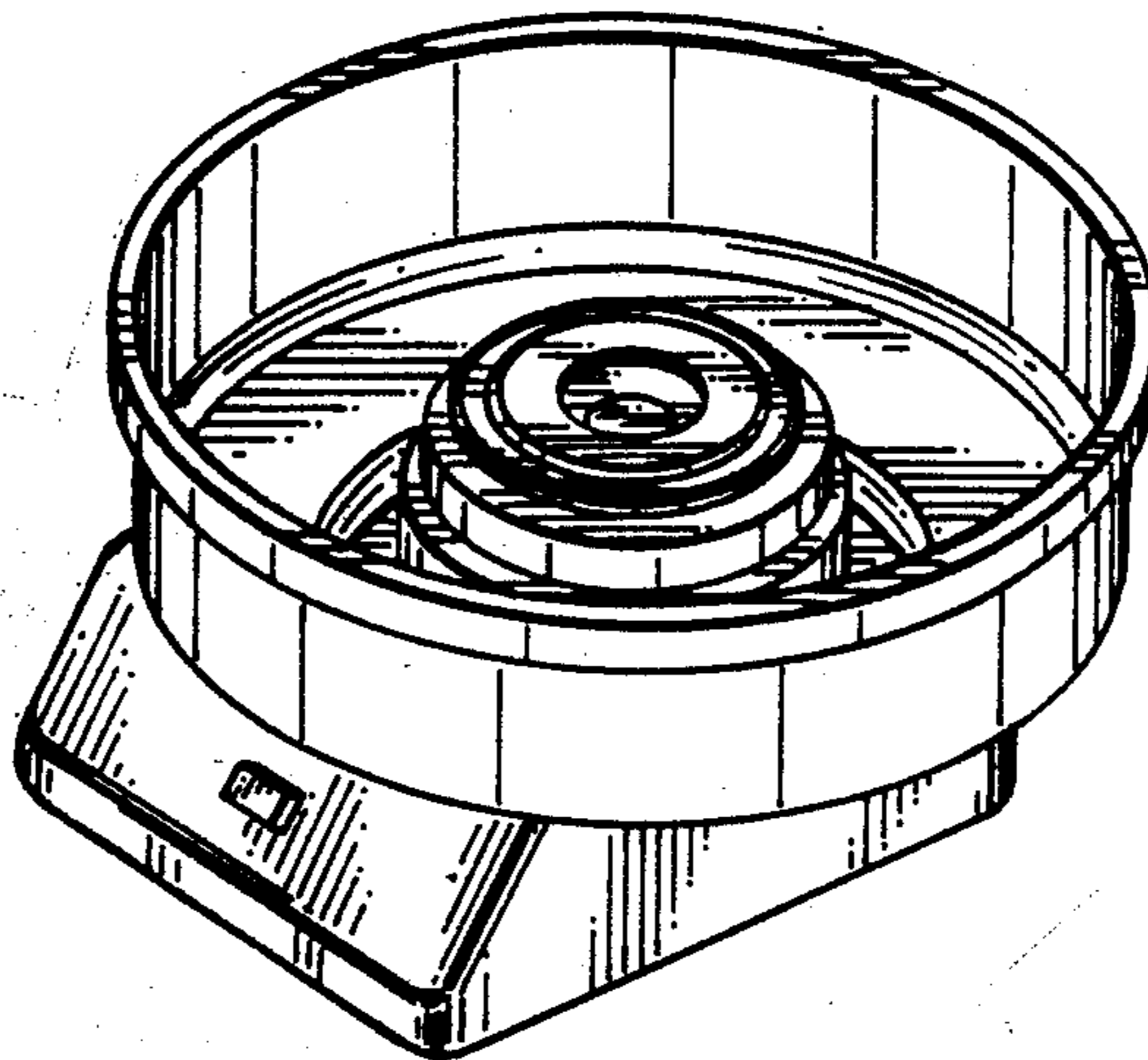


FIG. 1

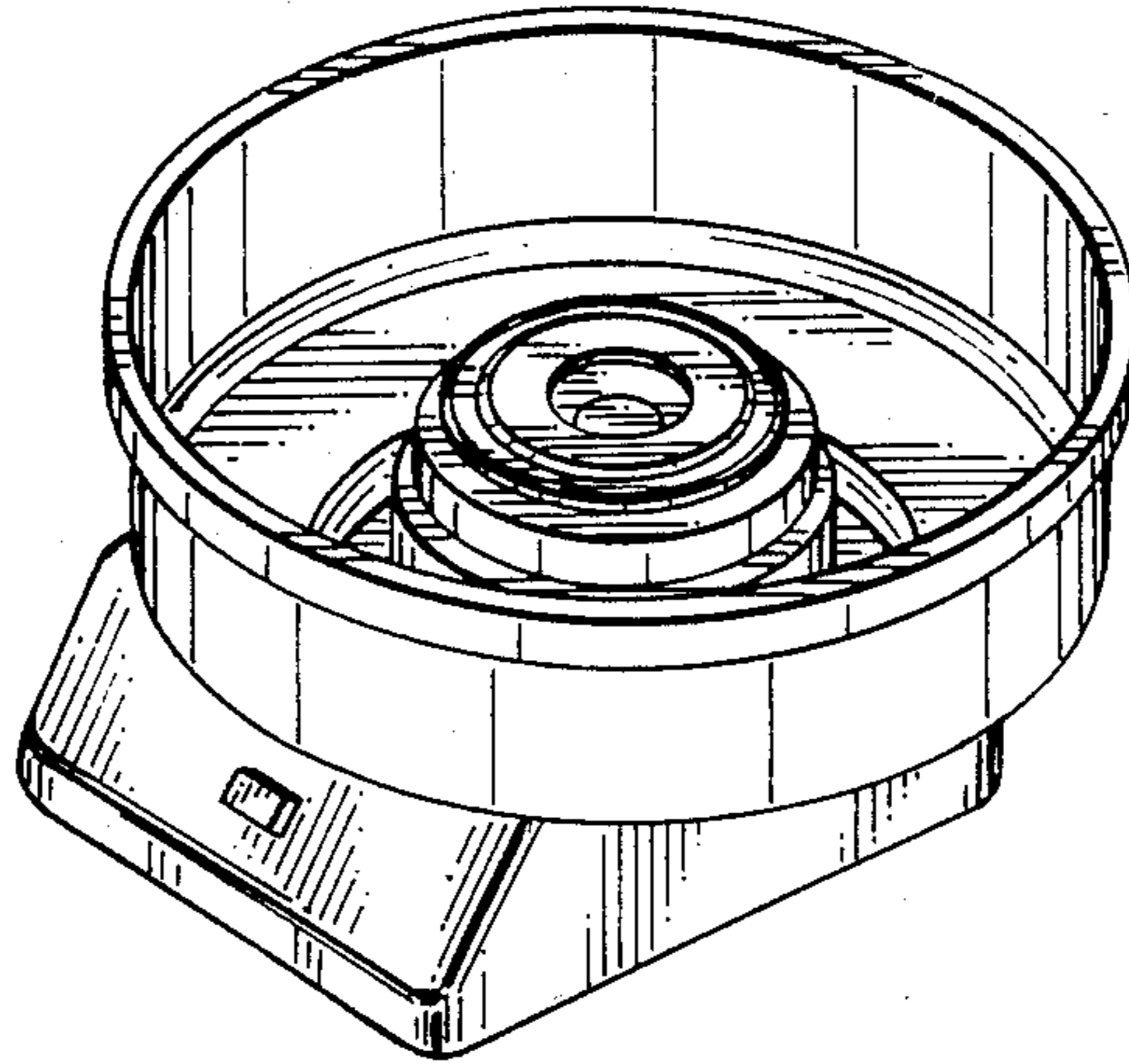


FIG. 2

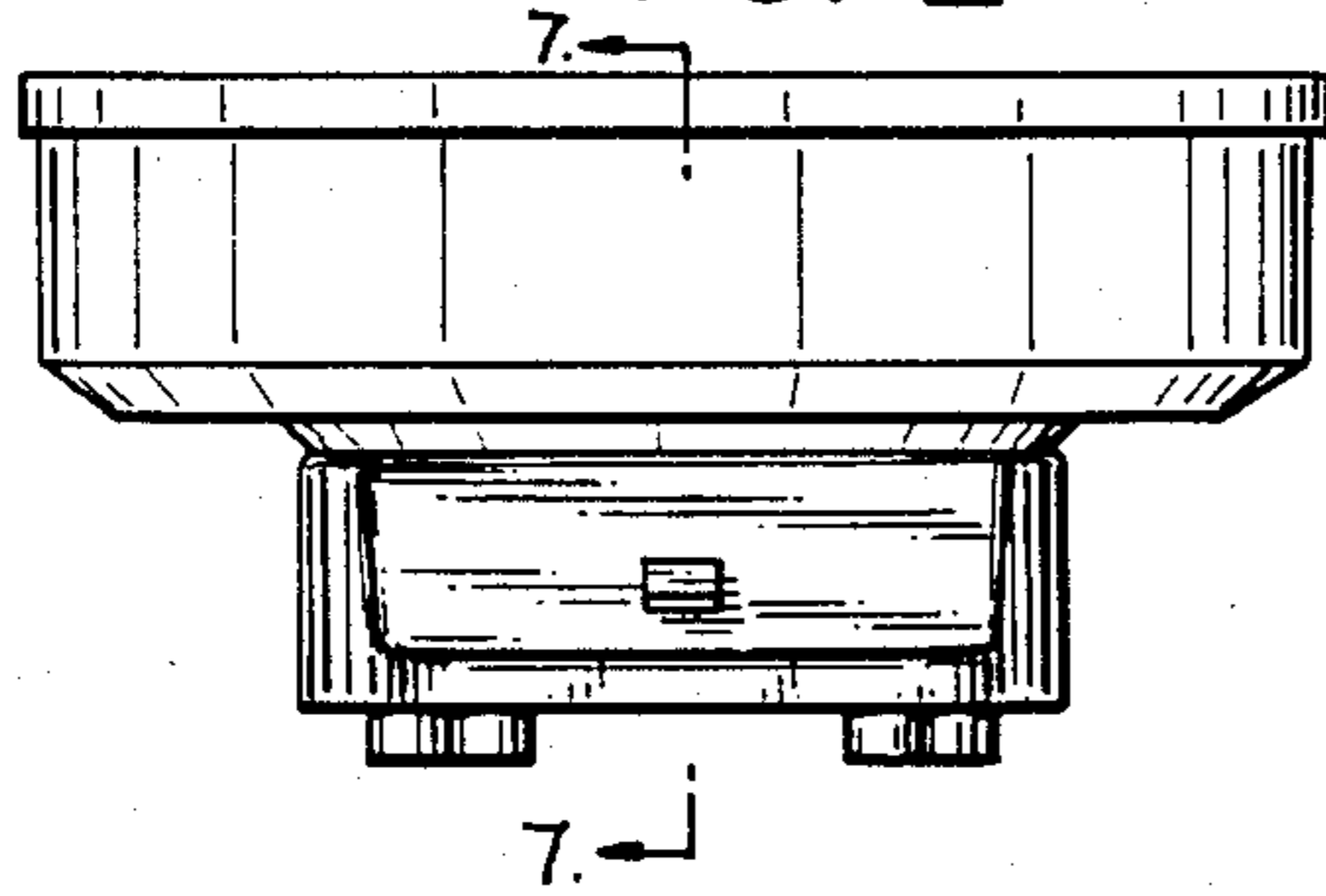


FIG. 3

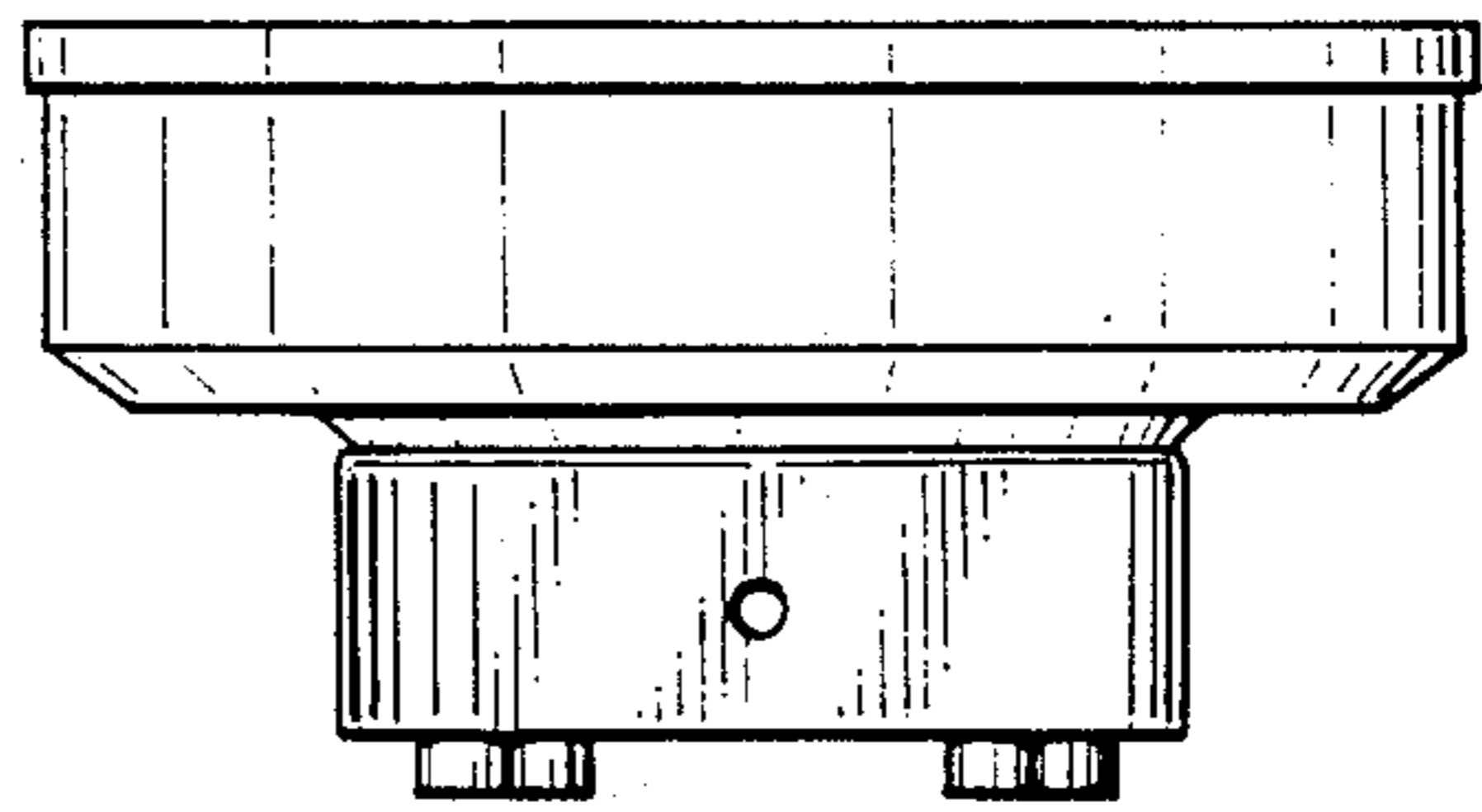


FIG. 4

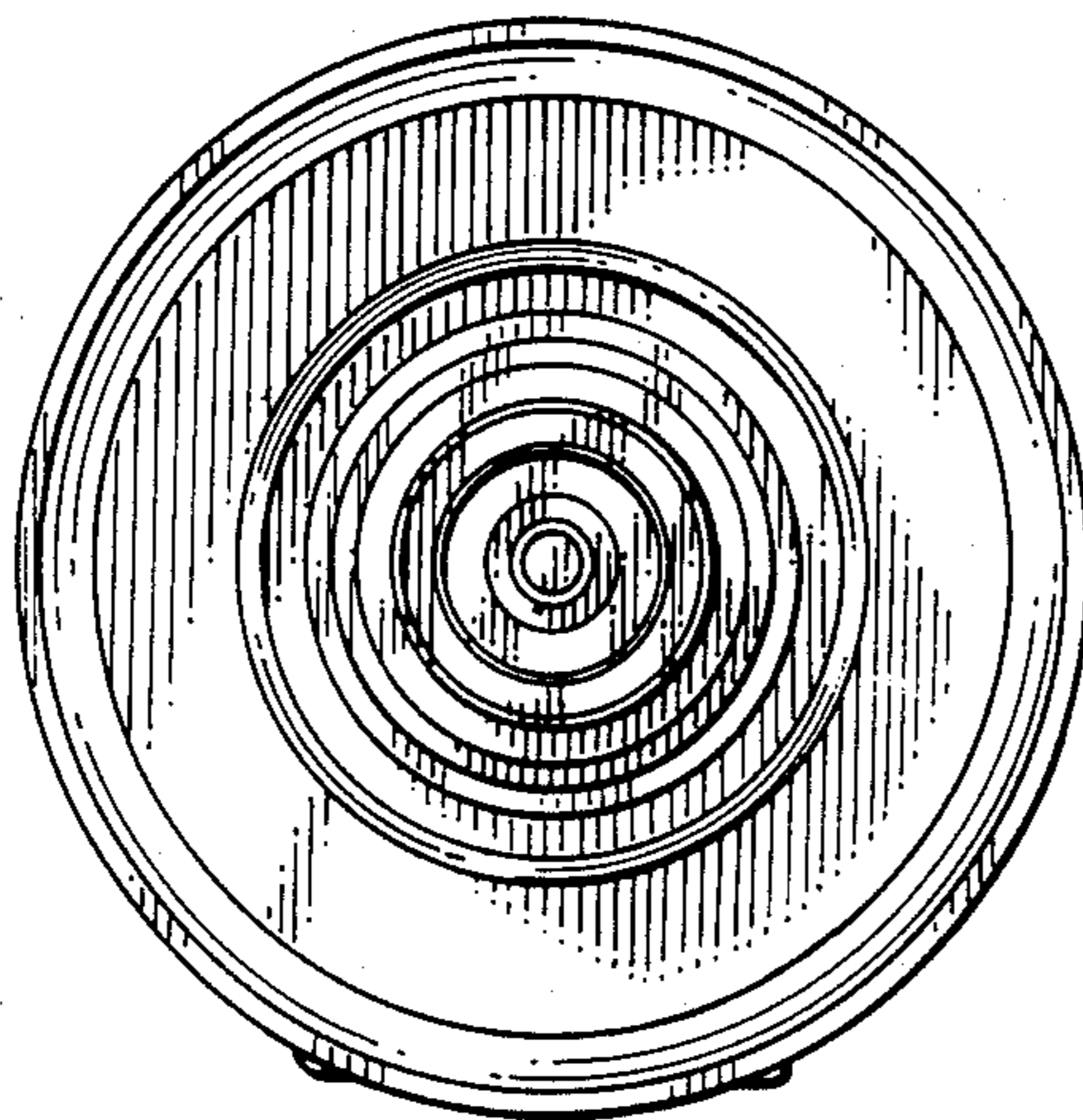


FIG. 5

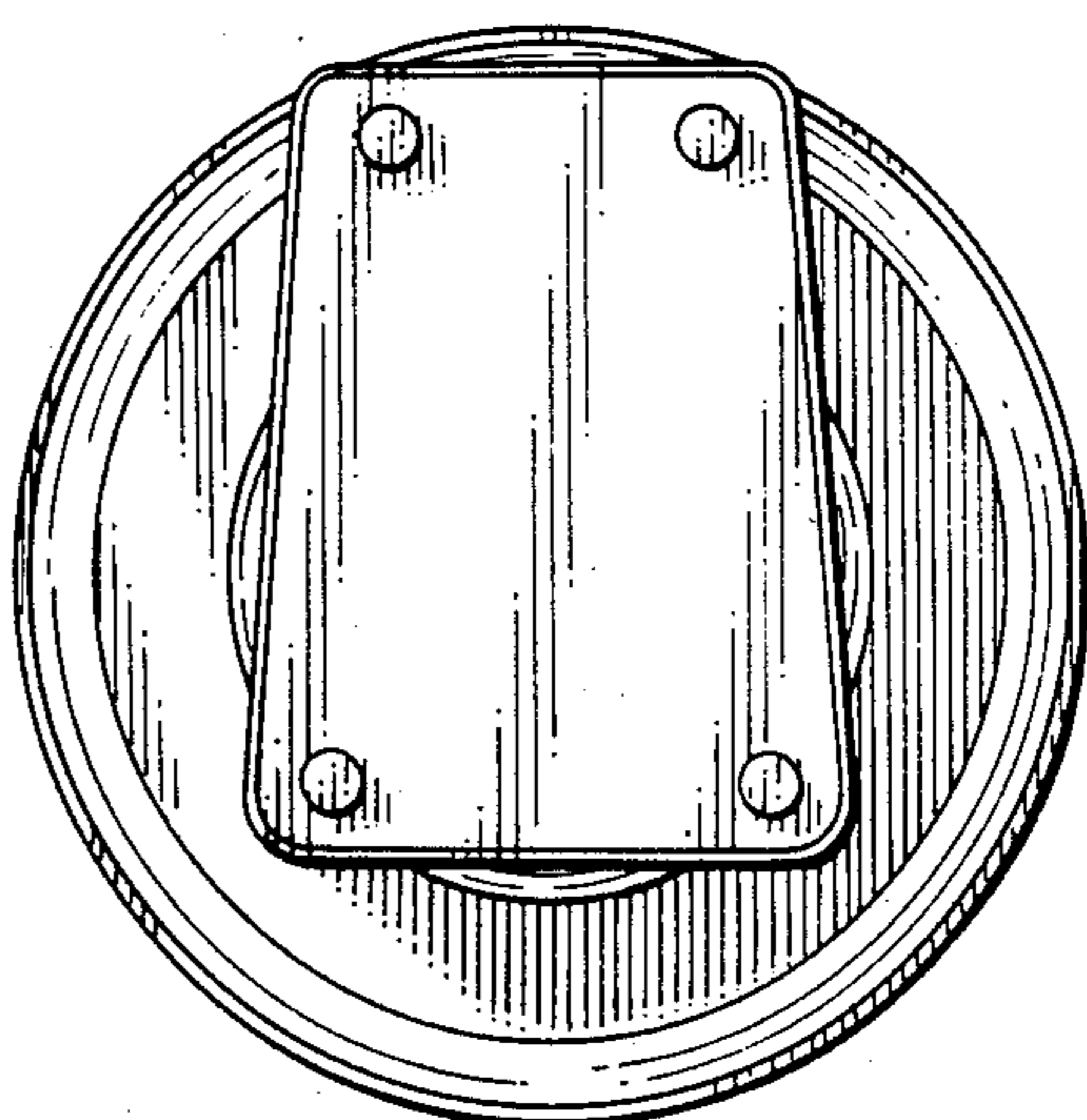


FIG. 6

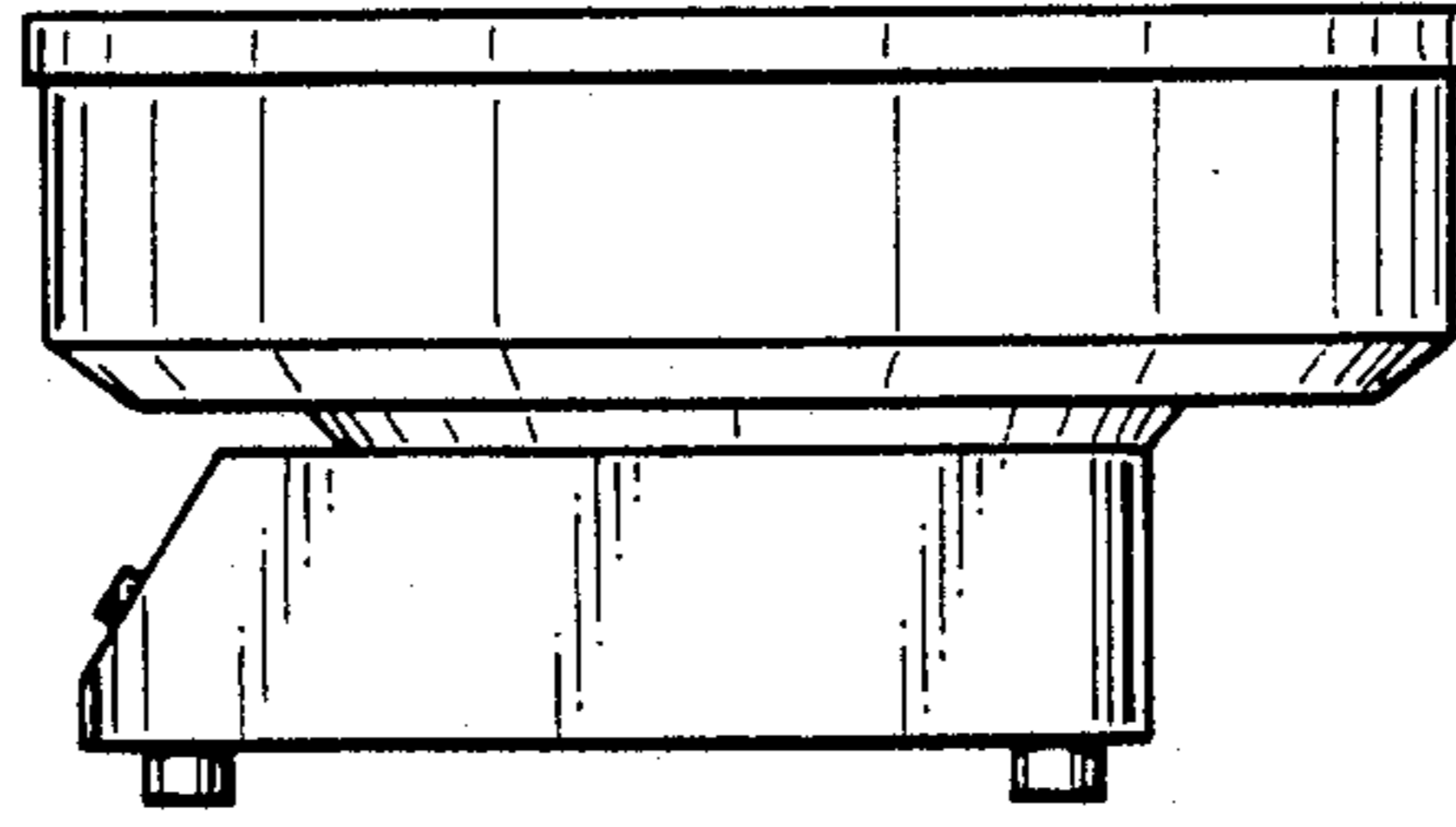


FIG. 7

