

[54] **ADJUSTABLE DOCUMENT HOLDER**

D. 275,431 9/1984 Usab ..... D6/429

[76] **Inventor:** Fritz Sträter, Unterm Bamberg 1,  
D-5882 Meinerzhagen, Fed. Rep. of  
Germany

[\*\*] **Term:** 14 Years

[21] **Appl. No.:** 922,559

[22] **Filed:** Oct. 23, 1986

[30] **Foreign Application Priority Data**

Apr. 24, 1986 [XH] Hague ..... DM/006836

[52] **U.S. Cl.** ..... D6/511

[58] **Field of Search** ..... D6/418, 429, 430, 511,  
D6/338

[56] **References Cited**

**U.S. PATENT DOCUMENTS**

D. 266,719 11/1982 Hopkins ..... D6/511  
D. 270,787 10/1983 Umanoff et al. .... D6/431

**OTHER PUBLICATIONS**

Design Institute America, "Tables" Section, #307, So-  
cial Circle.

GSA Furniture Catalog, p. 1, Manuscript Stand, bottom  
left.

*Primary Examiner*—Nelson C. Holtje

*Assistant Examiner*—Ann Hunt

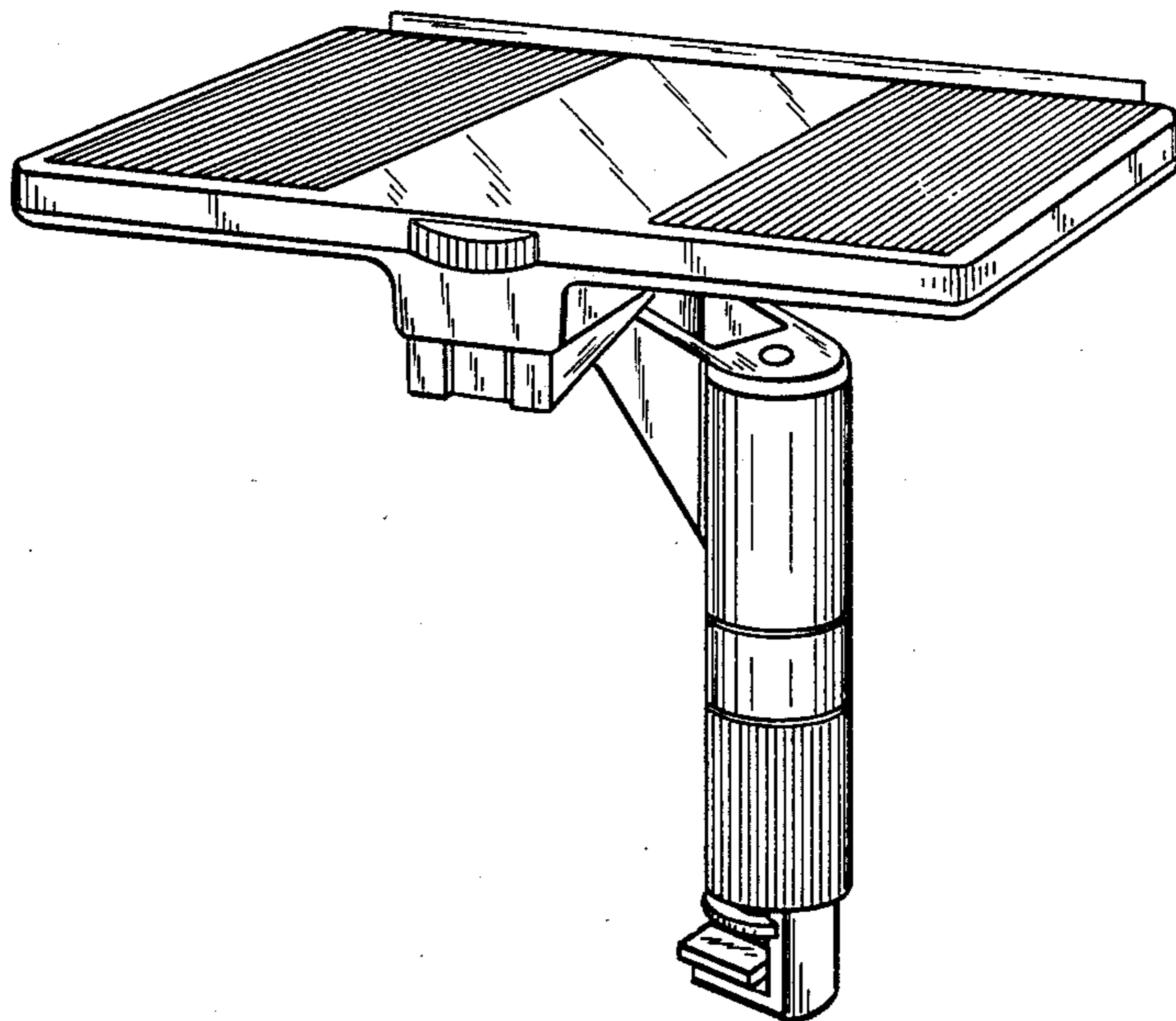
*Attorney, Agent, or Firm*—Herbert Dubno; Ronald  
Lianides

[57] **CLAIM**

The ornamental design for an adjustable document  
holder, as shown and described.

**DESCRIPTION**

FIG. 1 is a perspective view of the top side of the ad-  
justable document holder showing my new design; and  
FIG. 2 is a perspective view of the underside thereof.



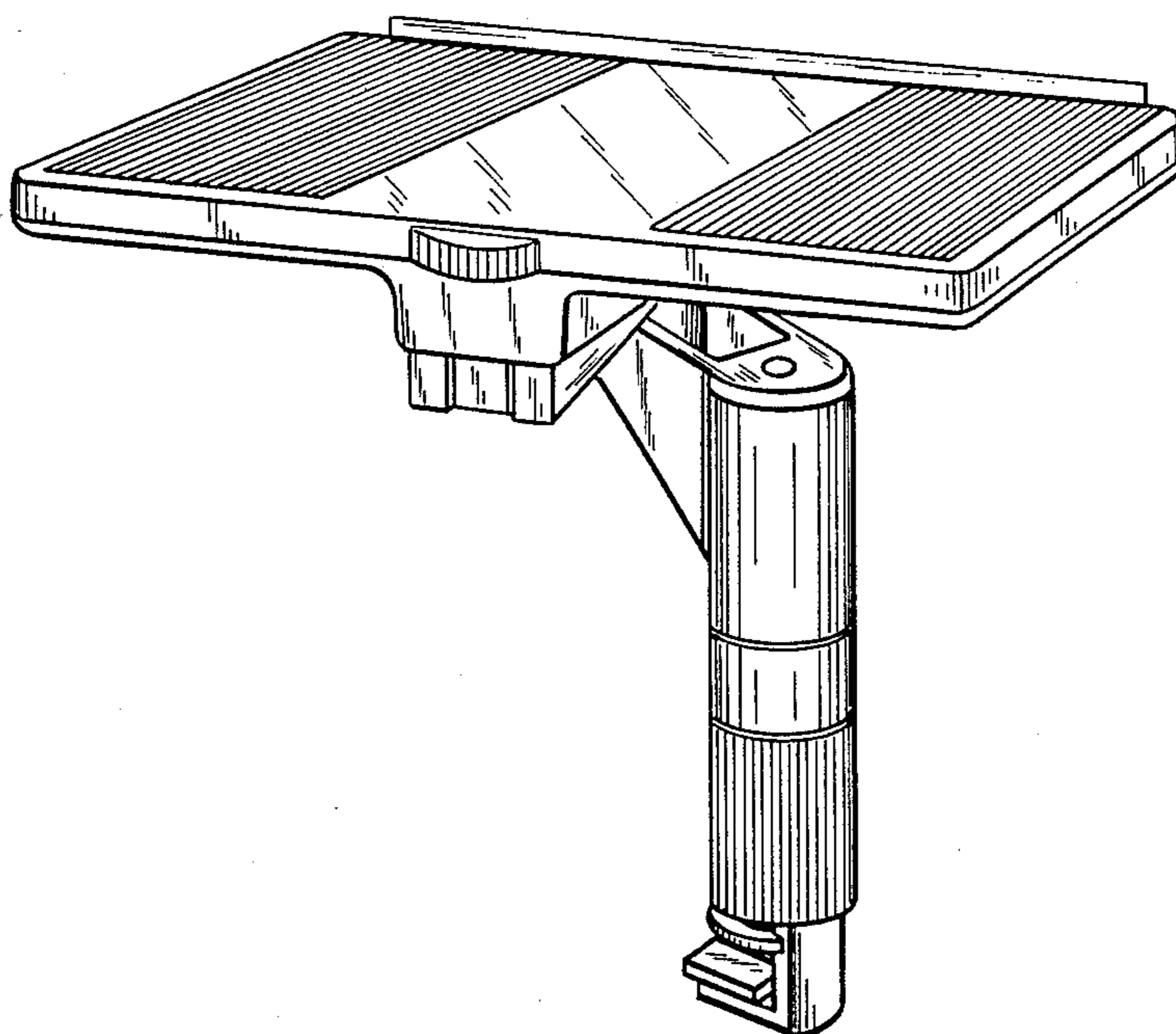


FIG.1

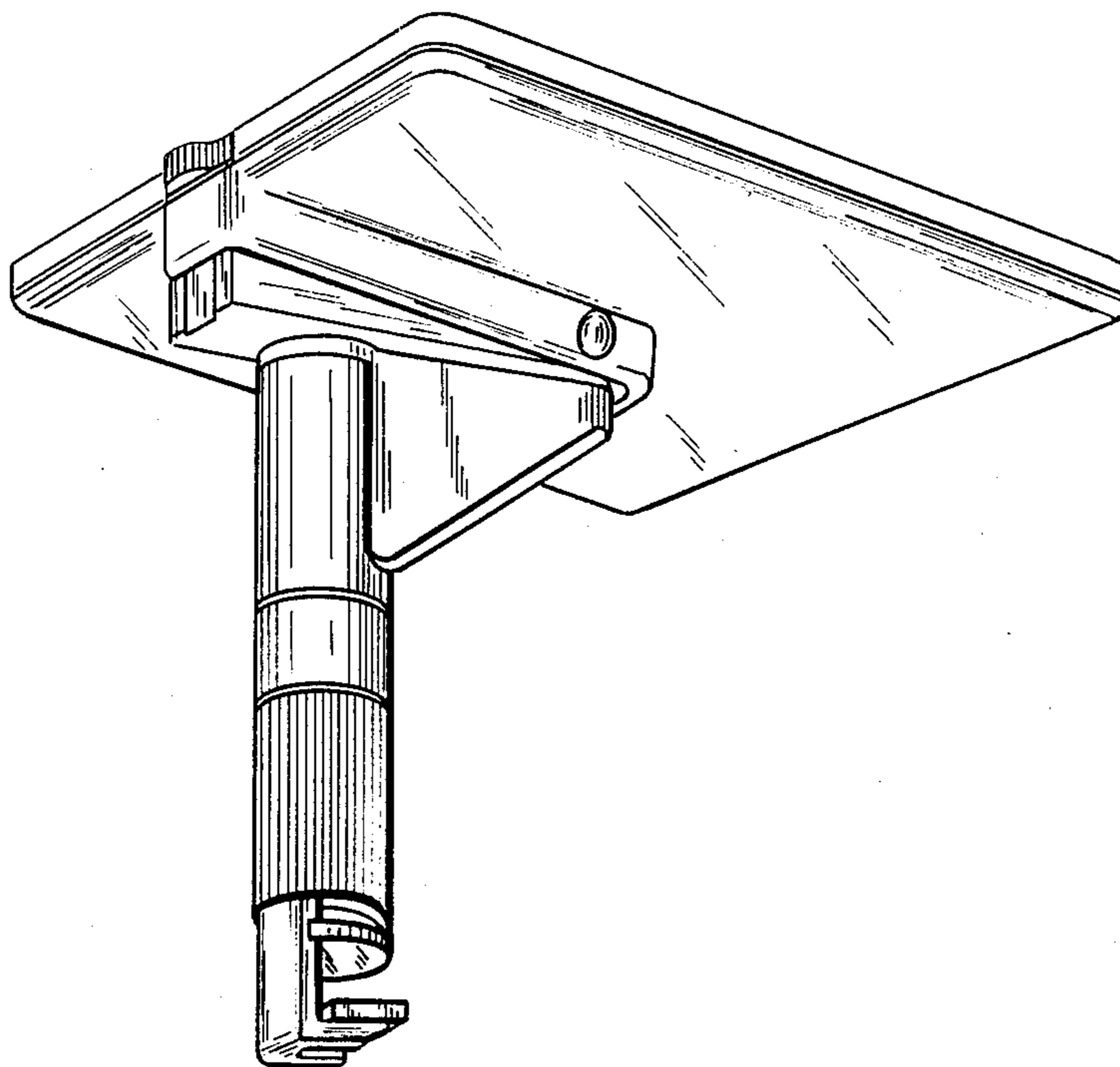


FIG.2