

[54] **GOLF ACCESSORY HOLDER**  
[76] **Inventor: Denis M. Stack, P.O. Box 27163, Seattle, Wash. 98125**  
[\*\*] **Term: 14 Years**  
[21] **Appl. No.: 60,422**  
[22] **Filed: Jun. 11, 1987**  
[52] **U.S. Cl. .... D3/104; D21/234**  
[58] **Field of Search .... D3/100, 104, 106; D21/234; D6/552; 224/918, 919; 206/315.9**

2,768,775 10/1956 Houser ..... 224/918 X  
3,497,676 2/1970 Gravatt ..... 224/918 X  
4,082,209 4/1978 Sanders ..... D3/104 X  
4,730,728 3/1988 Larkin ..... 206/315.9

*Primary Examiner*—Carmen H. Vales-Lado  
*Attorney, Agent, or Firm*—Harry M. Cross, Jr.

[57] **CLAIM**

The ornamental design for a golf accessory holder, as shown.

**DESCRIPTION**

FIG. 1 is a perspective view of a golf accessory holder showing my new design;  
FIG. 2 is a left side elevational view thereof;  
FIG. 3 is a right side elevational view thereof;  
FIG. 4 is a front elevational view thereof;  
FIG. 5 is a rear elevational view thereof;  
FIG. 6 is a top plan view thereof; and  
FIG. 7 is a bottom plan view thereof.

- [56] **References Cited**  
**U.S. PATENT DOCUMENTS**  
D. 251,338 3/1979 Evans et al. .... D3/104  
D. 254,940 5/1980 Thomas ..... D3/104  
D. 258,021 1/1981 Bonaventura ..... D3/104  
D. 264,518 5/1982 Schneider ..... D3/104  
D. 280,676 9/1985 Williams ..... D3/104  
D. 300,447 3/1989 Timleck ..... D21/234

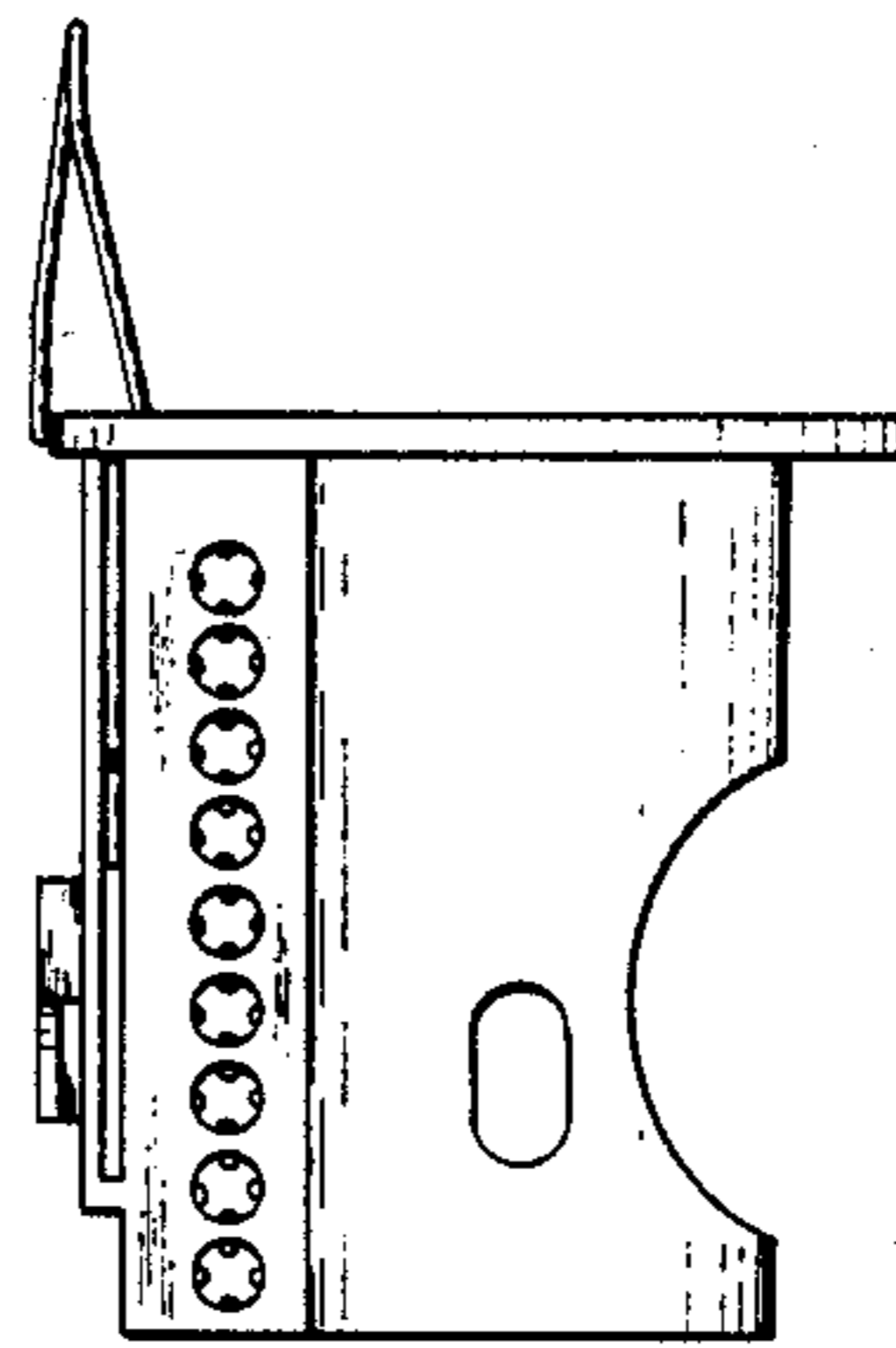
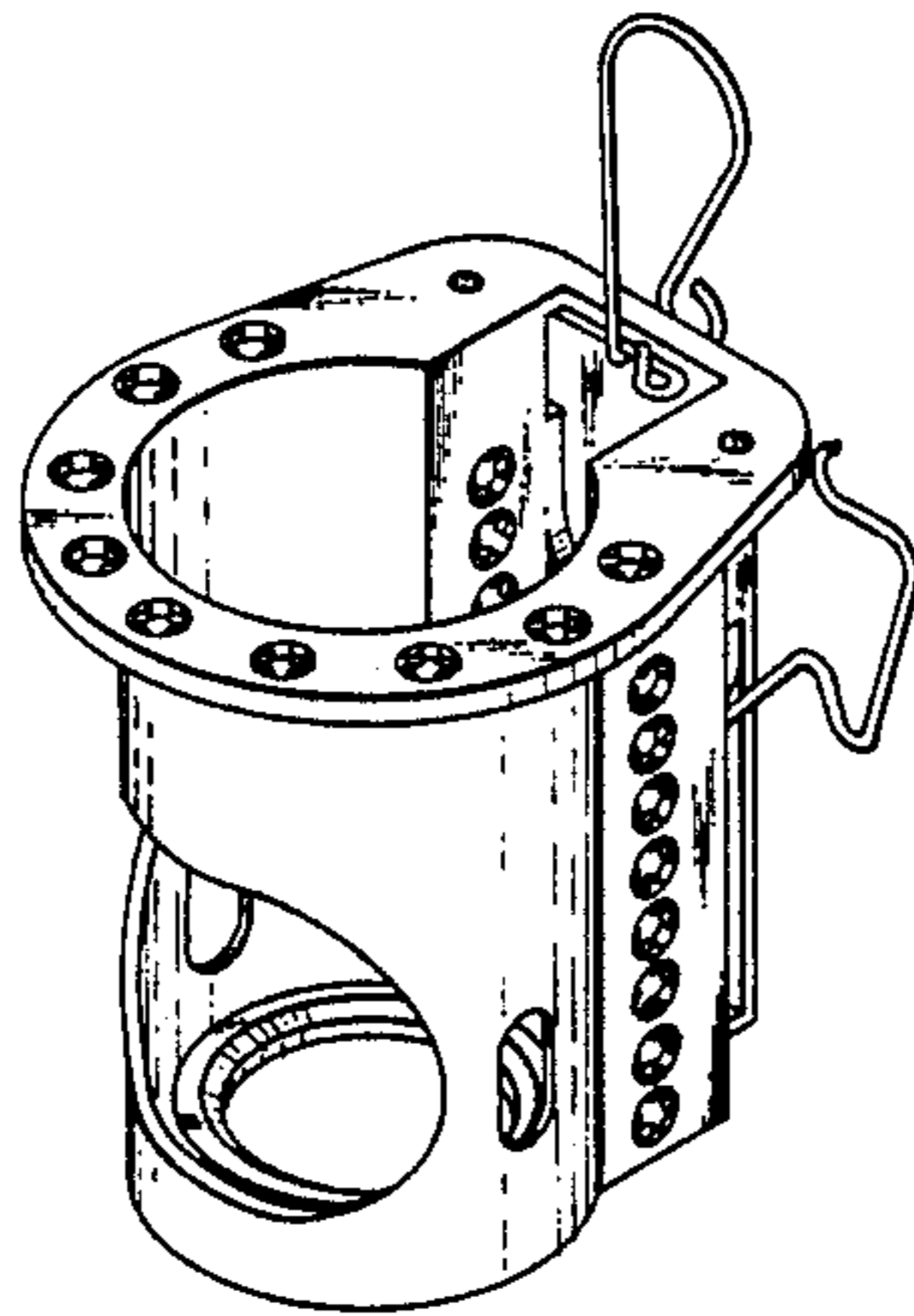


FIG. 1

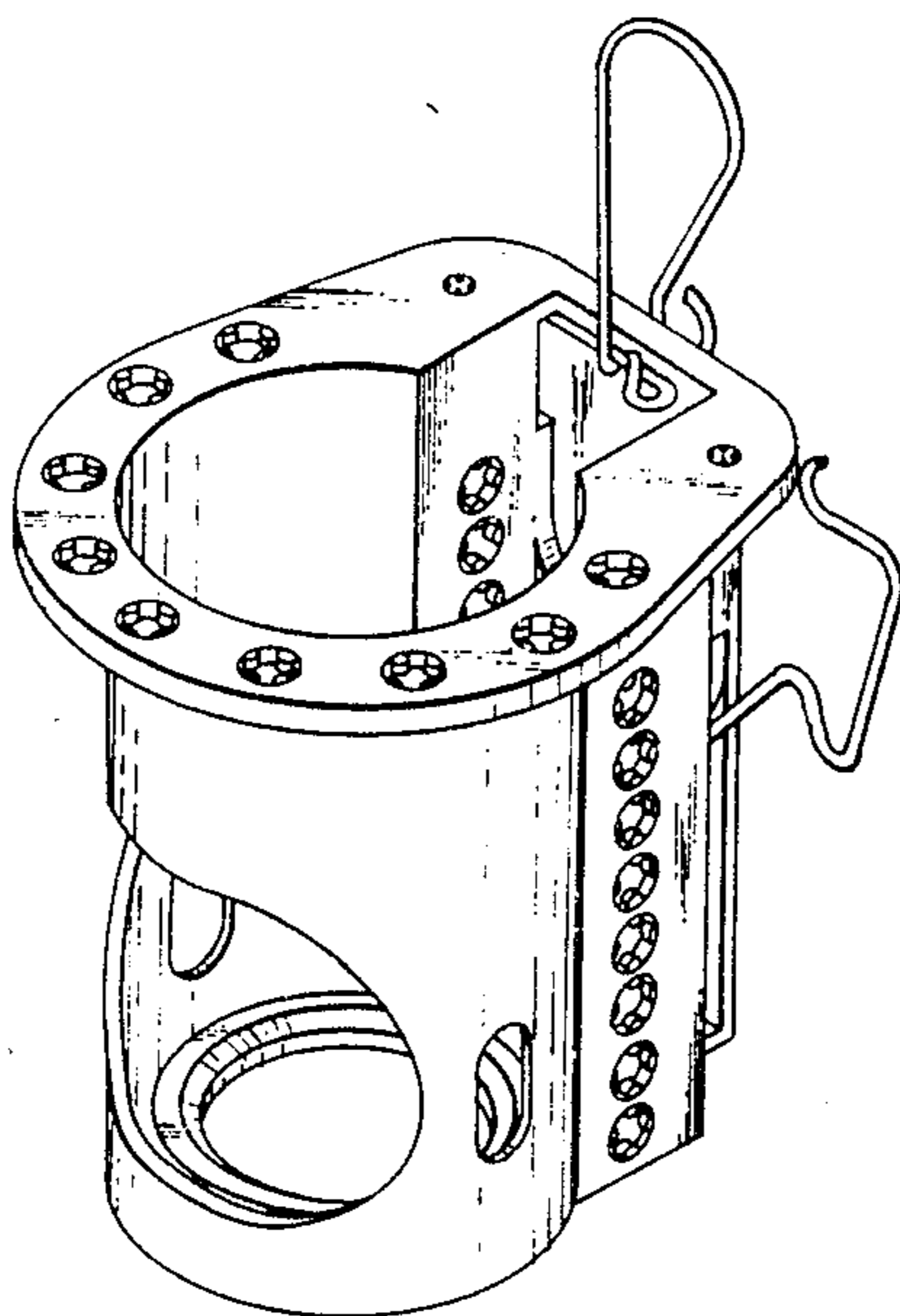


FIG. 2

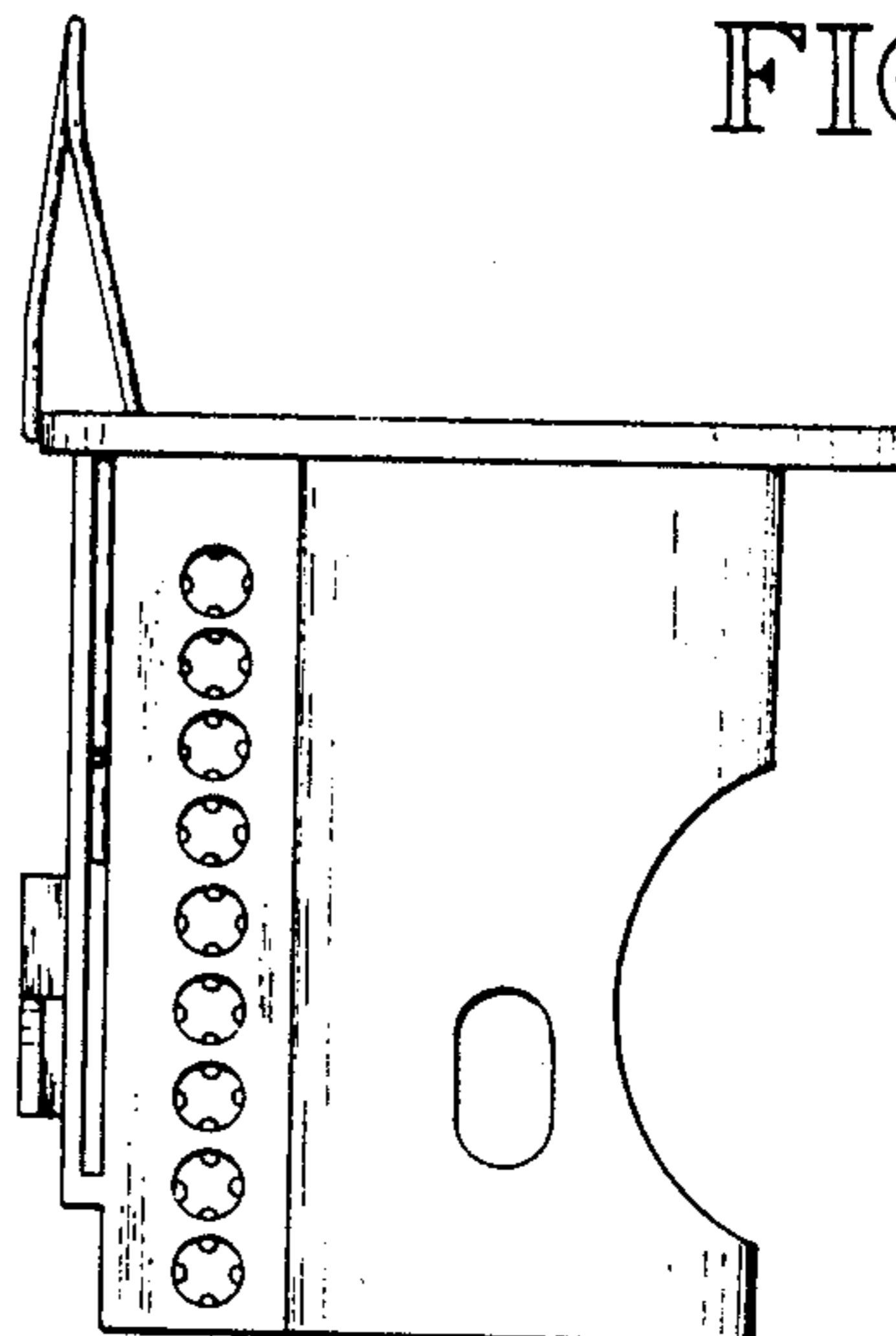


FIG. 3

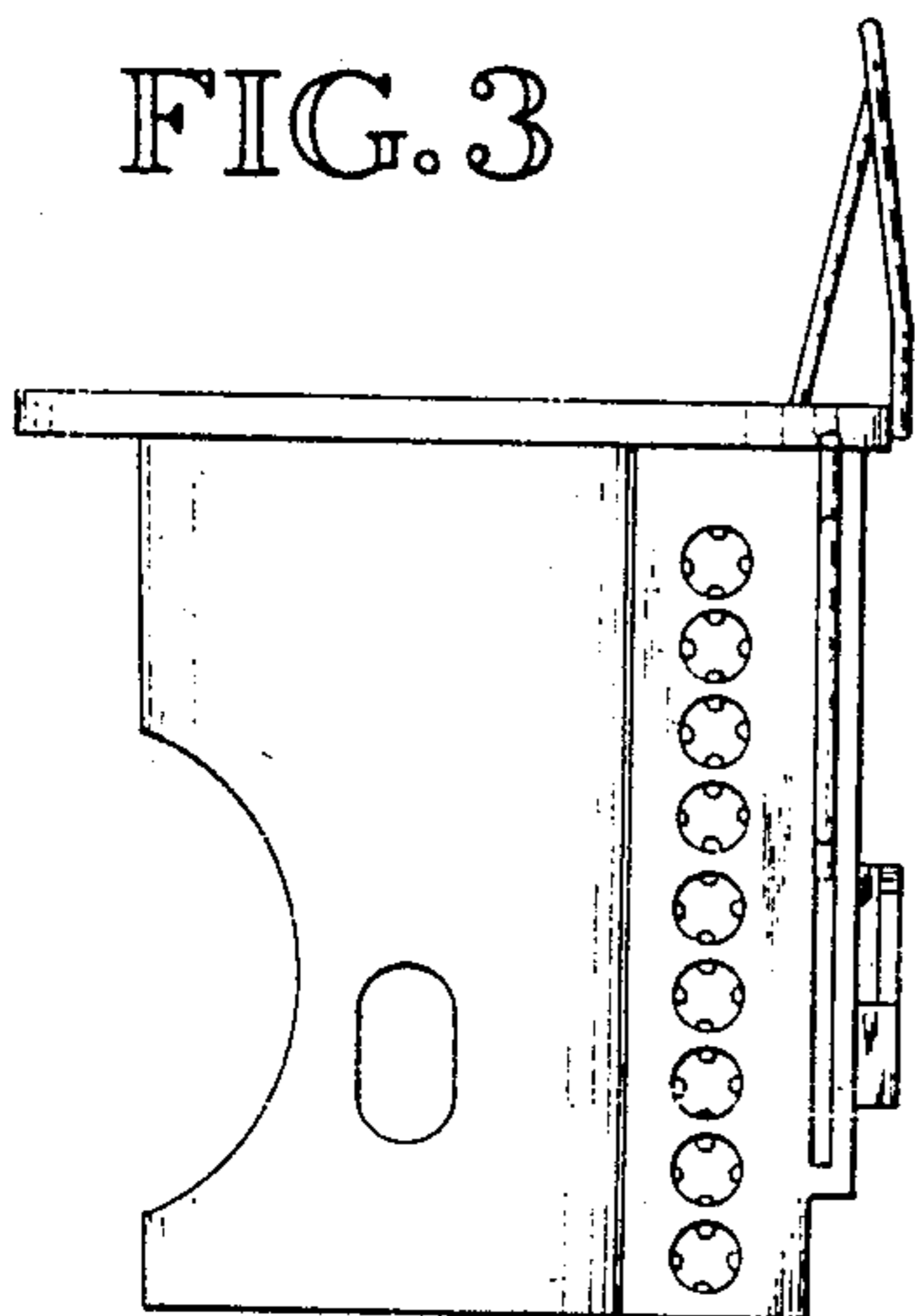


FIG. 5

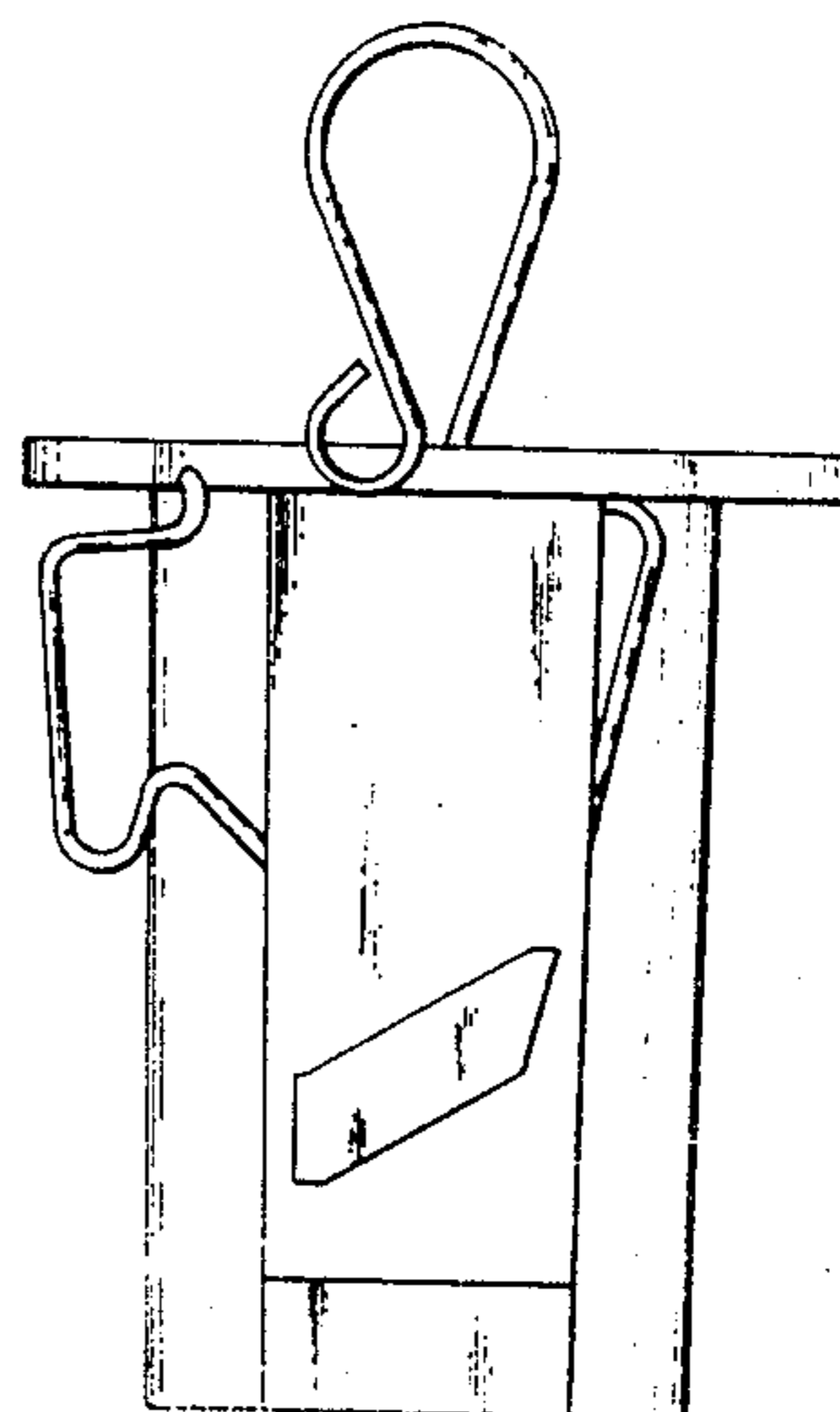
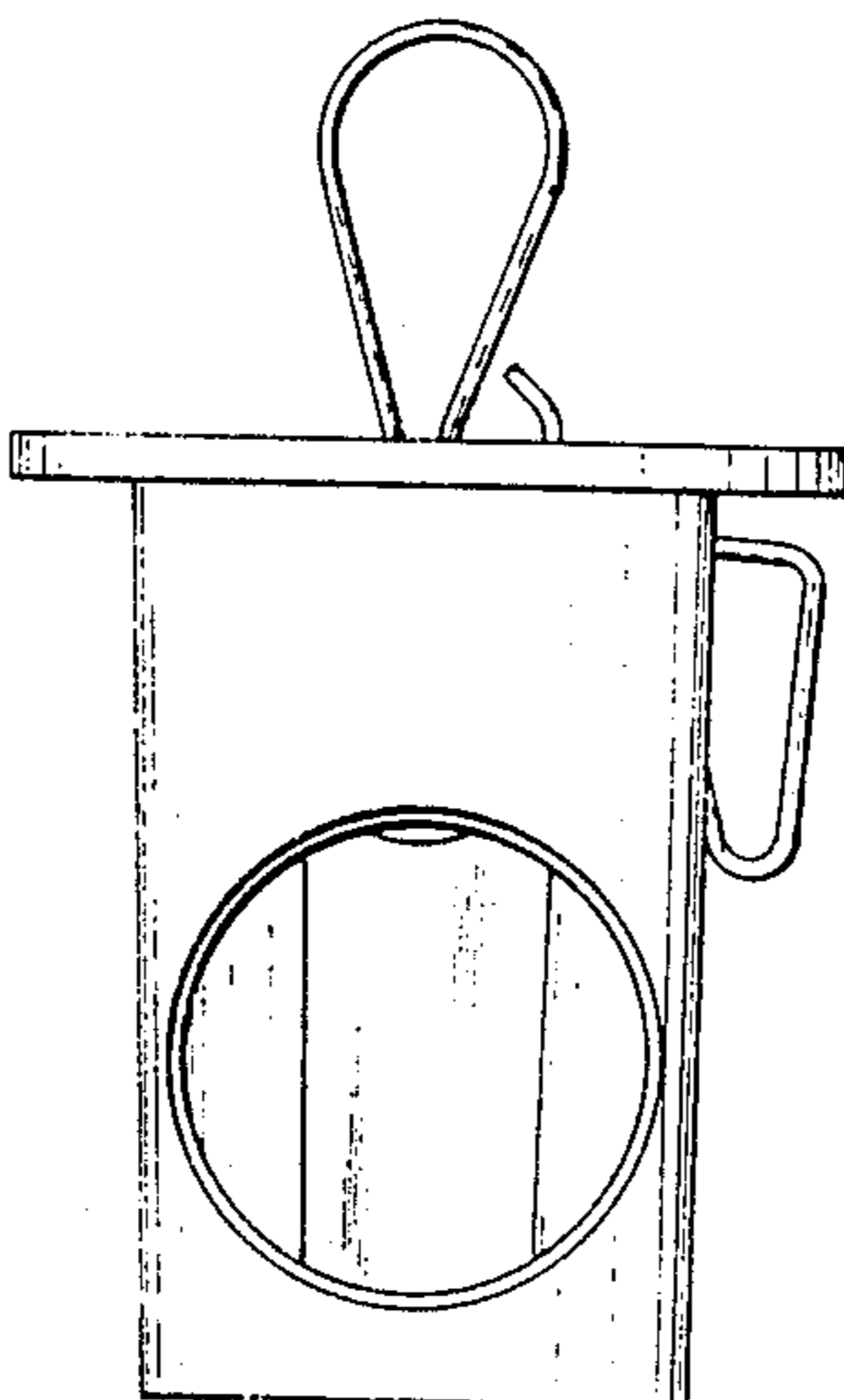


FIG. 4



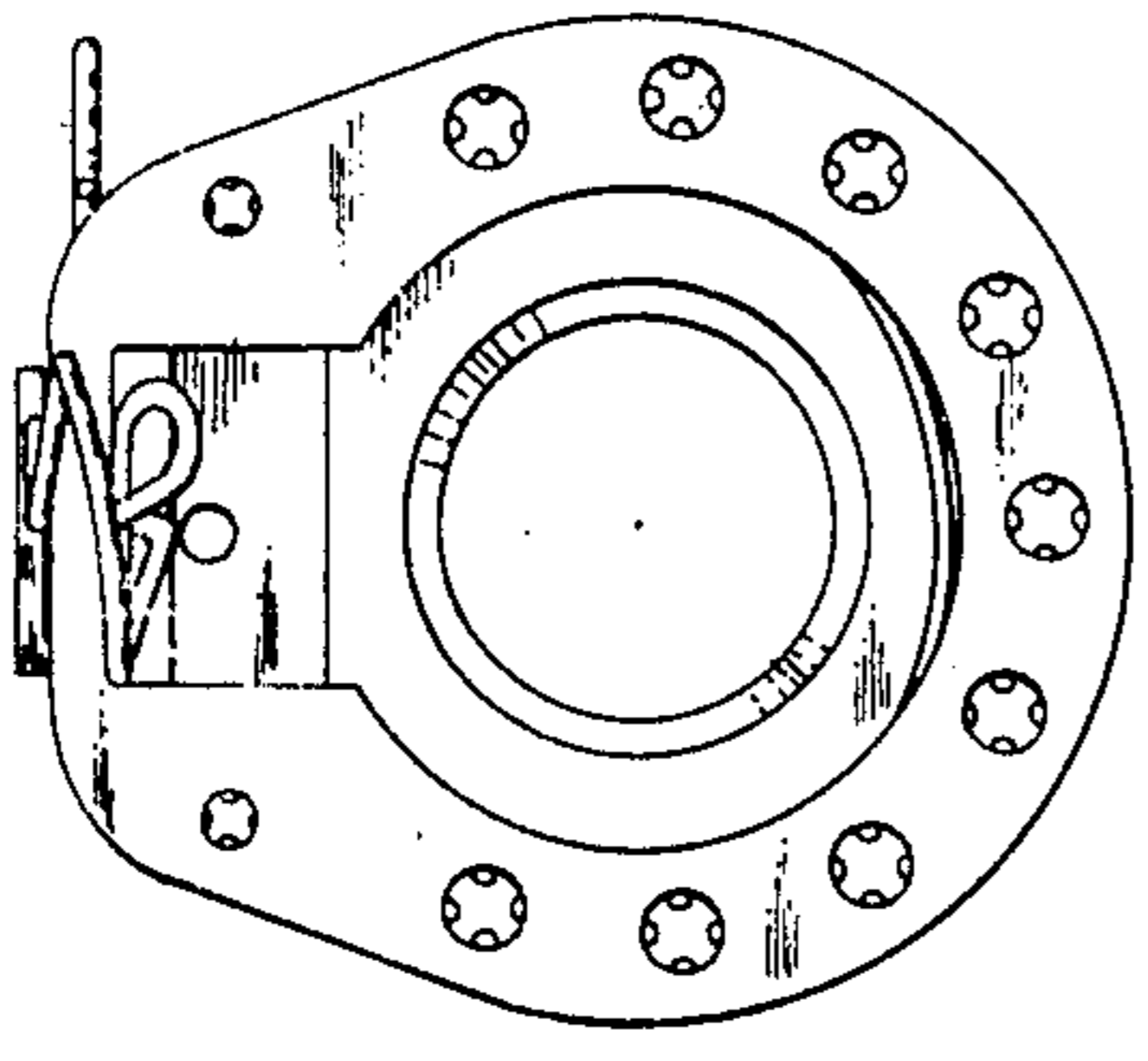


FIG. 6

FIG. 7

