

[54] **LUGGAGE OR SIMILAR ARTICLE**

[76] **Inventor:** Dick M. Hsieh, No. 18, Lane 777,
Chung Shan Rd., Kuei Jen Hsiang,
Tainan Hsien, Taiwan

[**] **Term:** 14 Years

[21] **Appl. No.:** 932,601

[22] **Filed:** Nov. 20, 1986

[52] **U.S. Cl.** D3/76

[58] **Field of Search** D3/30.1, 72, 73, 76,
D3/77; D8/330, 331, 336, 338; 150/103, 117;
190/18 H, 18 R, 100, 101, 115, 117, 126, 900,
901, 902; 206/278; 280/29; 312/124; 383/106

[56] **References Cited**

U.S. PATENT DOCUMENTS

- D. 281,652 12/1985 Bomes et al. D3/77 X
D. 285,626 9/1986 Yen D3/33 X
D. 291,625 9/1987 Bialo D3/76

OTHER PUBLICATIONS

Hi-Craft Industries, Luggage and Leather Goods,
Feb./1986, Item D.

Benwick, Luggage and Leather Goods, Apr./1985, p.
280.

H.I.T., Fit to be a H.I.T., Luggage and Leather Goods,
Apr./1985, p. 48.

Primary Examiner—Nelson C. Holtje

Assistant Examiner—Antoine D. Davis

Attorney, Agent, or Firm—Lowe, Price, LeBlanc,
Becker & Shur

[57] **CLAIM**

The ornamental design for luggage or similar article, as
shown and described.

DESCRIPTION

FIG. 1 is a perspective view of luggage or similar article
showing my new design;

FIG. 2 is a front elevational view thereof;

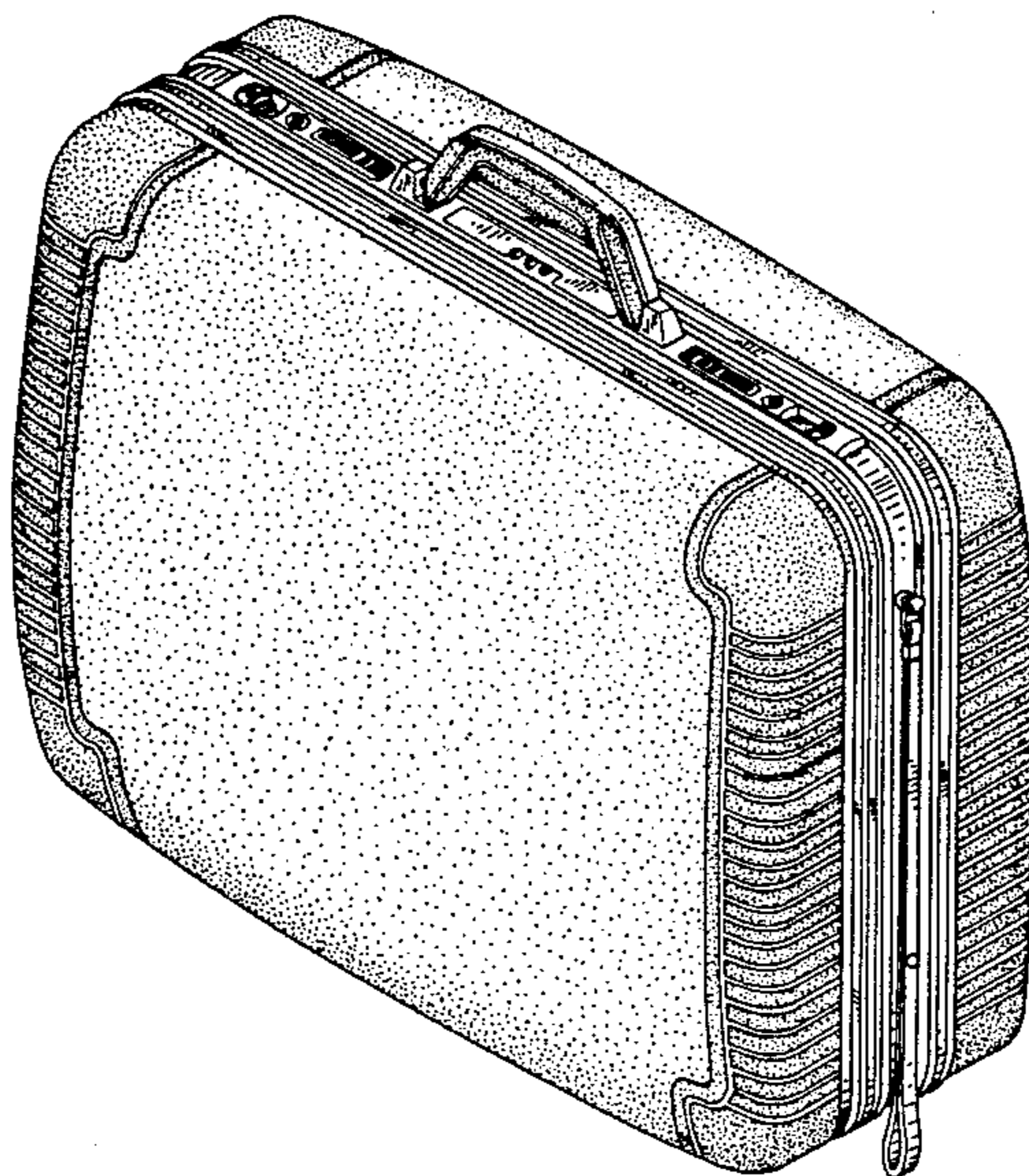
FIG. 3 is a rear elevational view thereof;

FIG. 4 is a left side elevational view thereof;

FIG. 5 is a right side elevational view thereof;

FIG. 6 is a top plan view thereof; and

FIG. 7 is a bottom plan view thereof.



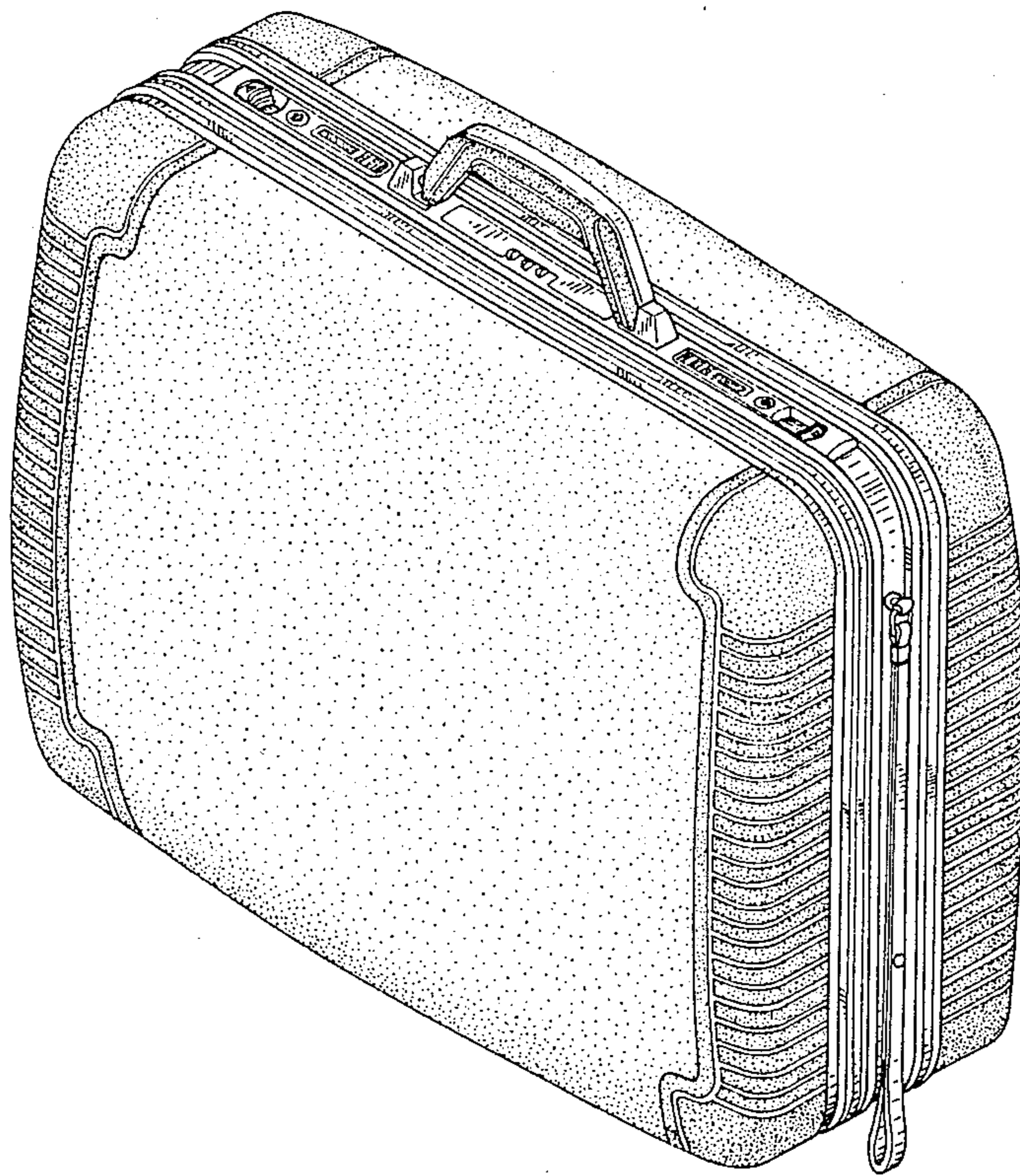


FIG. 1

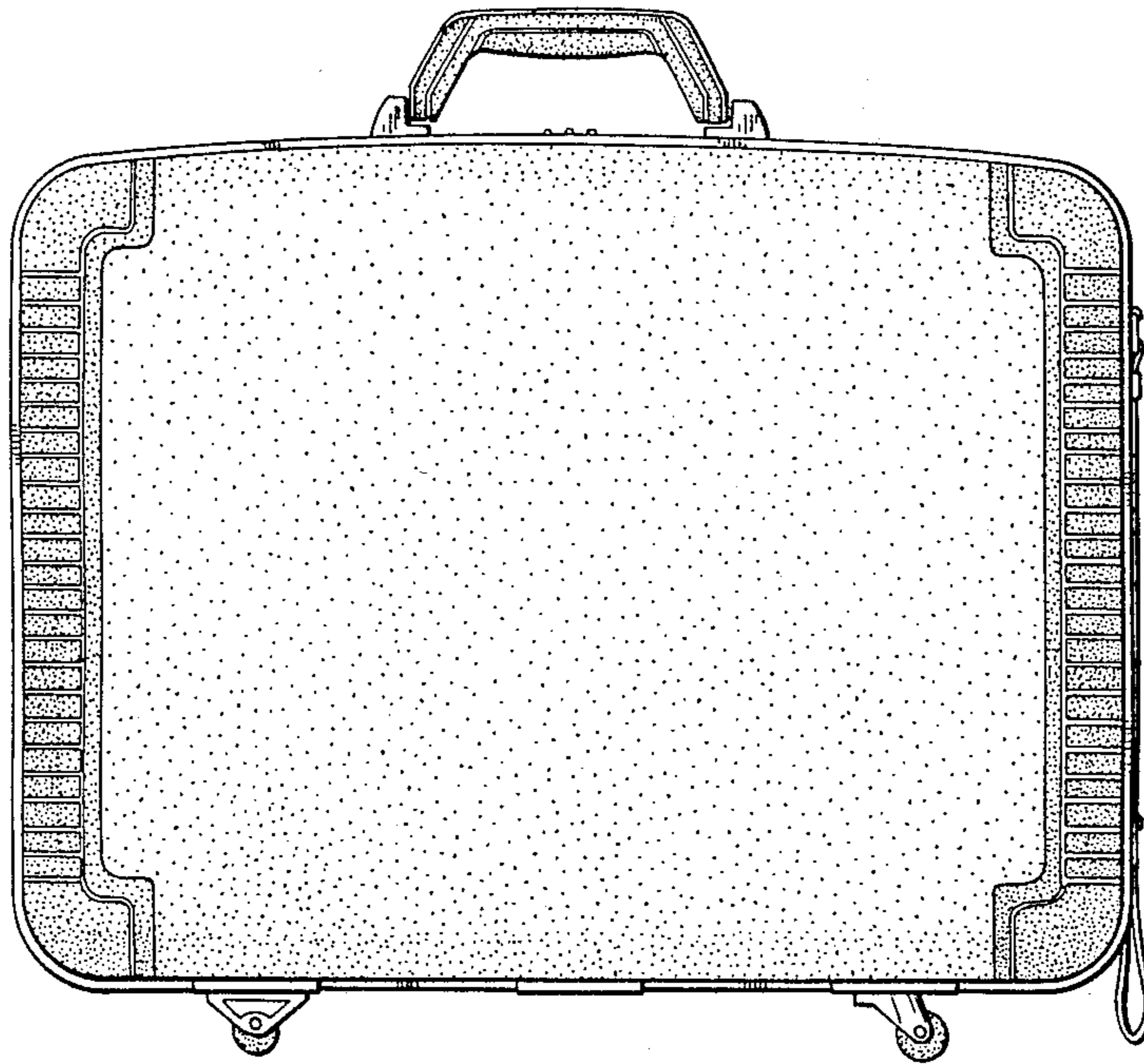


FIG. 2

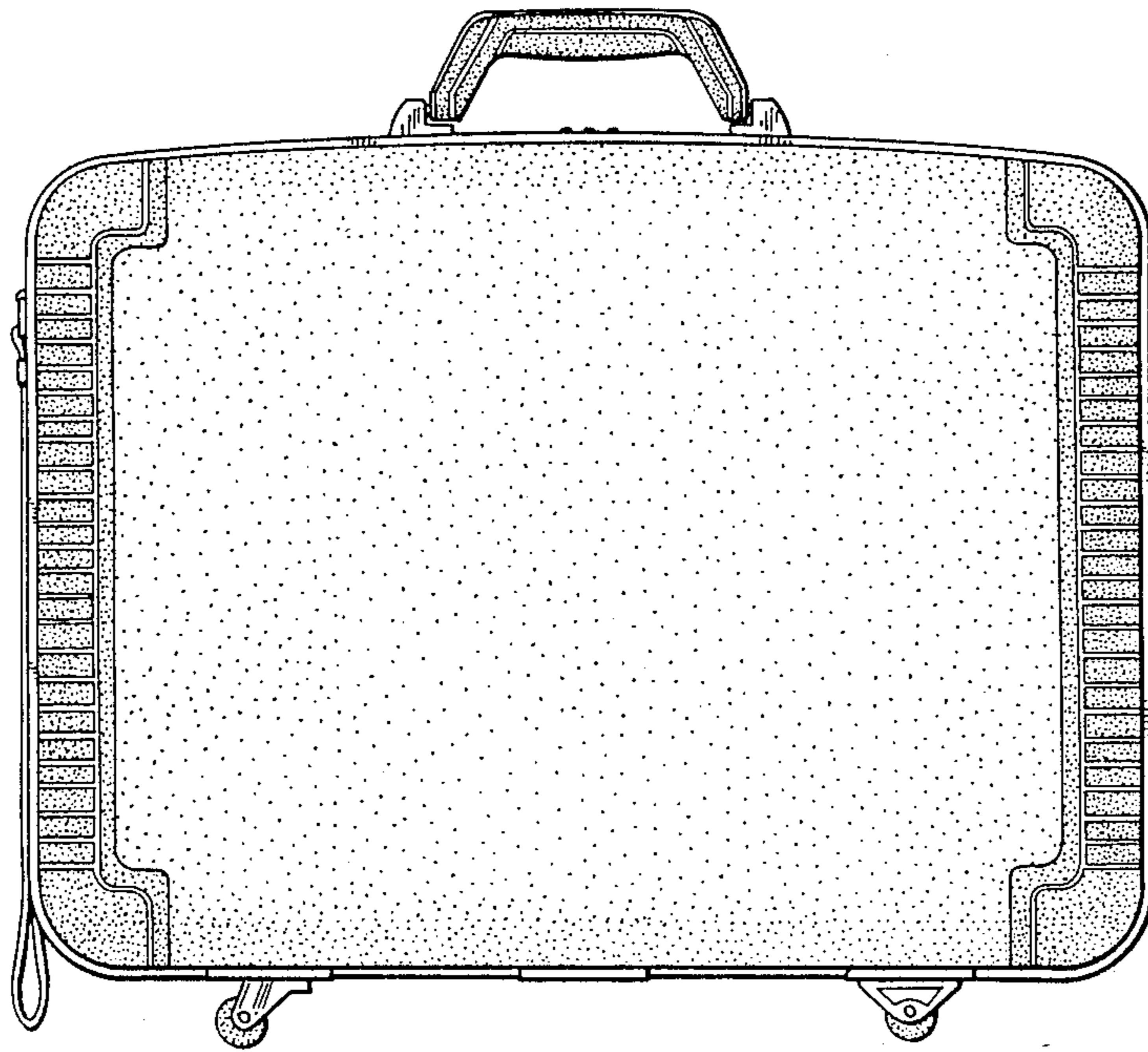


FIG. 3

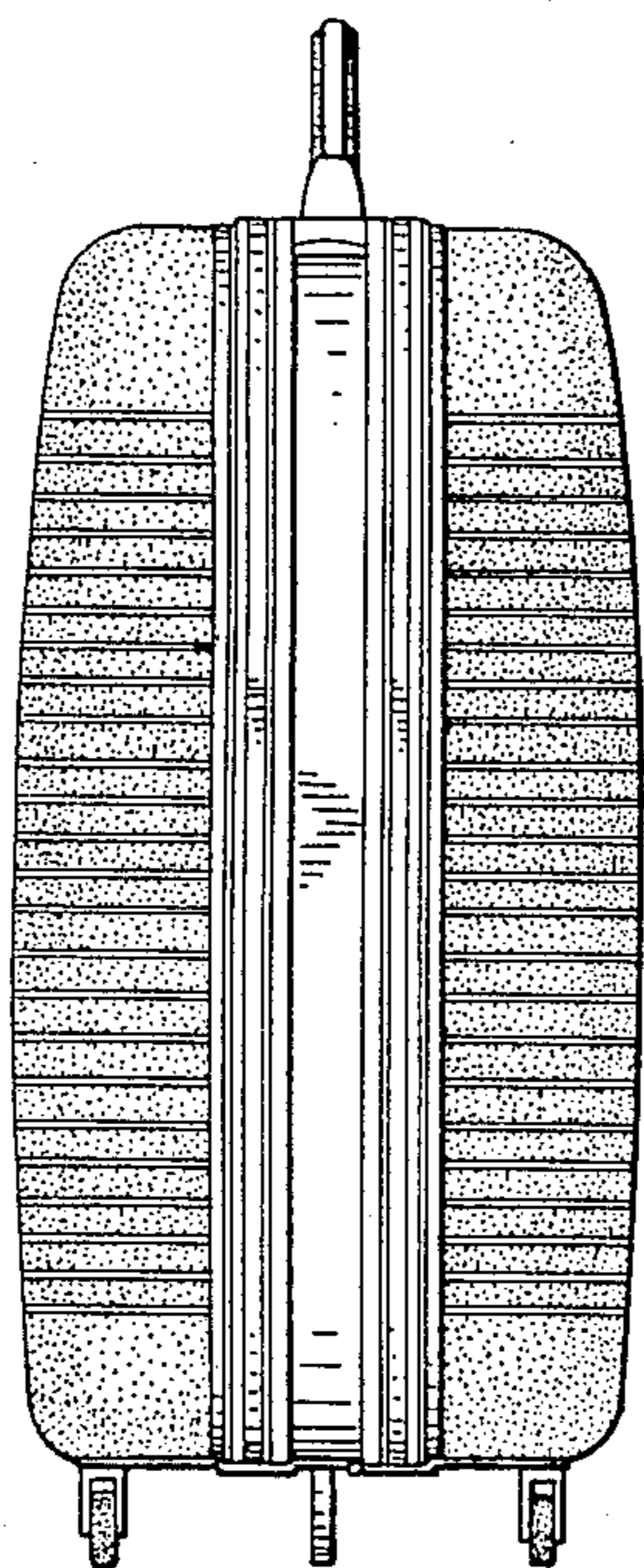


FIG. 4

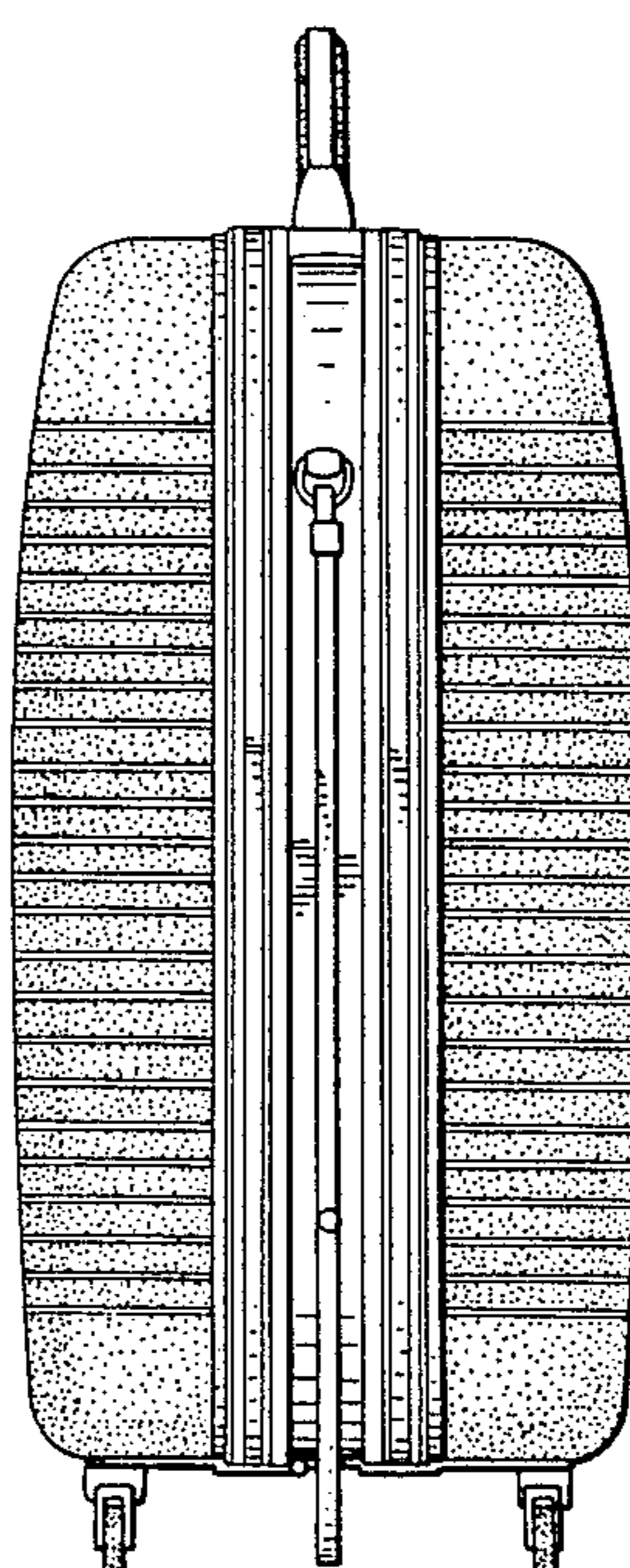


FIG. 5

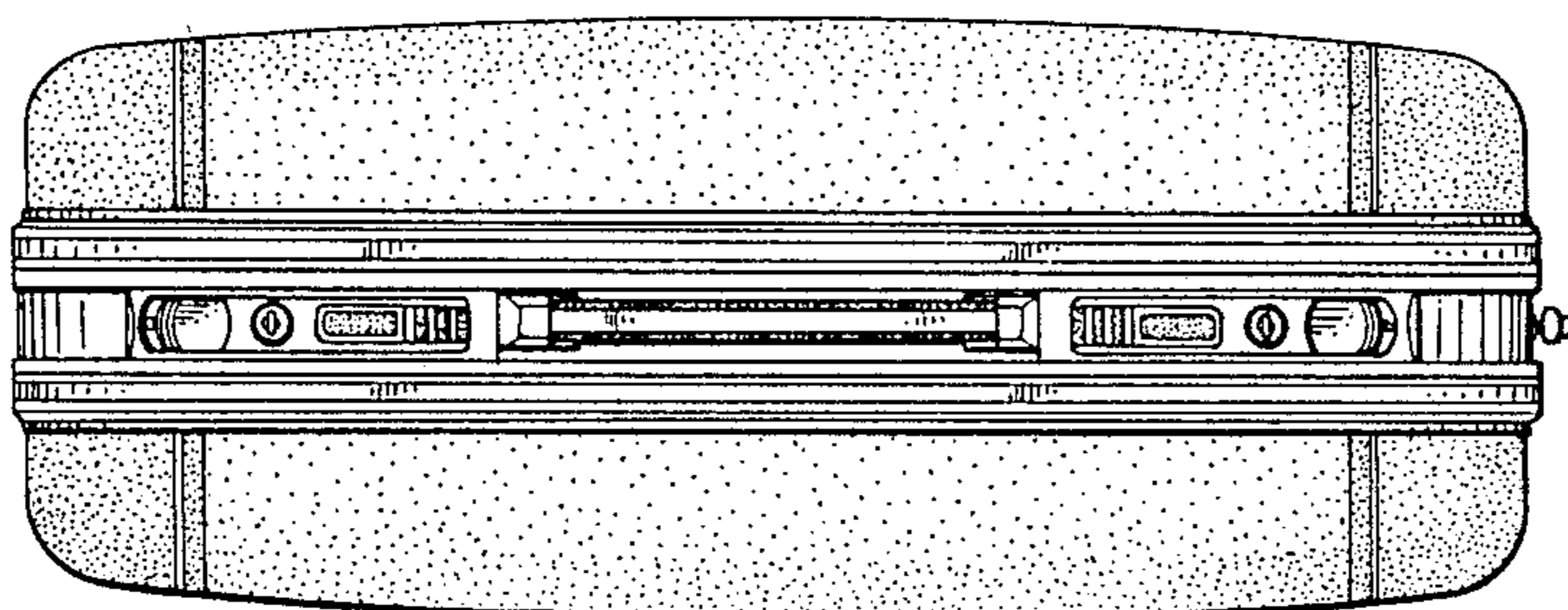


FIG. 6

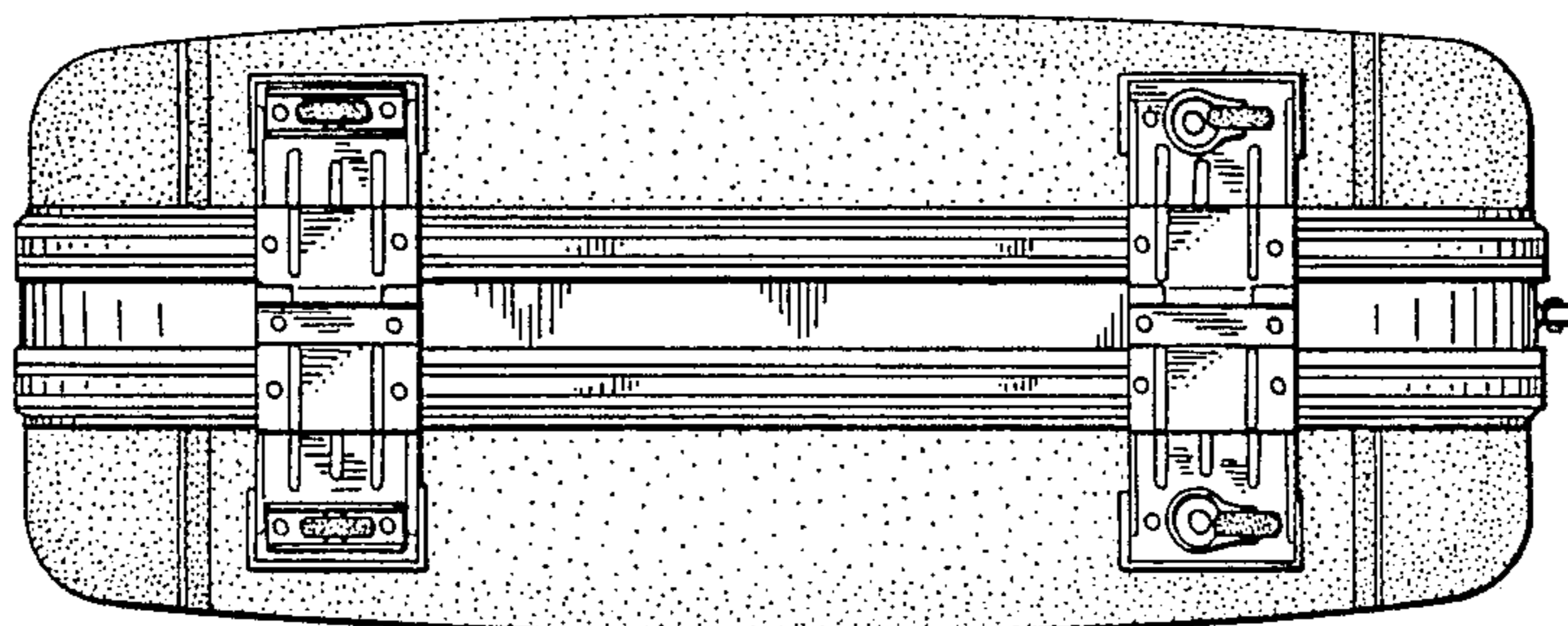


FIG. 7