

[54] TOOL BOX ADD-ON COMPARTMENT

[76] Inventor: Charles W. Materna, 1880 Ledge Rd., Granger, Ohio 44256

[**] Term: 14 Years

[21] Appl. No.: 916,036

[22] Filed: Oct. 3, 1986

[52] U.S. Cl. D3/74

[58] Field of Search D3/74, 78, 99, 105; D34/12, 19, 27; 206/379, 377, 371, 372-378, 349, 811, 443, 461, 486, 3; 220/4 B, 18, 334, 315; 312/DIG. 33, 245, 246, 327; D6/559; 248/225.1, 225.2, 225.3, 214

[56] References Cited

U.S. PATENT DOCUMENTS

D. 184,508	3/1959	Burt	248/214
1,213,755	1/1917	Davies	206/3
2,986,282	5/1961	Brink	248/225.2
3,117,353	1/1964	Edwards	248/225.2
3,207,566	9/1965	Grieco et al.	312/327
3,757,933	9/1973	Banta	206/3
3,986,649	10/1976	Heimstra	312/245
4,175,660	12/1979	Feibelman	206/461
4,303,159	12/1981	Stone et al.	206/387
4,615,571	10/1986	Swank	D6/559

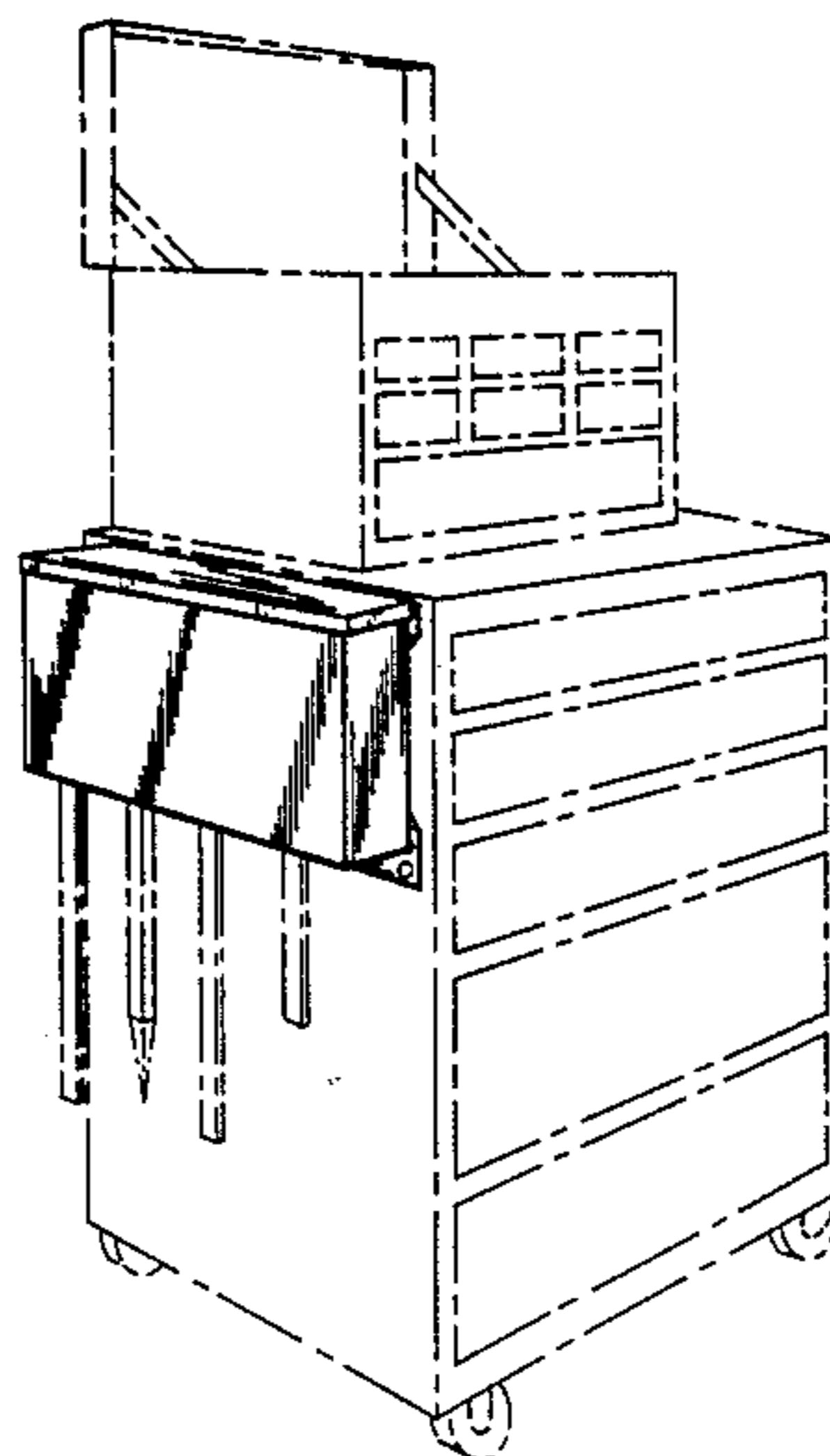
Primary Examiner—Nelson C. Holtje
Assistant Examiner—Antoine D. Davis
Attorney, Agent, or Firm—Ronald R. Stanley

[57] CLAIM

The ornamental design for a tool box add-on compartment, as shown and described.

DESCRIPTION

FIG. 1 is a top and left, front perspective view of a tool box add-on compartment showing my new design, the broken-line showing of a tool box is environmental only and forms no part of the claimed design; FIG. 2 is a rear perspective view thereof; FIG. 3 is a rear elevational view thereof; FIG. 4 is a right side elevational view thereof; FIG. 5 is a left side elevational view thereof; FIG. 6 is a top plan view thereof, with the lid open; FIG. 7 is a top plan view thereof, with the lid closed; FIG. 8 is a bottom plan view thereof; FIG. 9 is a top perspective view thereof; FIG. 10 is a side elevational view showing the second embodiment of my new design of FIGS. 1-9; FIG. 11 is a side elevational view thereof with the lid open; FIG. 12 is a bottom plan view of the third embodiment of my new design of FIGS. 1-9.



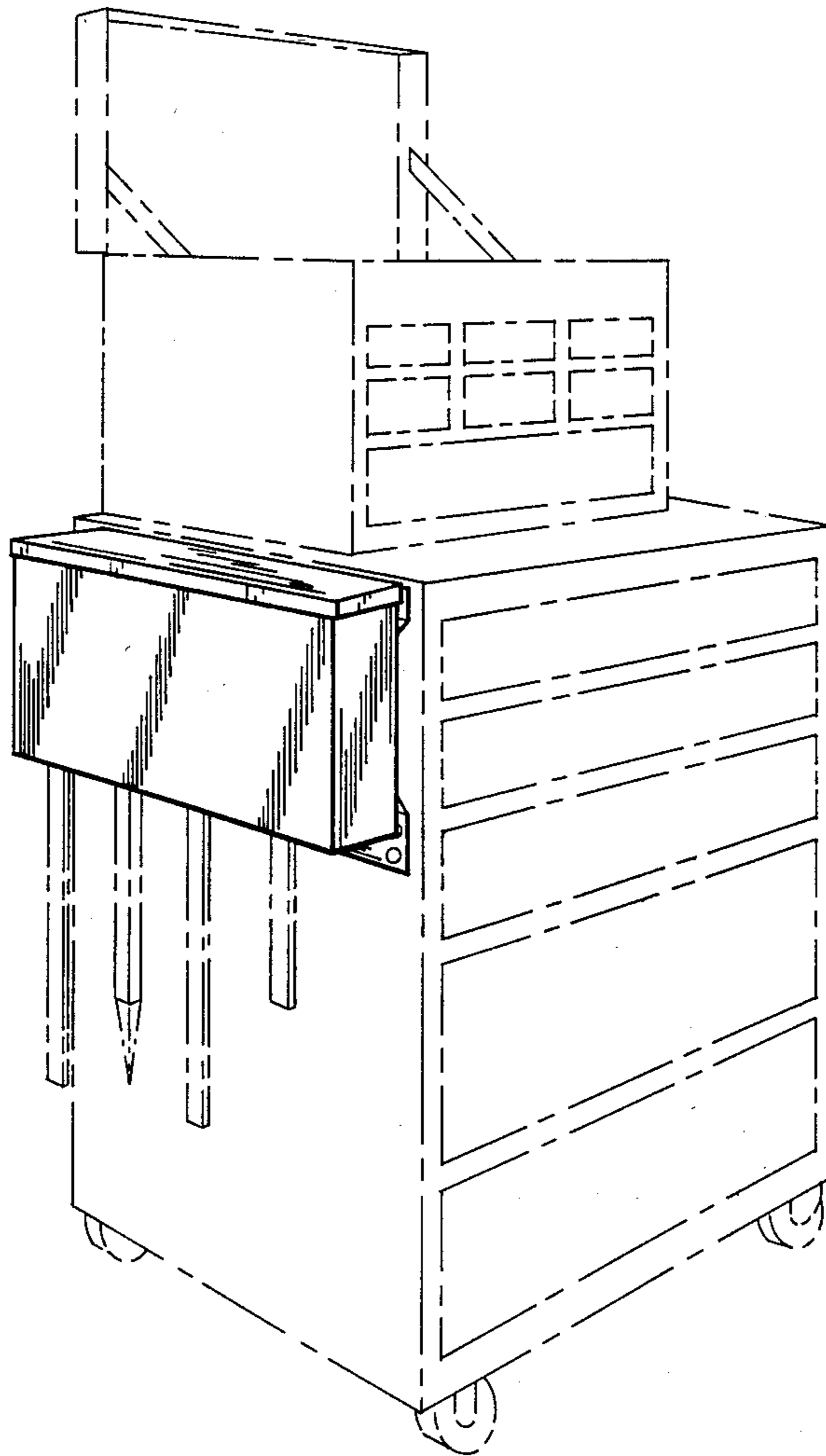


FIG. 1

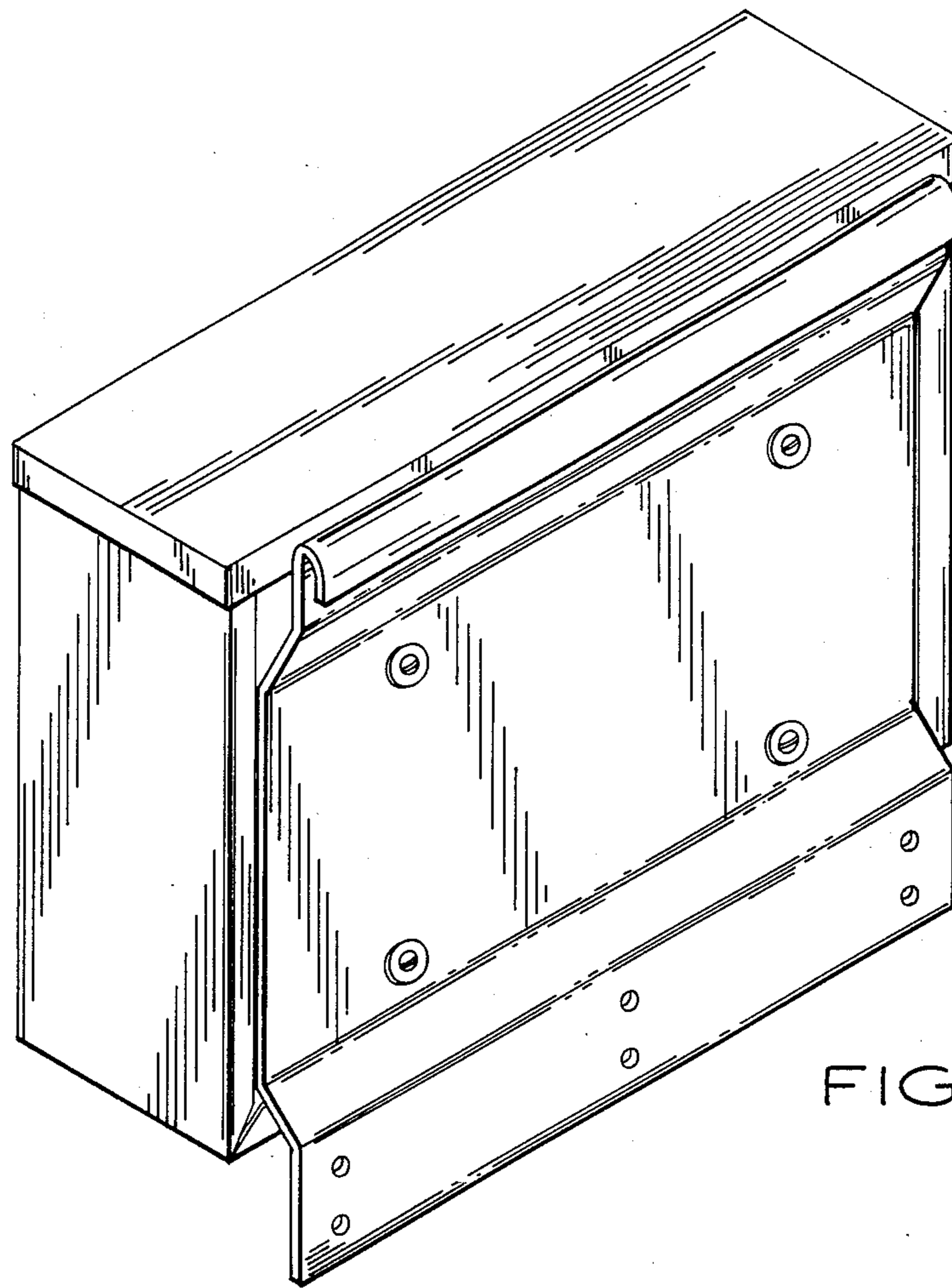
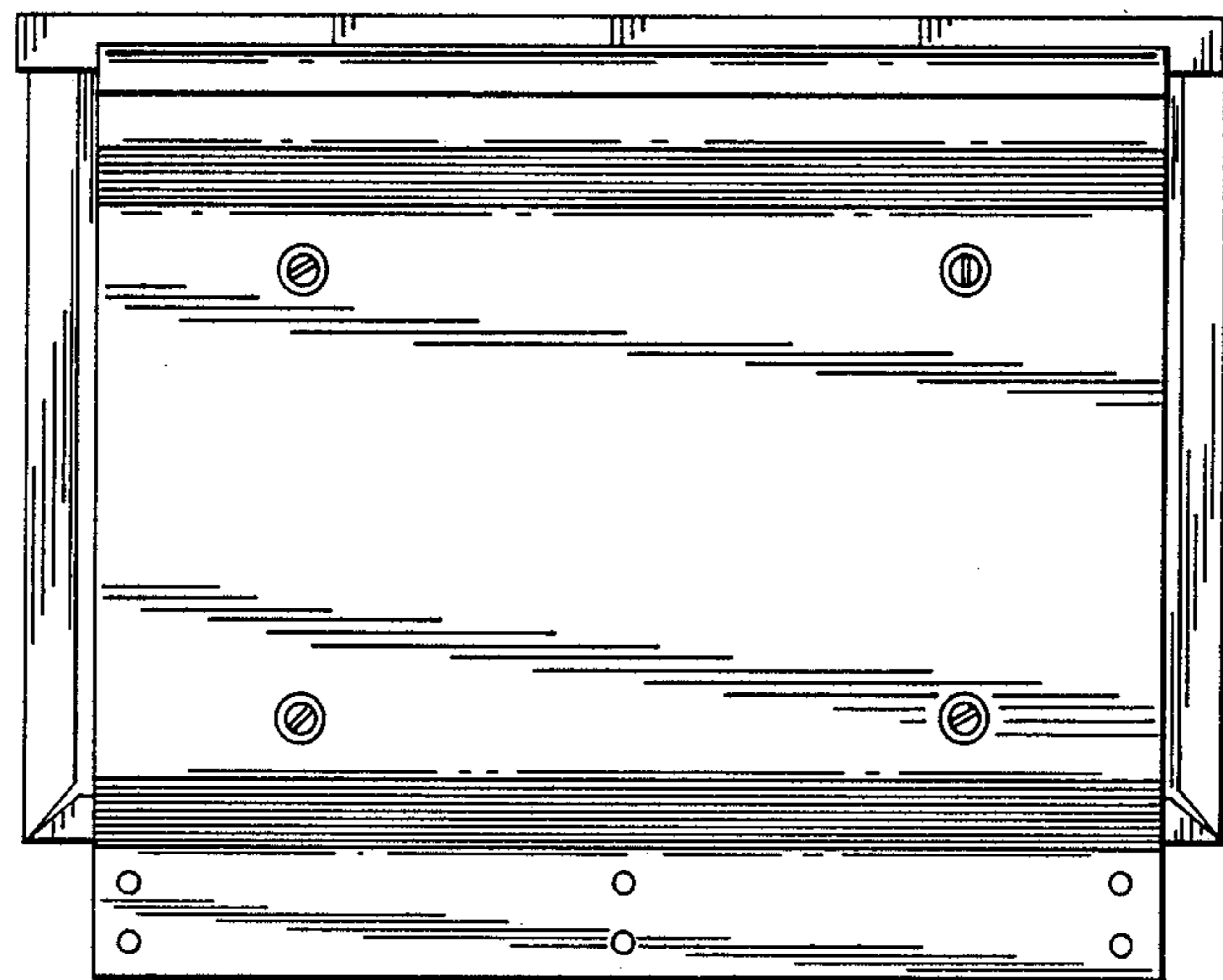


FIG. 2

FIG. 3



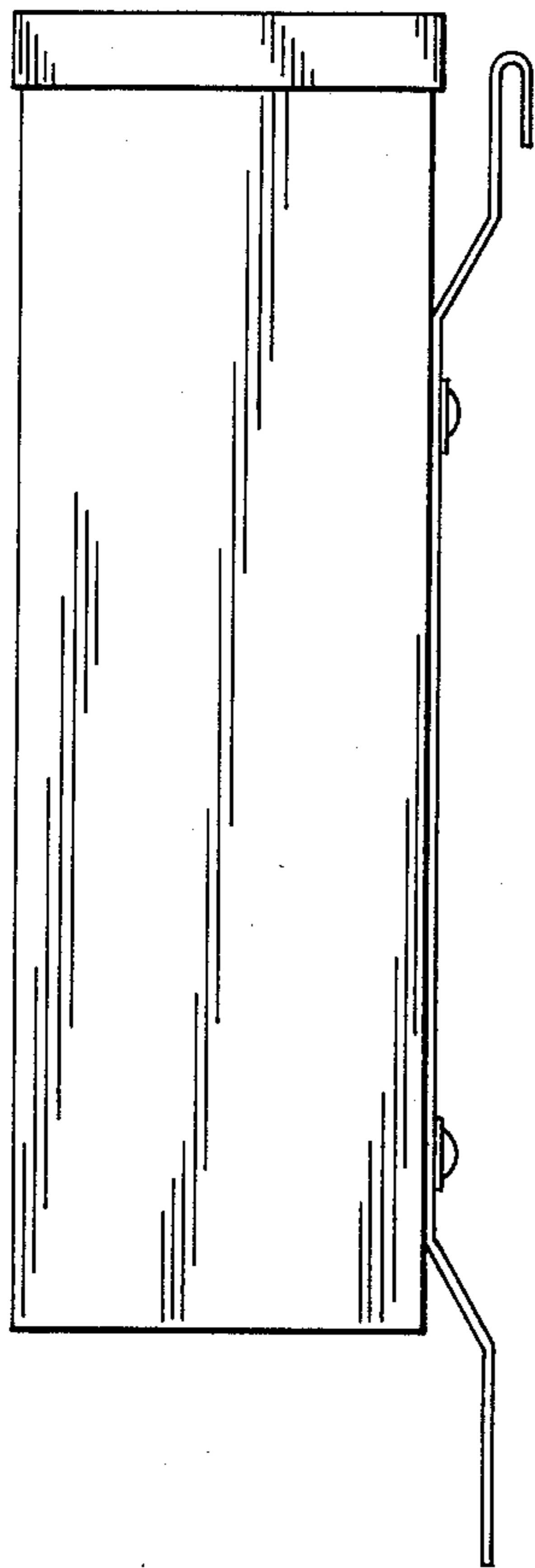


FIG. 4

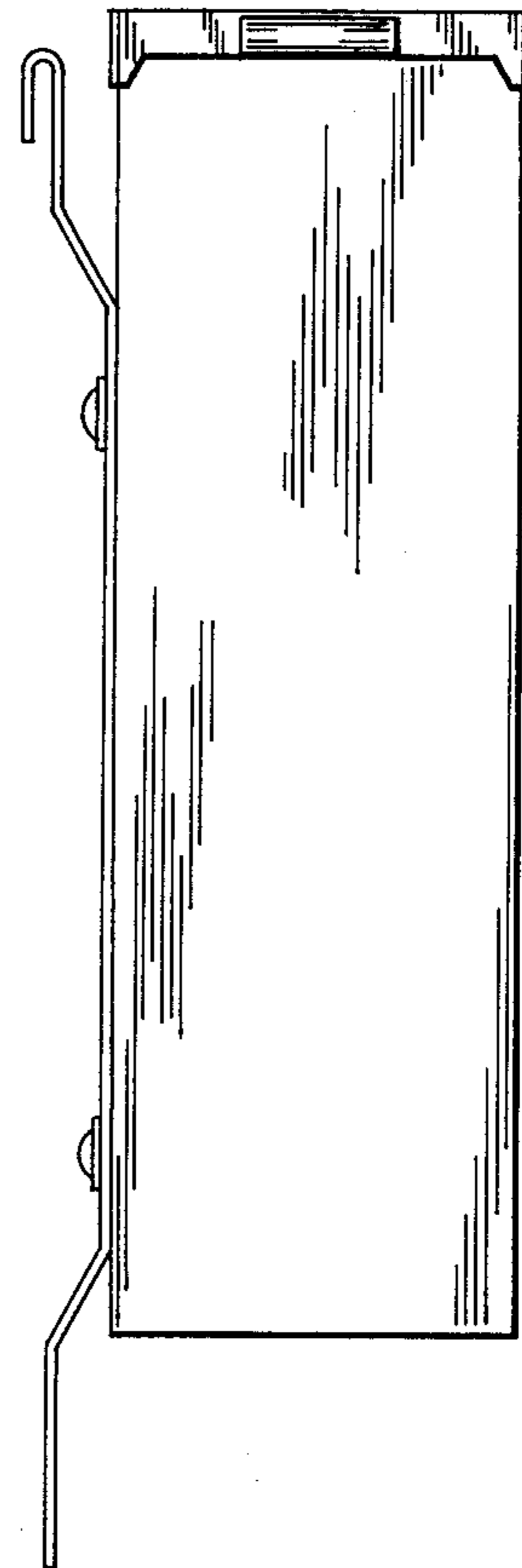


FIG. 5

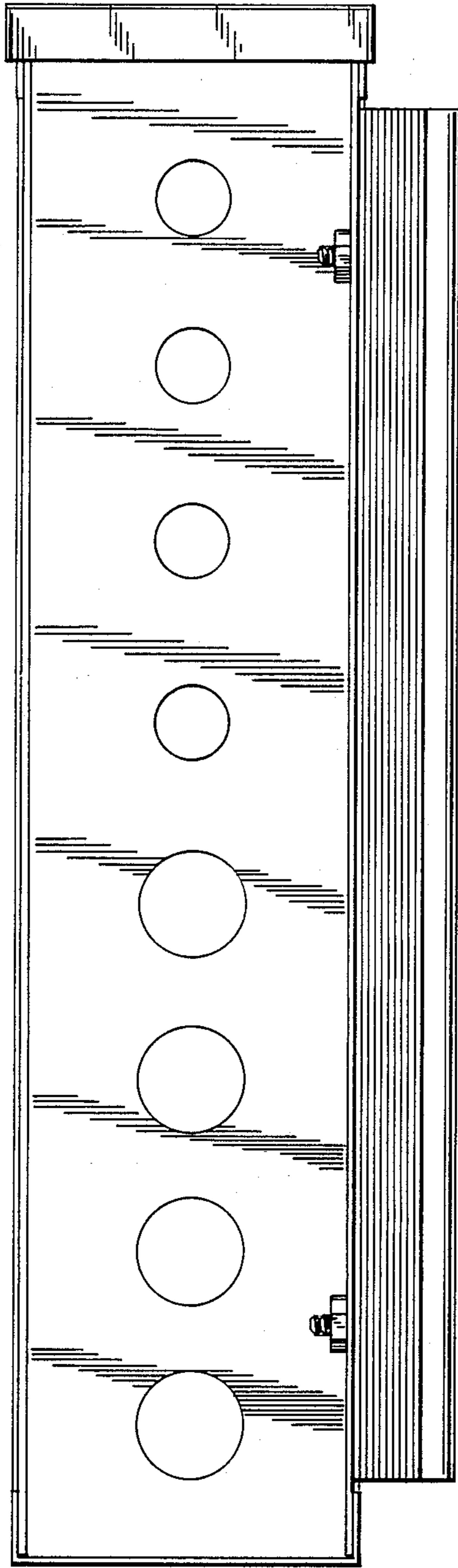


FIG. 6

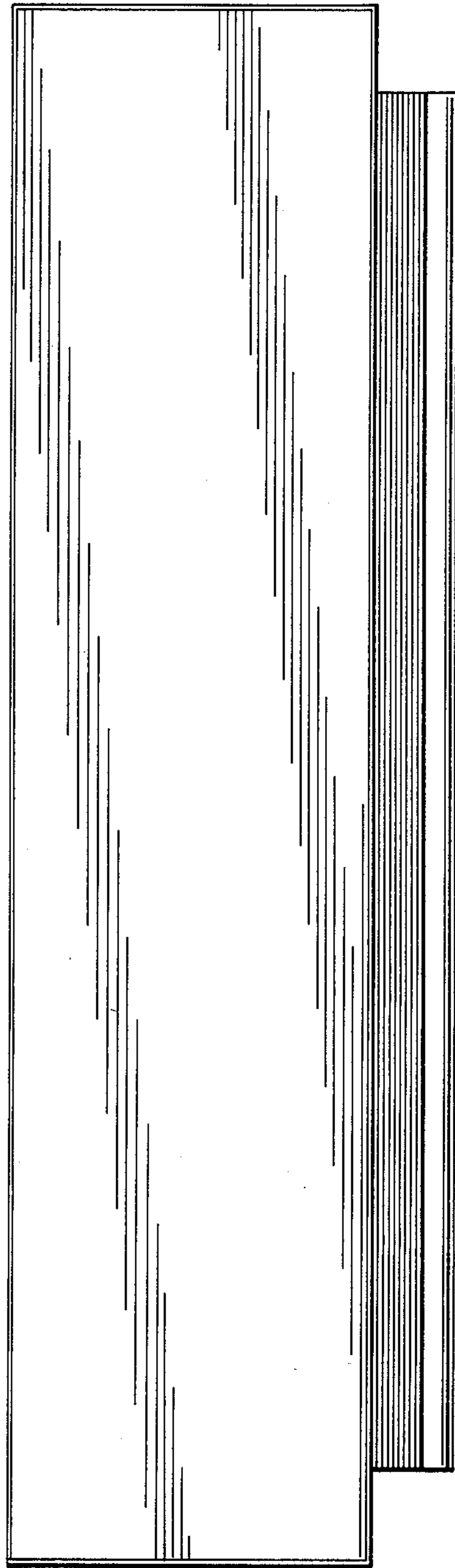


FIG. 7

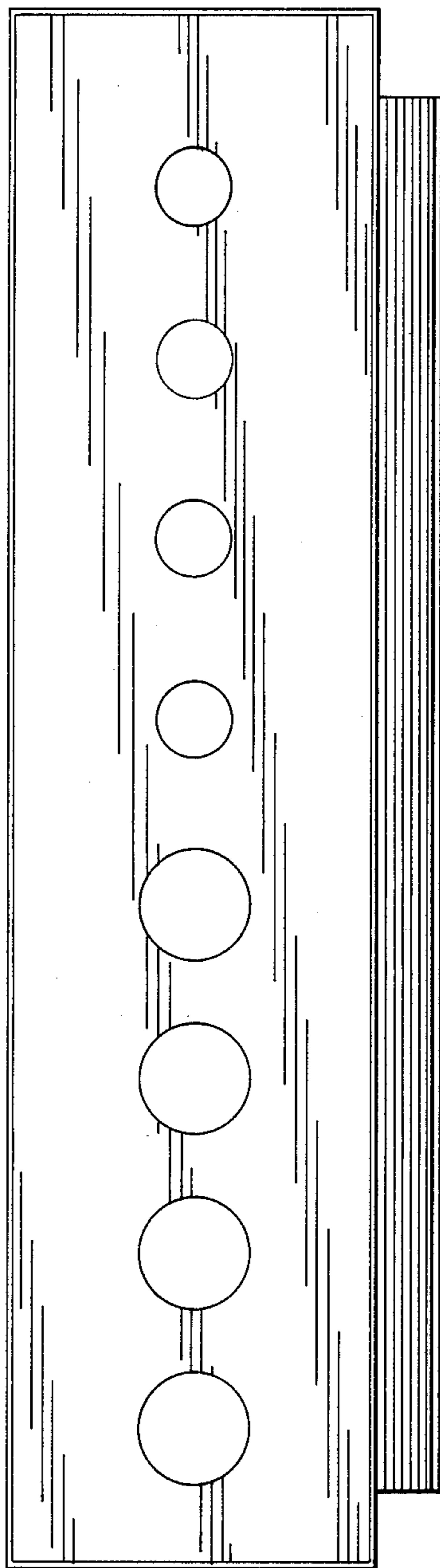


FIG. 8

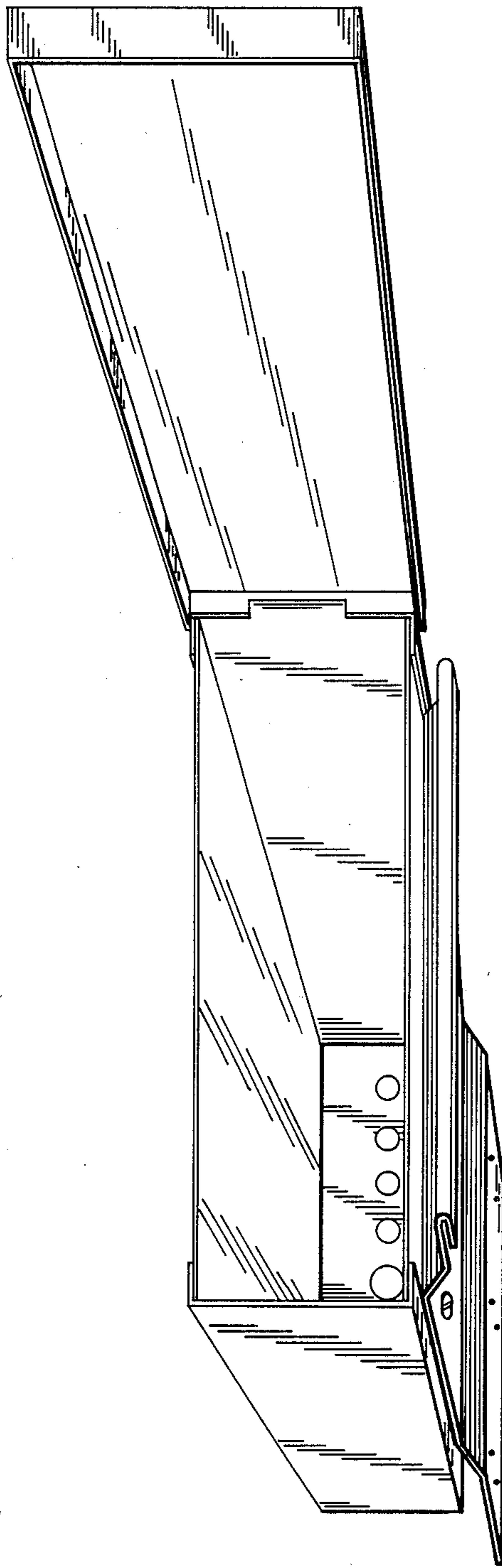


FIG. 9

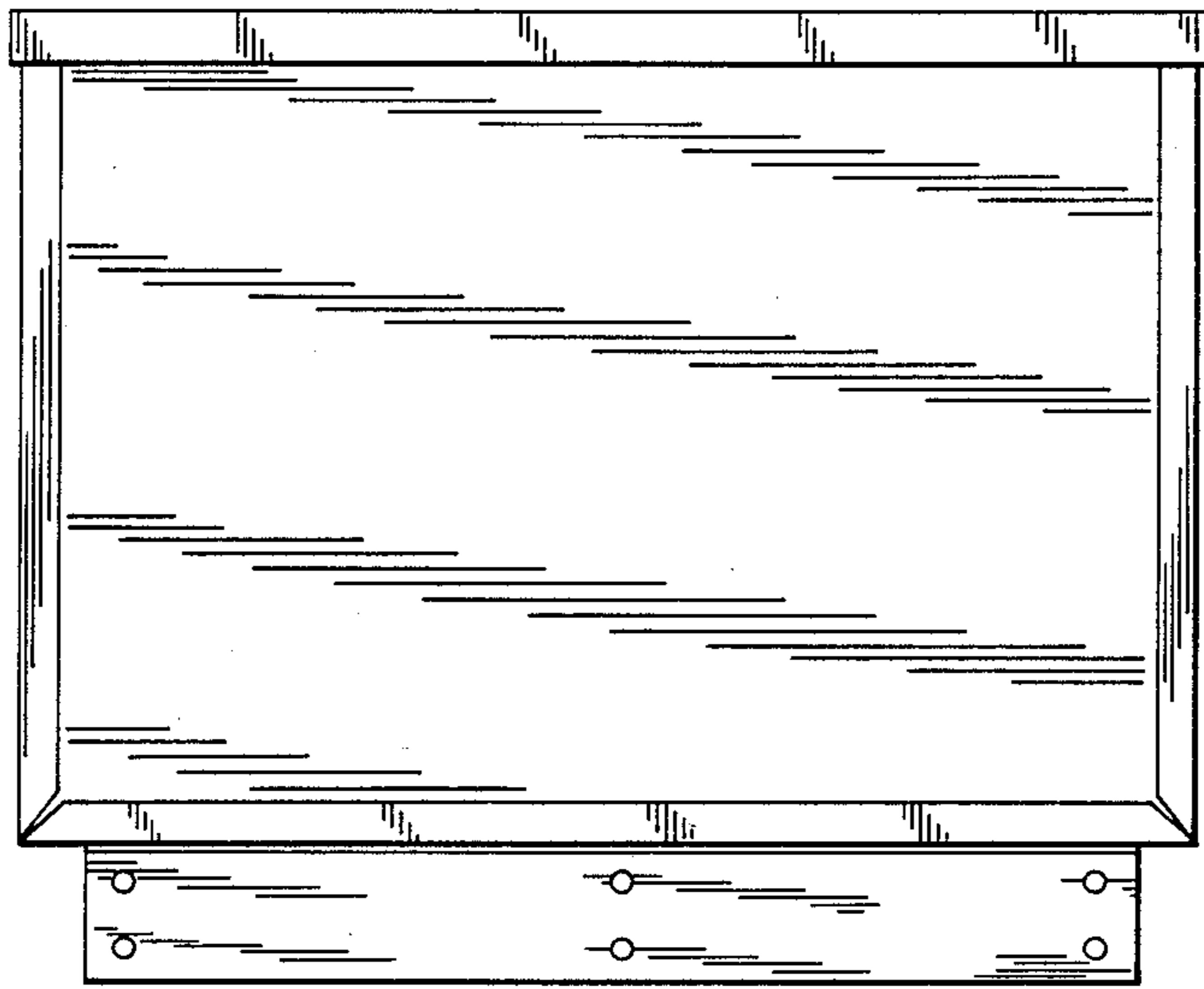


FIG. 10

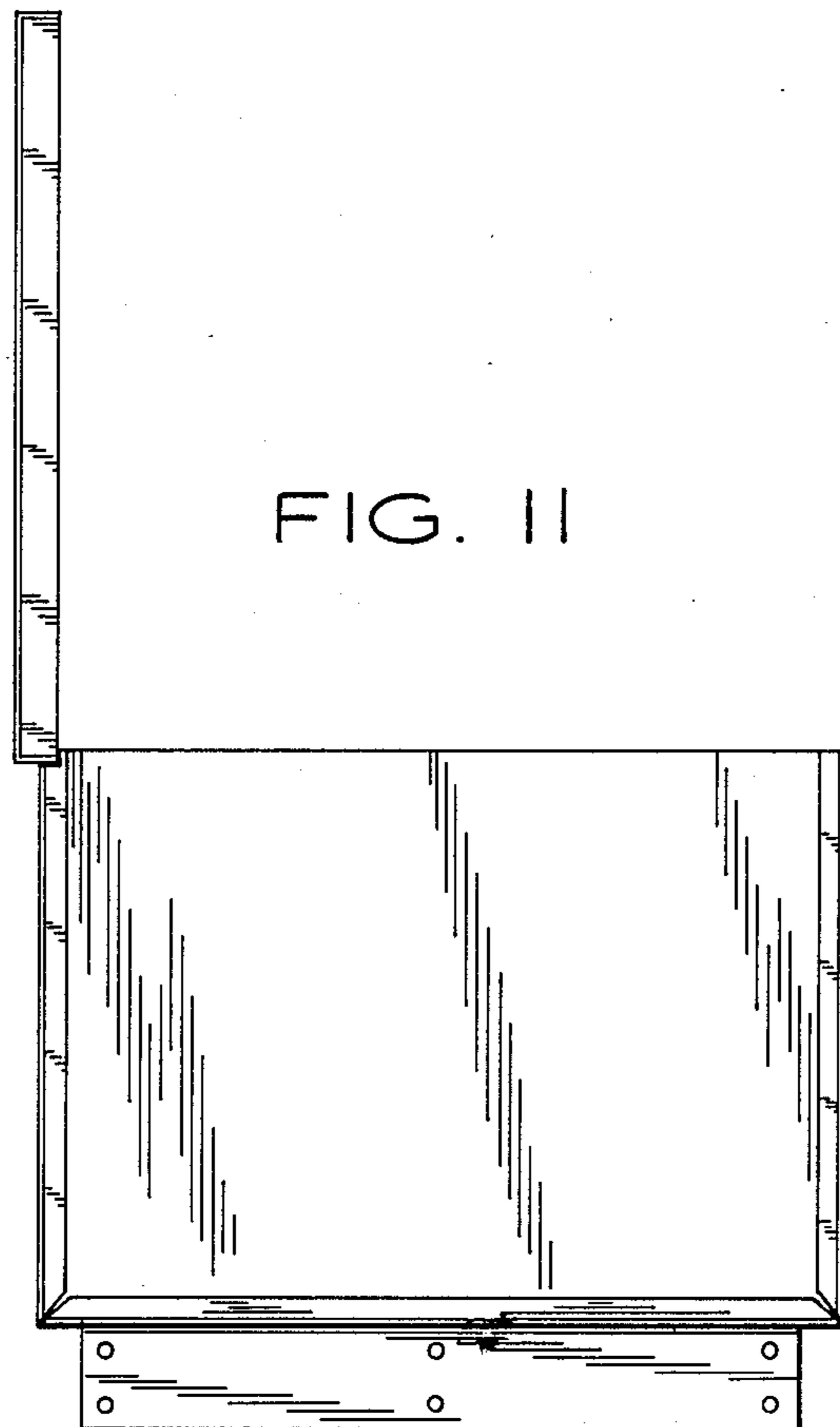


FIG. 11

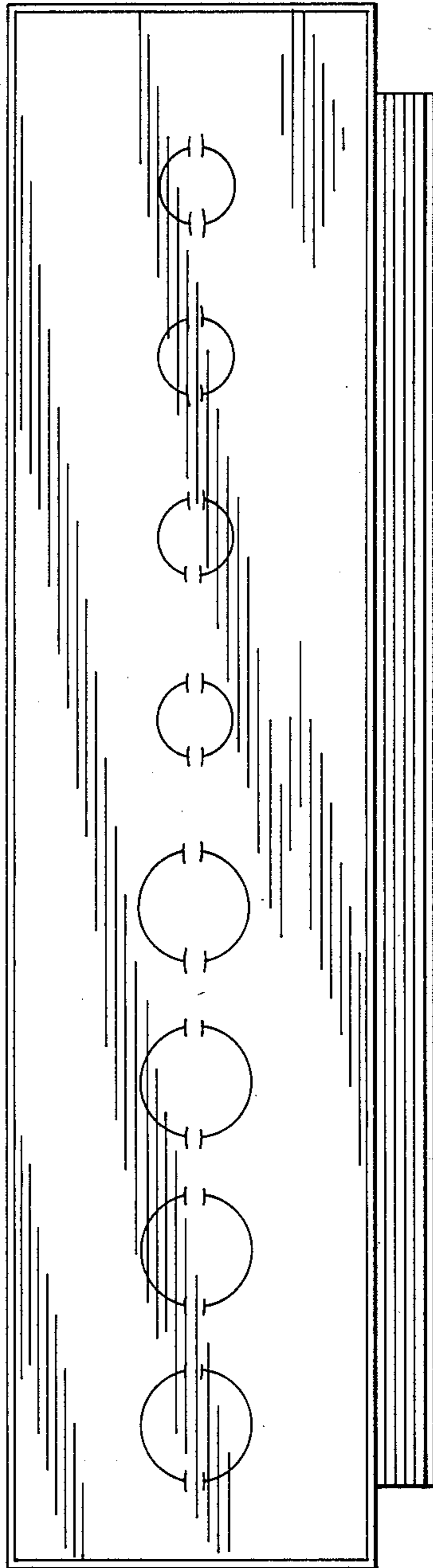


FIG. 12