

[54] TELESCOPING PORTABLE MECHANICAL LIFT

[75] Inventor: Andrew H. Daugherty, Hammond, Ind.

[73] Assignee: Vermette Machine Company, Inc., Hammond, Ind.

[**] Term: 14 Years

[21] Appl. No.: 882,695

[22] Filed: Jul. 7, 1986

[52] U.S. Cl. D34/28

[58] Field of Search 187/11, 9 R; 414/785; D34/28

4,395,188 7/1983 Kaup 414/785
4,421,209 12/1983 Vermette et al. 187/11
4,458,785 7/1984 Bushnell, Jr. 187/9 E

FOREIGN PATENT DOCUMENTS

743797 10/1966 Canada 187/11
151236 3/1932 Switzerland 16/331

OTHER PUBLICATIONS

Genie Lifting Tools, etc., 1984, Genie Industries.
Operator's Manual Series 750 Lift, May 1985, Sumner.

Primary Examiner—Wallace R. Burke
Assistant Examiner—Kay H. Chin
Attorney, Agent, or Firm—Richard G. Kinney

[56] References Cited

U.S. PATENT DOCUMENTS

1,328,874 1/1920 Henault 16/229
2,565,820 8/1951 Machanic 280/38
3,157,433 11/1964 Davis 16/332
3,477,600 11/1969 Sawyer 414/785
3,567,054 3/1971 Emke 414/785
3,876,039 4/1975 Bushnell, Jr. 187/11
3,957,137 5/1976 Vermette 187/11
4,015,686 4/1977 Bushnell, Jr. 187/11
4,131,181 12/1978 Vermette 187/11
4,194,591 3/1980 Fisher 182/17

[57] CLAIM

The ornamental design for a telescoping portable mechanical lift, as shown and described.

DESCRIPTION

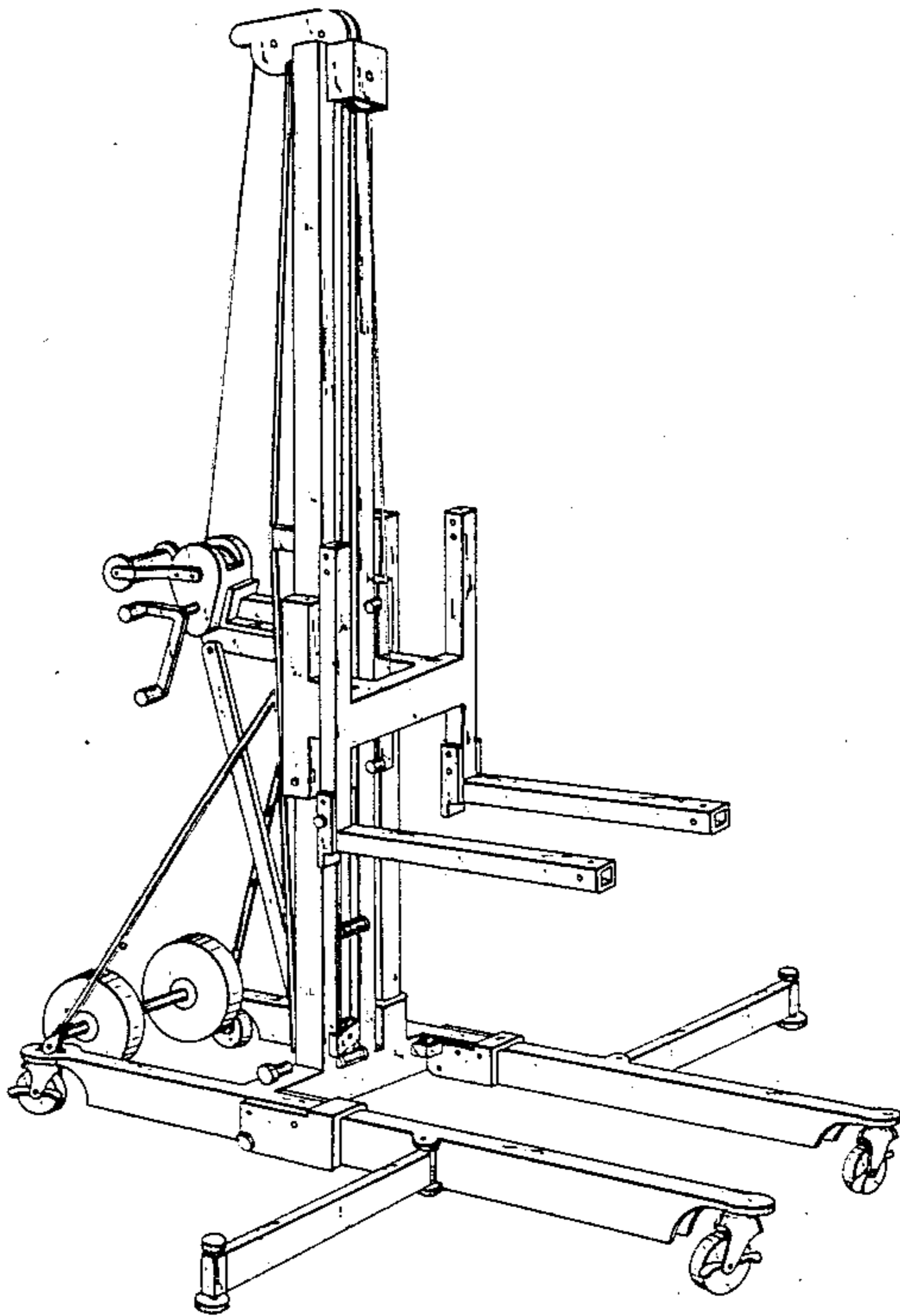
FIG. 1 is an enlarged front perspective view of a telescoping portable mechanical lift showing my new design.

FIG. 2 is a rear elevational view thereof.

FIG. 3 is a top plan view thereof.

FIG. 4 is a left side elevational view thereof.

FIG. 5 is a bottom plan view thereof.



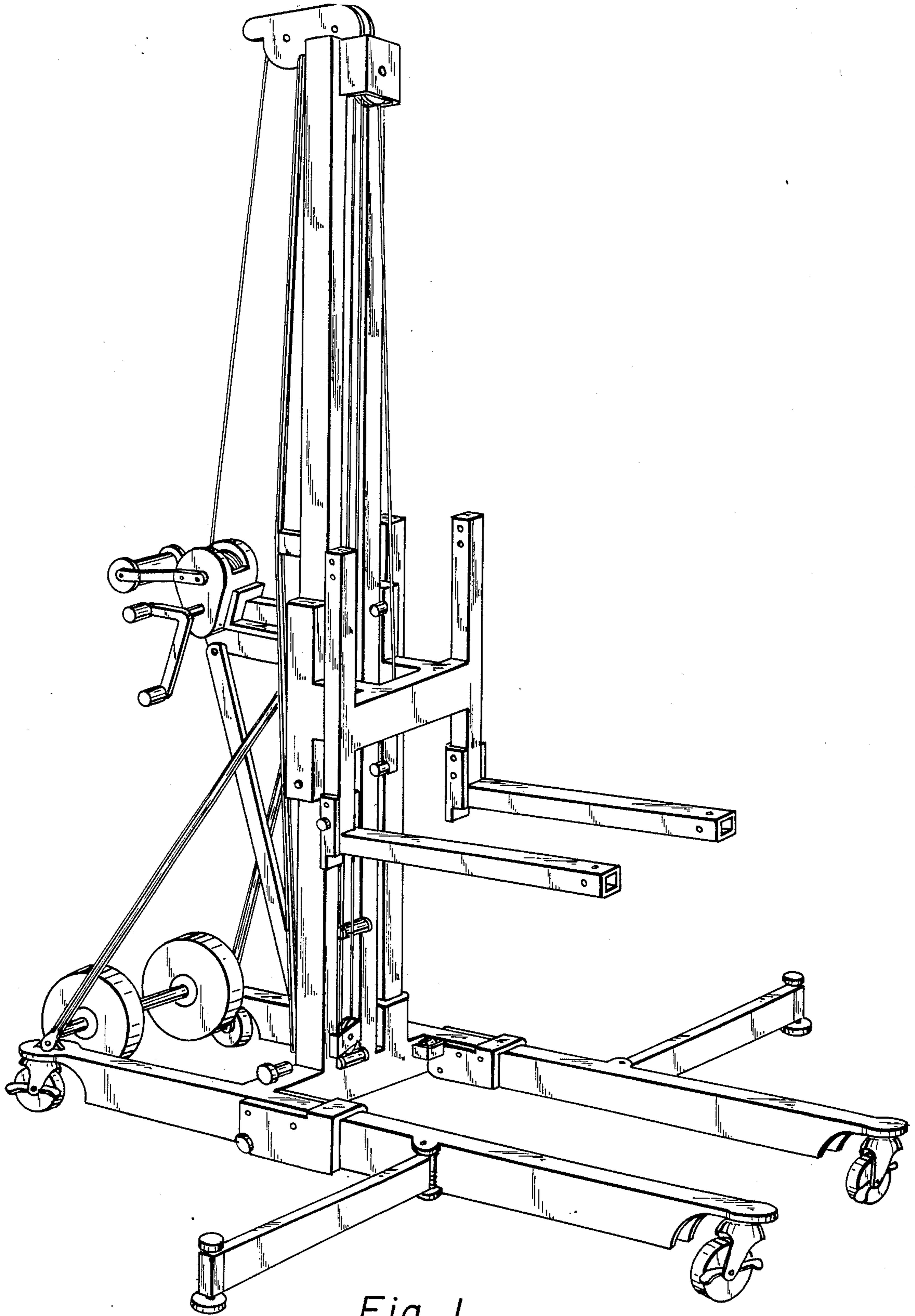


Fig. 1

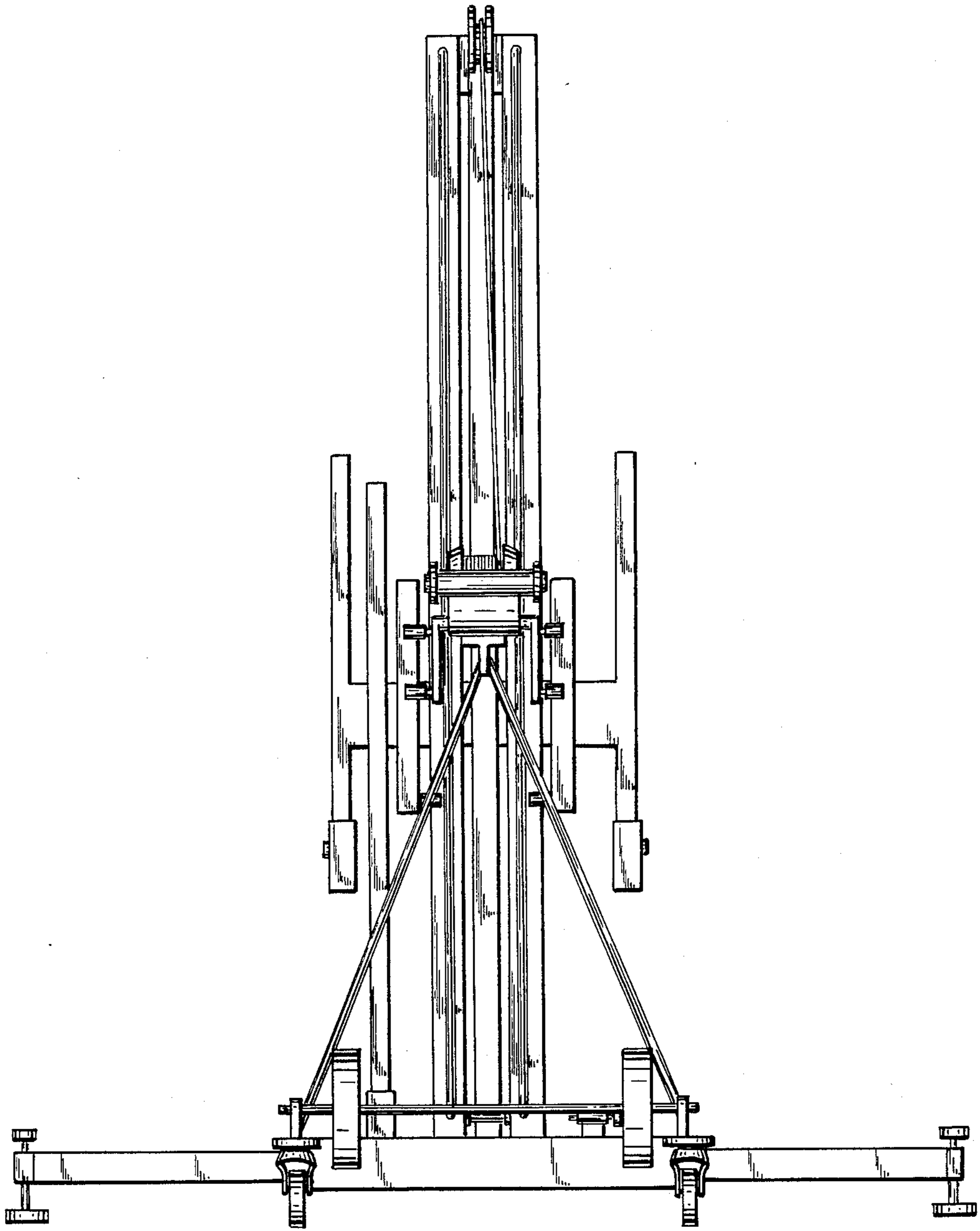


Fig. 2

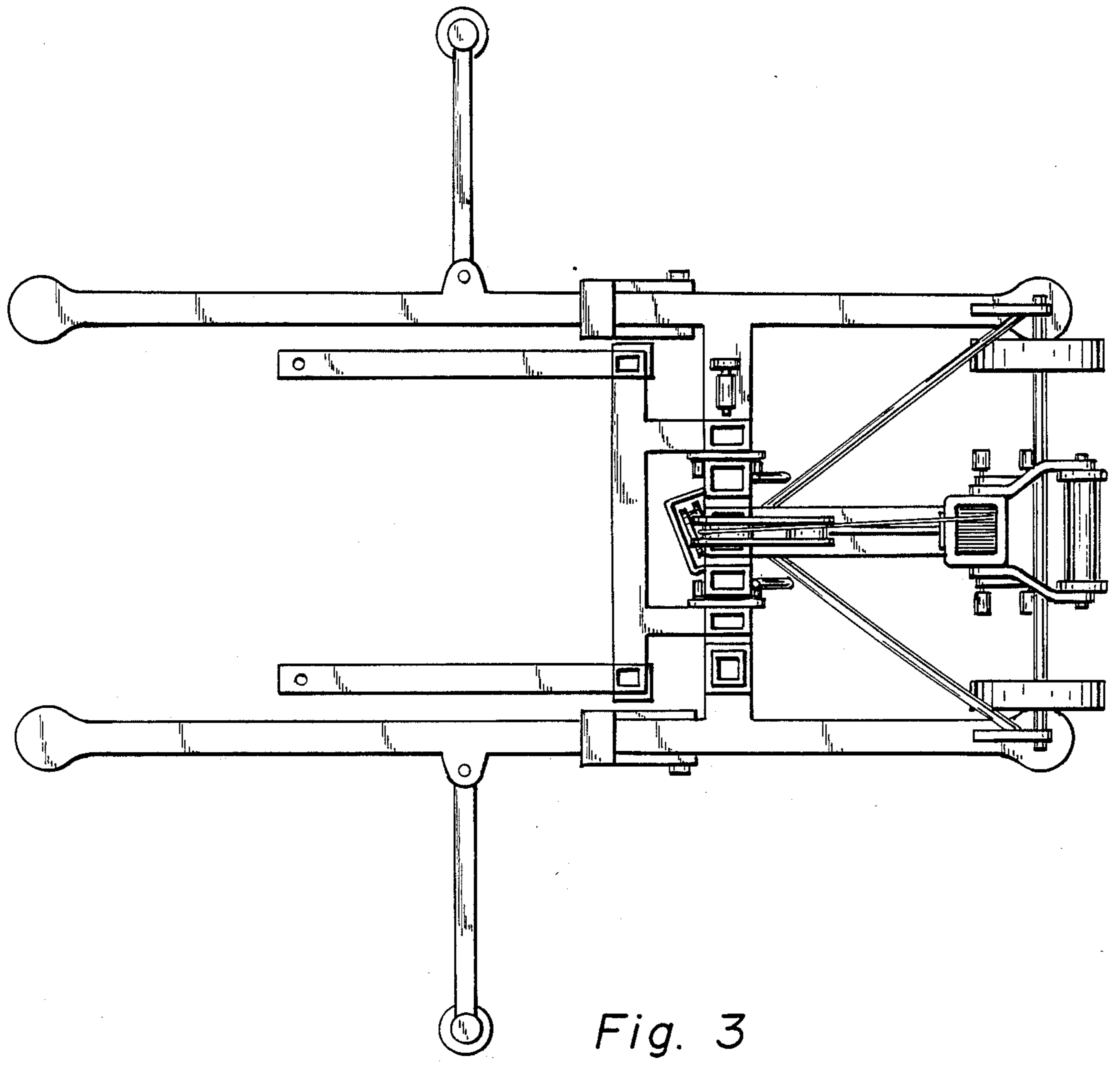


Fig. 3

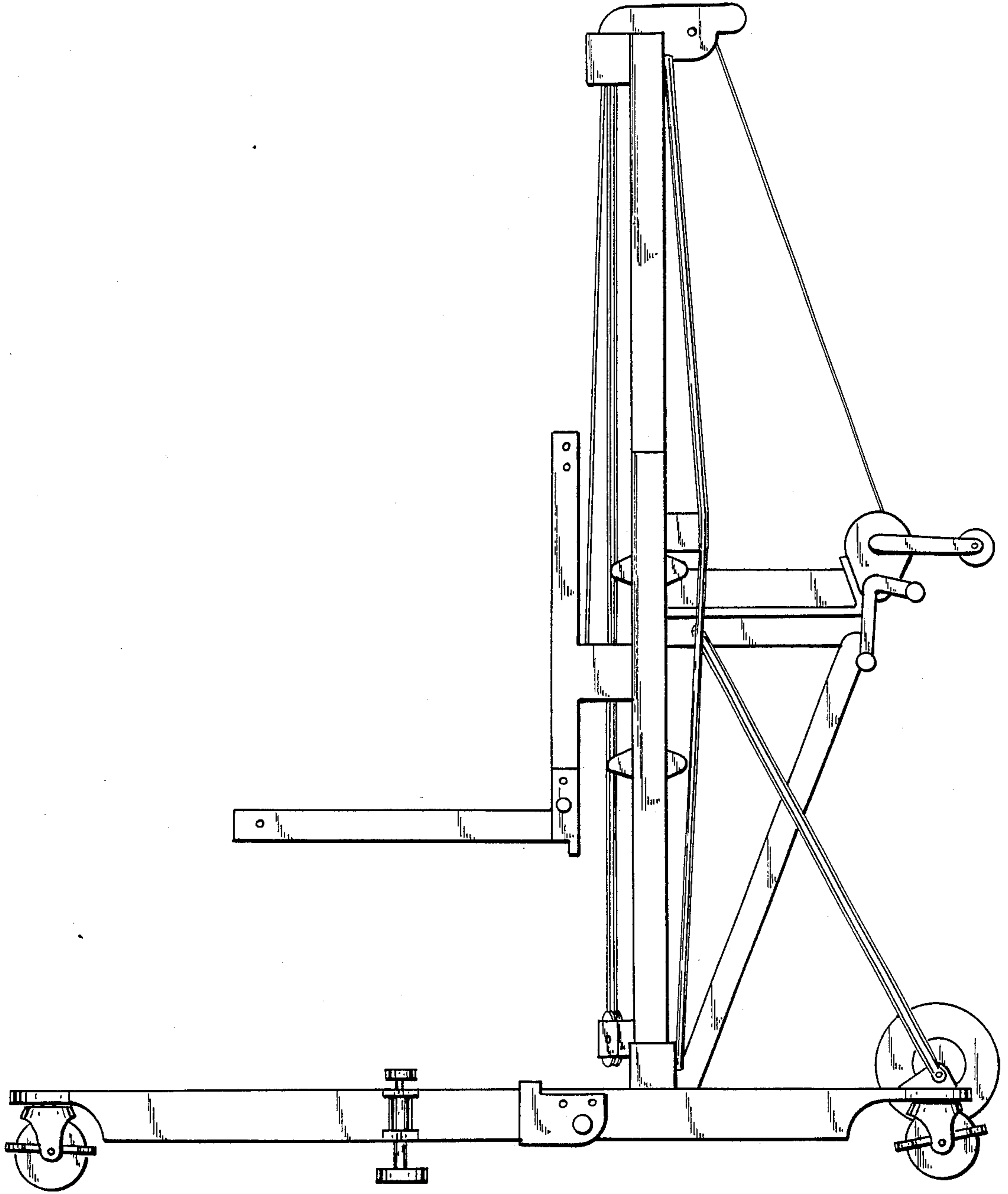


Fig. 4

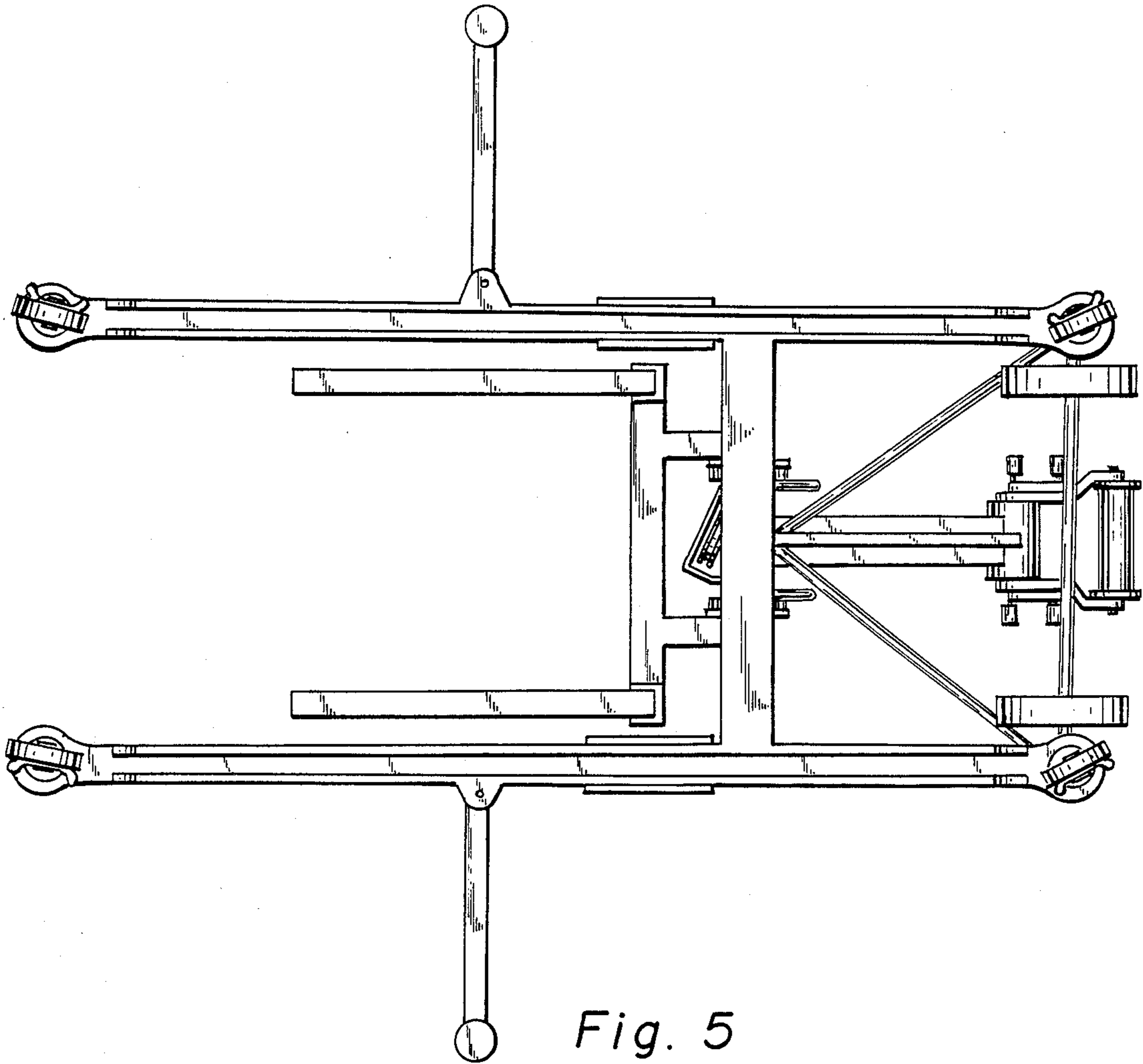


Fig. 5