

[54] DUSTPAN AND BROOM SET

[75] Inventor: Roland Vetter, Giengen-Sachsenhausen, Fed. Rep. of Germany

[73] Assignee: Schwaebische Buerstenfabrik Hans Haug KG, Koenigsbrunn, Fed. Rep. of Germany

[**] Term: 14 Years

[21] Appl. No.: 82,098

[22] Filed: Aug. 5, 1987

[30] Foreign Application Priority Data

Feb. 11, 1987 [DE] Fed. Rep. of Germany 4656

[52] U.S. Cl. D32/74; D4/116

[58] Field of Search D4/116; D7/104; D8/10; D32/74; 15/257.1-257.9, 146, 159 R, 160; 126/242-245; 209/417-419; 294/1.3, 1.4, 3.5, 49, 55

[56] References Cited

U.S. PATENT DOCUMENTS

- D. 208,487 9/1967 Appel D32/74
- D. 216,560 2/1970 Smith D32/74
- D. 297,874 9/1988 Jorgensen D32/74
- 1,176,996 3/1916 Templeman 15/160 X

2,172,808 9/1939 Roy 15/257.2

FOREIGN PATENT DOCUMENTS

1013435 12/1965 United Kingdom 15/257.2

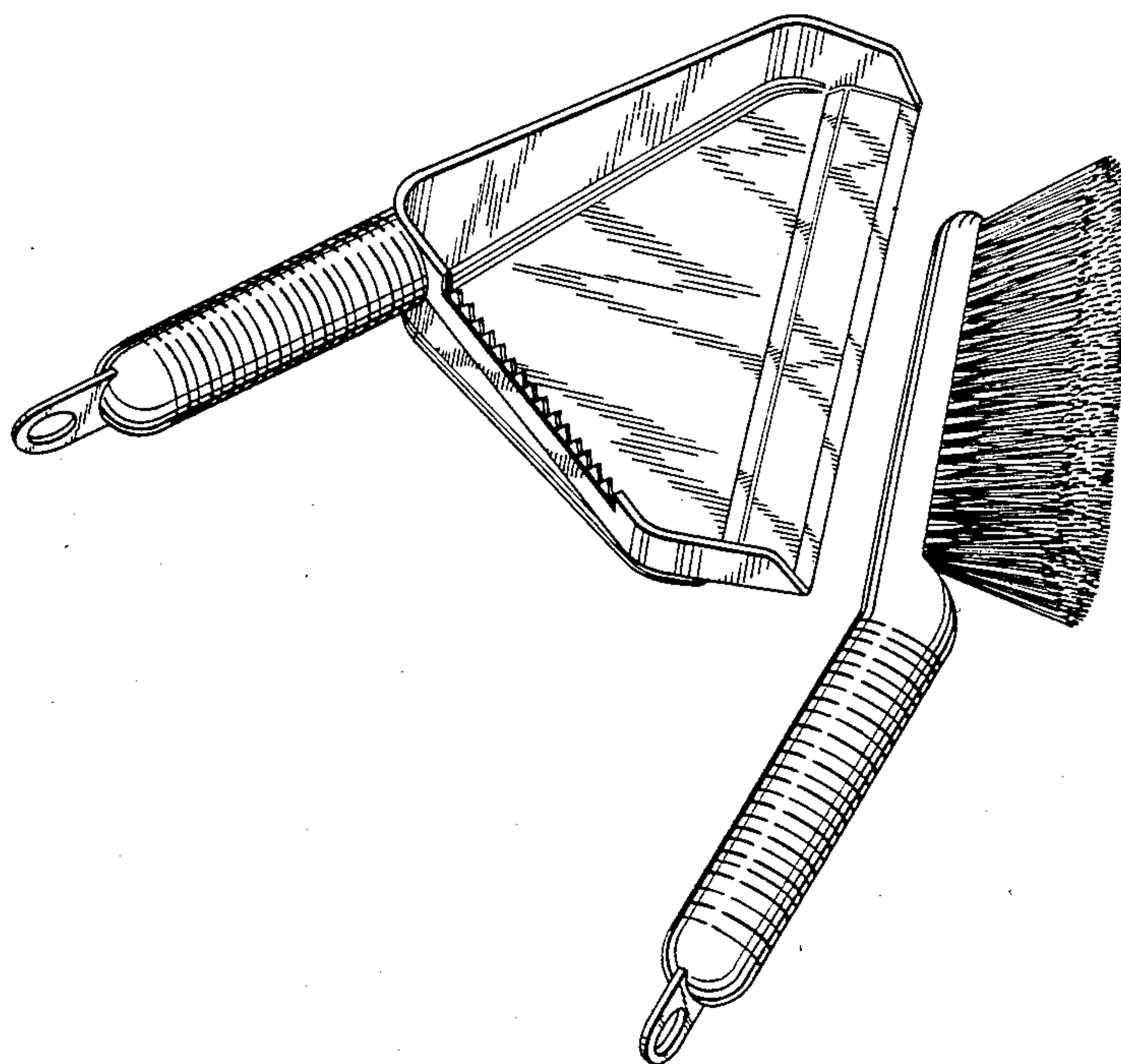
Primary Examiner—Wallace R. Burke
Assistant Examiner—Lavone D. Tabor
Attorney, Agent, or Firm—Flynn, Thiel, Boutell & Tanis

[57] CLAIM

The ornamental design for a dustpan and broom set, as shown and described.

DESCRIPTION

FIG. 1 is an exploded perspective view of a dustpan and broom set showing my new design;
 FIG. 2 is a top plan view of the dustpan of FIG. 1 with the broom omitted for clarity of illustration;
 FIG. 3 is a bottom plan view thereof;
 FIG. 4 is a front elevational view thereof;
 FIG. 5 is a left side elevational view thereof;
 FIG. 6 is a right side elevational view thereof;
 FIG. 7 is a rear elevational view thereof;
 FIG. 8 is a side elevational view of the broom of FIG. 1 with the dustpan omitted for clarity of illustration;
 FIG. 9 is a top plan view thereof;
 FIG. 10 is a bottom plan view thereof;
 FIG. 11 is a front end elevational view thereof; and
 FIG. 12 is a rear end elevational view thereof.



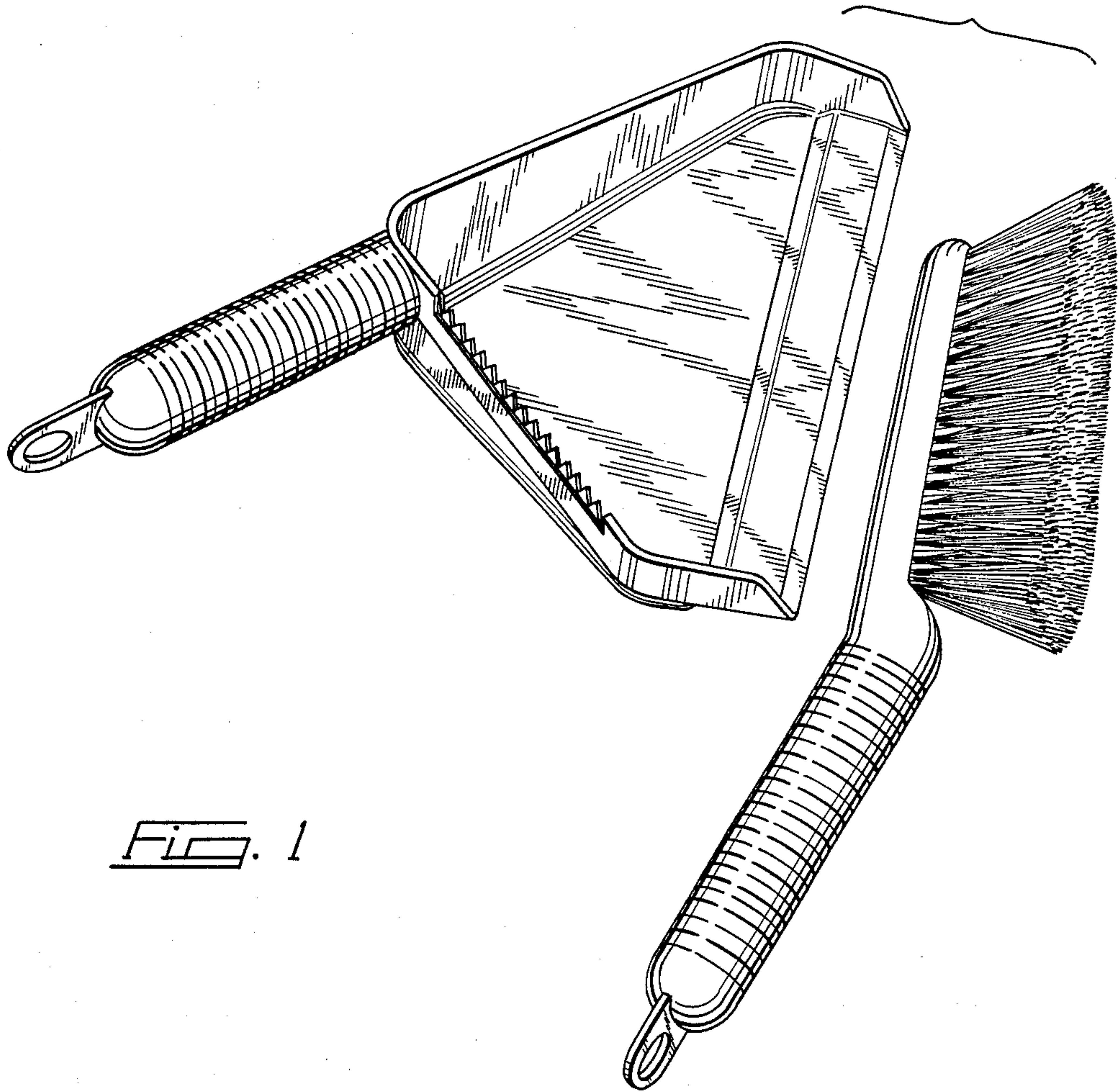


FIG. 1

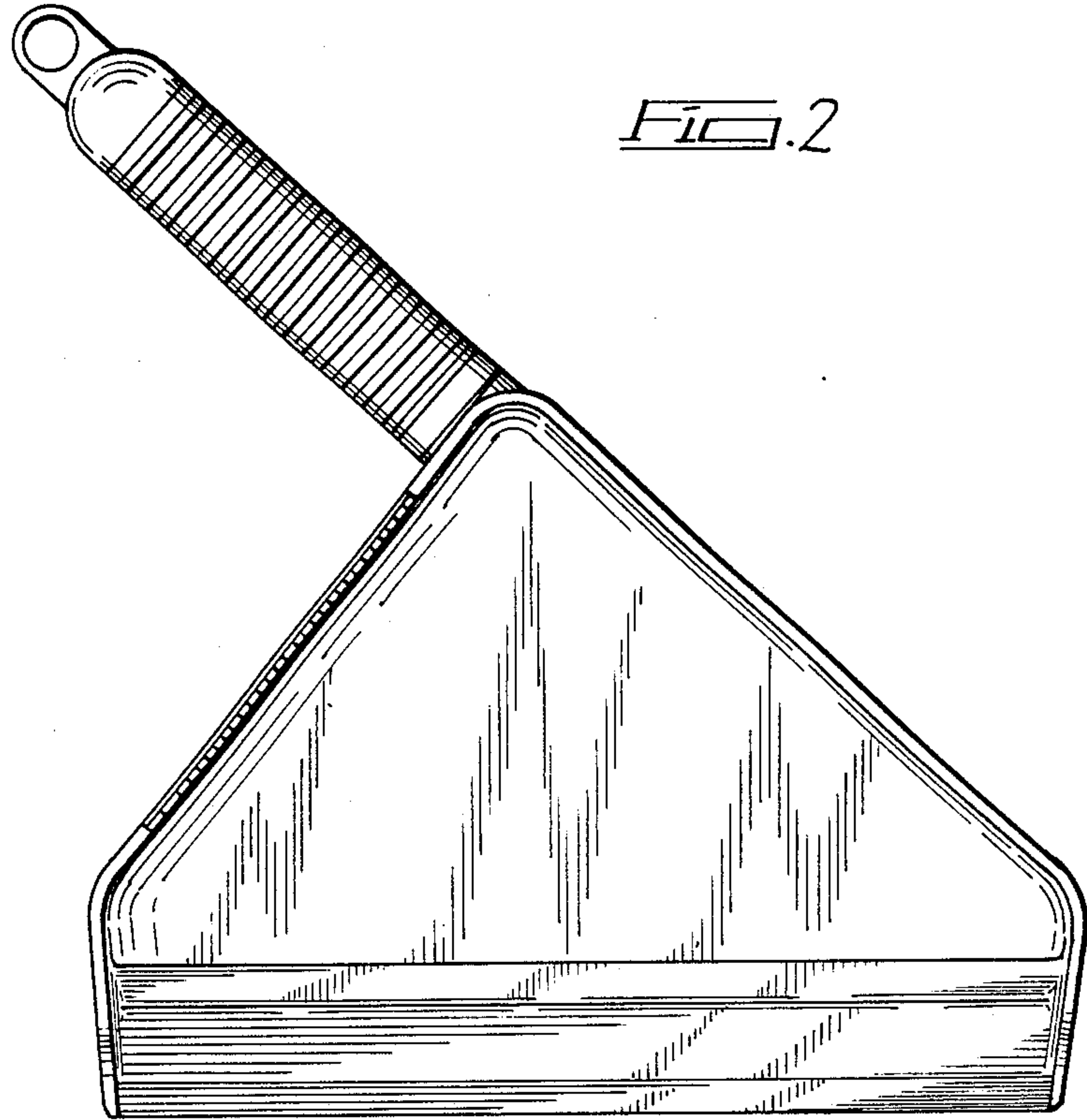


FIG. 2

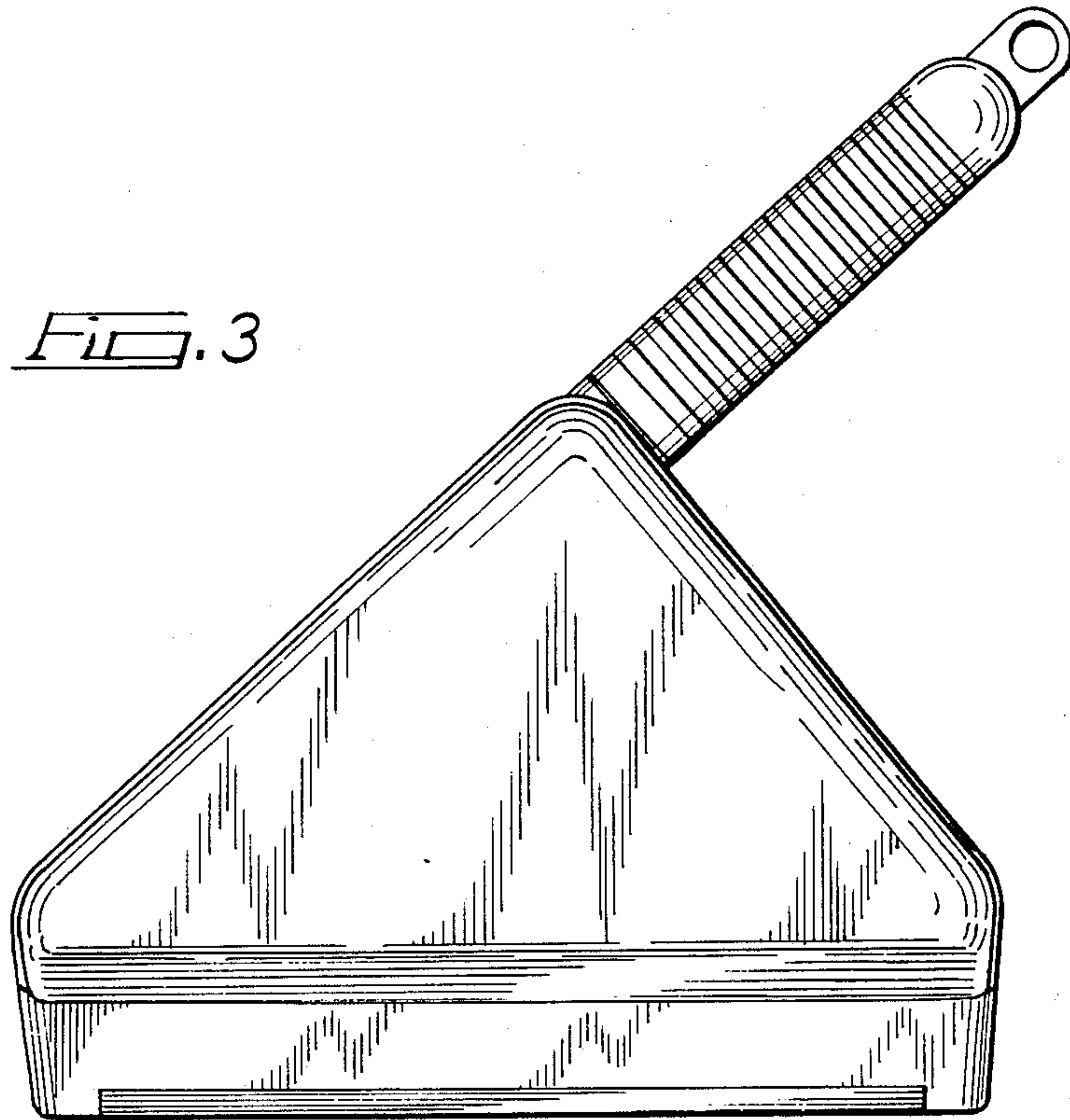


FIG. 3

FIG. 4

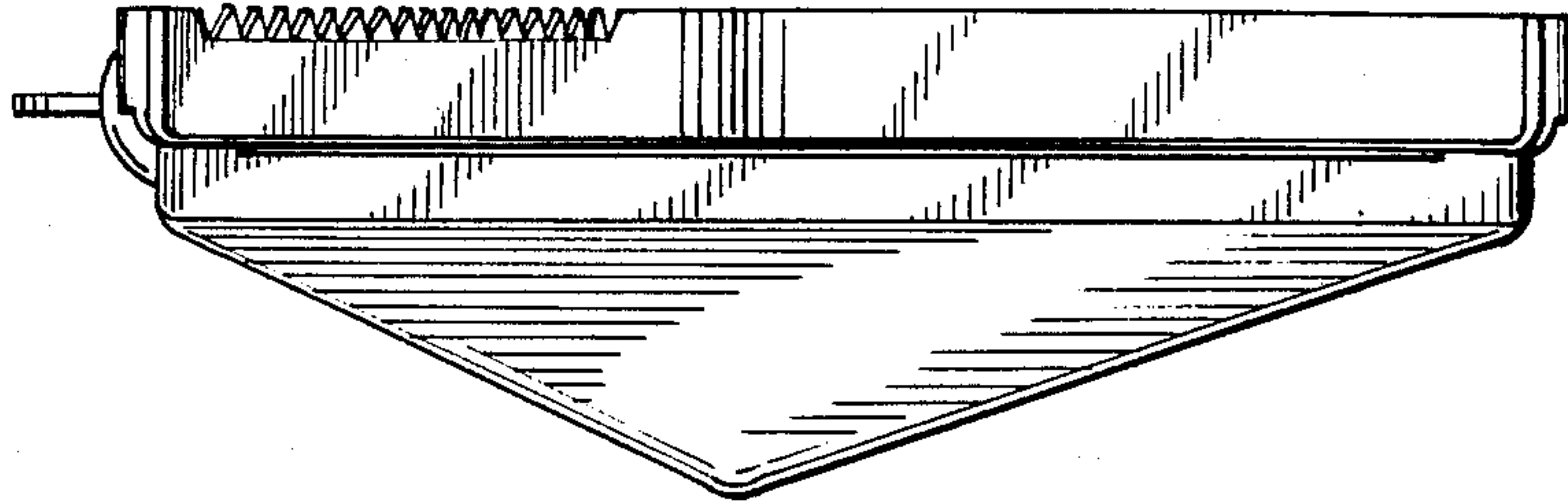


FIG. 5

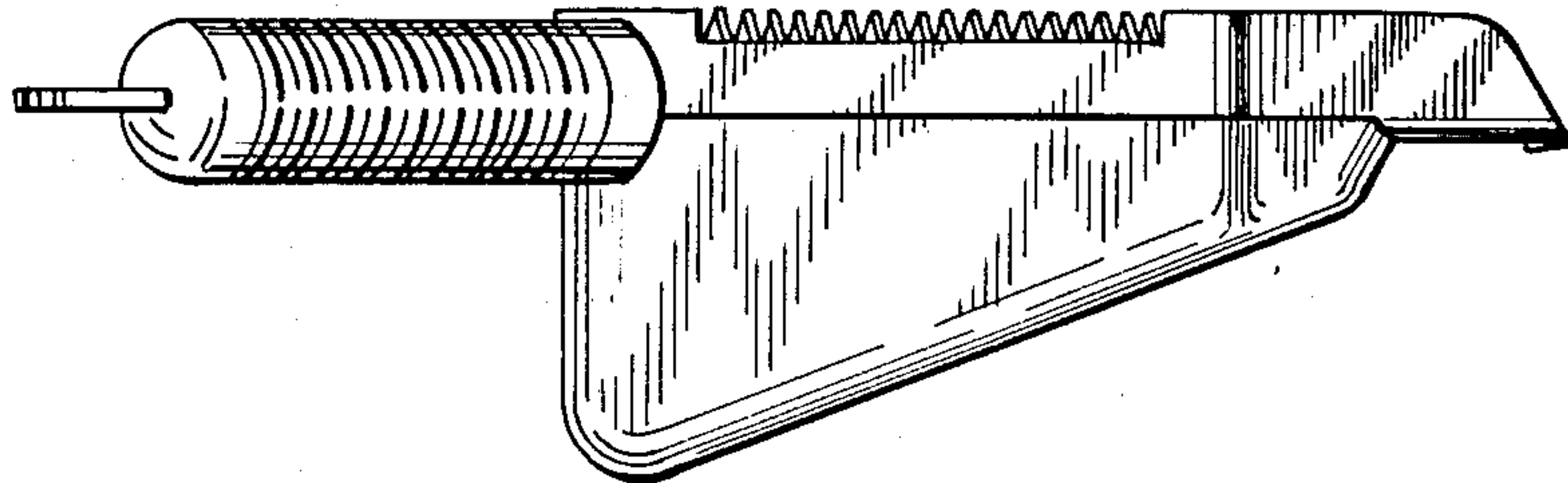


FIG. 6

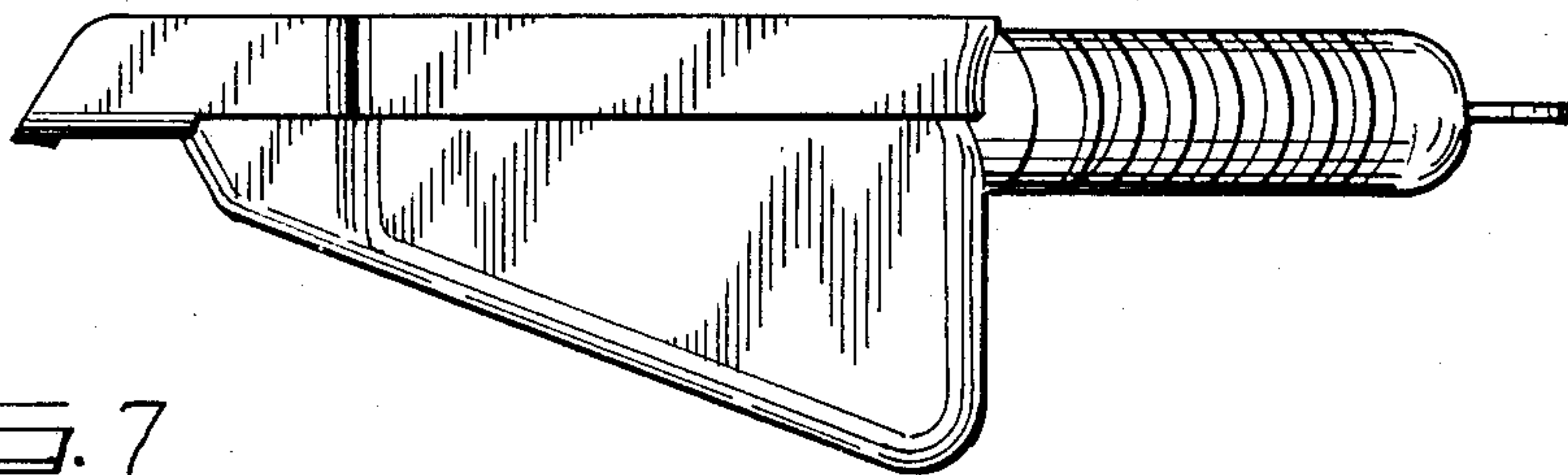


FIG. 7

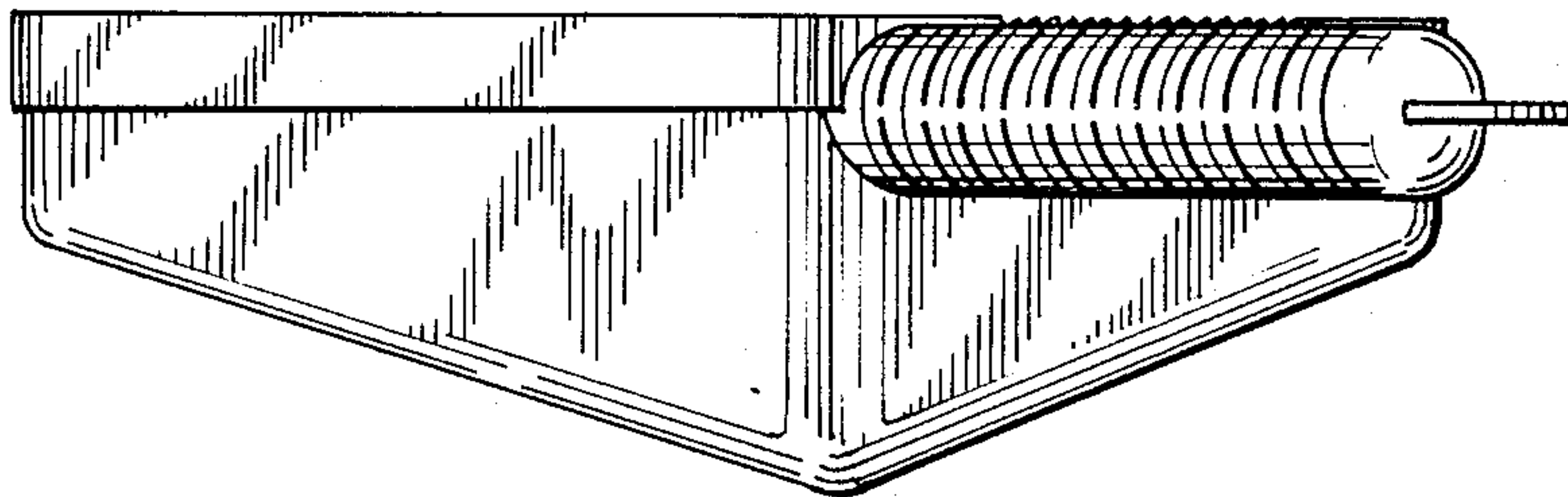


FIG. 8

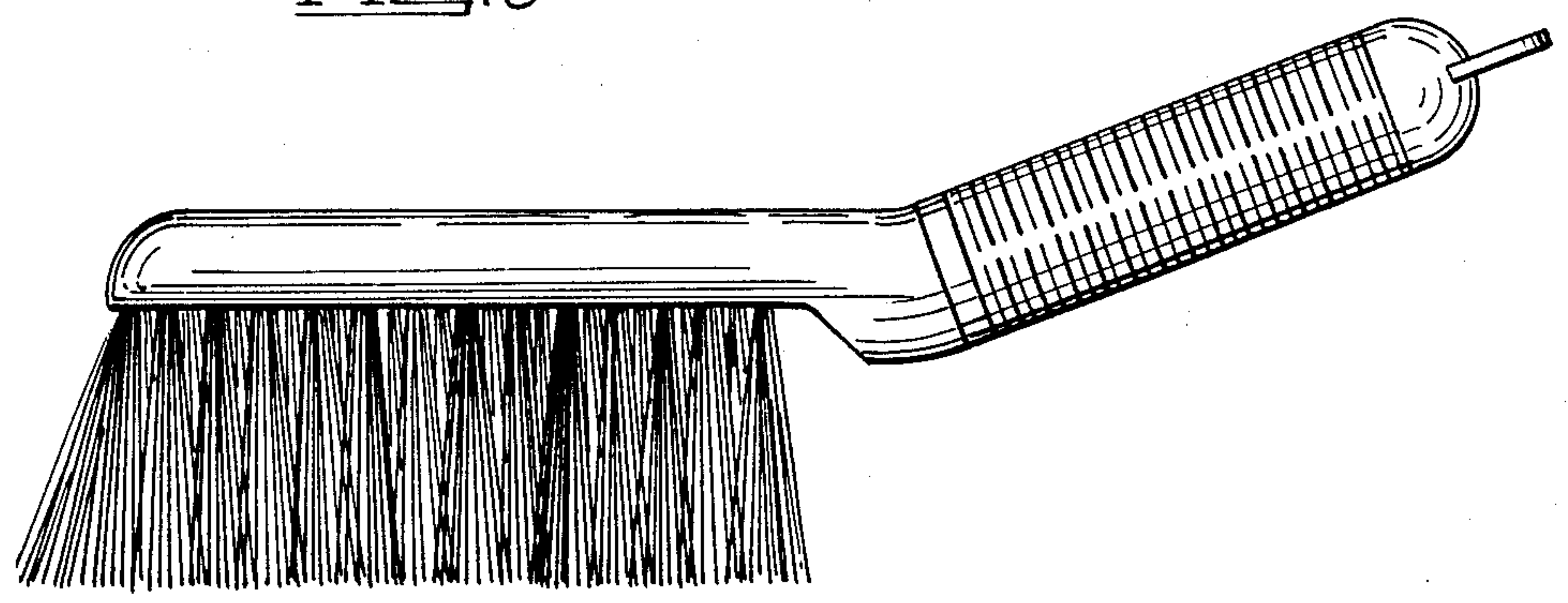


FIG. 9

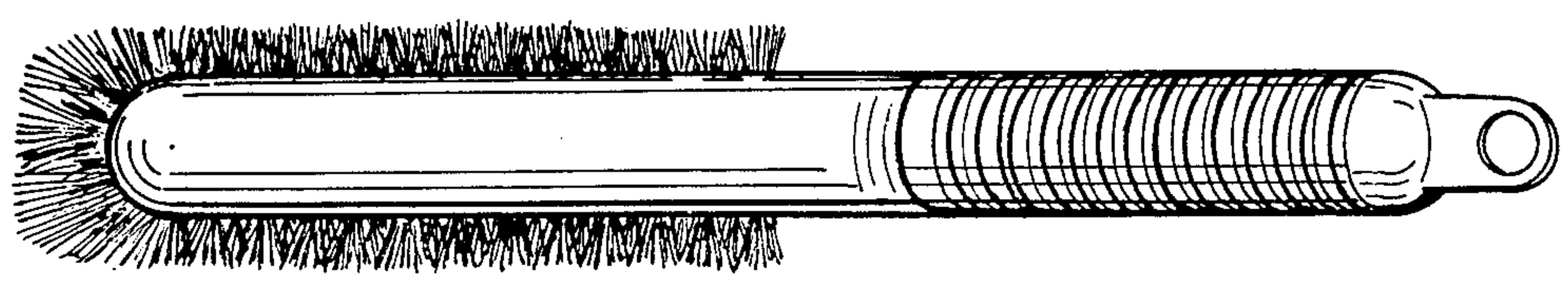


FIG. 10

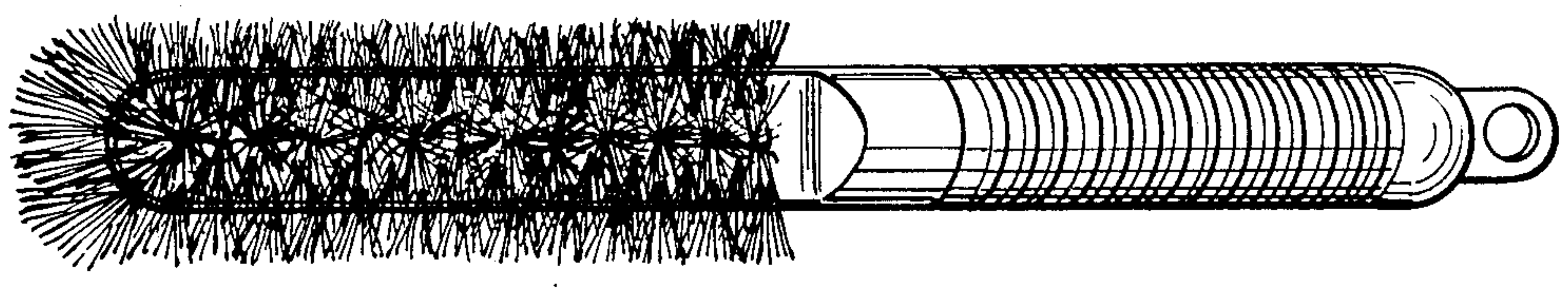


FIG. 11

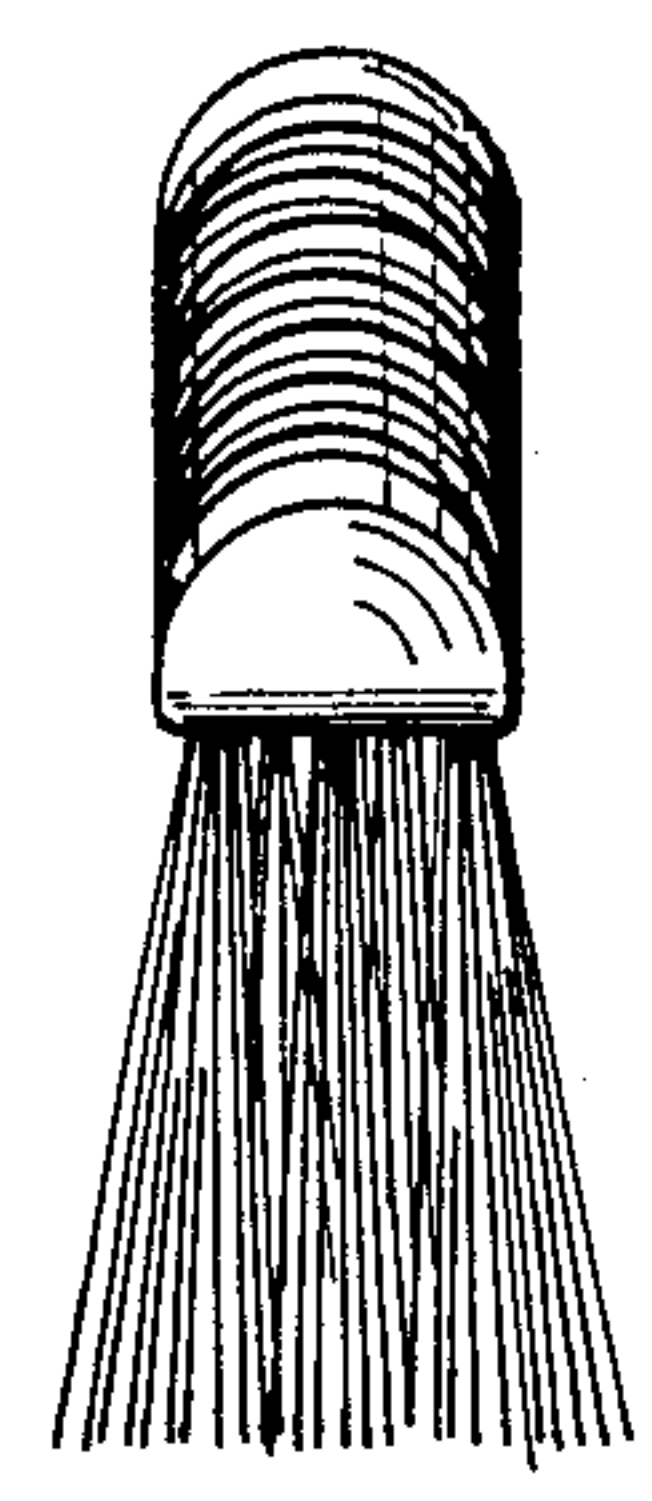


FIG. 12

