

[54] UTILITY TRAY FOR ATTACHMENT TO AN IRONING BOARD

[75] Inventors: Terence W. Brown, Townsville; Shirley J. Masters, Port Douglas, both of Australia

[73] Assignee: Terall Design Pty. Ltd., Townsville, Australia

[**] Term: 14 Years

[21] Appl. No.: 12,637

[22] Filed: Feb. 9, 1987

[30] Foreign Application Priority Data

Aug. 7, 1986 [AU] Australia 6182/86

[52] U.S. Cl. D32/35; D32/66; D6/512

[58] Field of Search D32/66, 73; D9/341, D9/345, 347; 38/141-142; 248/117.1-117.7; D6/512, 574

[56] References Cited

U.S. PATENT DOCUMENTS

D. 278,254 4/1985 Evenson D9/341 X
D. 293,842 1/1988 Titi et al. D32/73

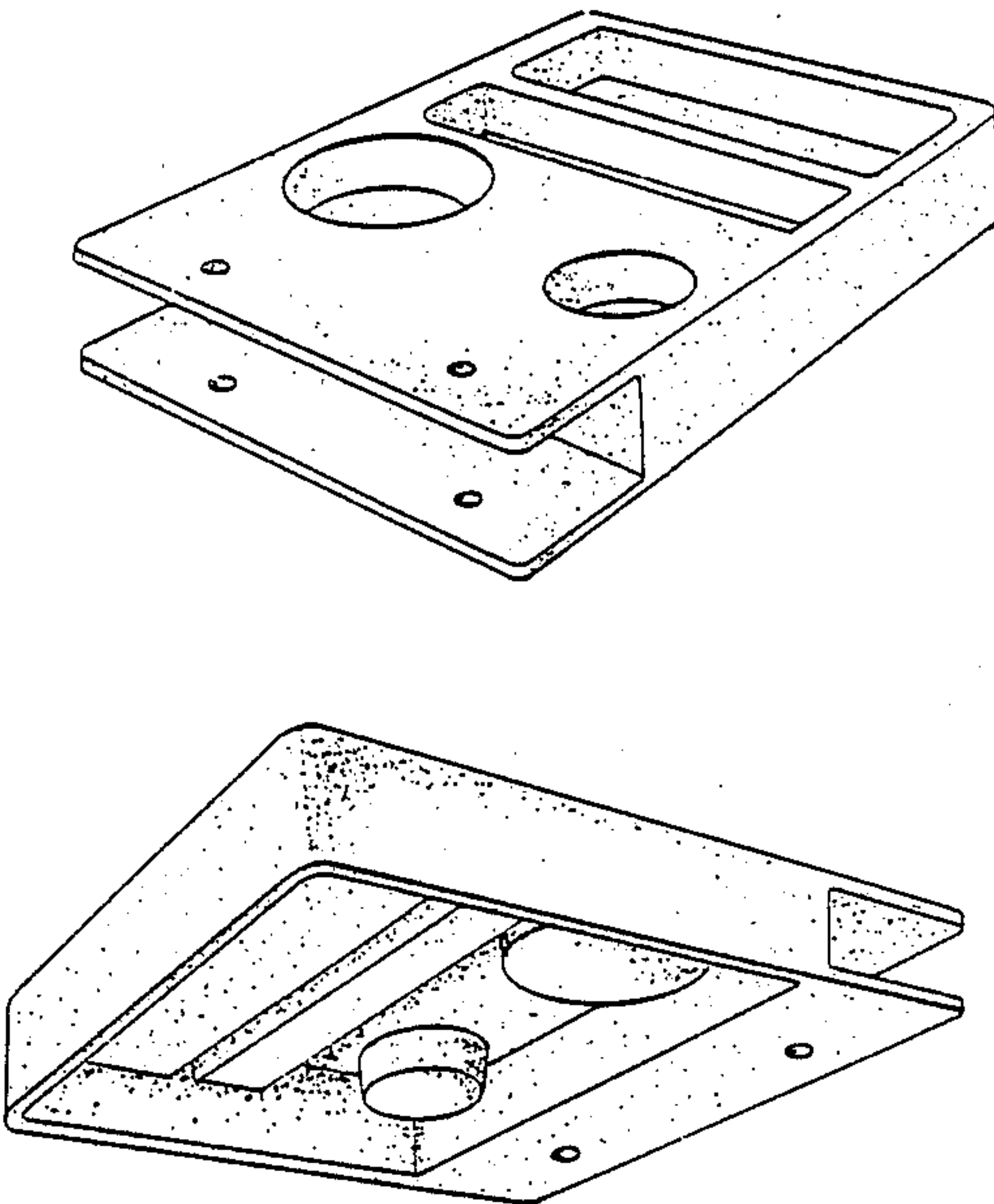
Primary Examiner—Wallace R. Burke
Assistant Examiner—Lavone D. Tabor
Attorney, Agent, or Firm—Kimmel, Crowell & Weaver

[57] CLAIM

The ornamental design for a utility tray for attachment to an ironing board, as shown.

DESCRIPTION

FIG. 1 is a top plan view of a utility tray for attachment to an ironing board showing my new design; FIG. 2 is a side elevational view thereof; FIG. 3 is a top perspective view thereof; FIG. 4 is a bottom perspective view thereof; and FIG. 5 is a sectional view taken along line 5—5 in FIG. 1.



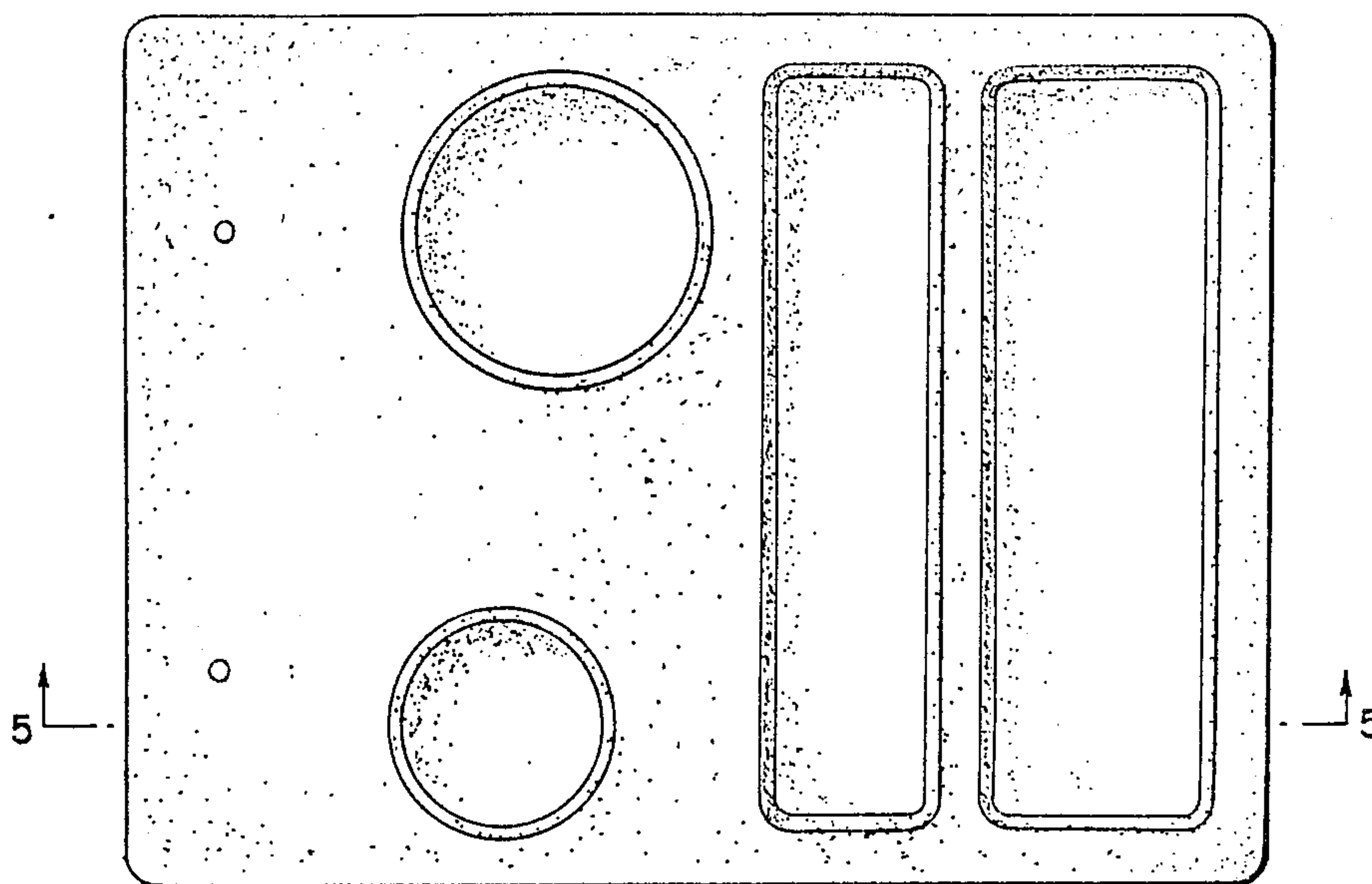


FIG. 1.



FIG. 2.

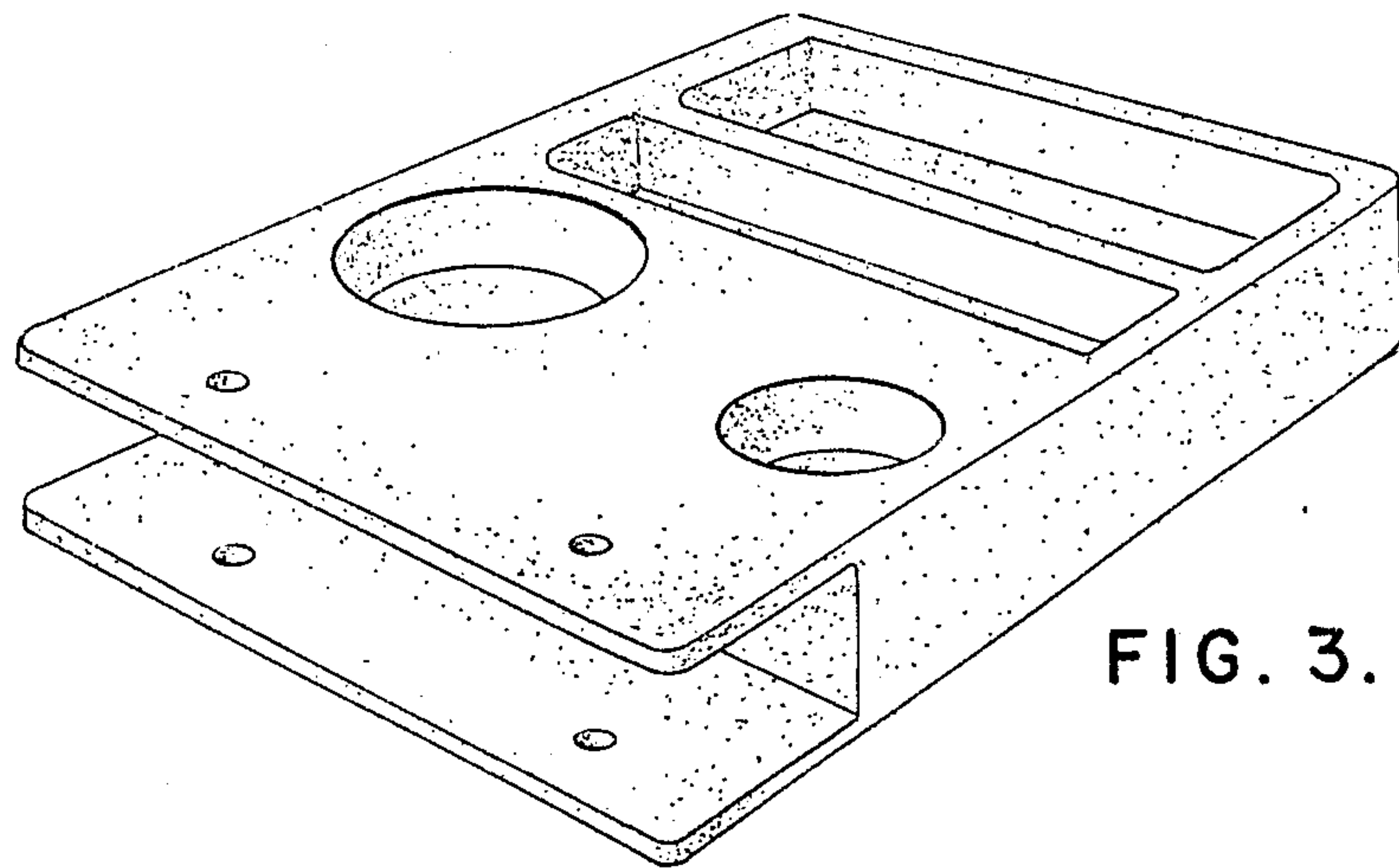


FIG. 3.

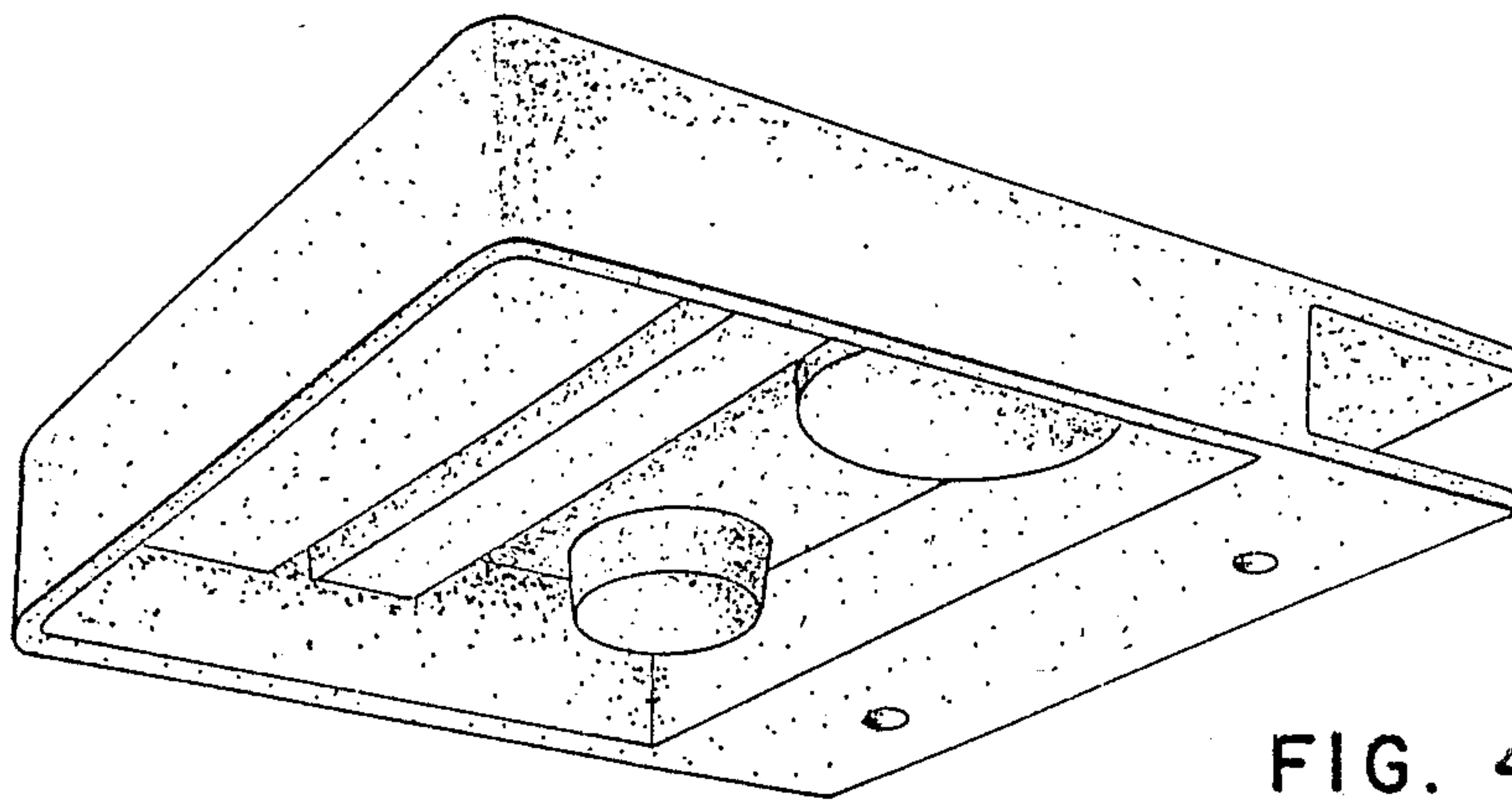


FIG. 4.

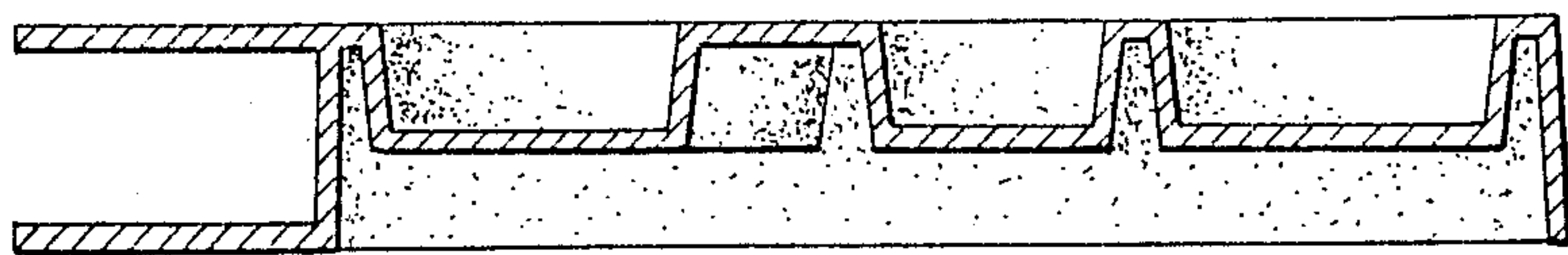


FIG. 5.