

[54] FACE SHIELD

[76] Inventors: Wyman H. Stackhouse, 3201 Poinsettia Ave., Manhattan Beach, Calif. 90266; Ian M. Williamson, 555 N. Harbor Dr., Redondo Beach, Calif. 90277

[**] Term: 14 Years

[21] Appl. No.: 93,985

[22] Filed: Sep. 9, 1987

[52] U.S. Cl. D29/17

[58] Field of Search D29/6-10, D29/15-18, 12; 2/8-12, 15, 206, 417-418, 424

[56] References Cited

U.S. PATENT DOCUMENTS

2,755,476	7/1956	Bowers, Sr.	2/8
2,829,374	4/1958	Malcom, Jr.	D29/8
3,129,431	4/1964	Haney	2/8

3,763,495	10/1973	De Angelis	2/8
3,868,727	3/1975	Paschall	2/8

Primary Examiner—A. Hugo Word
Assistant Examiner—Ruth McInroy
Attorney, Agent, or Firm—Singer & Singer

[57] CLAIM

The ornamental design for a face shield, as shown and described.

DESCRIPTION

FIG. 1 is a side perspective view of a face shield showing my new design, the head shown in broken lines is for illustrative purposes only and forms no part of the claimed design;

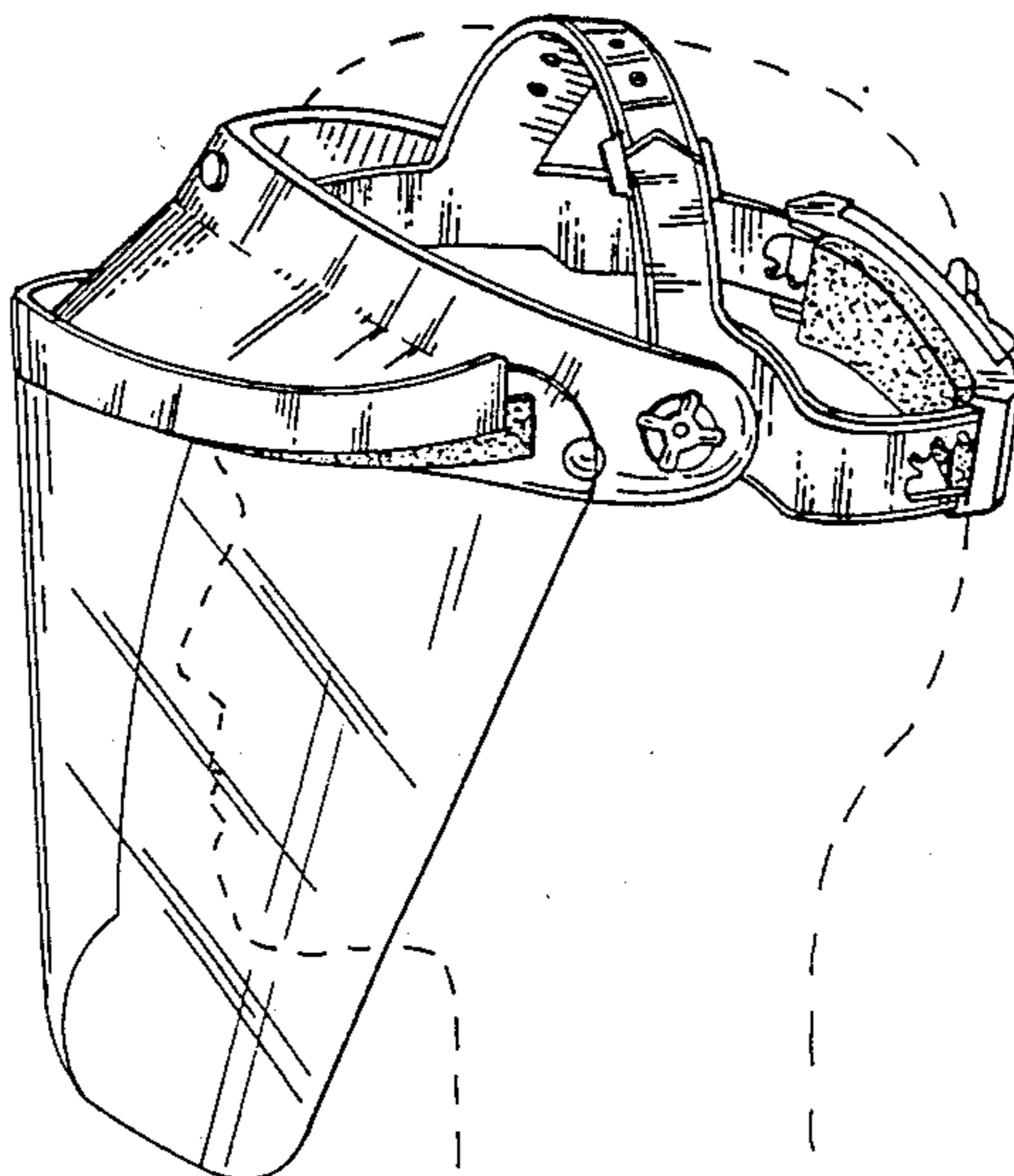
FIG. 2 is a side elevational view thereof;

FIG. 3 is a top plan view thereof;

FIG. 4 is a bottom plan view thereof;

FIG. 5 is a front elevational view thereof; and

FIG. 6 is a rear elevational view thereof.



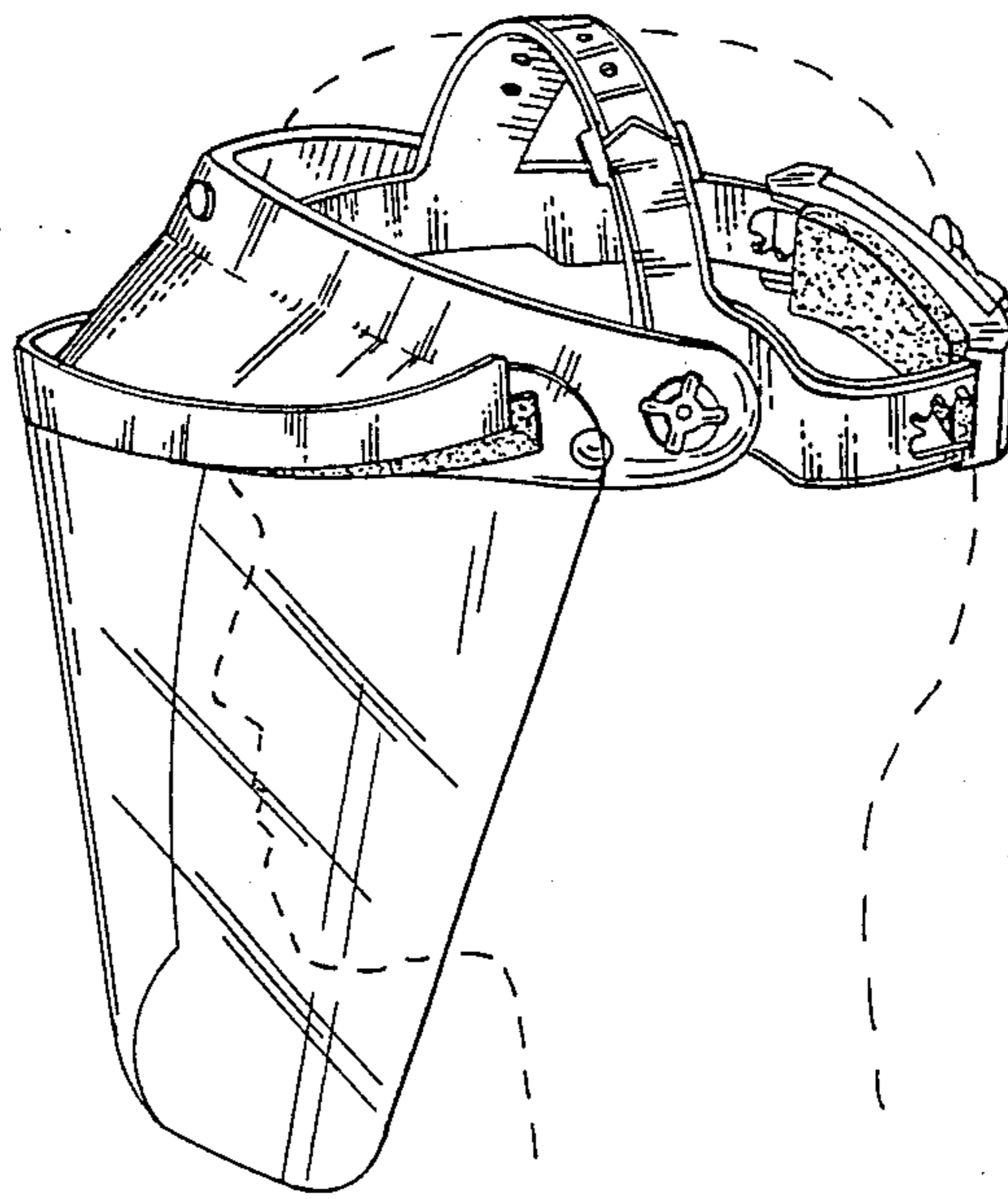


Fig. 1.

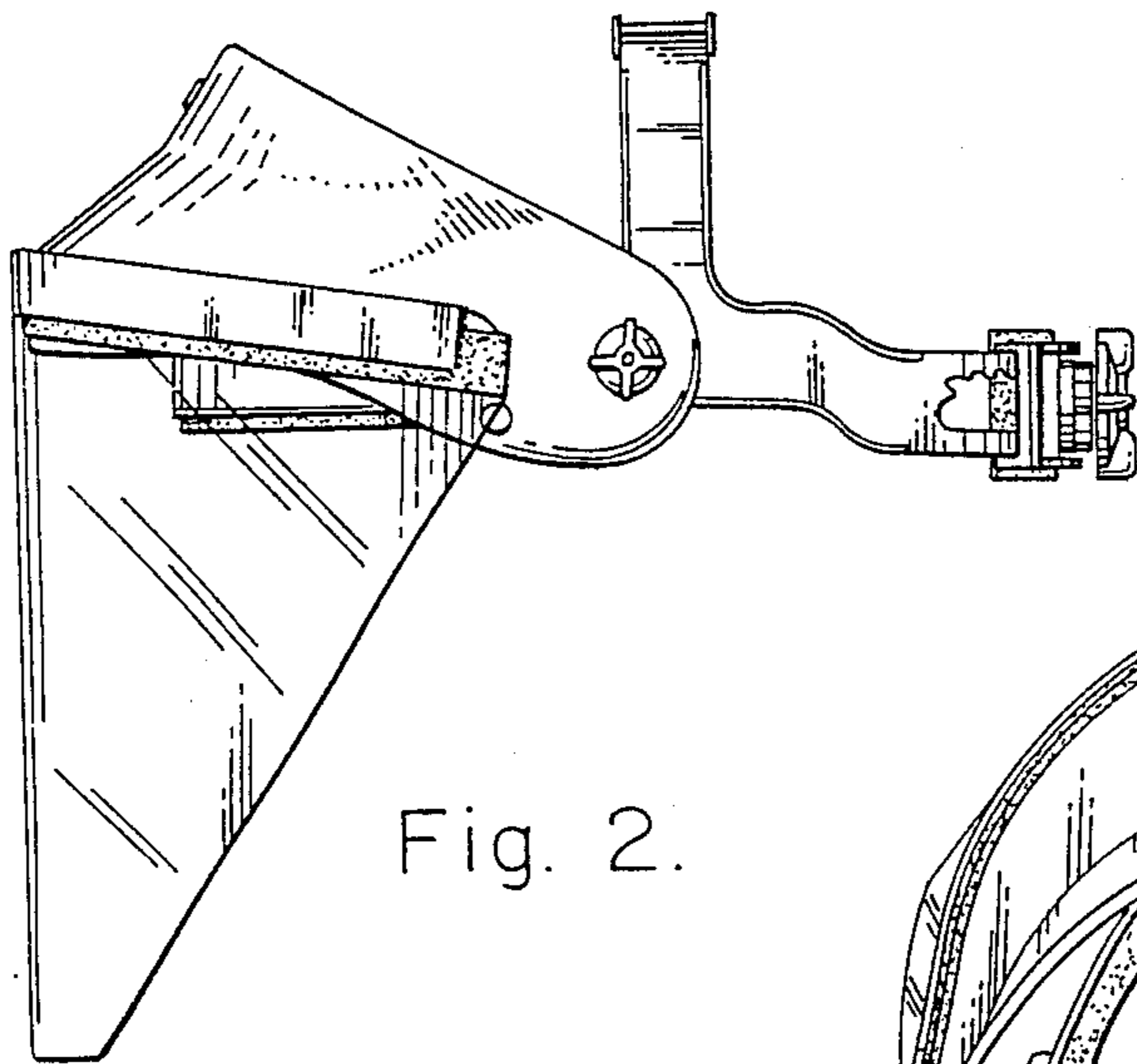


Fig. 2.

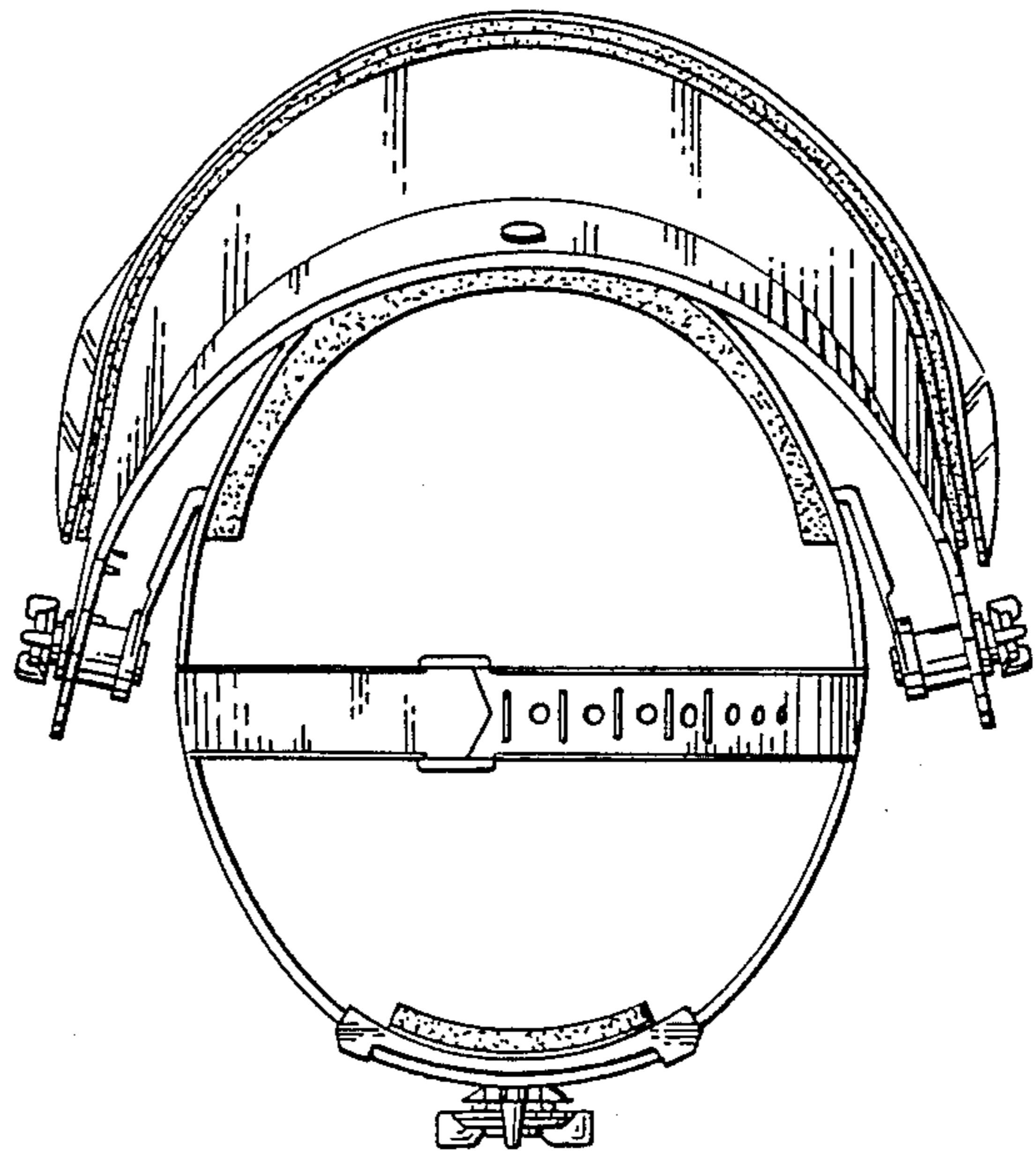


Fig. 3.

Fig. 4.

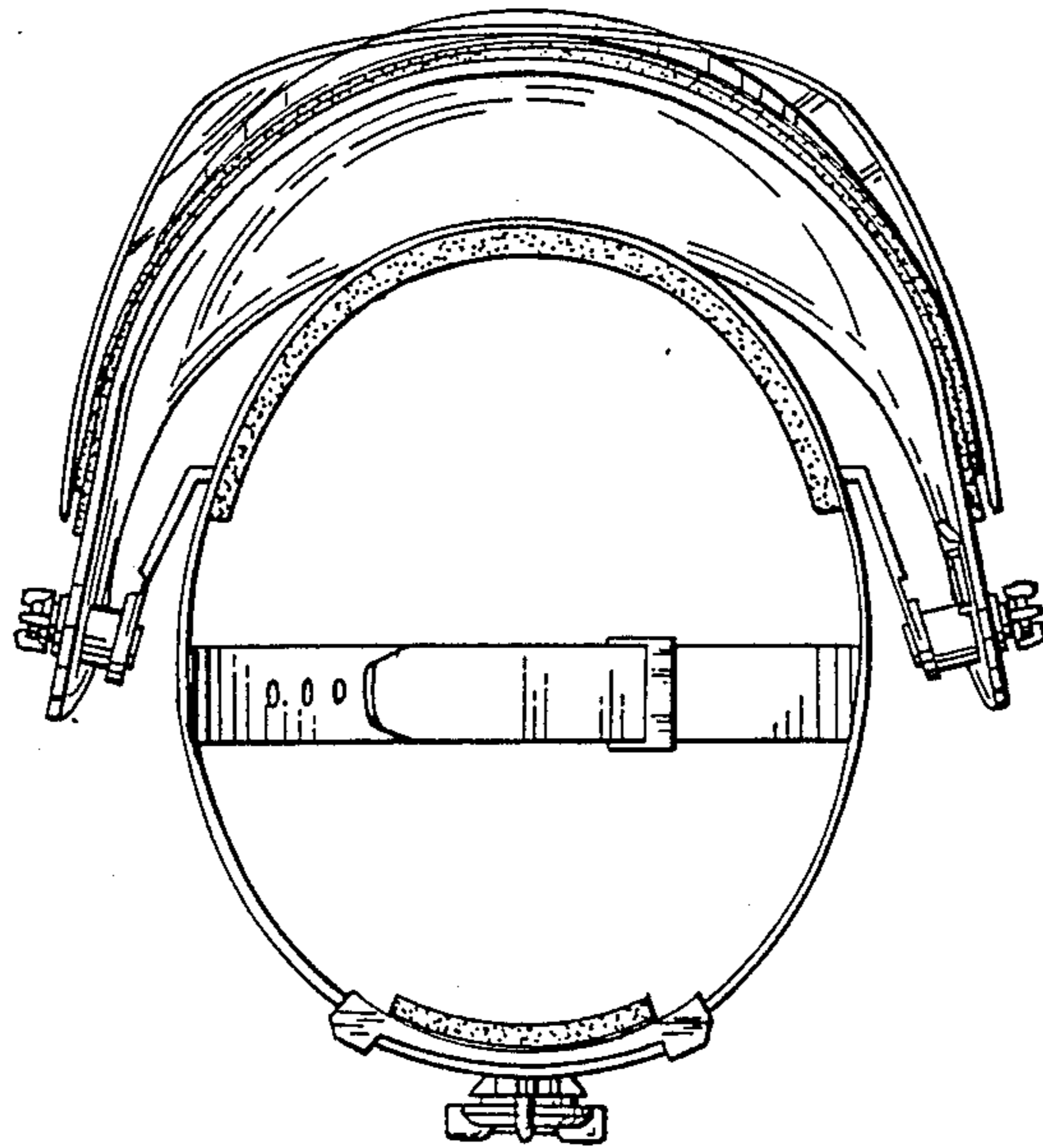


Fig. 5.

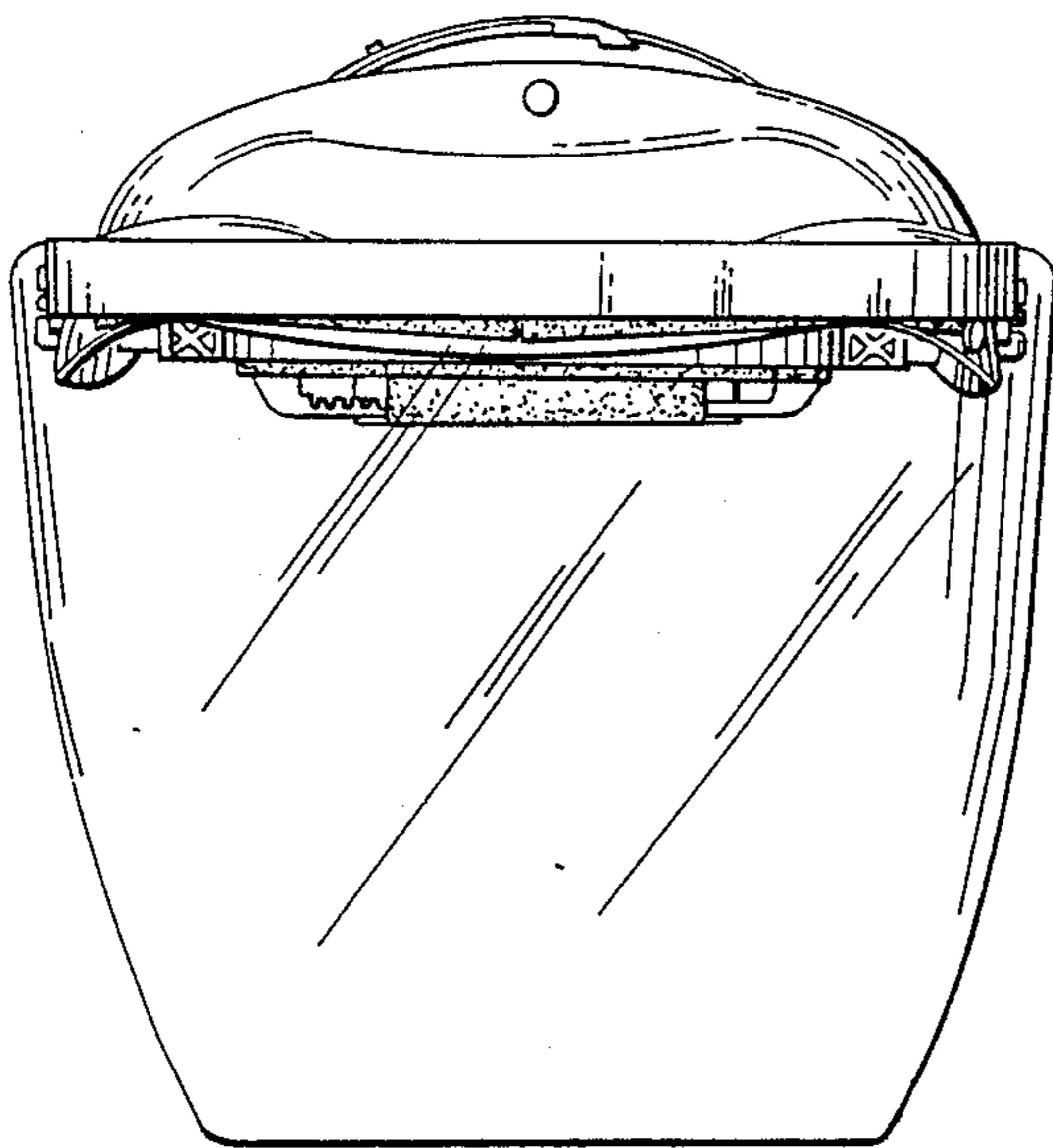


Fig. 6.

