

[54] DEER STAND

[76] Inventor: Rodney L. Baumeister, 130 Railway St., Loretto, Minn. 55357

[\*\*] Term: 14 Years

[21] Appl. No.: 255,532

[22] Filed: Oct. 11, 1988

[52] U.S. Cl. .... D25/62

[58] Field of Search ..... D25/62, 64, 68; 182/56, 182/101, 102, 115, 116, 141, 187, 222; 248/580, 581, 678

[56] References Cited

U.S. PATENT DOCUMENTS

- D. 248,875 8/1978 Warren et al. .... D25/62
- 3,067,975 12/1962 Wilcox ..... 182/187
- 4,130,180 12/1978 Ferguson et al. .... 182/187

FOREIGN PATENT DOCUMENTS

- 2944188 5/1981 Fed. Rep. of Germany ..... 182/194

Primary Examiner—A. Hugo Word

Assistant Examiner—Doris Clark

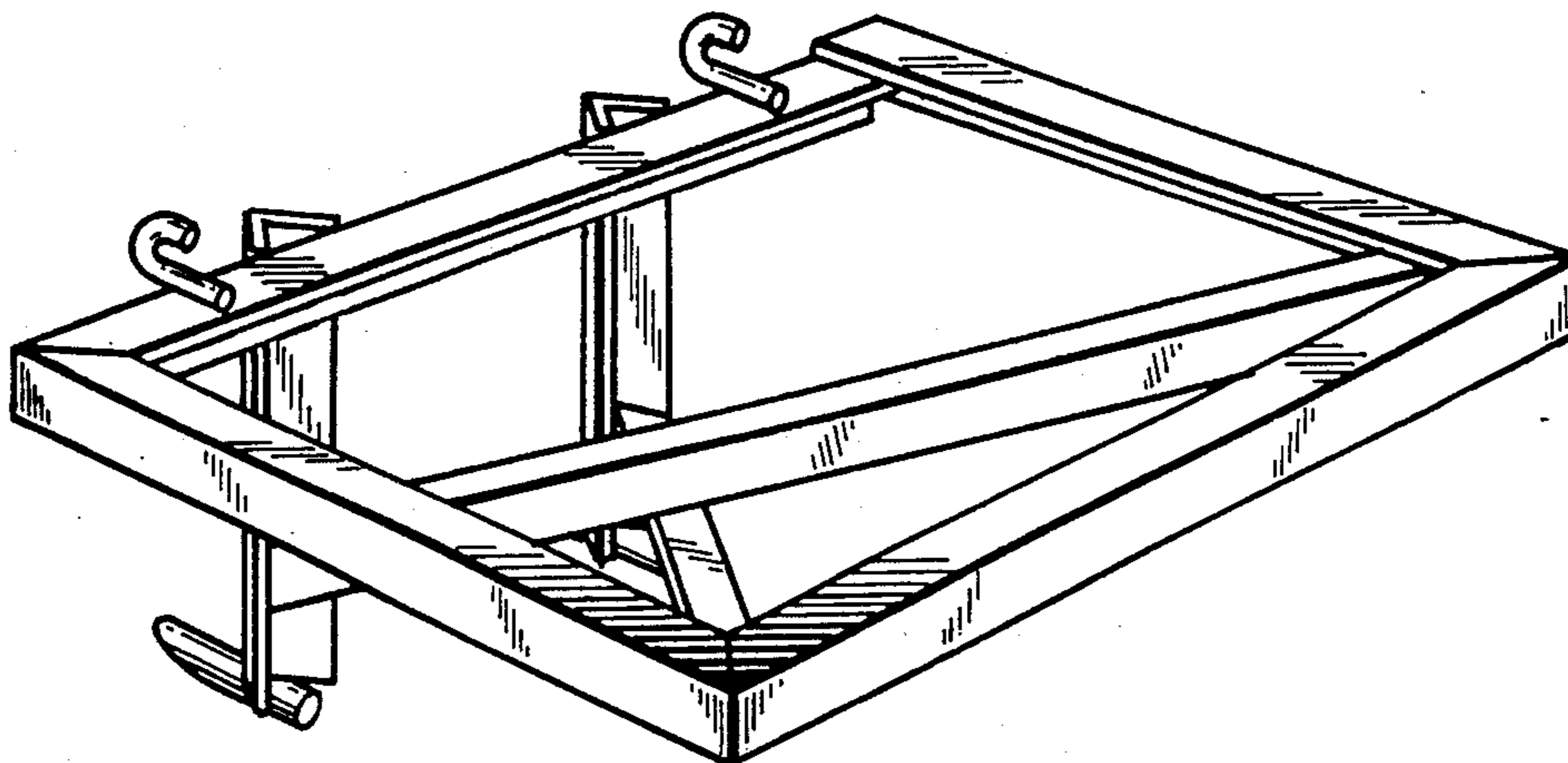
Attorney, Agent, or Firm—Burd, Bartz & Gutenkauf

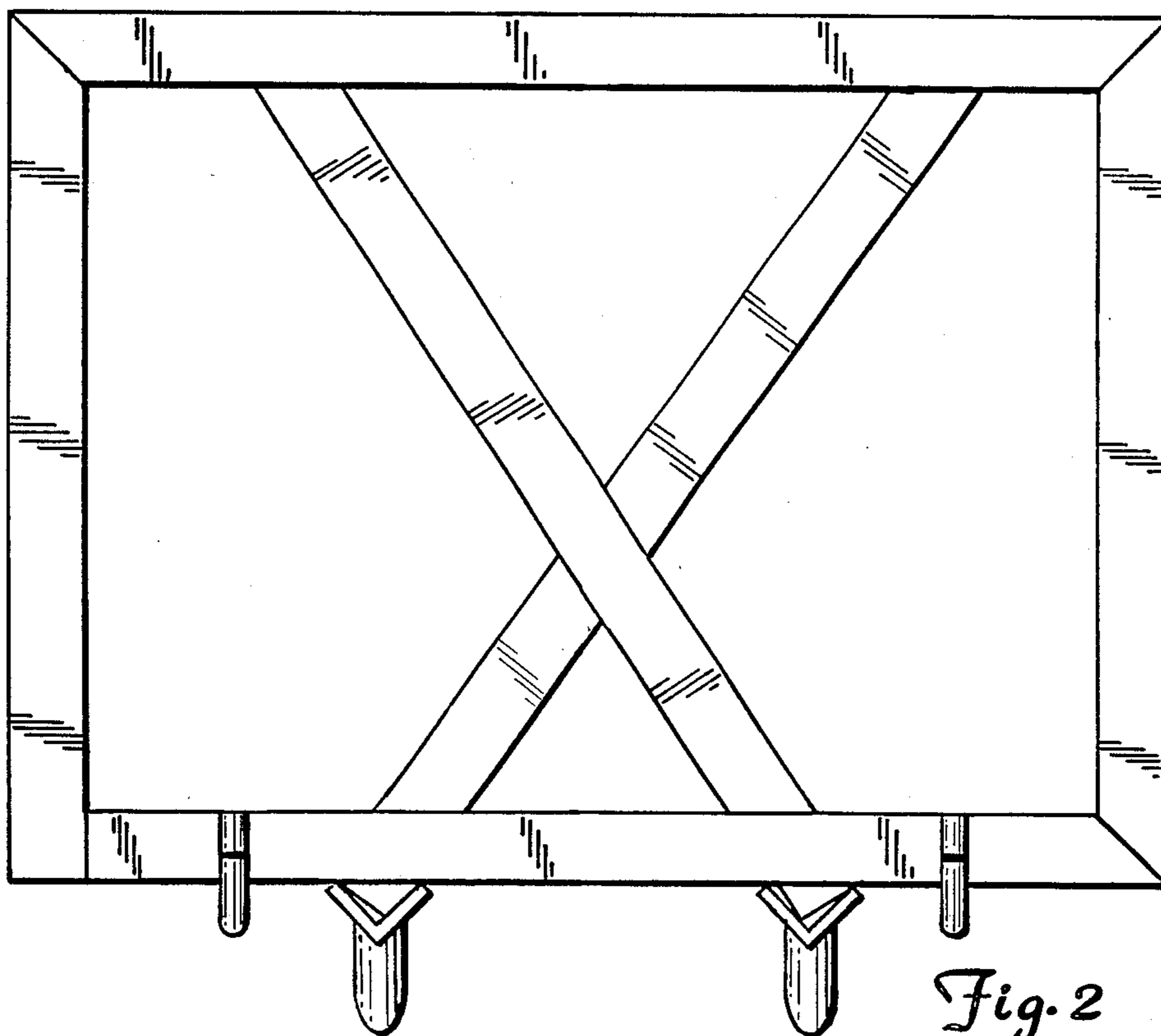
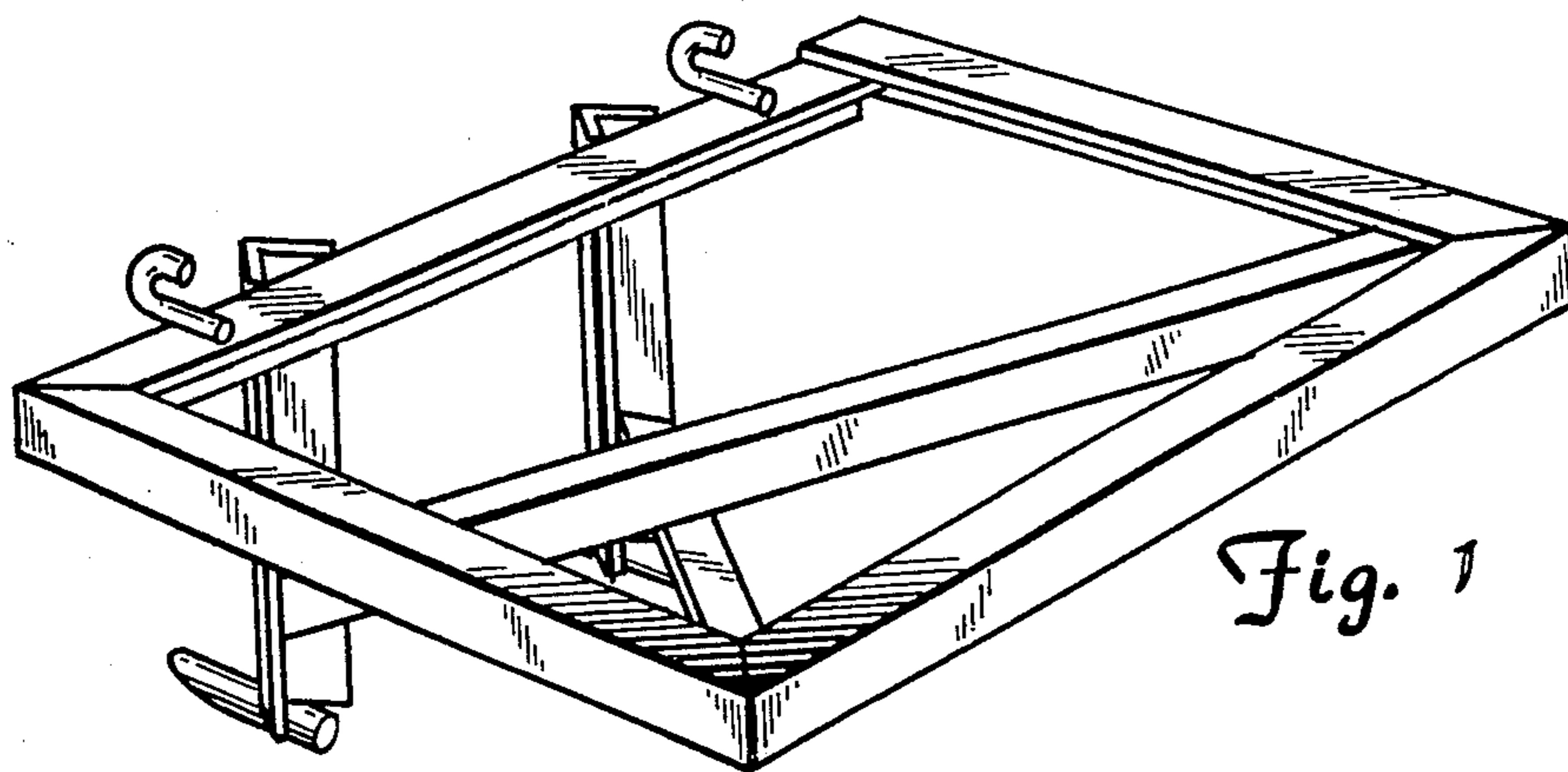
[57] CLAIM

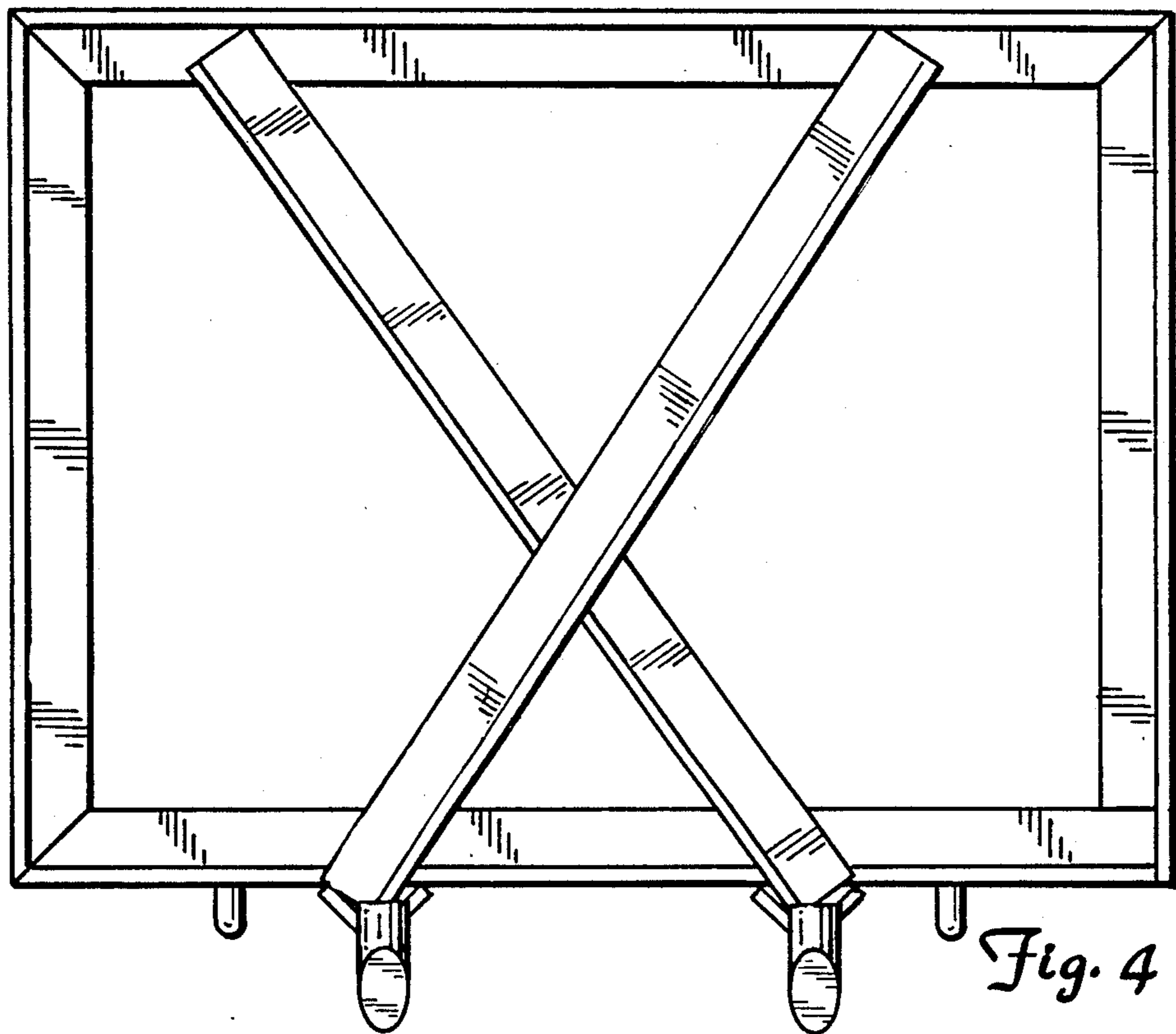
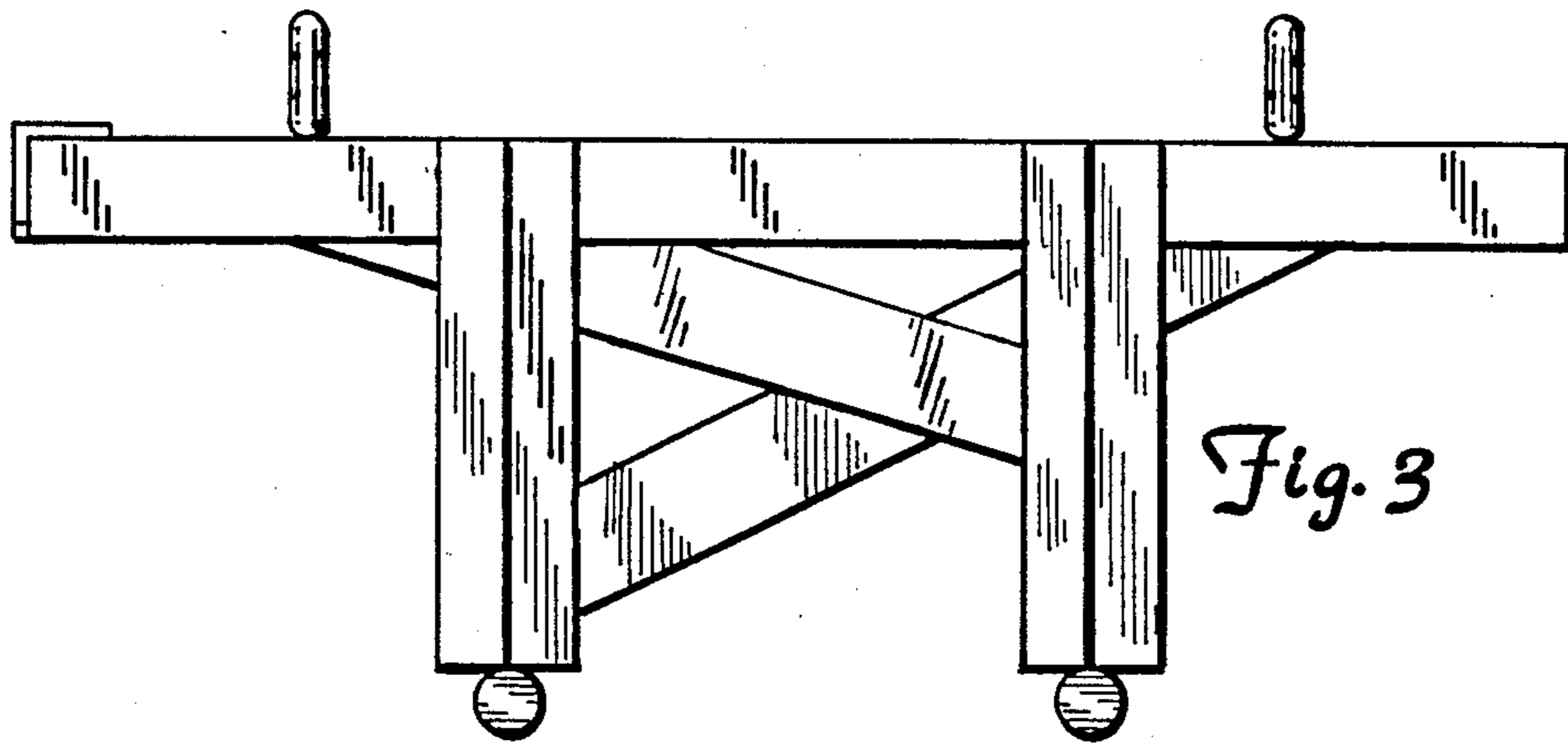
The ornamental design for a deer stand, as shown and described.

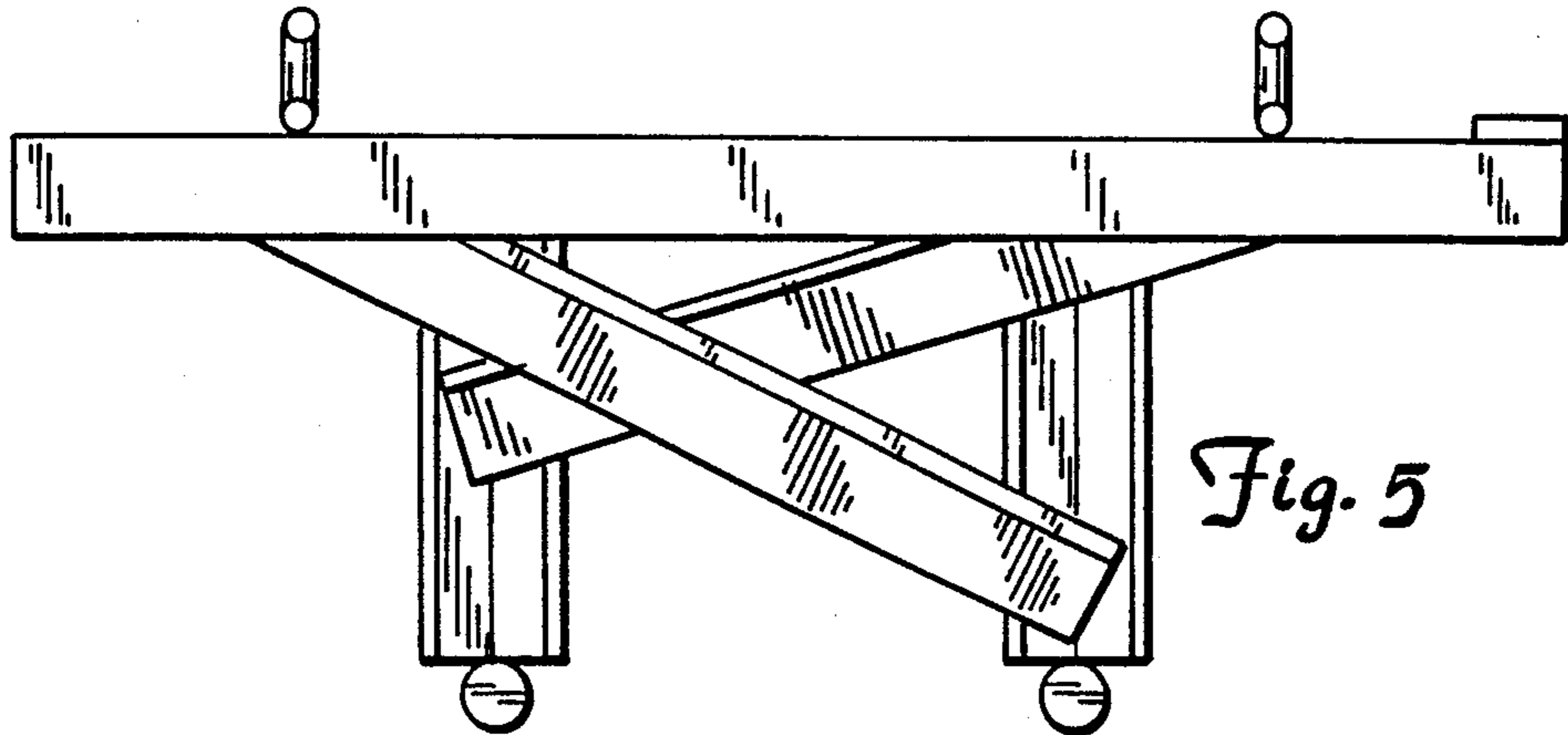
DESCRIPTION

FIG. 1 is a top perspective view of a deer stand showing my new design;  
 FIG. 2 is an enlarged top plan view thereof;  
 FIG. 3 is an enlarged rear elevational view thereof;  
 FIG. 4 is an enlarged bottom plan view thereof;  
 FIG. 5 is an enlarged front elevational view thereof;  
 FIG. 6 is an enlarged side elevational view of the right side thereof;  
 FIG. 7 is an enlarged left side elevational view thereof;  
 FIG. 8 is a perspective view of a modification of a deer stand showing my new design;  
 FIG. 9 is an enlarged top plan view of FIG. 8;  
 FIG. 10 is an enlarged rear elevational view of FIG. 8;  
 FIG. 11 is an enlarged bottom plan view of FIG. 8;  
 FIG. 12 is an enlarged front elevational view of FIG. 8;  
 FIG. 13 is an enlarged right side elevational view of FIG. 8; and,  
 FIG. 14 is an enlarged left side elevational view of FIG. 8.

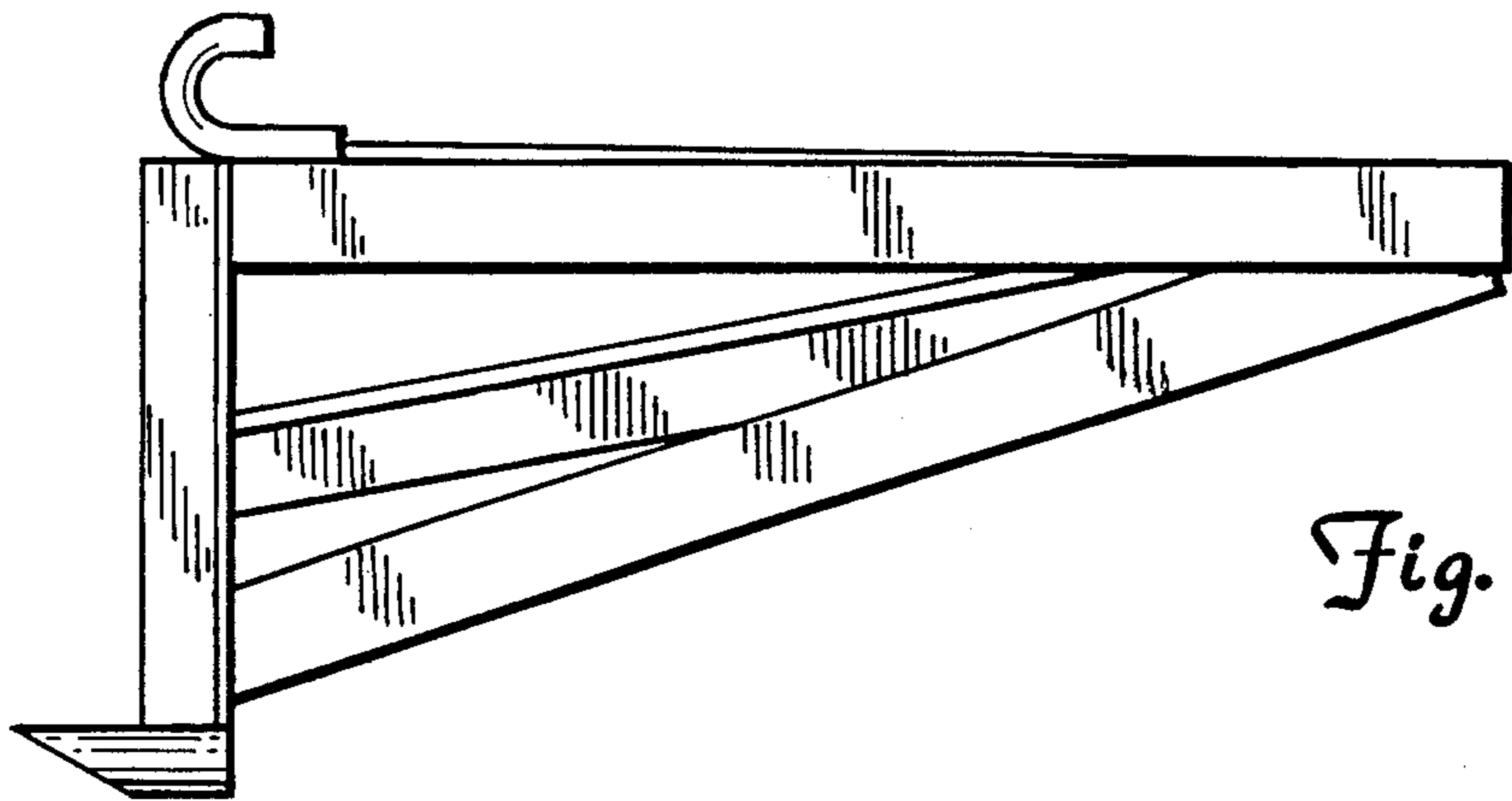




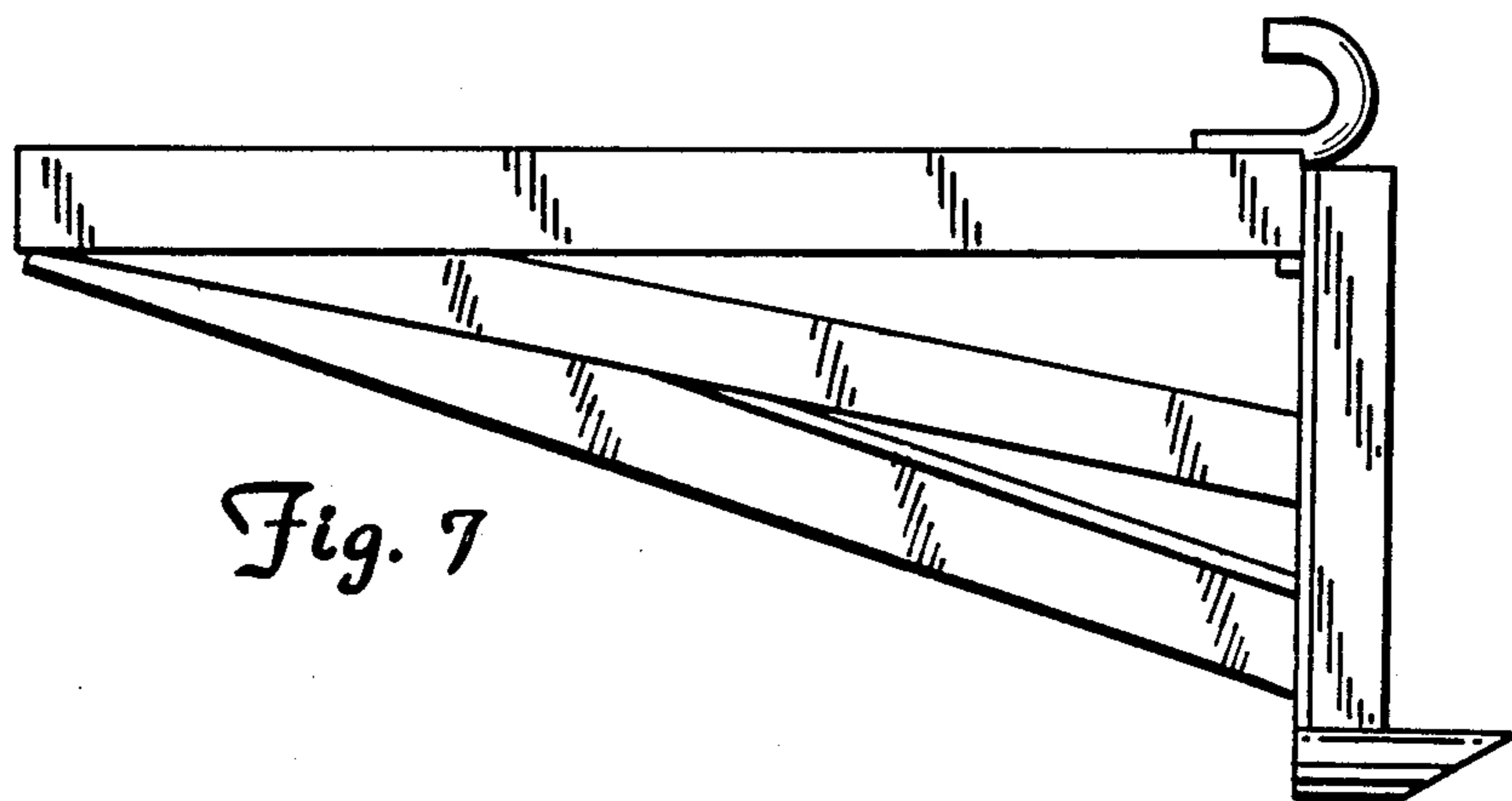




*Fig. 5*

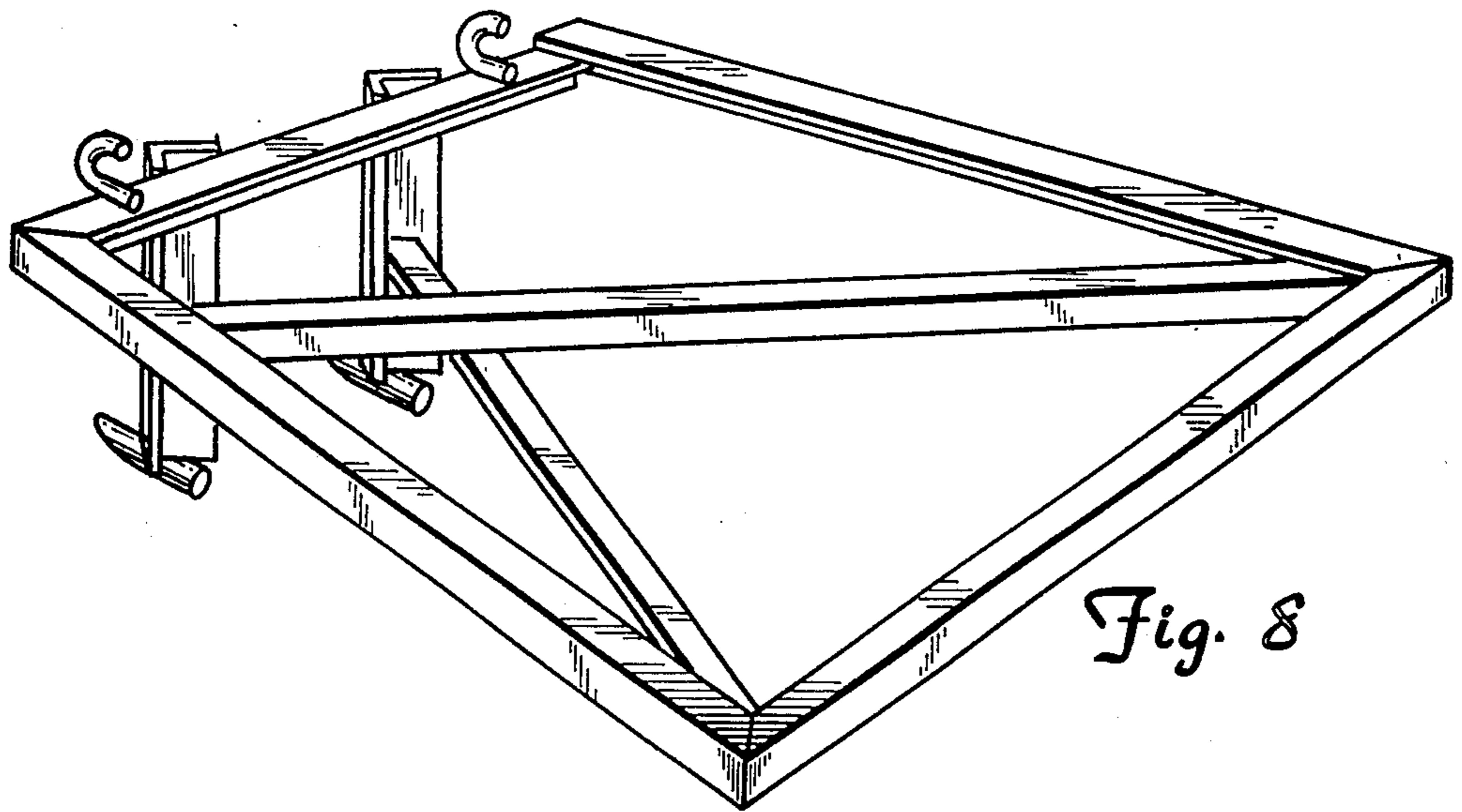


*Fig. 6*

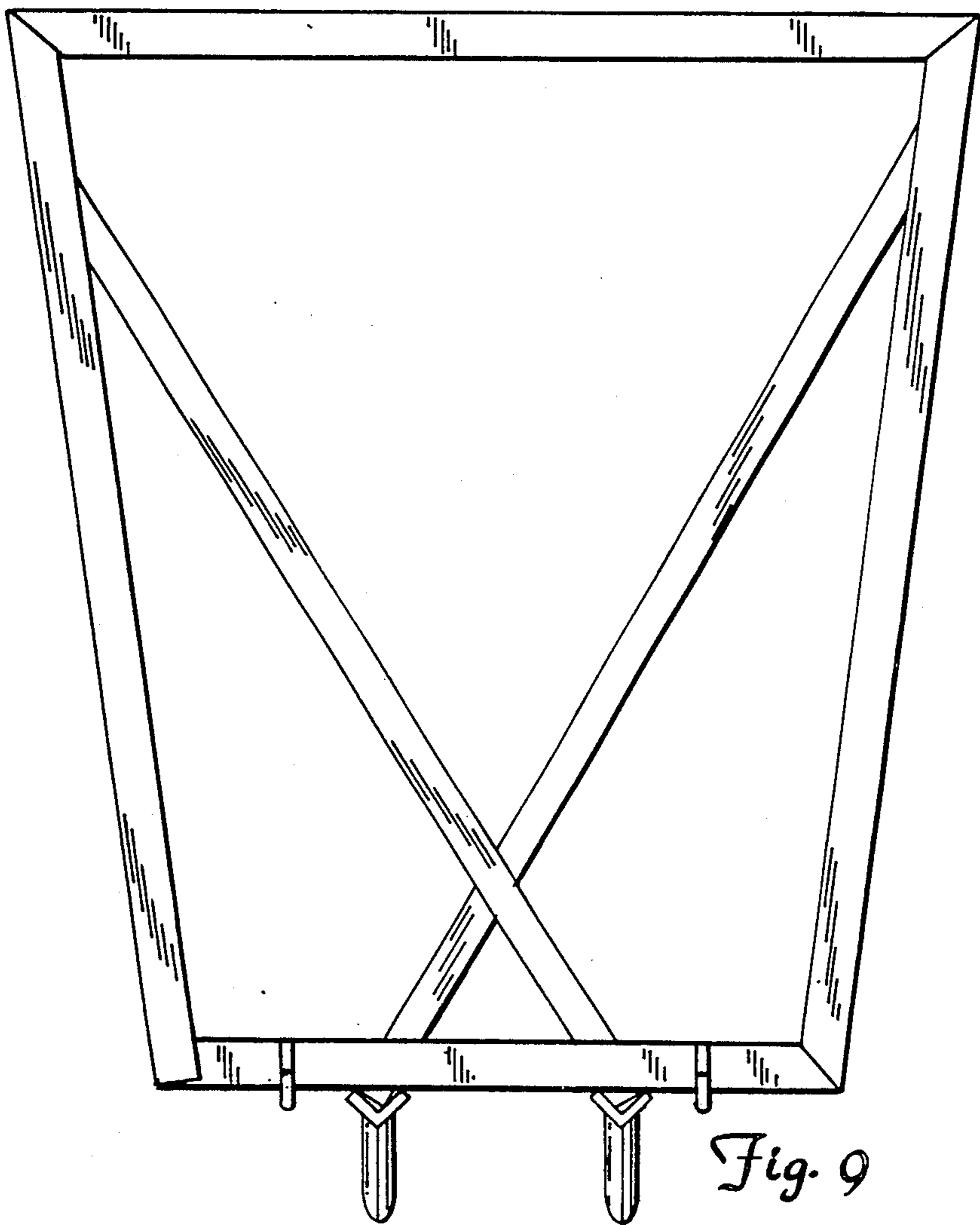


*Fig. 7*

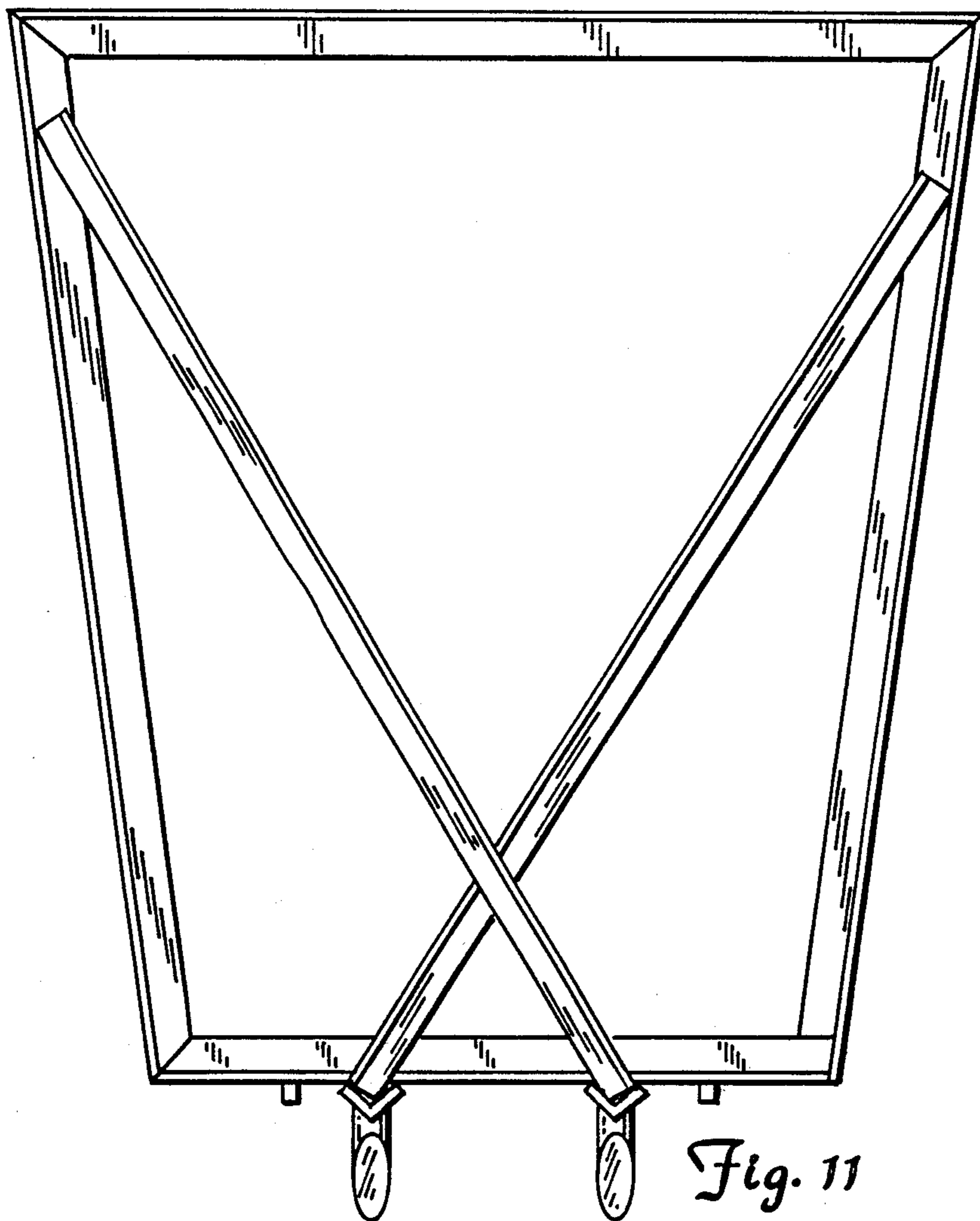




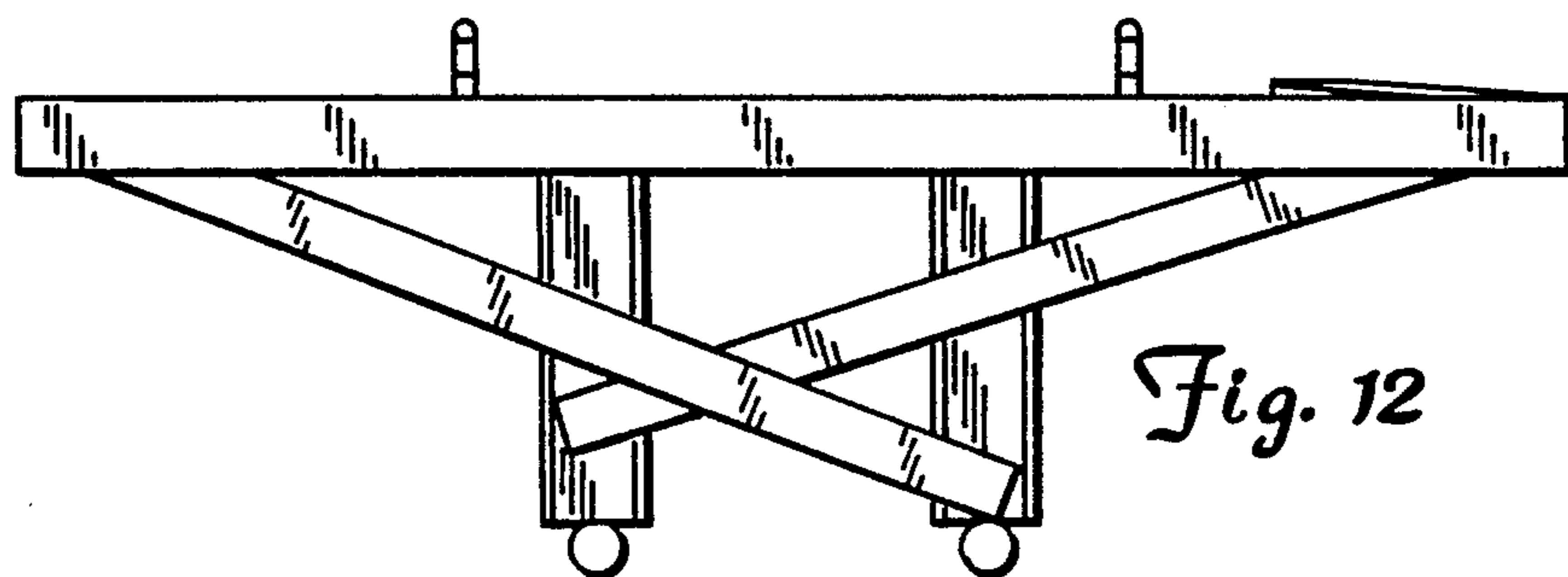
*Fig. 8*



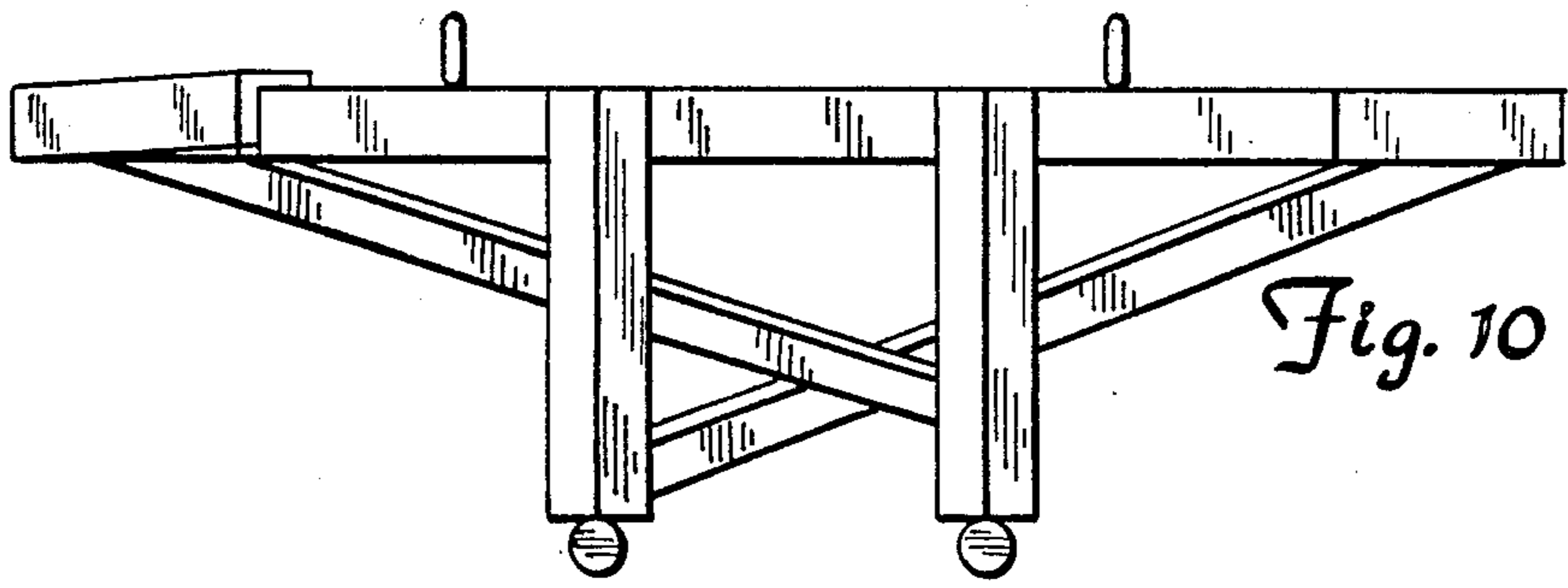
*Fig. 9*



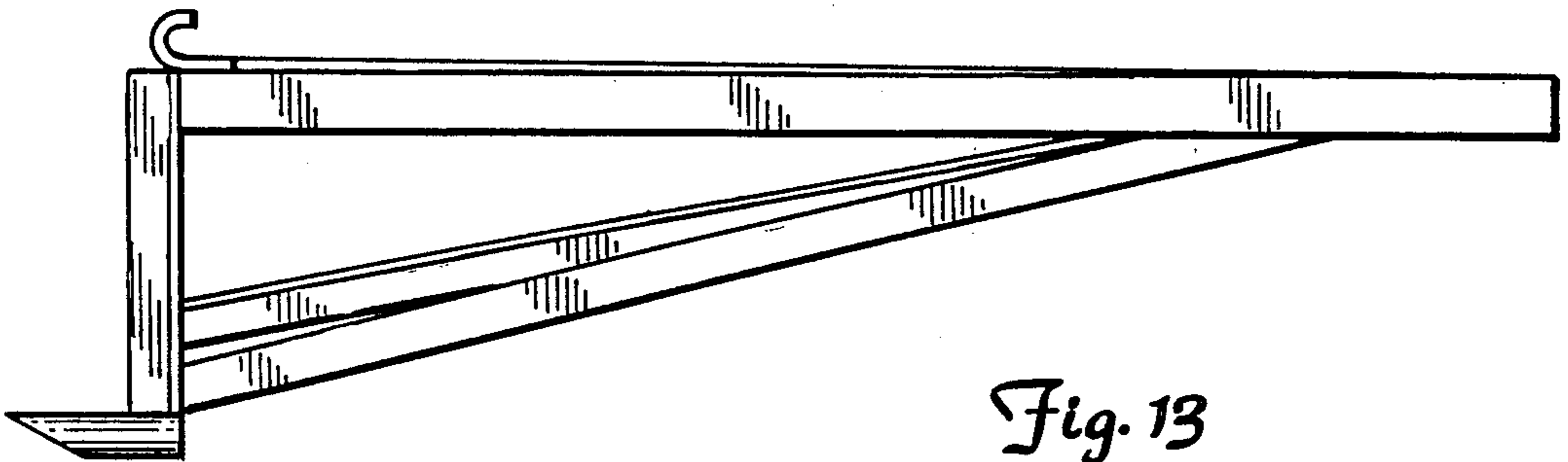
*Fig. 11*



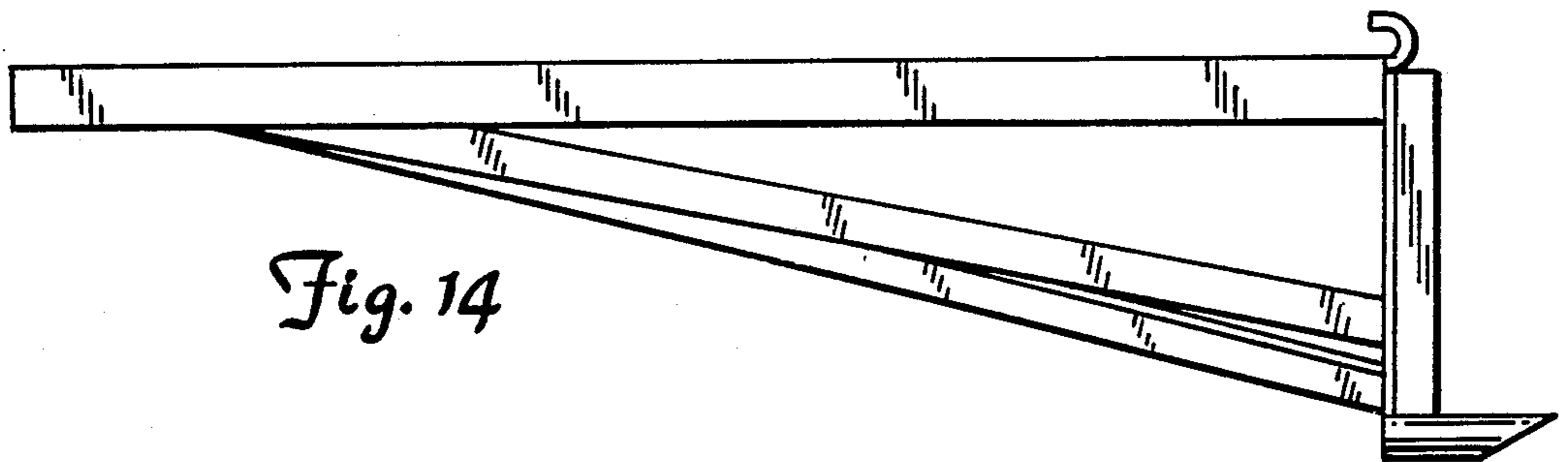
*Fig. 12*



*Fig. 10*



*Fig. 13*



*Fig. 14*