

[54] MEDICAL ULTRASOUND SCANNER

[75] Inventor: Joseph L. Ungar, Redmond, Wash.

[73] Assignee: Advanced Technology Laboratories, Inc., Bothell, Wash.

[\*\*] Term: 14 Years

[21] Appl. No.: 43,682

[22] Filed: Apr. 27, 1987

[52] U.S. Cl. .... D24/17

[58] Field of Search ..... D24/17, 8, 1.1, 2; 128/653, 660.7; 73/632, 640, 641, 625, 620, 629; 312/209

[56] References Cited

U.S. PATENT DOCUMENTS

- D. 235,580 6/1975 Miller ..... D24/1.1
- D. 280,762 9/1985 LaCelle et al. .... D24/17
- D. 285,484 9/1986 LaCelle et al. .... D24/1.1
- D. 286,325 10/1986 LaCelle et al. .... D24/1.1

- D. 300,241 3/1989 La Celle et al. .... D24/1.1
- 3,070,695 12/1962 Stickney et al. .... D24/2
- 4,058,001 11/1977 Waxman ..... 128/660.07
- 4,625,731 12/1986 Quedens et al. .... 128/660.07

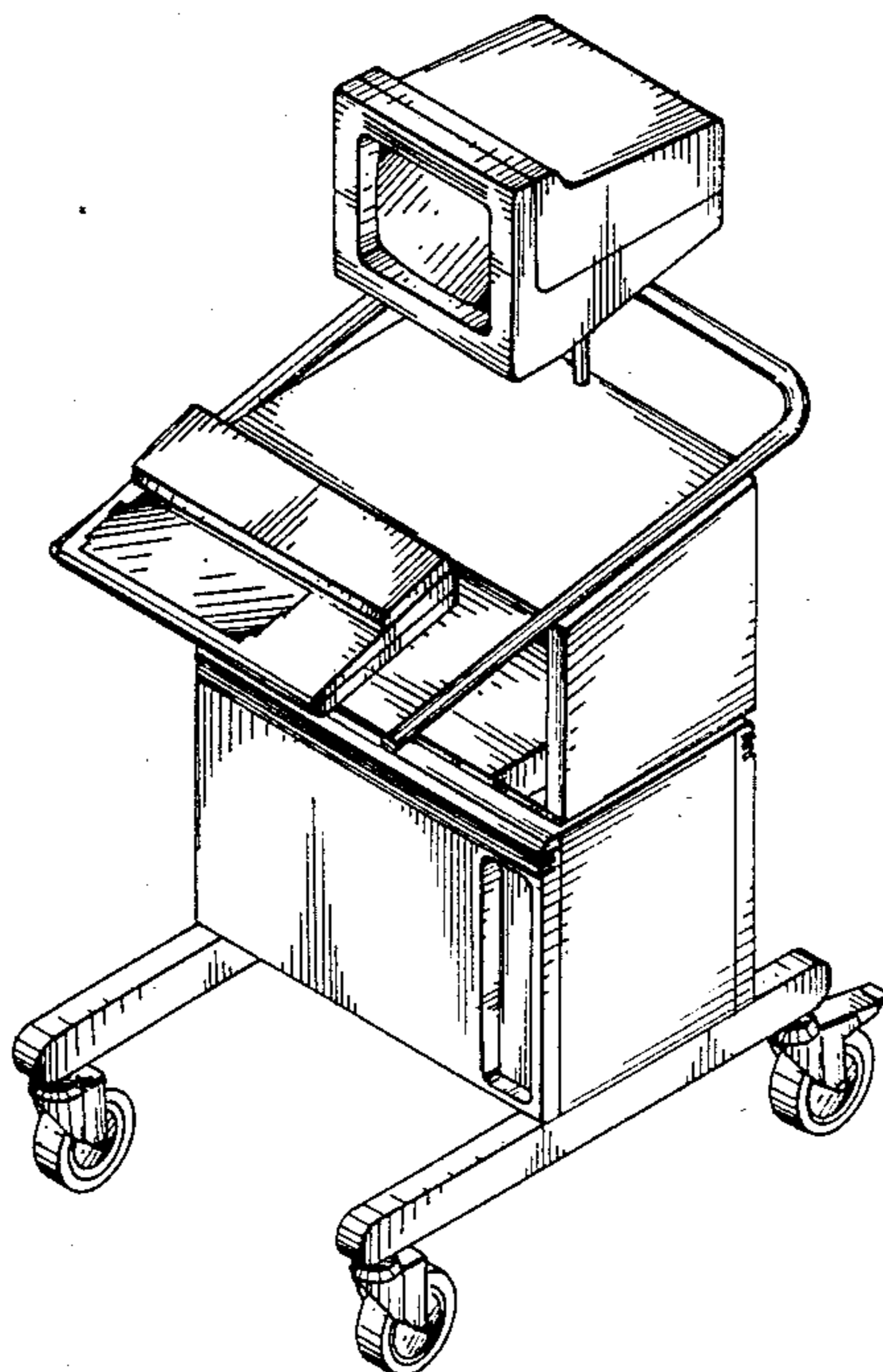
Primary Examiner—A. Hugo Word  
Assistant Examiner—Stella M. Reid  
Attorney, Agent, or Firm—Christensen, O'Connor, Johnson & Kindness

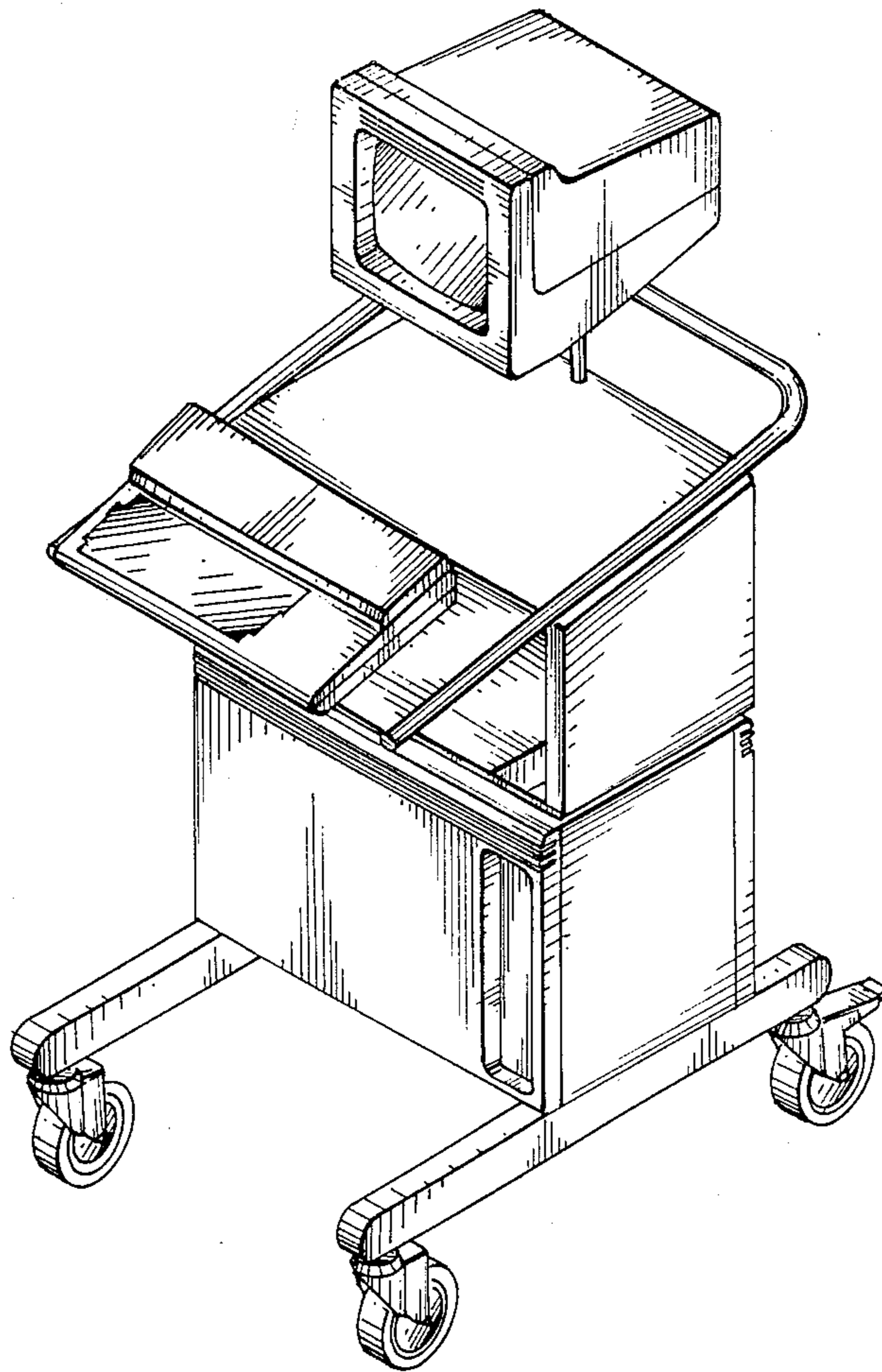
[57] CLAIM

The ornamental design for a medical ultrasound scanner, as shown and described.

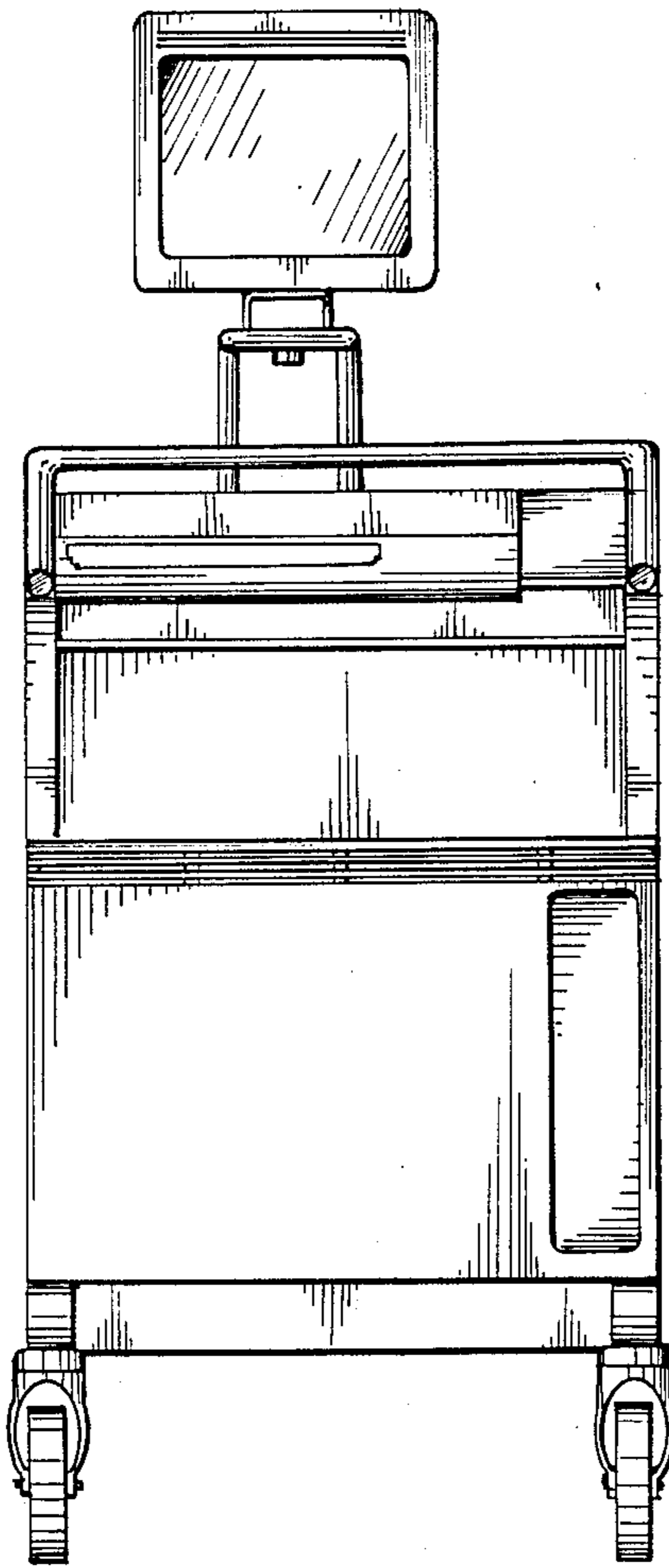
DESCRIPTION

FIG. 1 is a front perspective view of a medical ultrasound scanner showing my new design; FIG. 2 is a front elevational view thereof; FIG. 3 is a rear elevational view thereof; FIG. 4 is a right side elevational view thereof, the opposite side being identical thereto. FIG. 5 is a top plan view thereof; and FIG. 6 is a bottom plan view thereof.

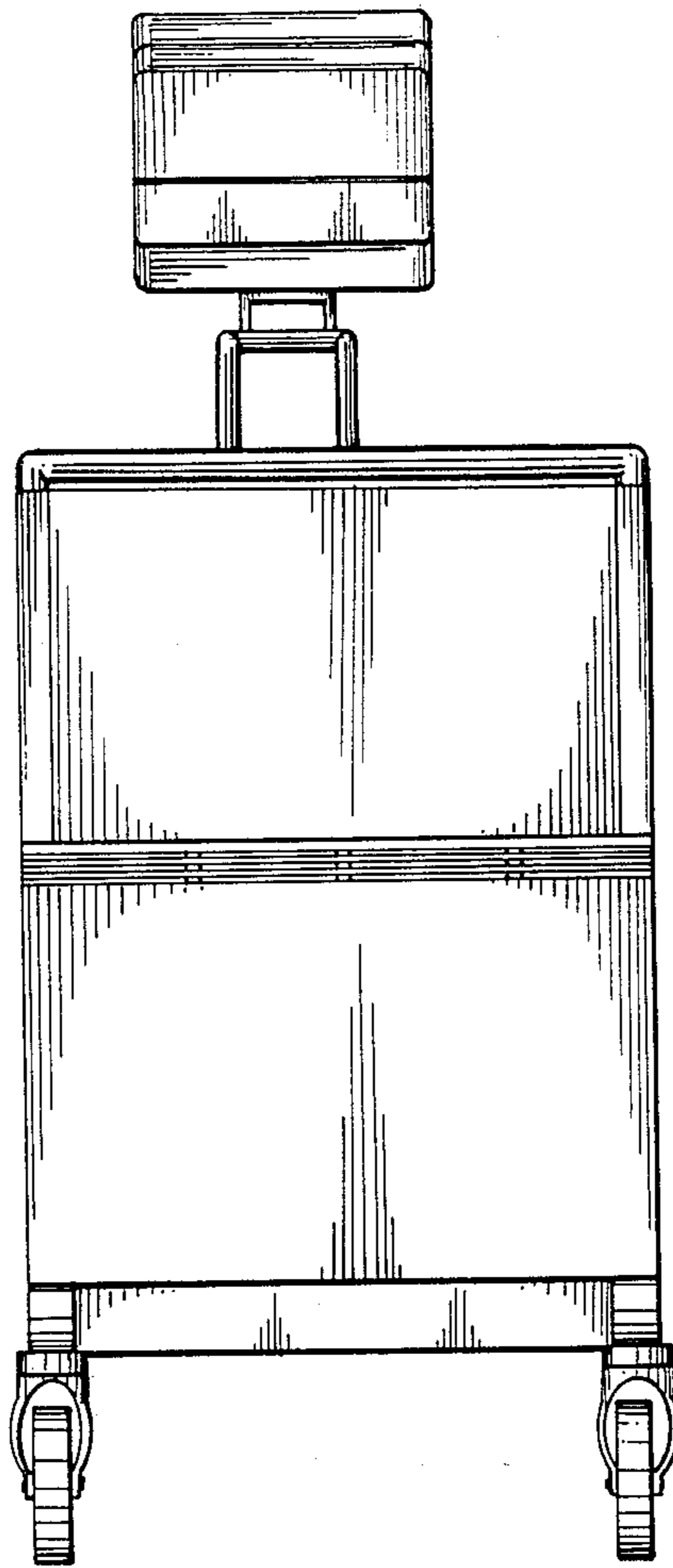




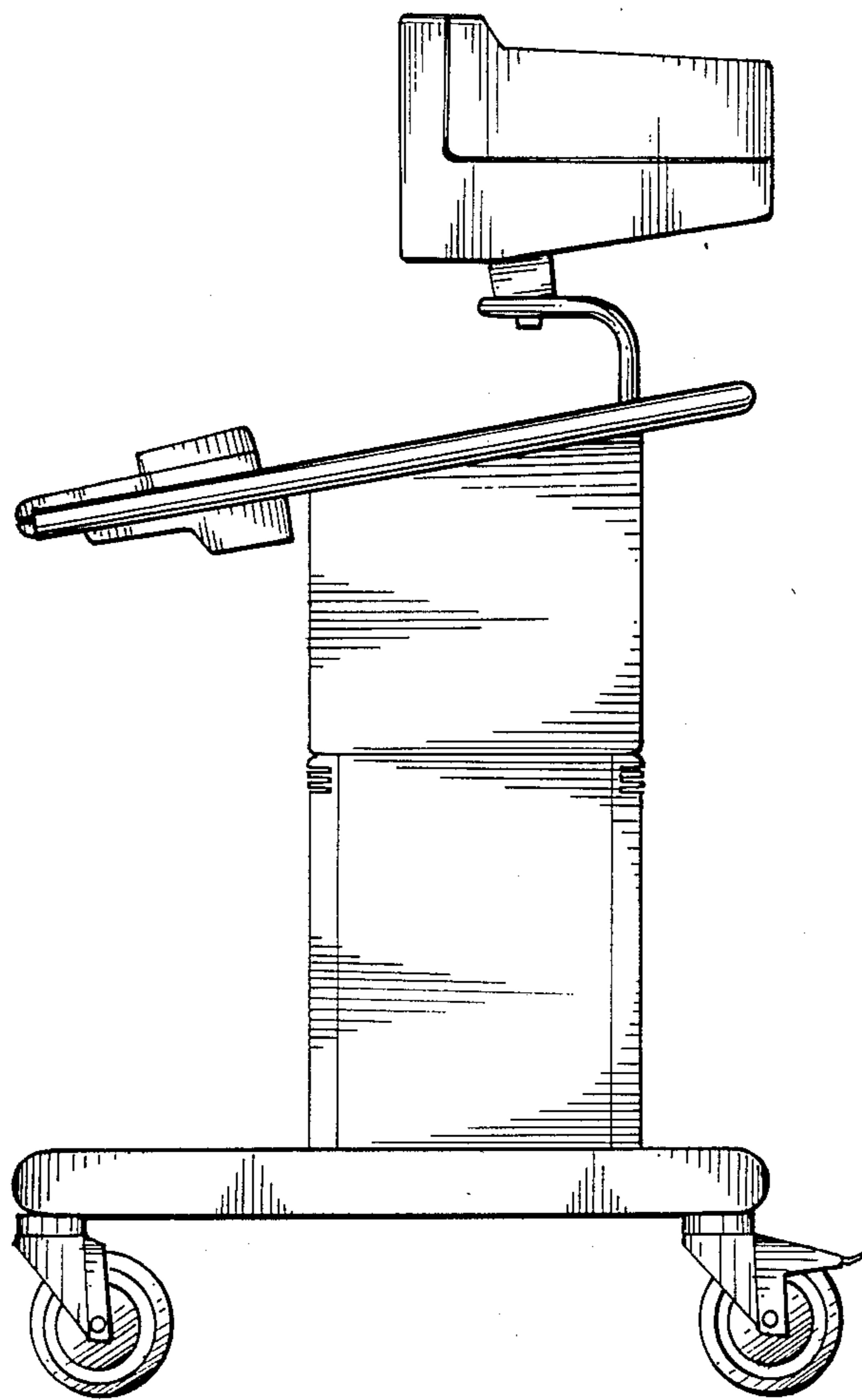
*Fig. 1.*



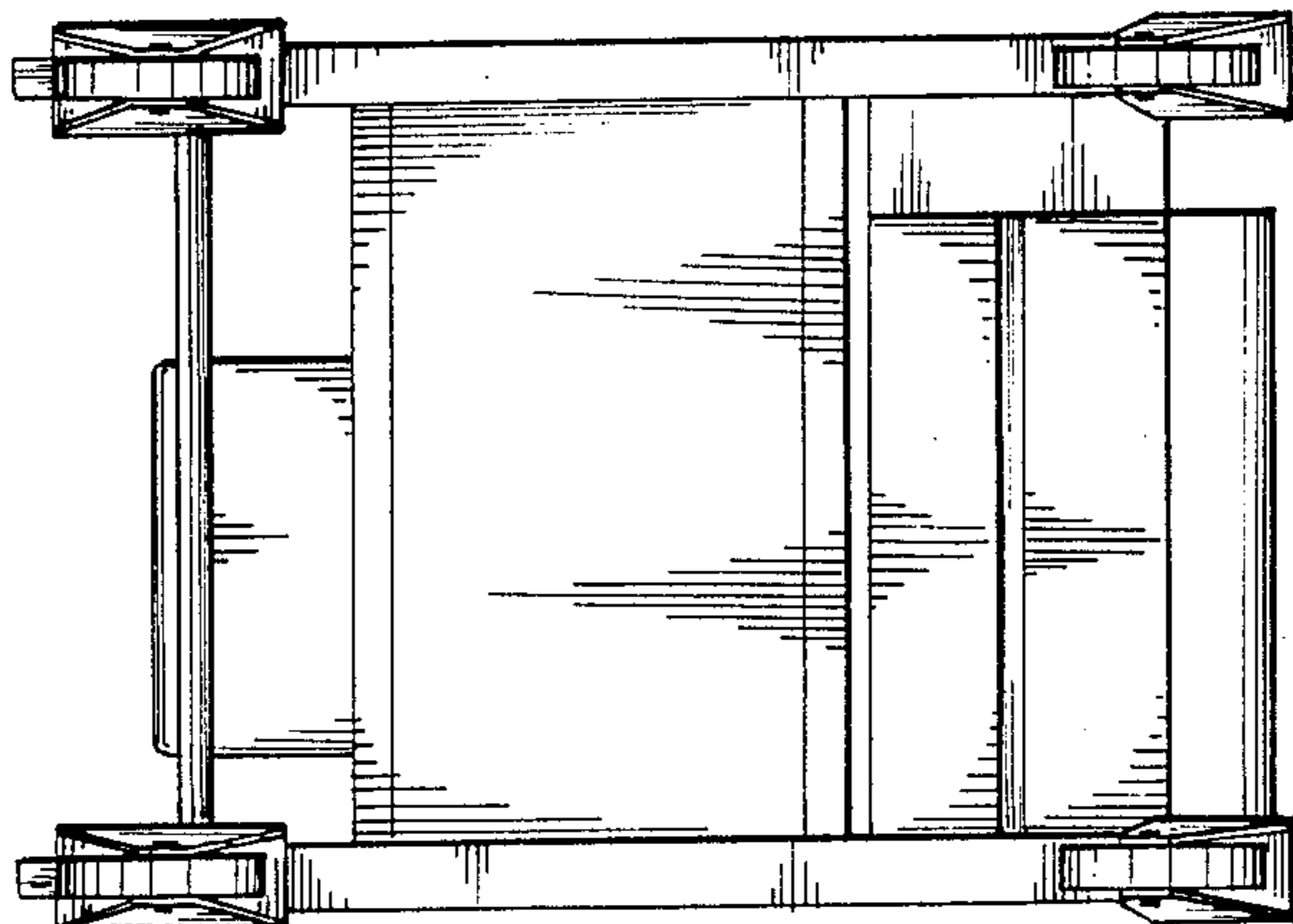
*Fig. 2.*



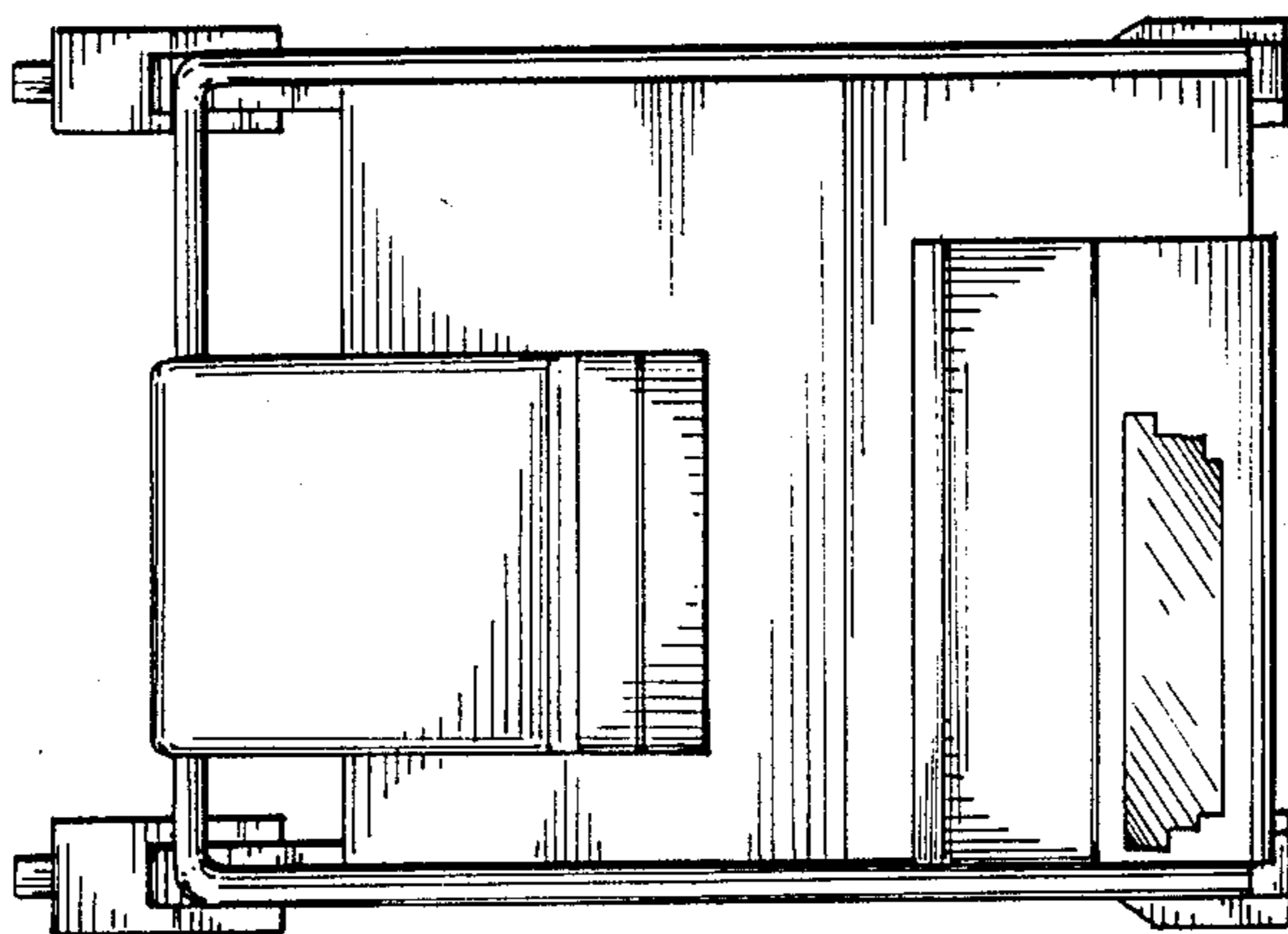
*Fig. 3.*



*Fig. 4.*



*Fig. 6.*



*Fig. 5.*