

United States Patent [19]

Whiting

[11] Patent Number: **Des. 306,340**

[45] Date of Patent: **** Feb. 27, 1990**

[54] **FILTER HOUSING**

[75] Inventor: **Graham J. Whiting**, Deddington, England

[73] Assignee: **British Alcan Aluminium PLC**, Chalfont Park, England

[**] Term: **14 Years**

[21] Appl. No.: **160,083**

[22] Filed: **Feb. 25, 1988**

[30] **Foreign Application Priority Data**

Sep. 4, 1987 [GB] United Kingdom 1044589
[52] U.S. Cl. **D23/209**
[58] Field of Search D23/207-210;
210/238, 282, 440, 444, 446, 448

[56] **References Cited**

U.S. PATENT DOCUMENTS

D. 234,721 4/1975 Rosenberg et al. D23/209 X

D. 240,300 6/1976 Gelman D23/209
D. 260,175 8/1981 Hein et al. D23/209
D. 267,117 11/1982 Rosenberg D23/209 X
D. 272,175 1/1984 Gedye D23/209
D. 285,606 9/1986 Christopherson D23/209
3,935,111 1/1976 Bentley 210/446
3,954,625 5/1976 Michalski D23/209
4,148,732 4/1979 Burrow et al. 210/232
4,229,306 10/1980 Hein et al. 210/446
4,690,757 1/1987 Mathus et al. 210/446

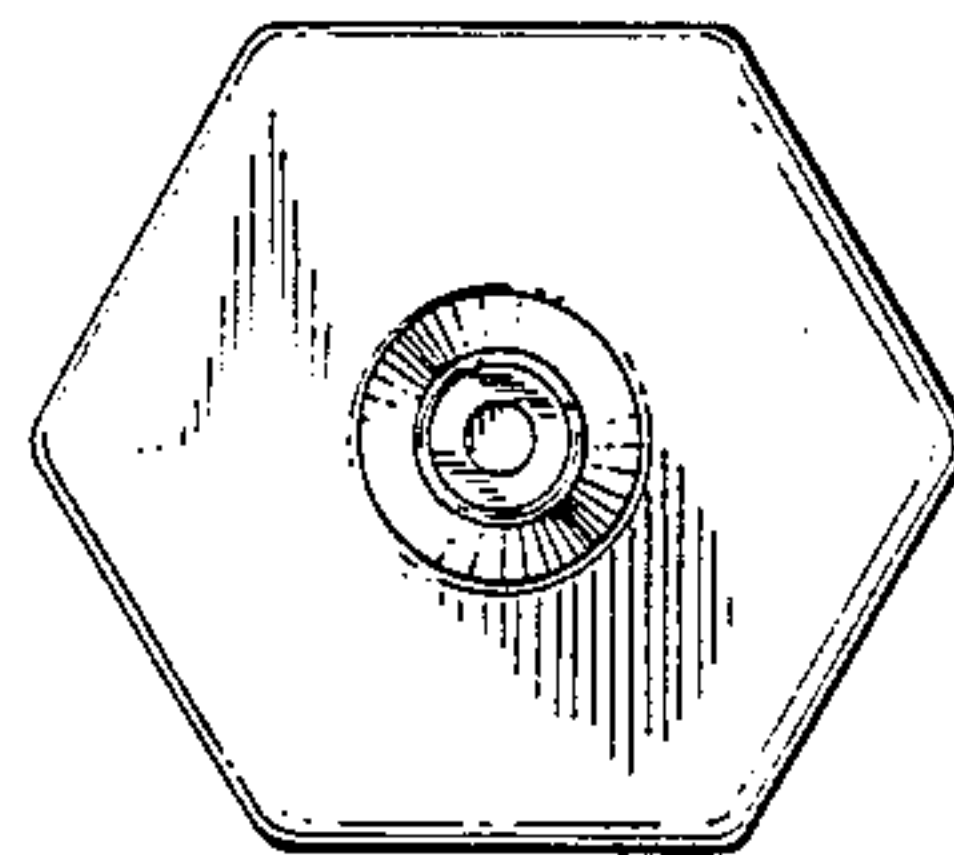
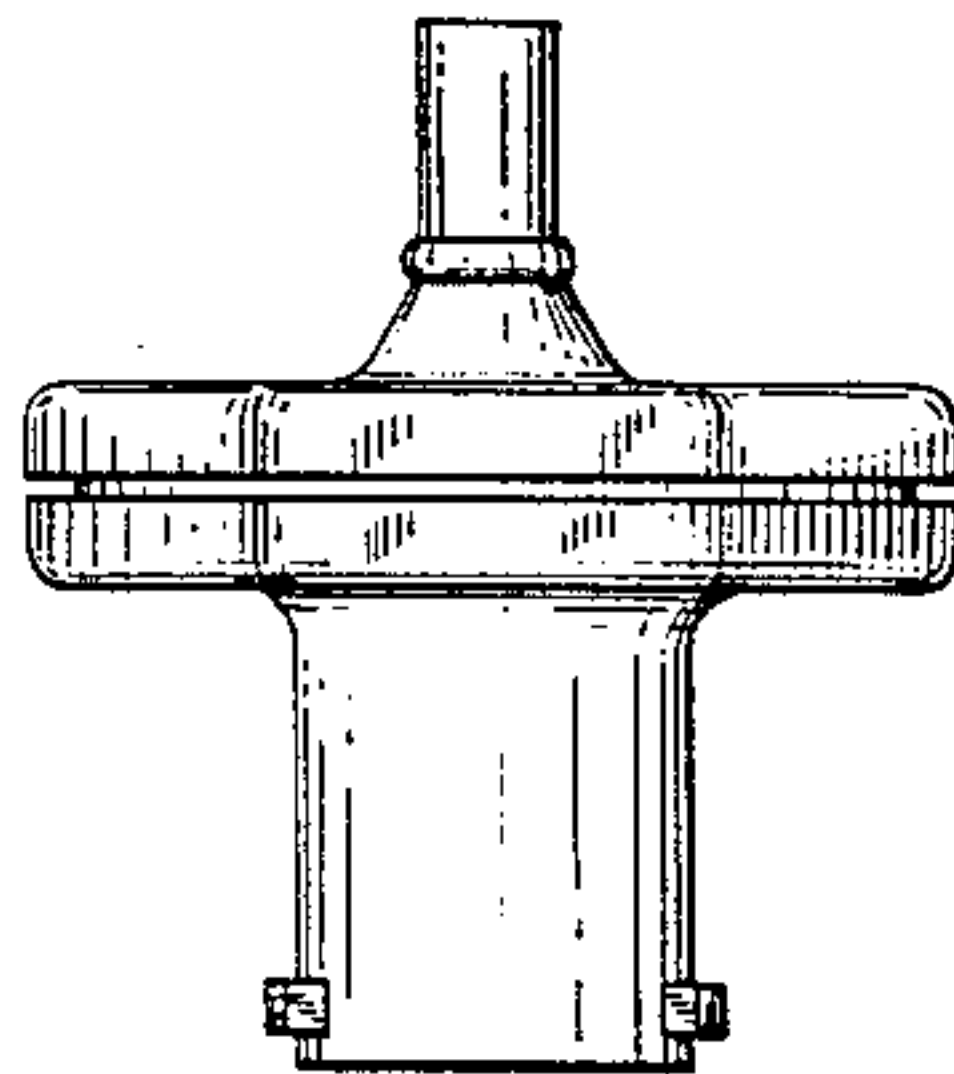
Primary Examiner—Wallace R. Burke
Assistant Examiner—M. Tung
Attorney, Agent, or Firm—Cooper & Dunham

[57] **CLAIM**

The ornamental design for a filter housing, as shown.

DESCRIPTION

FIG. 1 is a side elevational view of a filter housing showing my new design, the undisclosed side having the same appearance as the side shown; FIG. 2 is a top plan view thereof; FIG. 3 is a bottom plan view thereof.



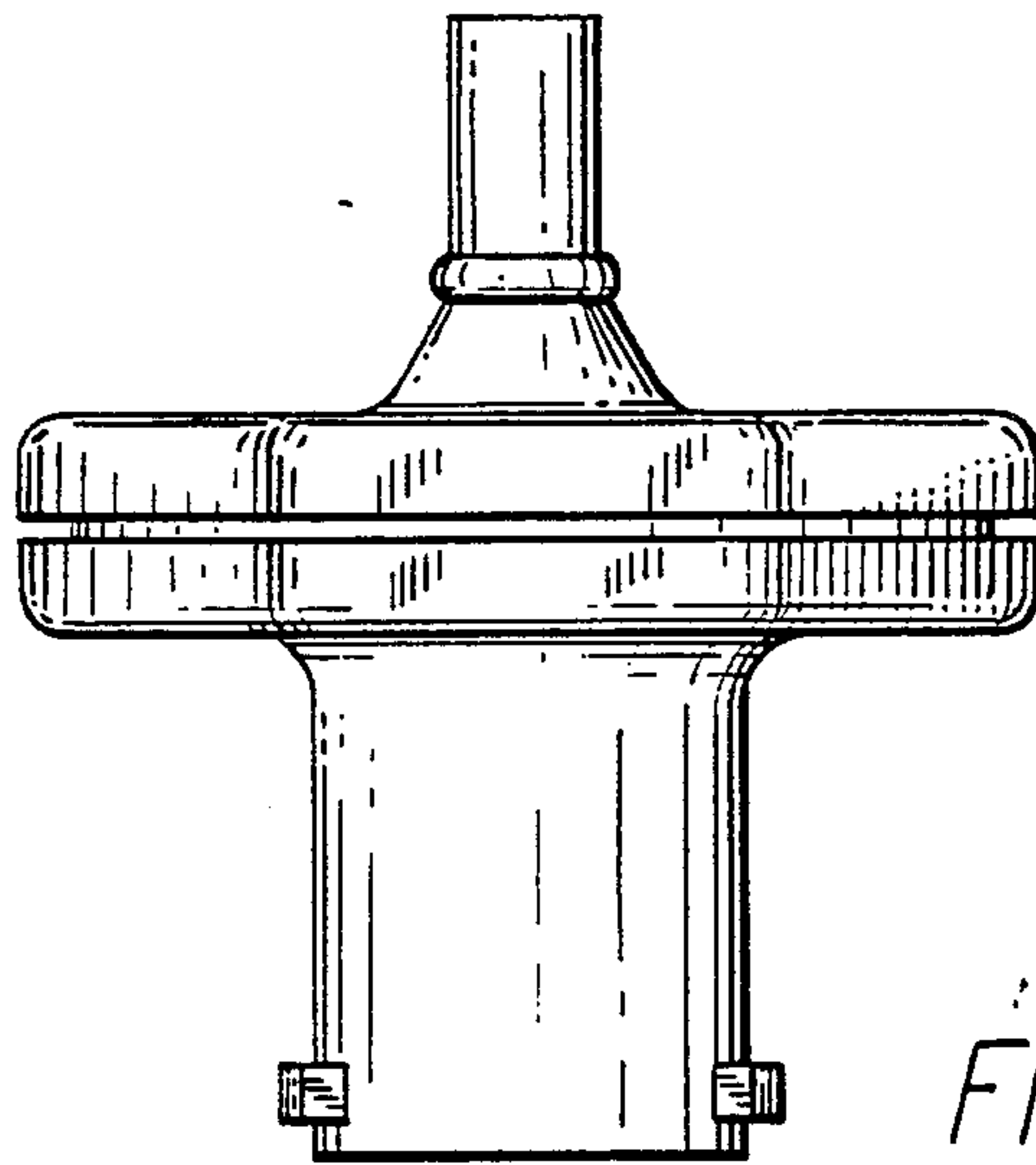


FIG. 1

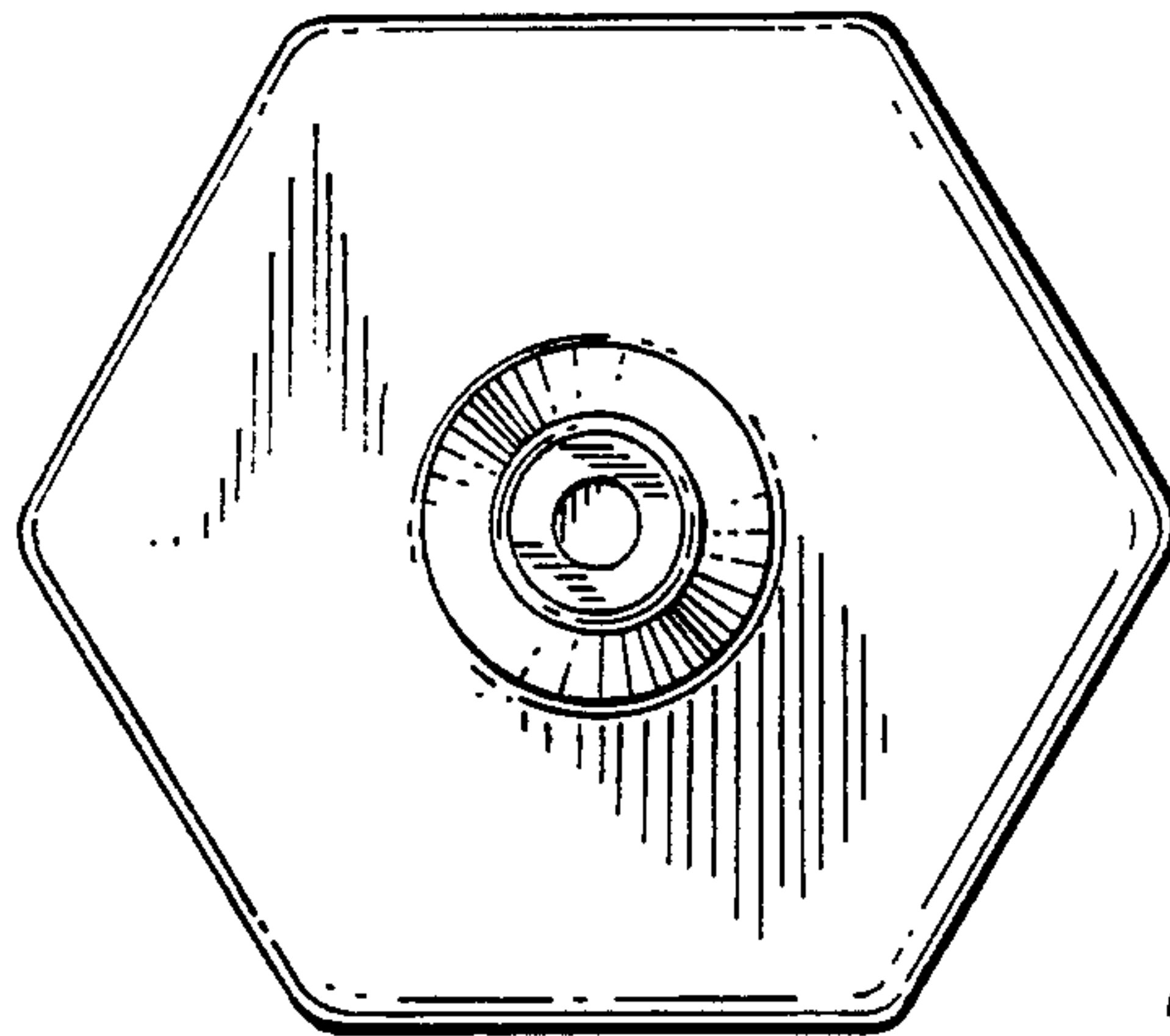


FIG. 2

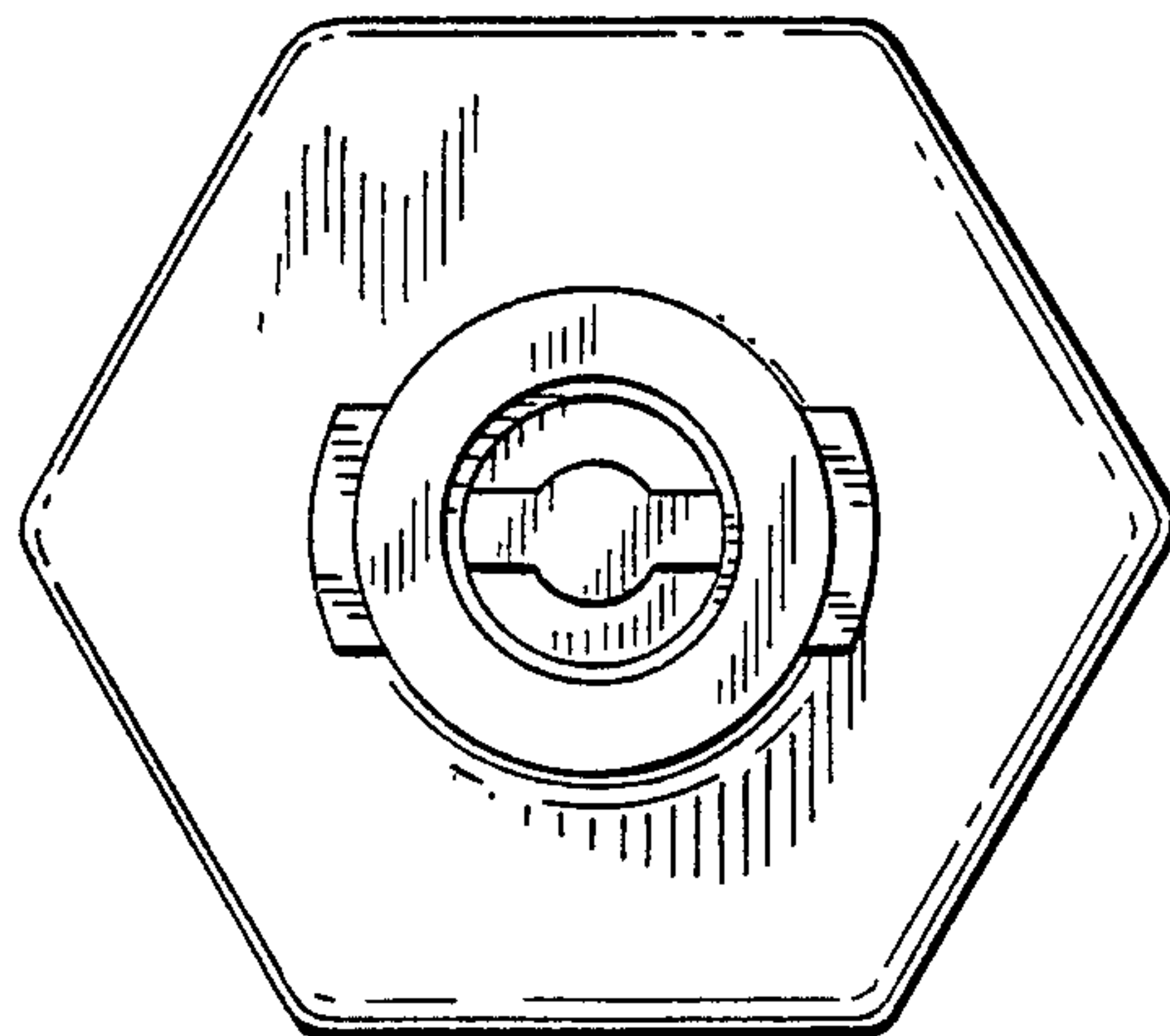


FIG. 3