

[54] **REVERSE OSMOSIS WATER
PURIFICATION UNIT**

[76] **Inventor: Jack P. Slovak, 8901 Crescent,
Huntington Beach, Calif. 92646**

[**] **Term: 14 Years**

[21] **Appl. No.: 79,602**

[22] **Filed: Jul. 30, 1987**

[52] **U.S. Cl. D23/207**

[58] **Field of Search D23/207, 208; 210/652,
210/653, 654, 655, 321.89**

[56] **References Cited**

U.S. PATENT DOCUMENTS

- D. 215,000 8/1969 Young D23/207
- D. 268,866 5/1983 Desai et al. D23/207
- D. 278,650 4/1985 Slovak et al. D23/209

- D. 290,638 6/1987 Bishop D23/207
- D. 296,126 6/1988 Clark D23/207
- 4,391,712 7/1983 Tyler et al. 210/652

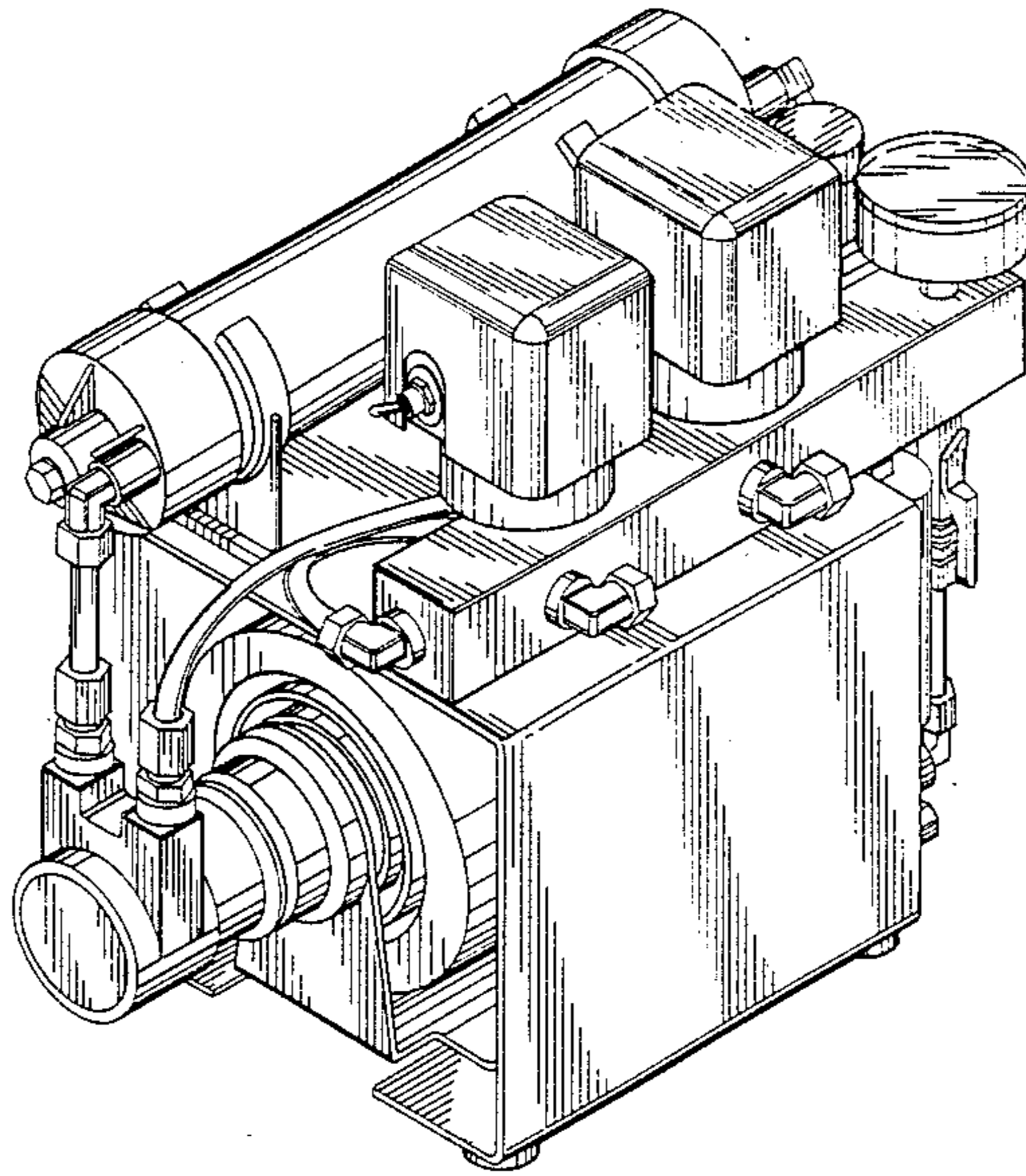
Primary Examiner—James M. Gandy
Assistant Examiner—Lisa Lichtenstein
Attorney, Agent, or Firm—Leonard Tachner

[57] **CLAIM**

The ornamental design for a reverse osmosis water purification unit, as shown.

DESCRIPTION

FIG. 1 is a perspective view of a reverse osmosis water purification unit showing my new design;
FIG. 2 is a top plan view thereof
FIG. 3 is a left side elevational view thereof;
FIG. 4 is a rear elevational view thereof;
FIG. 5 is a front elevational view thereof; and
FIG. 6 is a right side elevational view thereof.



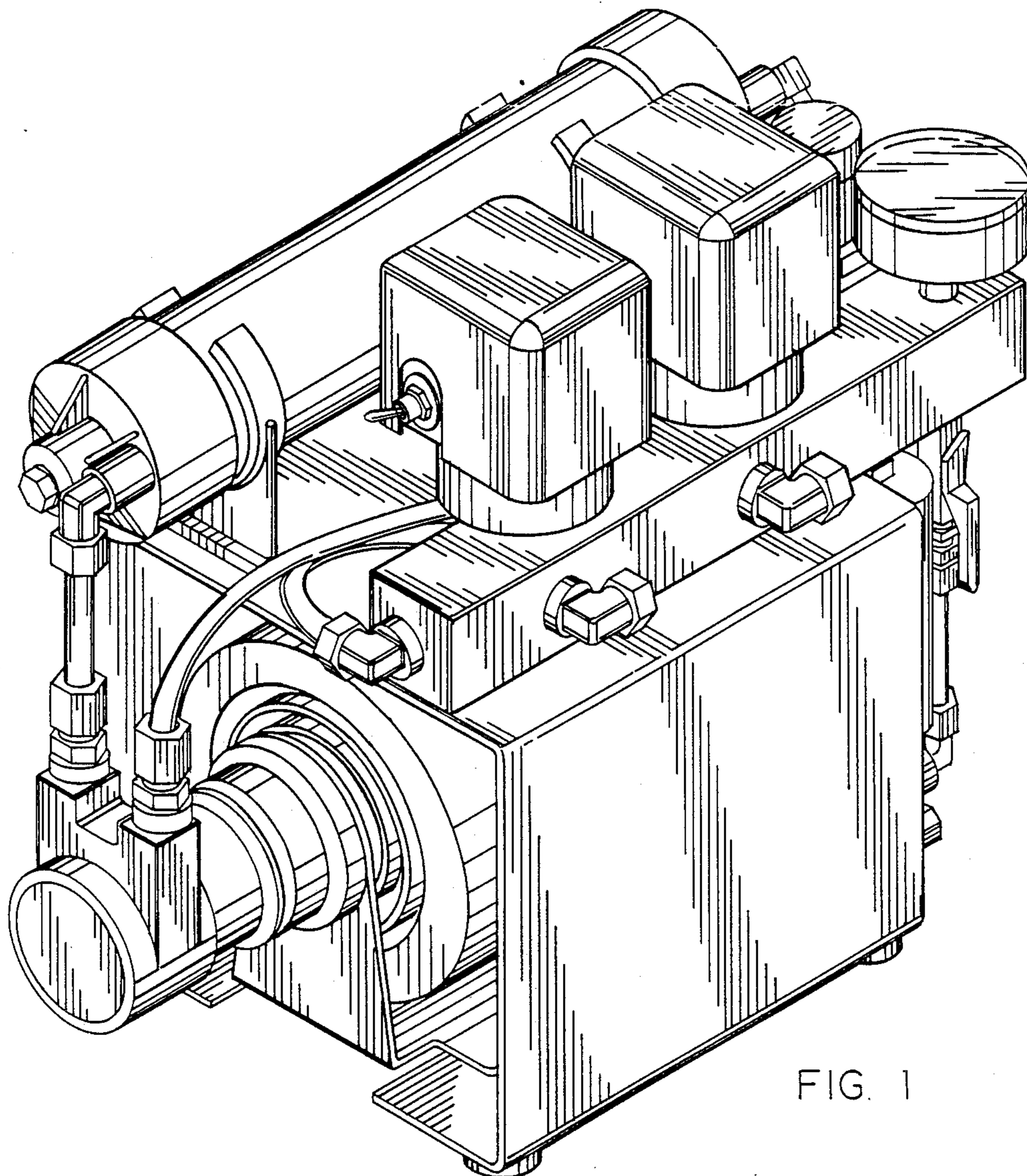
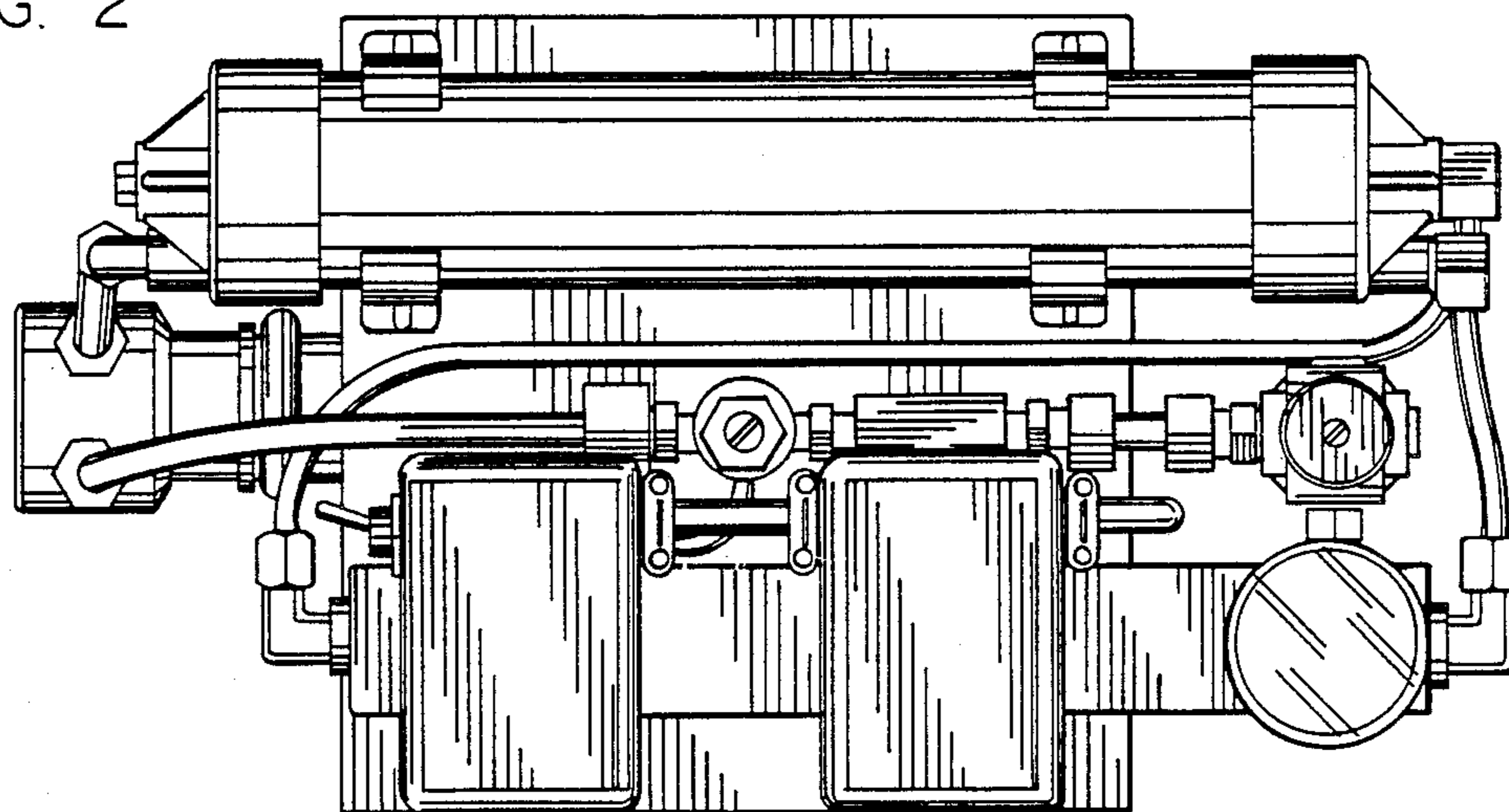


FIG. 1

FIG. 2



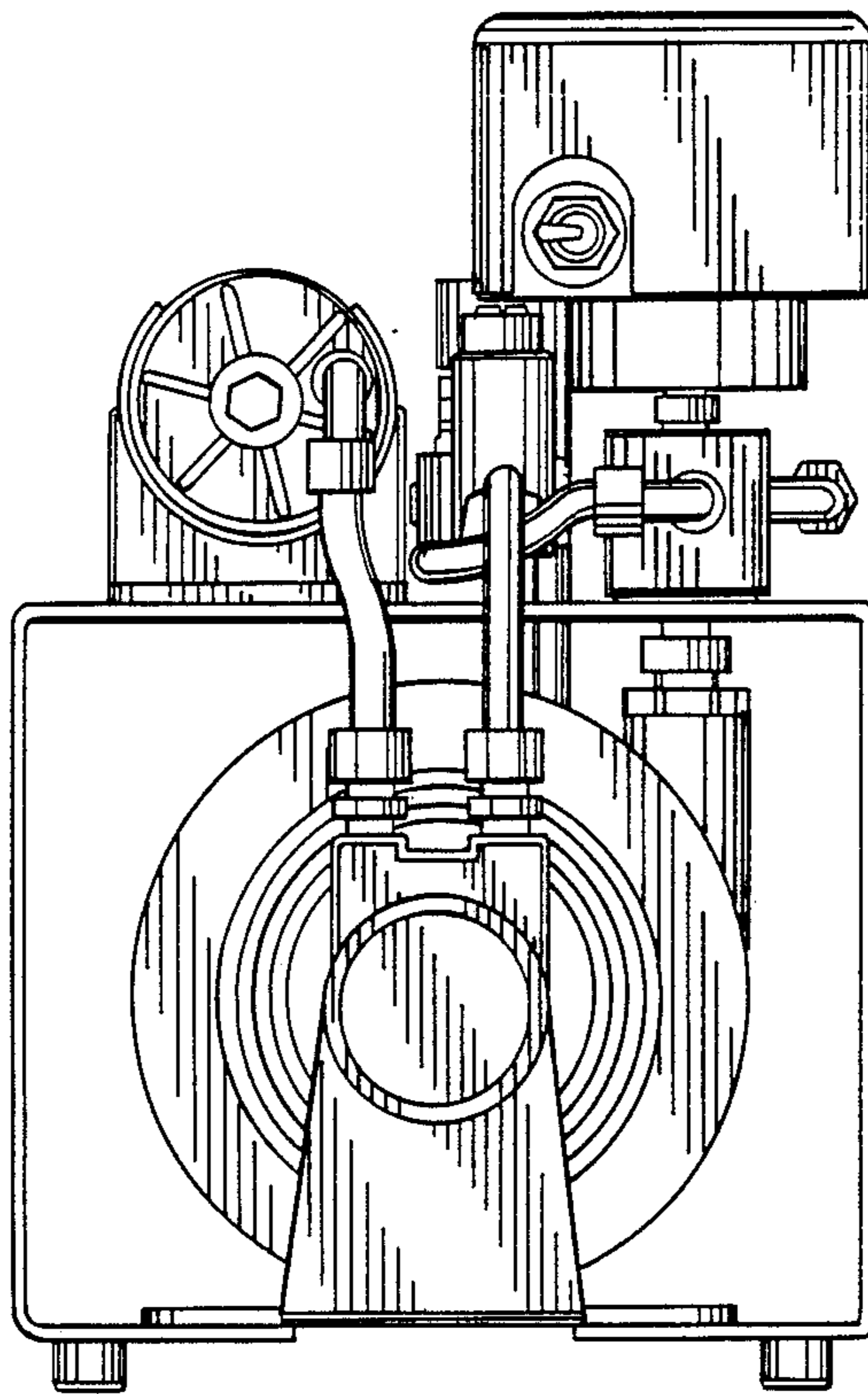


FIG. 3

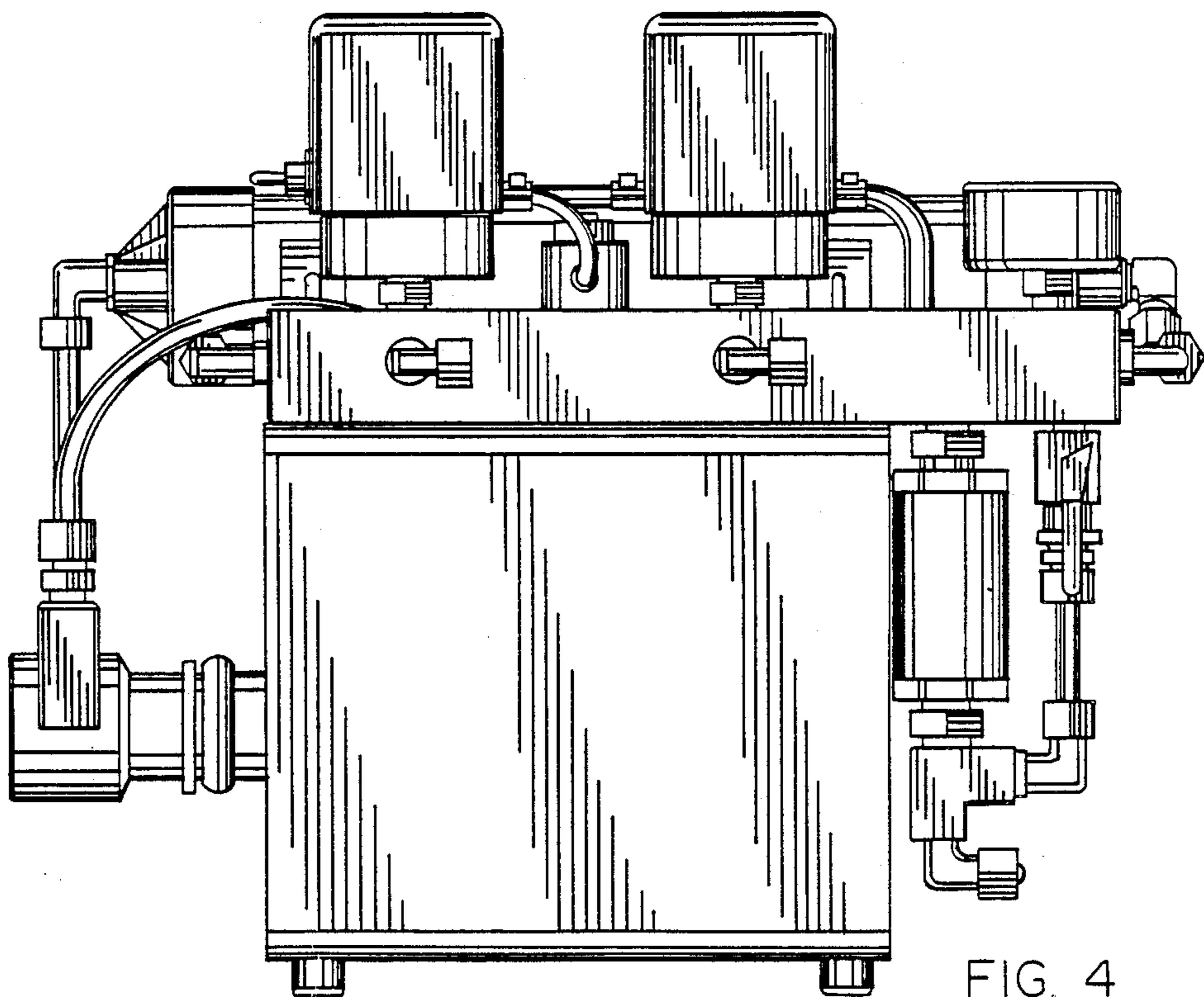


FIG. 4

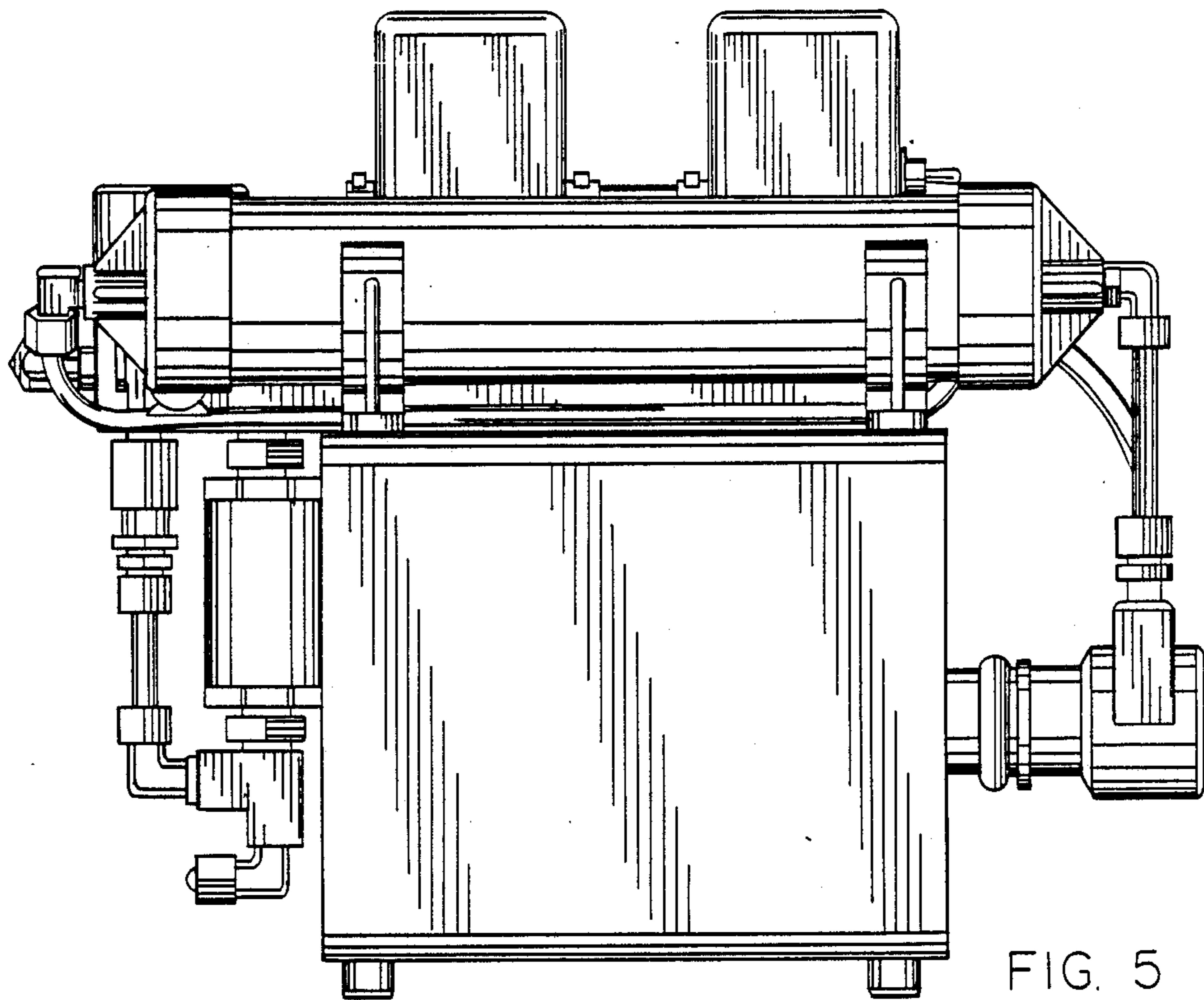


FIG. 5

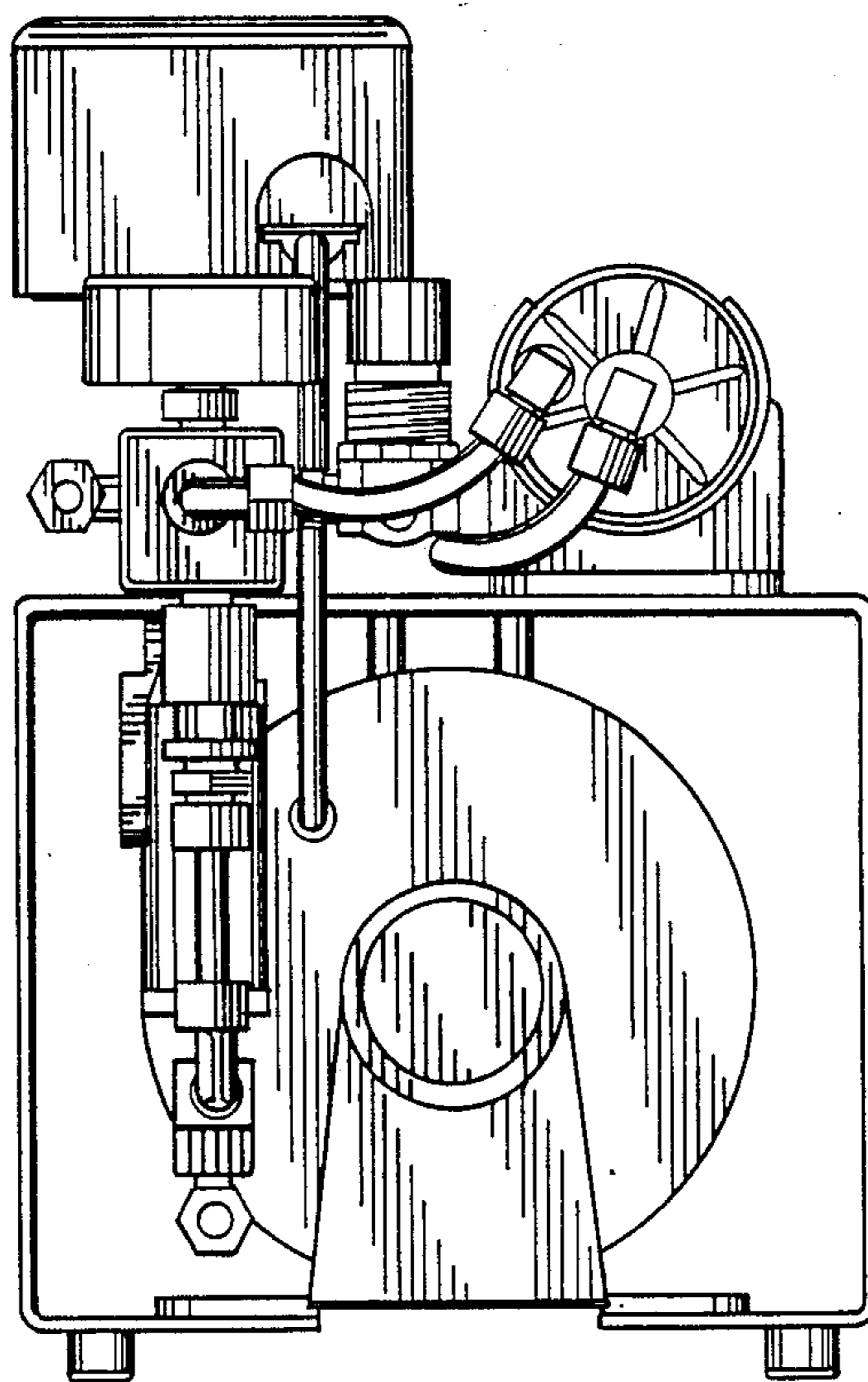


FIG. 6