

[54] SNAP-ON LEVEL FOR GOLF PUTTERS

[76] Inventor: Joseph M. Franey, 7432 Landau Curve, Bloomington, Minn. 55438

[**] Term: 14 Years

[21] Appl. No.: 67,090

[22] Filed: Jun. 29, 1987

[52] U.S. Cl. D21/234

[58] Field of Search 273/183 D, 186 C, 192, 273/162 B, 194 R; D21/234; 33/370, 373, 379; D10/69

[56] References Cited

U.S. PATENT DOCUMENTS

2,273,416	2/1942	Norwood	D21/222
4,079,520	3/1978	Davis	273/162 B
4,575,090	3/1986	Heseltine	273/162 B

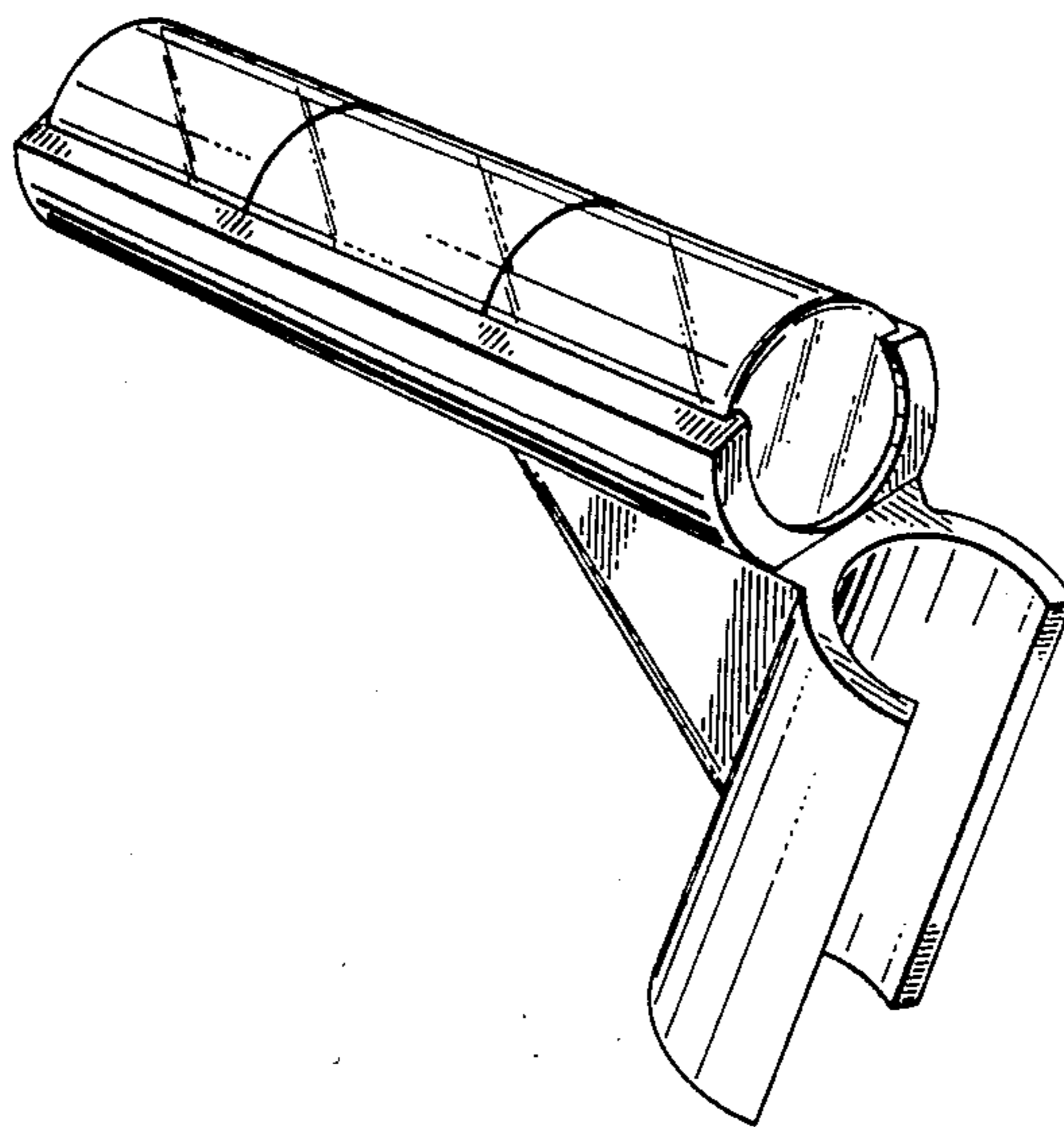
Primary Examiner—Bernard Ansher
Assistant Examiner—David Jeo
Attorney, Agent, or Firm—Peterson, Wicks, Nemer & Kamrath

[57] CLAIM

The ornamental design for a snap-on level for golf putters, as shown and described.

DESCRIPTION

FIG. 1 is a left rear perspective view of a snap-on level for golf putters showing my new design. FIG. 2 is a right side elevation thereof, with the left side elevation thereof being a mirror image thereof; FIG. 3 is a front elevation thereof; FIG. 4 is a top plan thereof; FIG. 5 is a rear elevation thereof; and FIG. 6 is a bottom plan thereof.



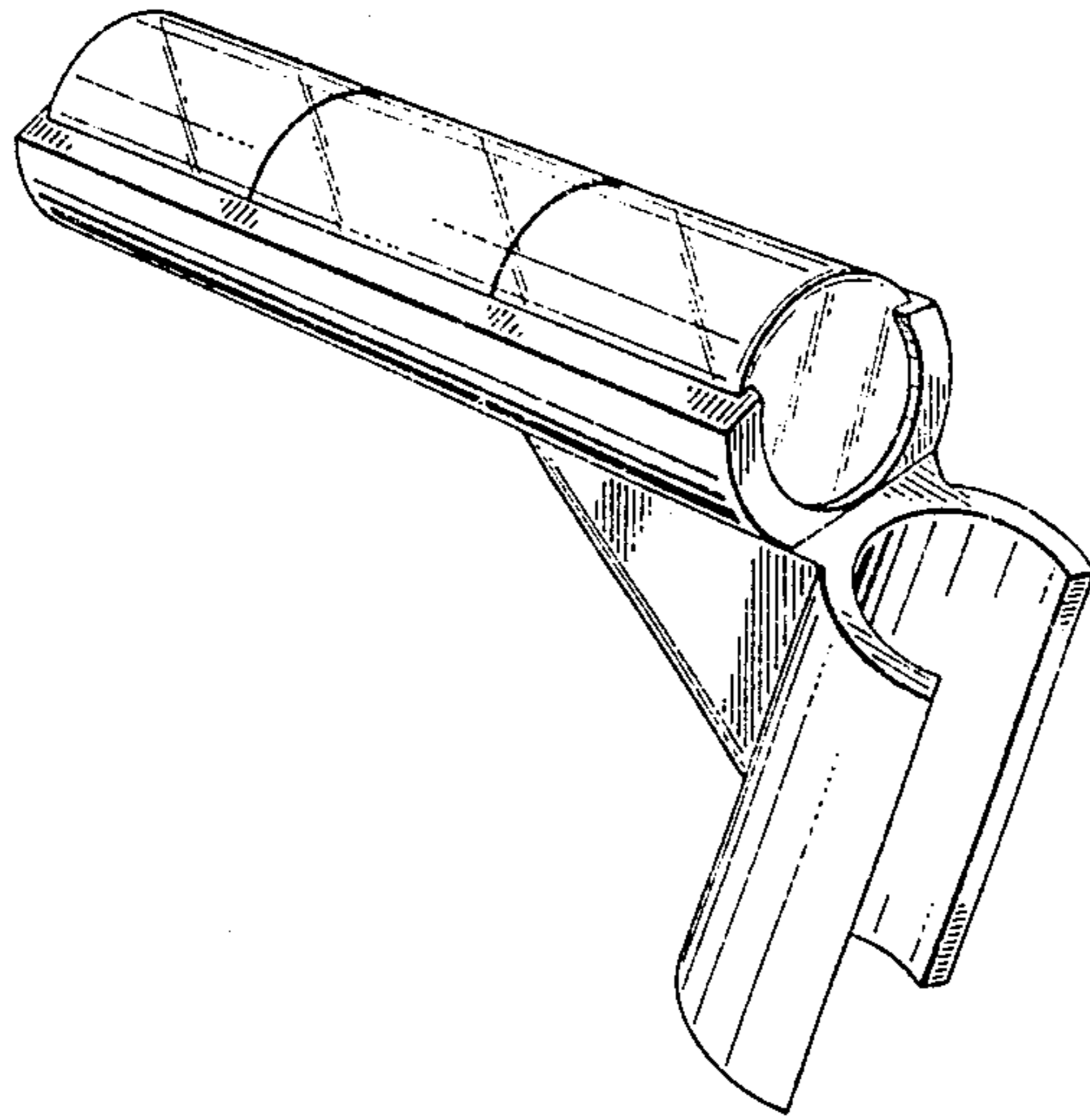


Fig 1

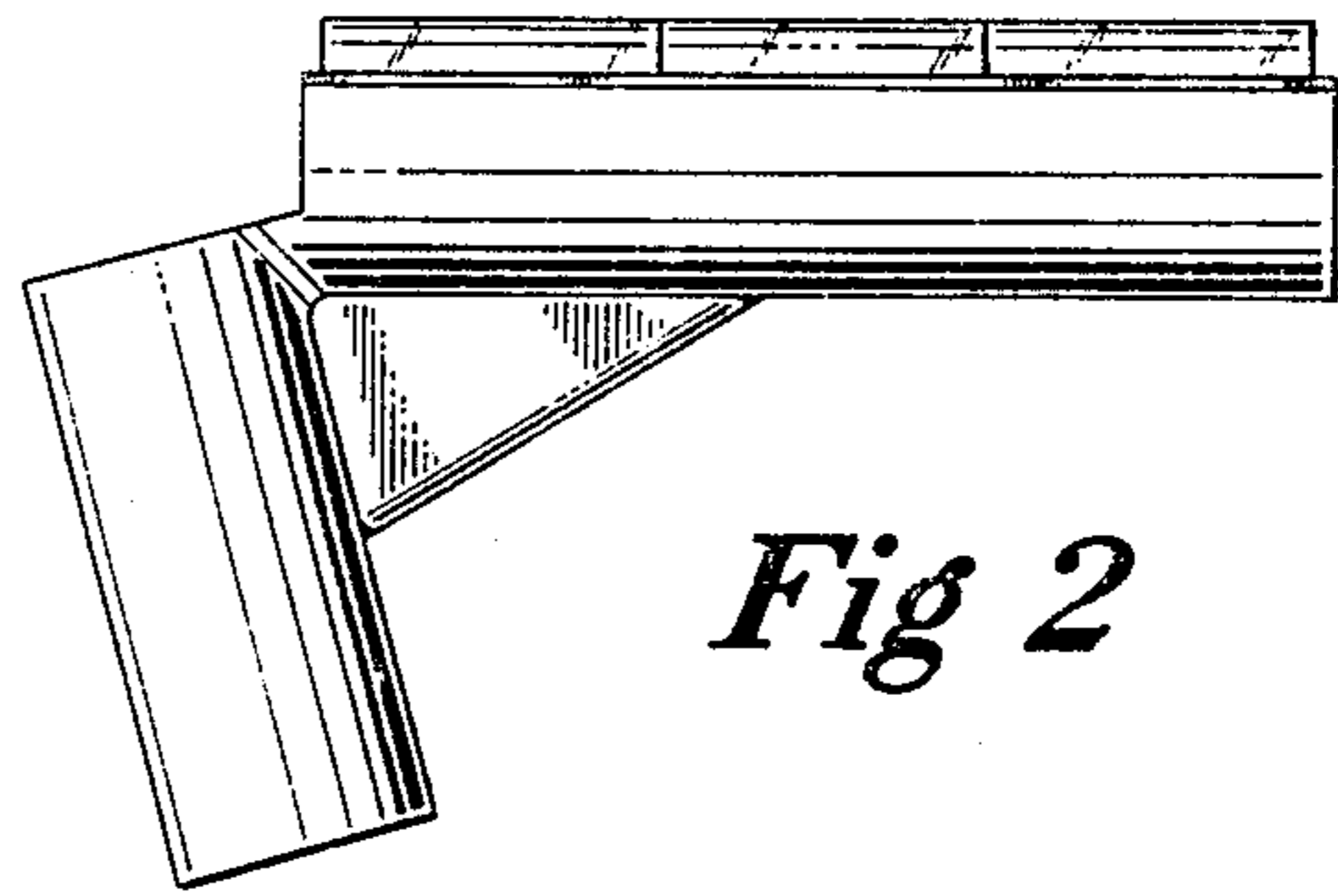


Fig 2

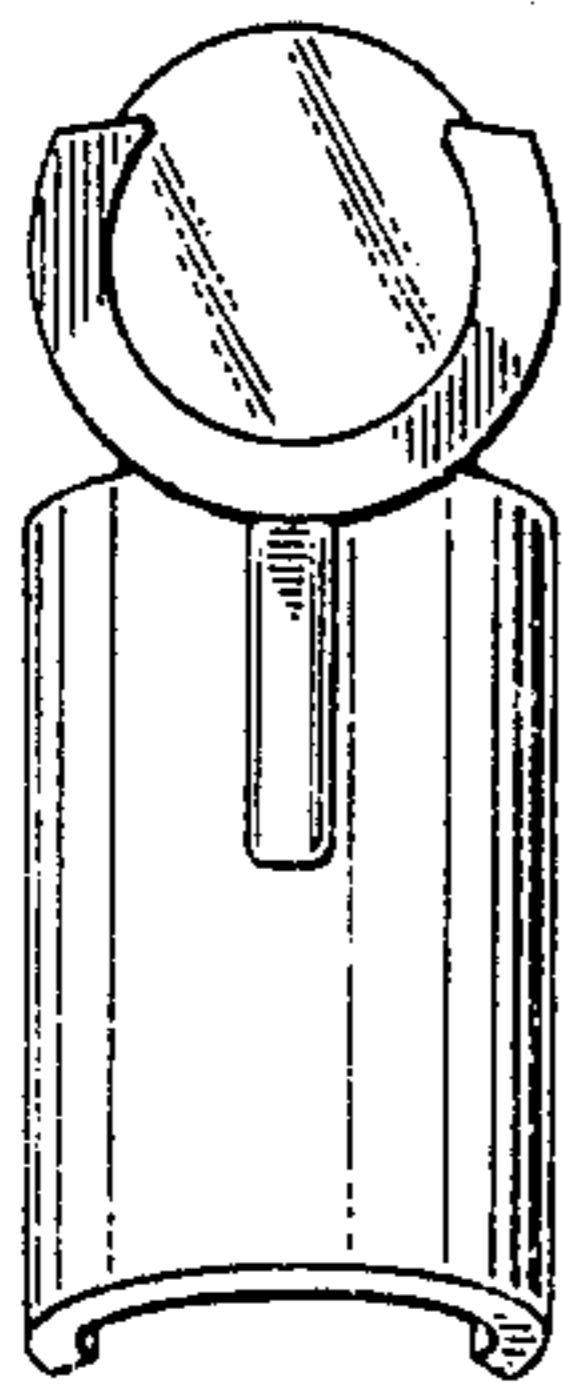


Fig 3

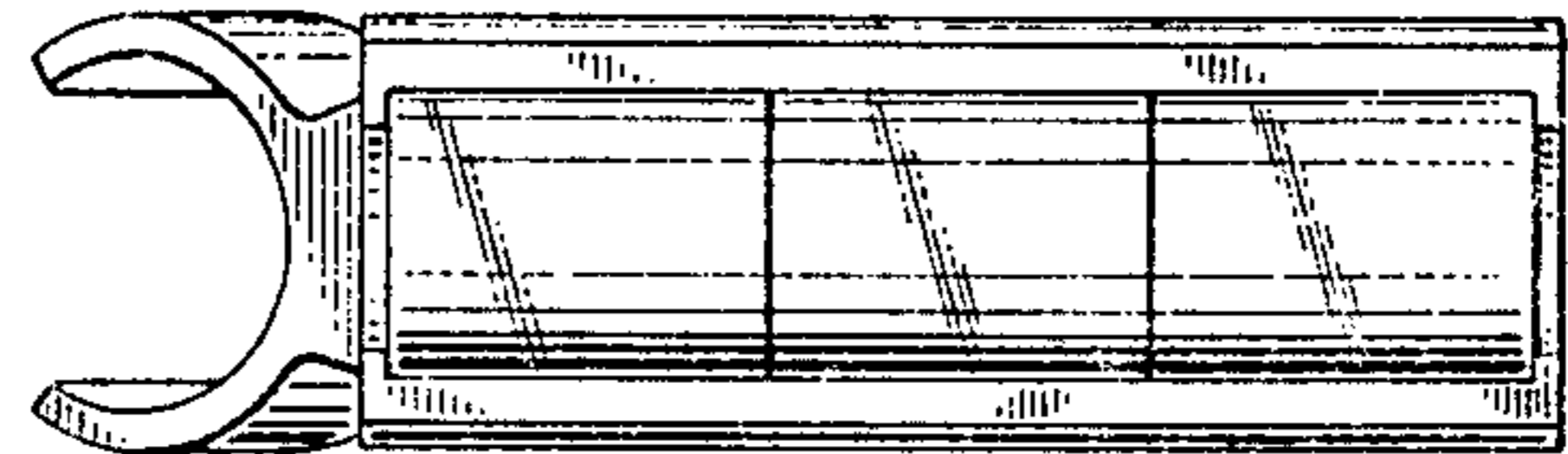


Fig 4

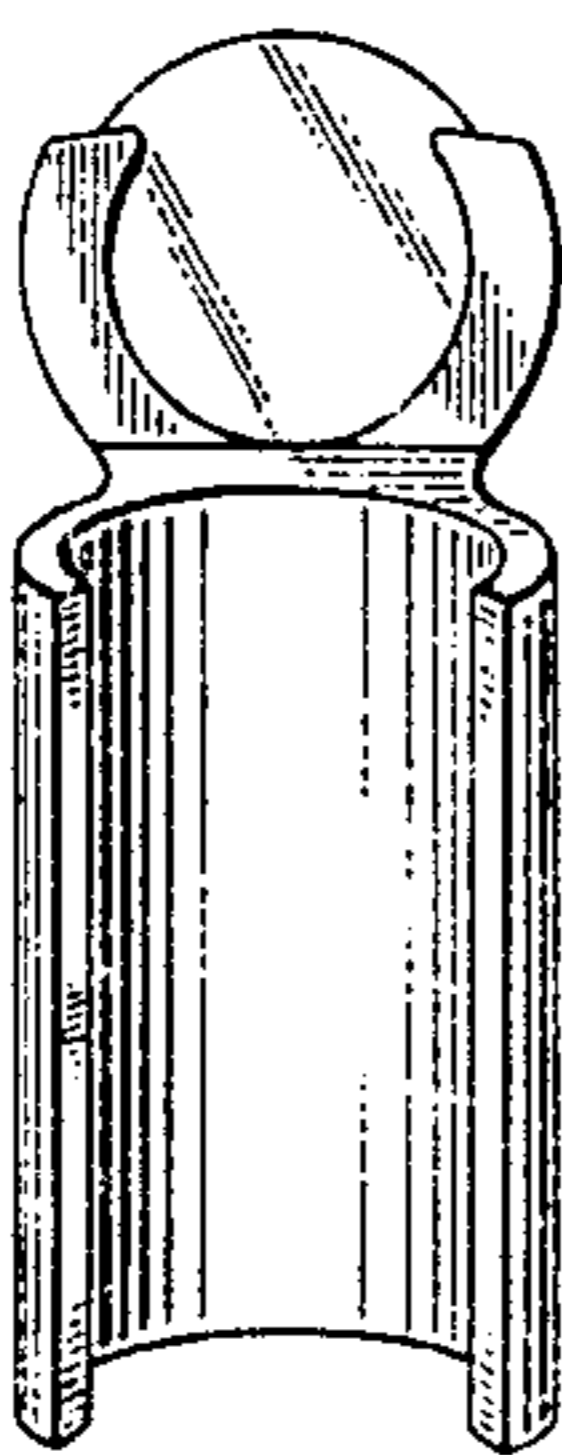


Fig 5

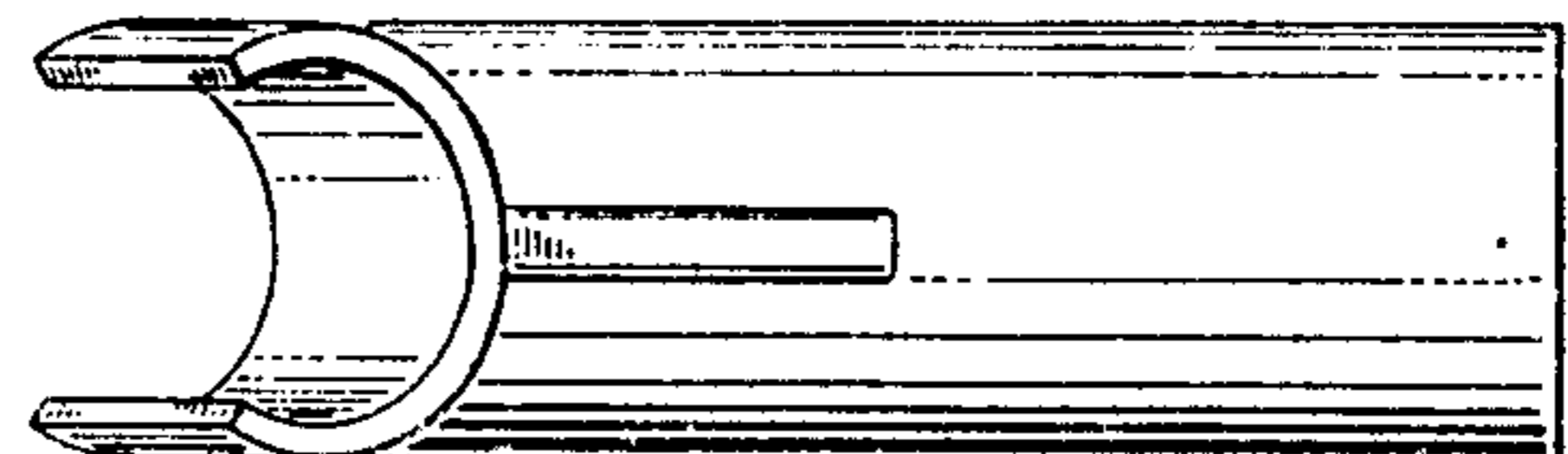


Fig 6