

[54] **BICYCLE EXERCISER**  
[76] **Inventor: Vernon A. Miller, 41069 Sunset La., Hemet, Calif. 92344**  
[\*\*] **Term: 14 Years**  
[21] **Appl. No.: 160,110**  
[22] **Filed: Feb. 25, 1988**  
[52] **U.S. Cl. .... D21/194**  
[58] **Field of Search ..... D21/191-199;  
272/73, 70.3, 132; 73/379**

D. 289,782 5/1987 Szymiski et al. .... D21/194  
1,744,607 1/1930 Baine ..... D21/194  
2,964,973 12/1960 Bergfors ..... D21/194

*Primary Examiner*—Charles A. Rademaker  
*Attorney, Agent, or Firm*—Jerry T. Kearns

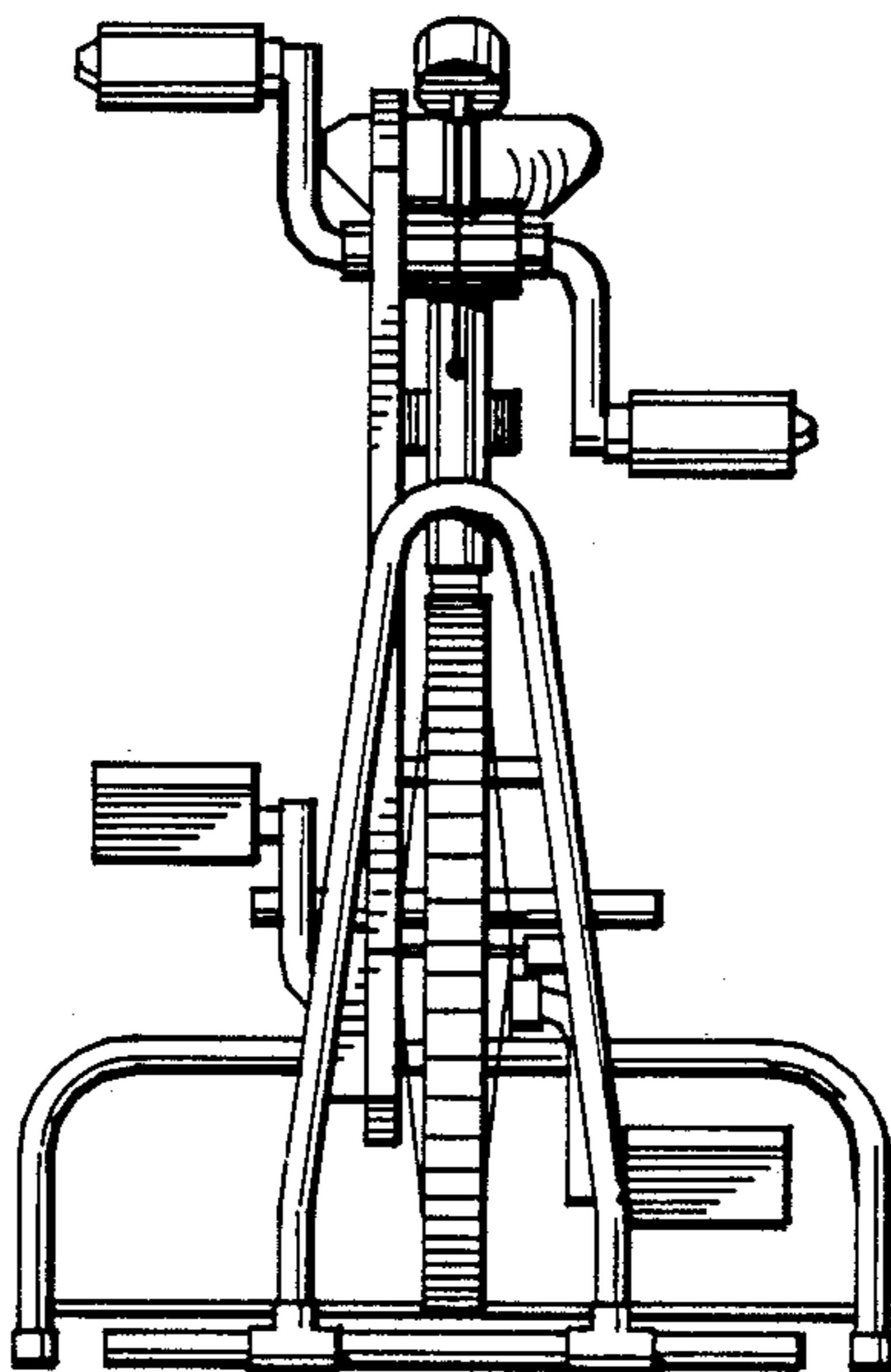
[57] **CLAIM**

The ornamental design for a bicycle exerciser, as shown and described.

**DESCRIPTION**

FIG. 1 is a front elevational view of a bicycle exerciser showing my new design;  
FIG. 2 is a rear elevational view thereof;  
FIG. 3 is a left side elevational view thereof;  
FIG. 4 is a right side elevational view thereof;  
FIG. 5 is a top plan view thereof; and,  
FIG. 6 is a bottom plan view thereof.

[56] **References Cited**  
**U.S. PATENT DOCUMENTS**  
D. 192,433 3/1962 Harwood ..... D21/194  
D. 275,589 9/1984 Gustafsson ..... D21/194  
D. 285,953 9/1986 Gustafsson ..... D21/194



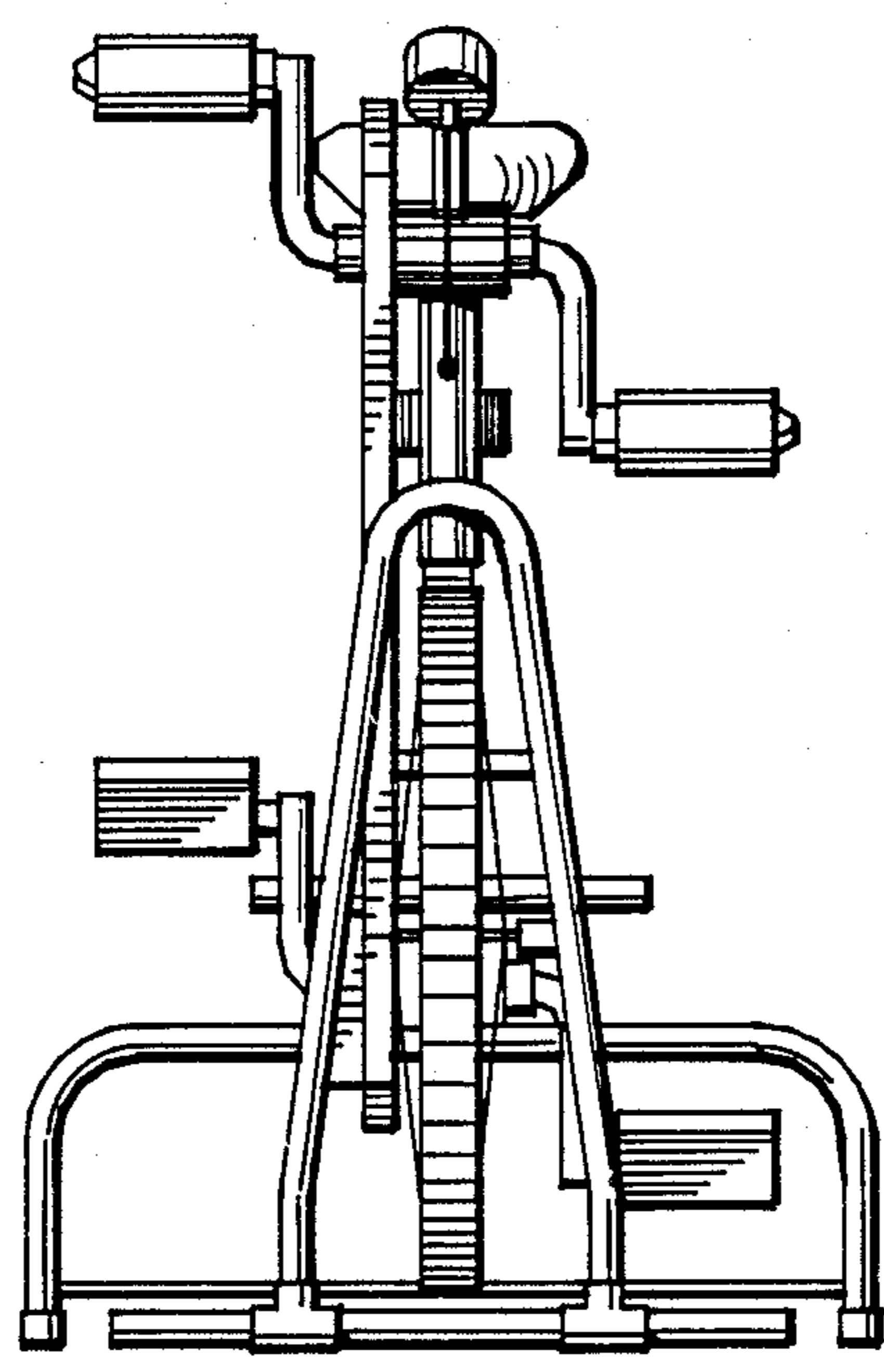


Fig. 1

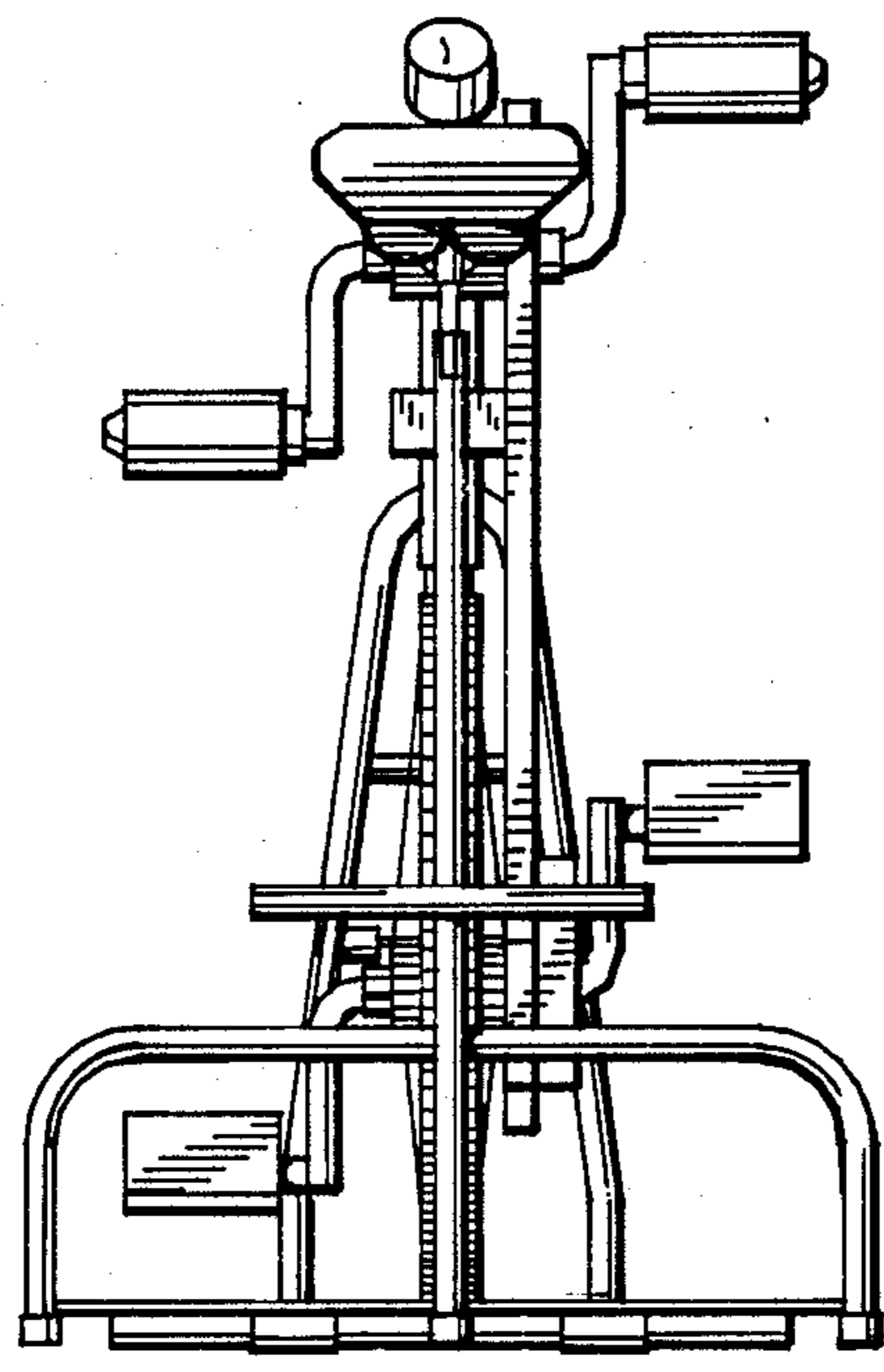


Fig. 2

Fig. 3

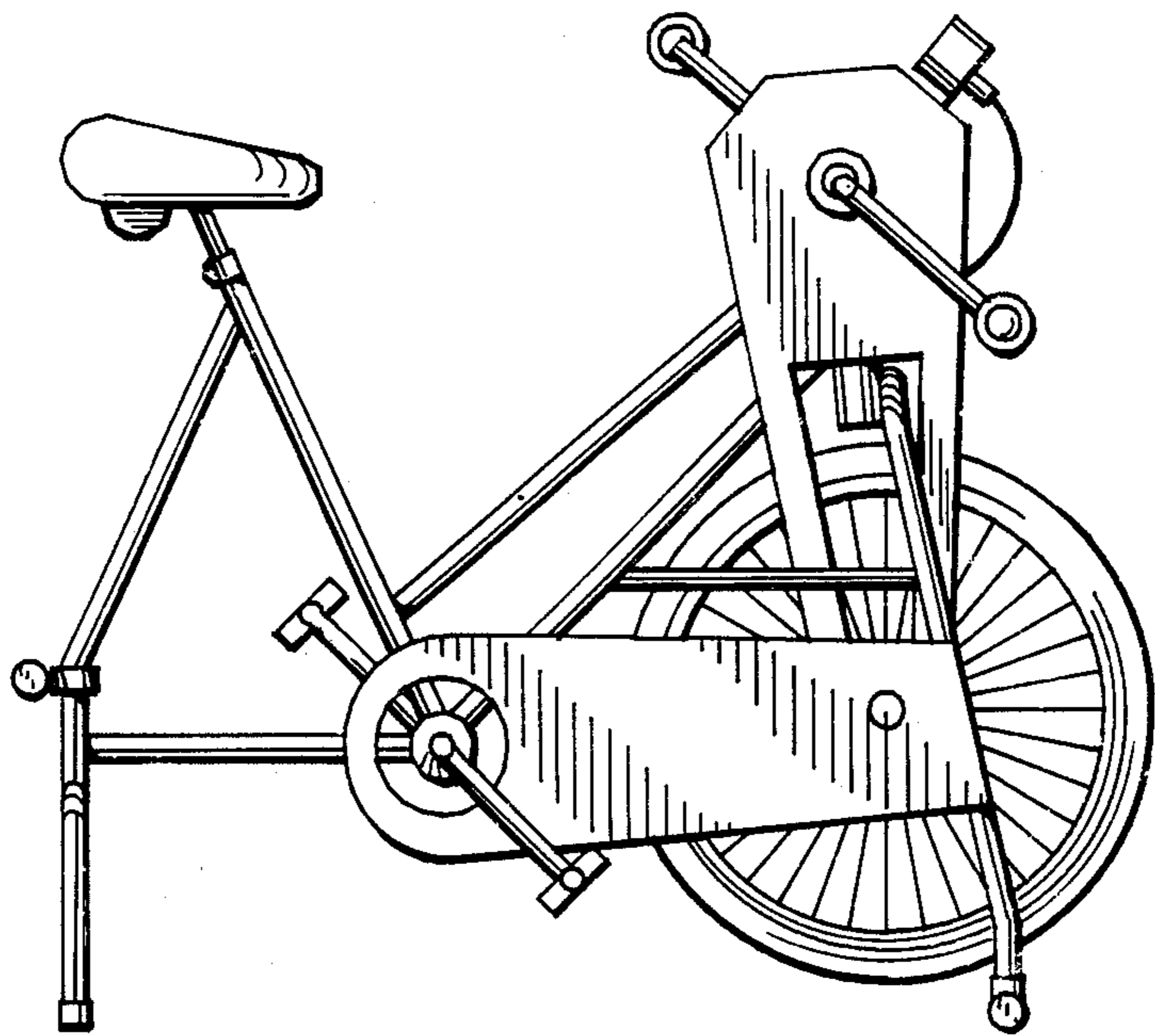
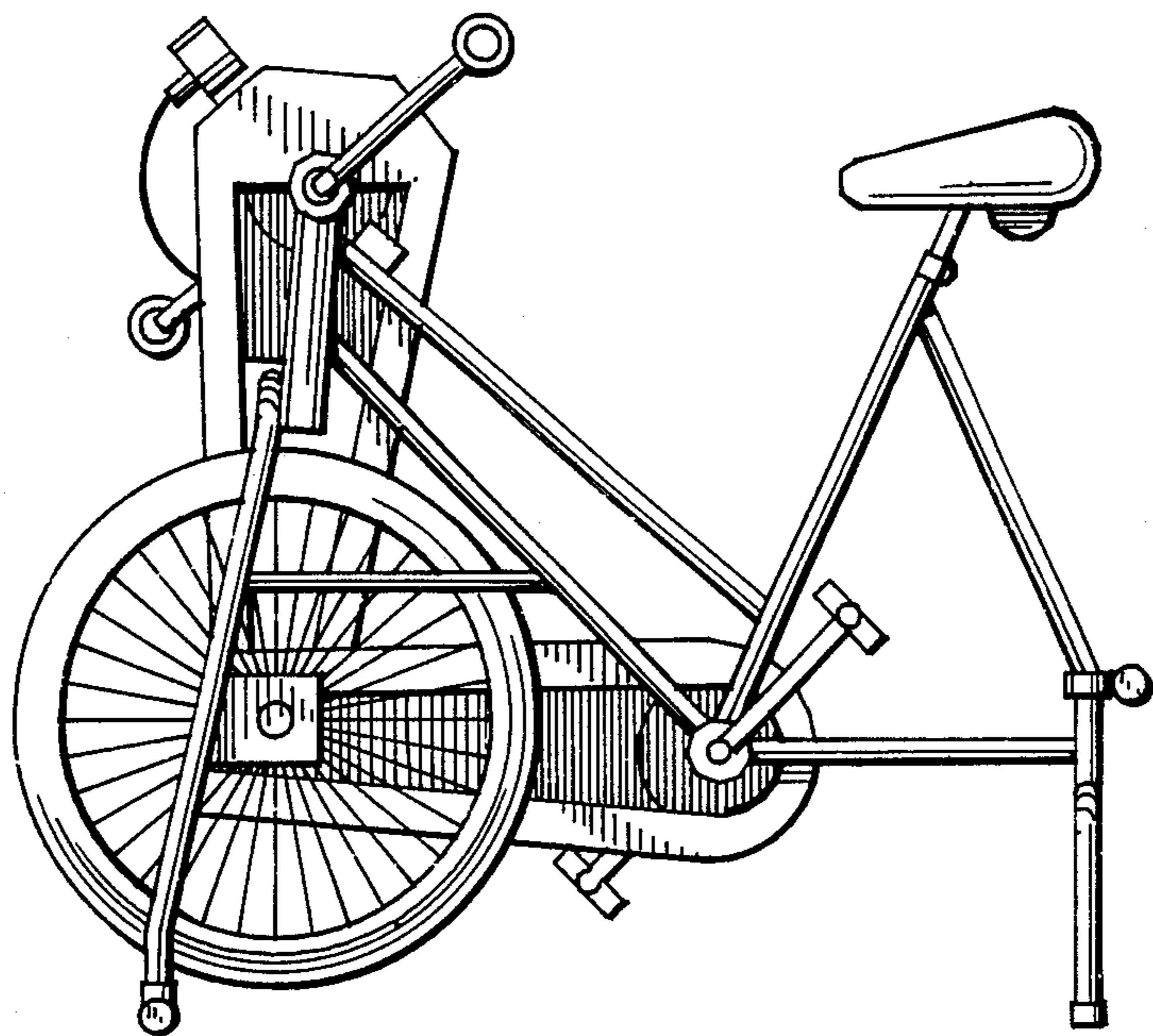


Fig. 4



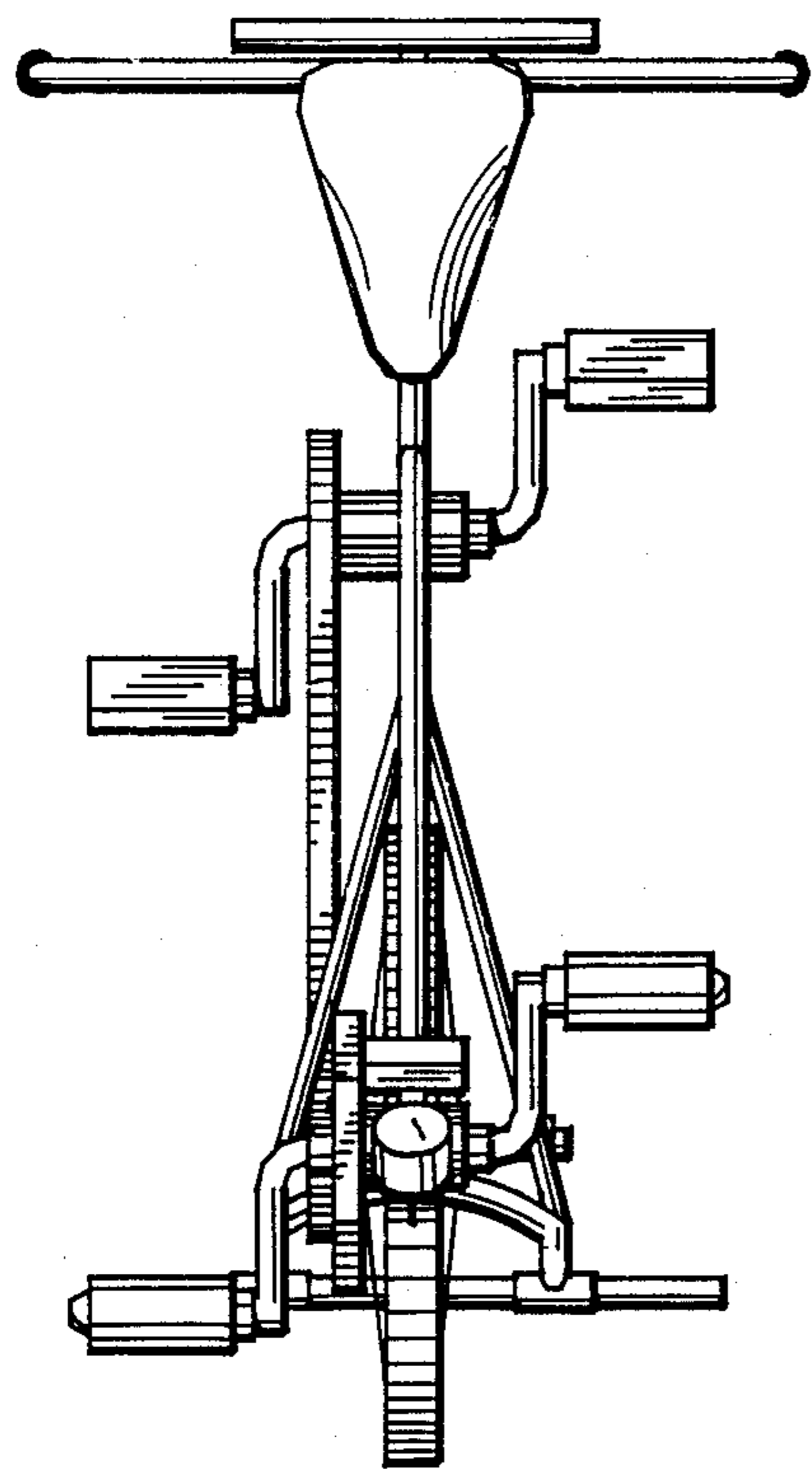


Fig. 5

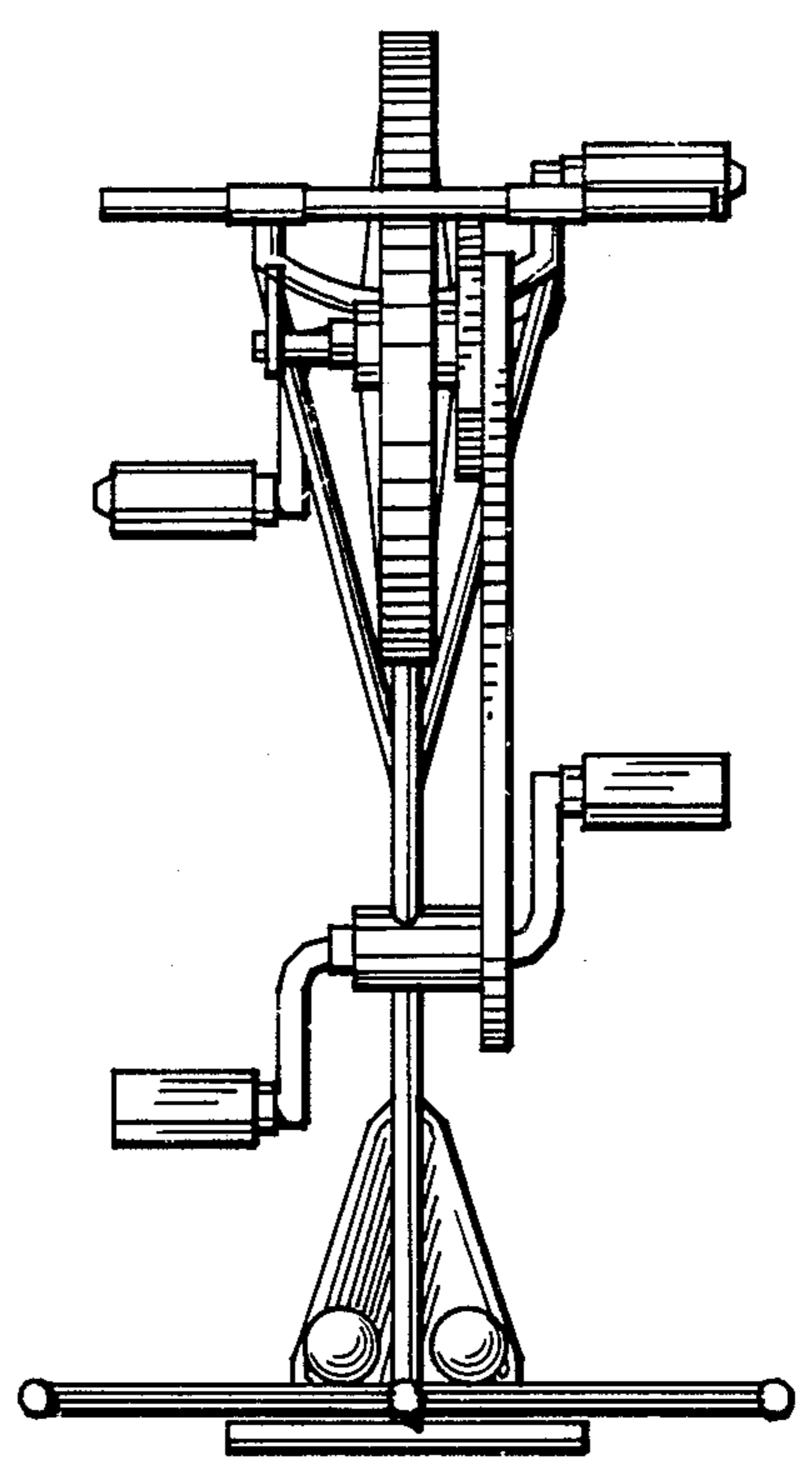


Fig. 6