

[54] AQUATIC EXERCISE BOOT

[76] Inventor: Daniel S. Solloway, 11121 Ashford Dr., Yukon, Okla. 73099

[\*\*] Term: 14 Years

[21] Appl. No.: 78,699

[22] Filed: Jul. 28, 1987

[52] U.S. Cl. .... D21/191; D21/239

[58] Field of Search ..... D21/196, 197, 191, 238, D21/239; 272/122, 119, 196, 116; D2/279, 70, 71

[56] References Cited

U.S. PATENT DOCUMENTS

D. 151,229	10/1948	Eddy	.....	D21/239
D. 203,364	12/1965	Brunner	.....	D21/239
D. 264,736	1/1982	Wolf	.....	D21/196
D. 274,078	5/1984	Bland	.....	D21/238
2,214,052	9/1940	Good	.....	272/122

Primary Examiner—Charles A. Rademaker  
Attorney, Agent, or Firm—Thomas W. Tolpin

[57] CLAIM

The ornamental design for an aquatic exercise boot, as shown and described.

DESCRIPTION

FIG. 1 is a perspective view of an aquatic exercise boot showing my new design;

FIG. 2 is a left side elevational view thereof;

FIG. 3 is a perspective view in an open position;

FIG. 4 is a front elevational view thereof;

FIG. 5 is a rear elevational view thereof;

FIG. 6 is a top plan view thereof;

FIG. 7 is a bottom plan view thereof; and

FIG. 8 is a right side elevational view thereof.

The broken line showing of a human leg in FIGS. 2 and 8 is for illustrative purposes only and forms no part of the claimed design.

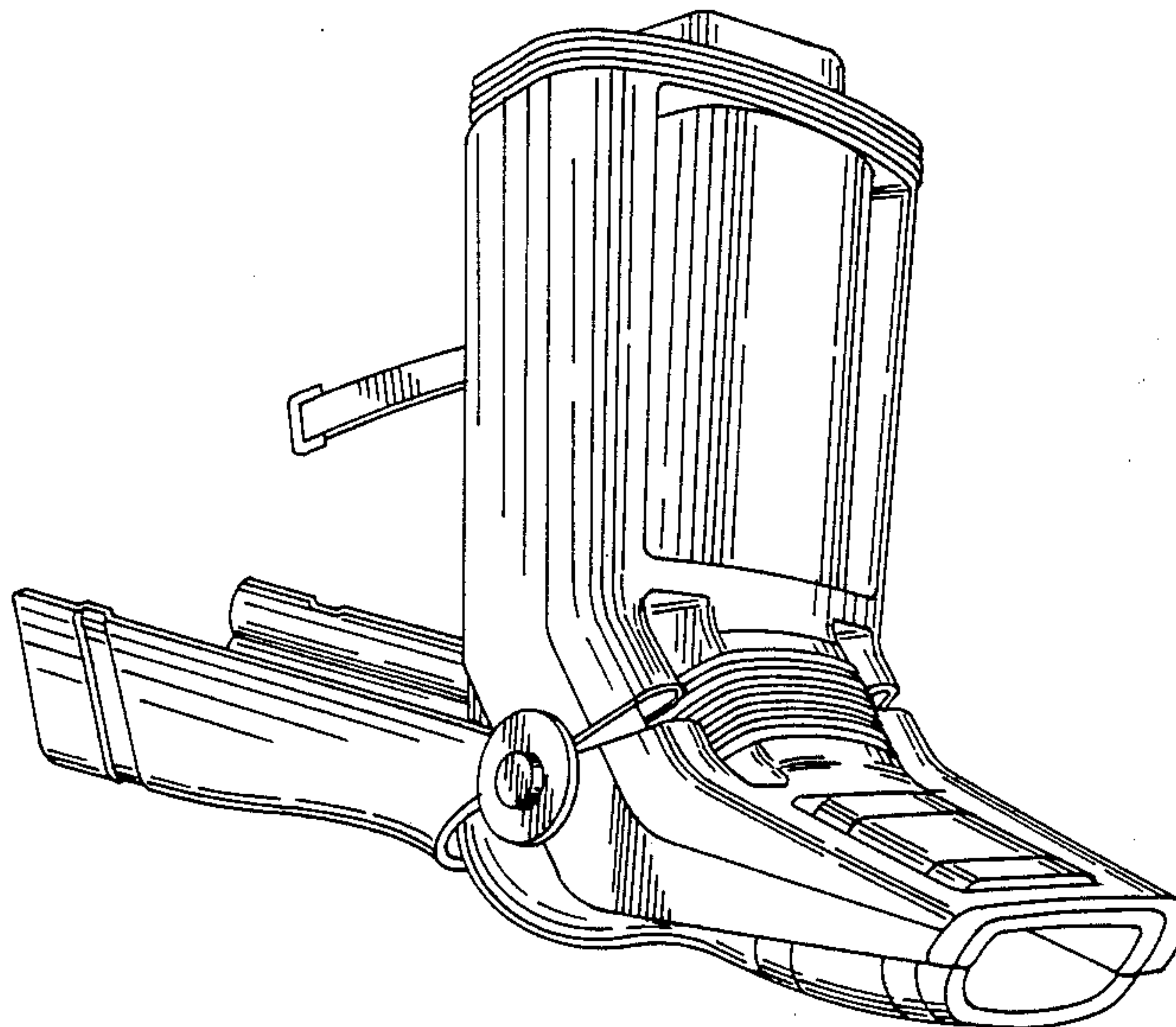


FIG. 1.

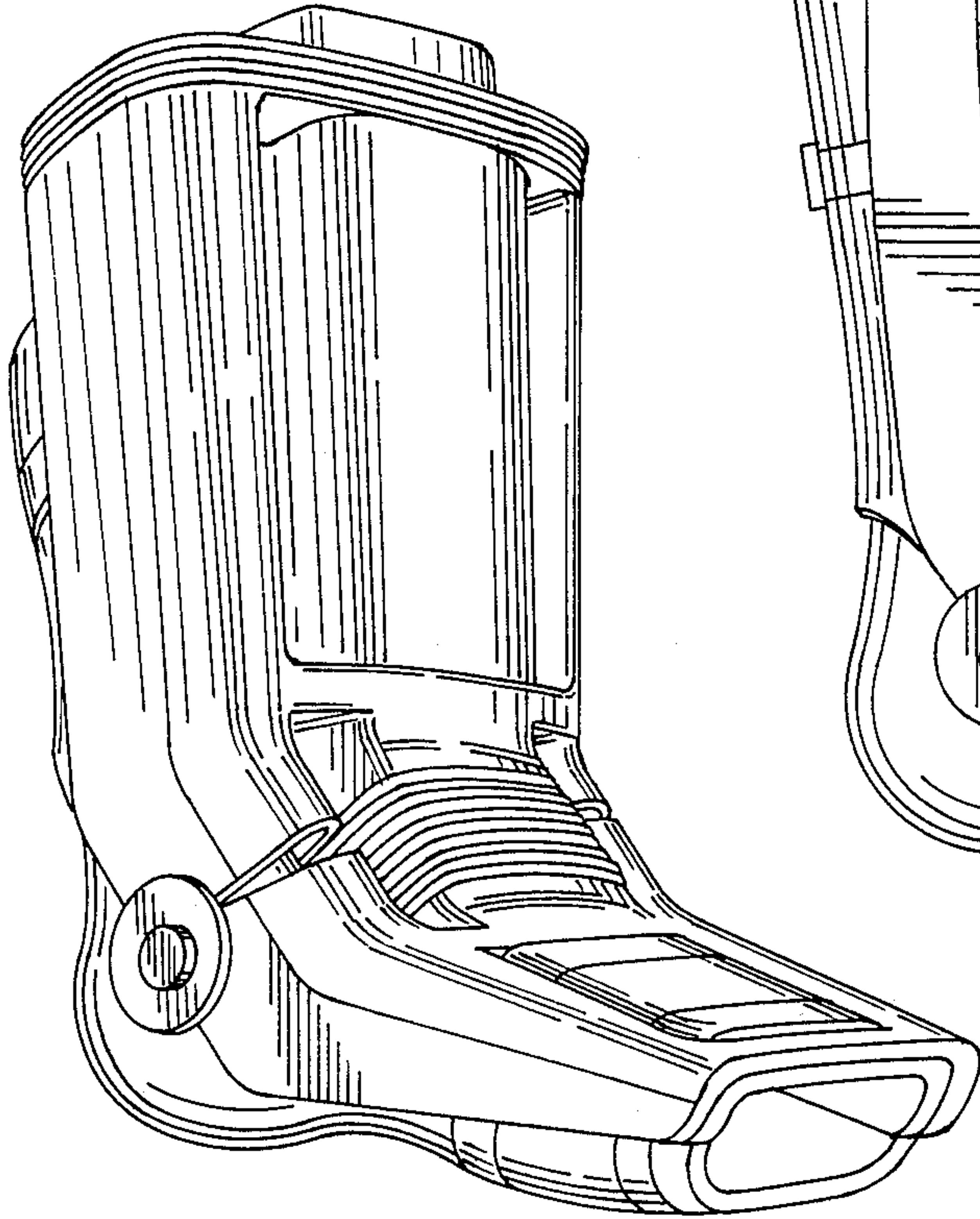


FIG. 2.

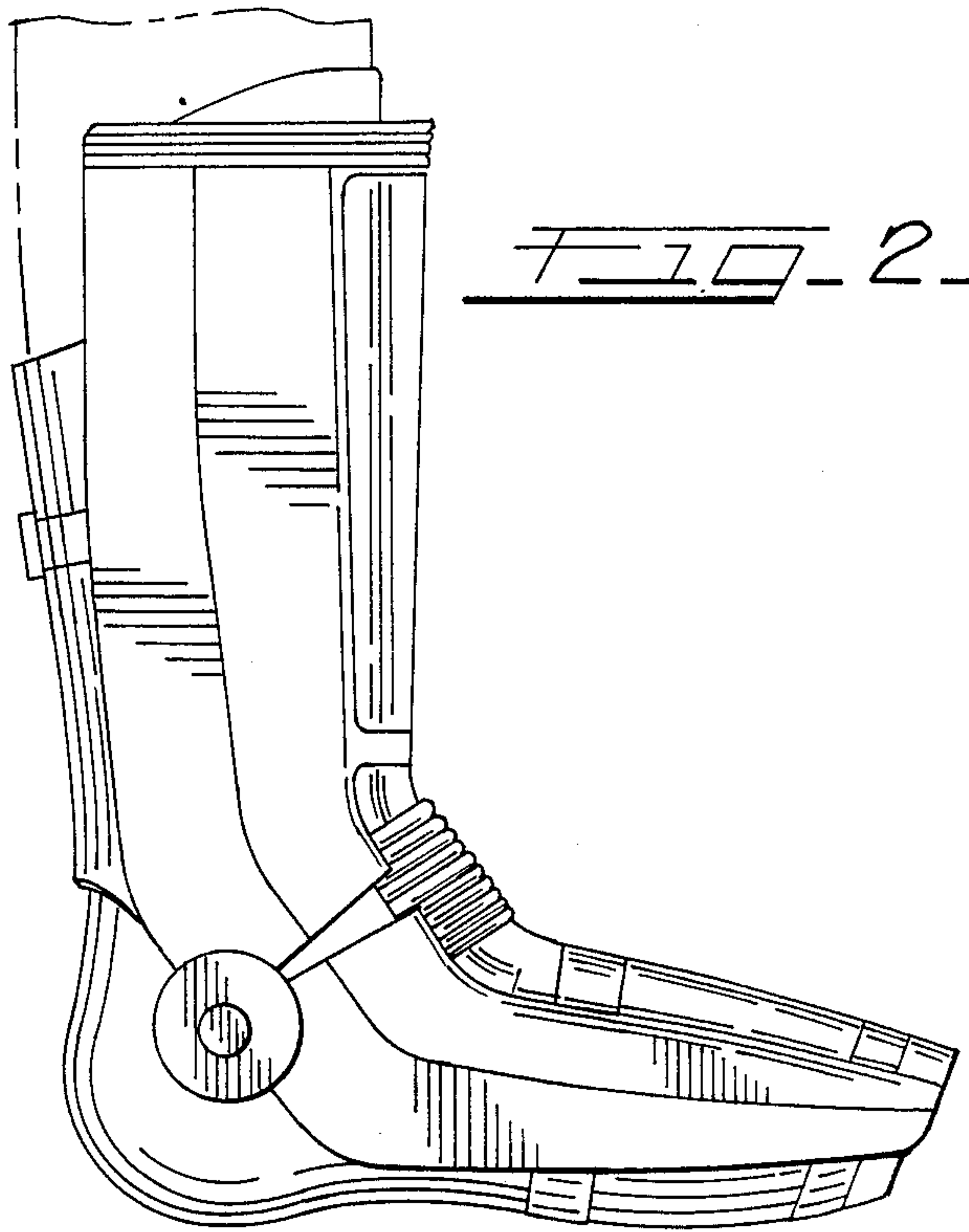
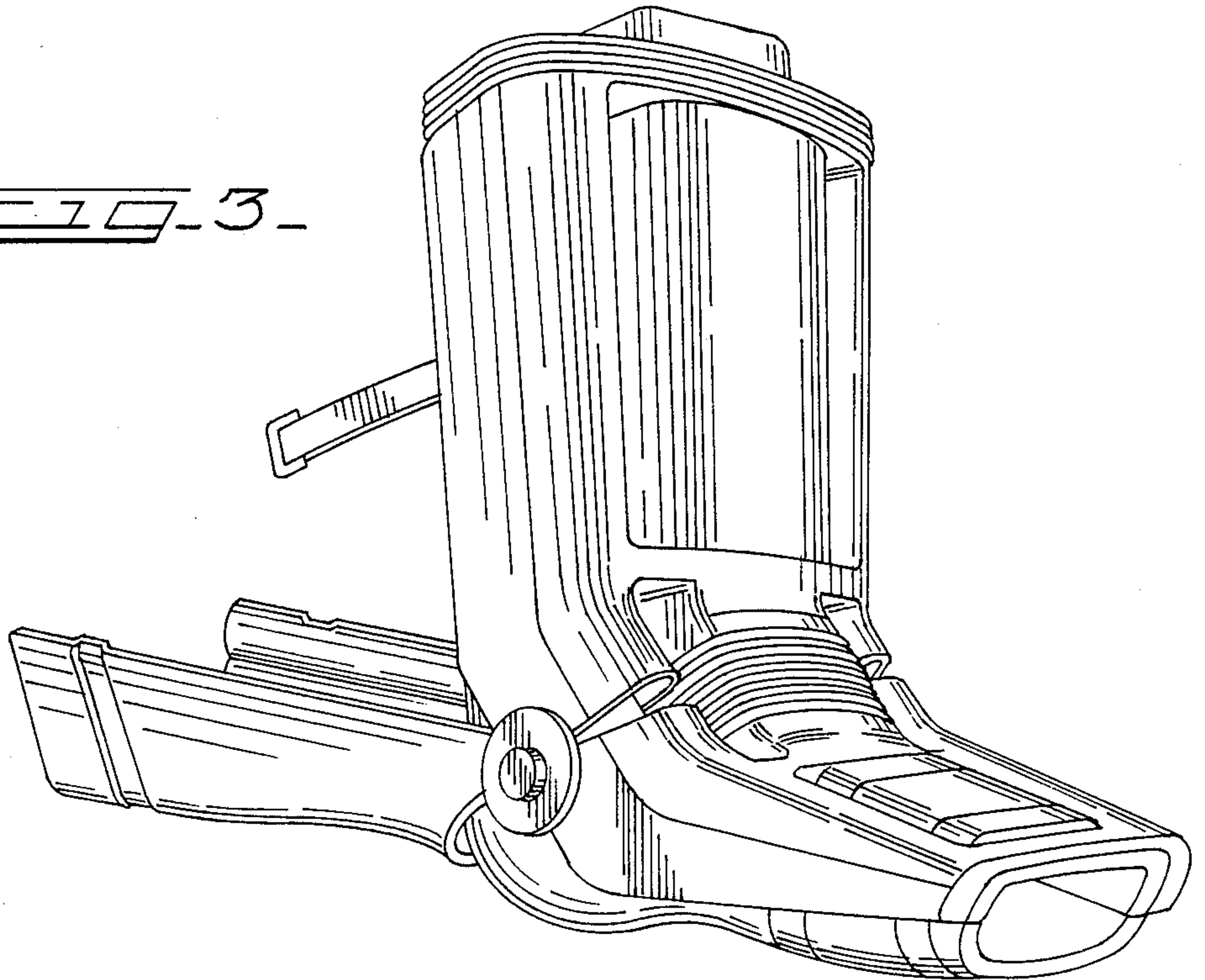


FIG. 3.



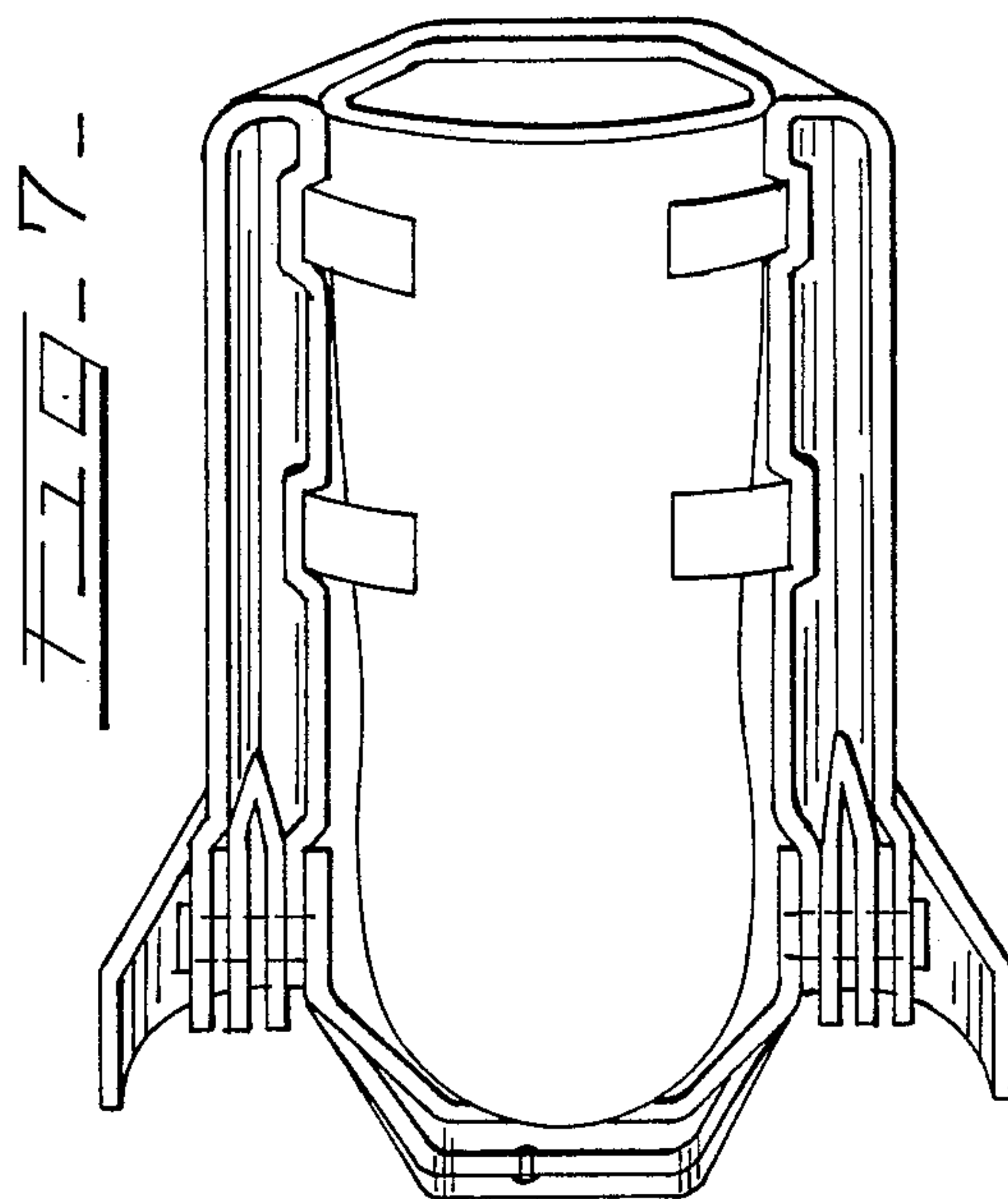
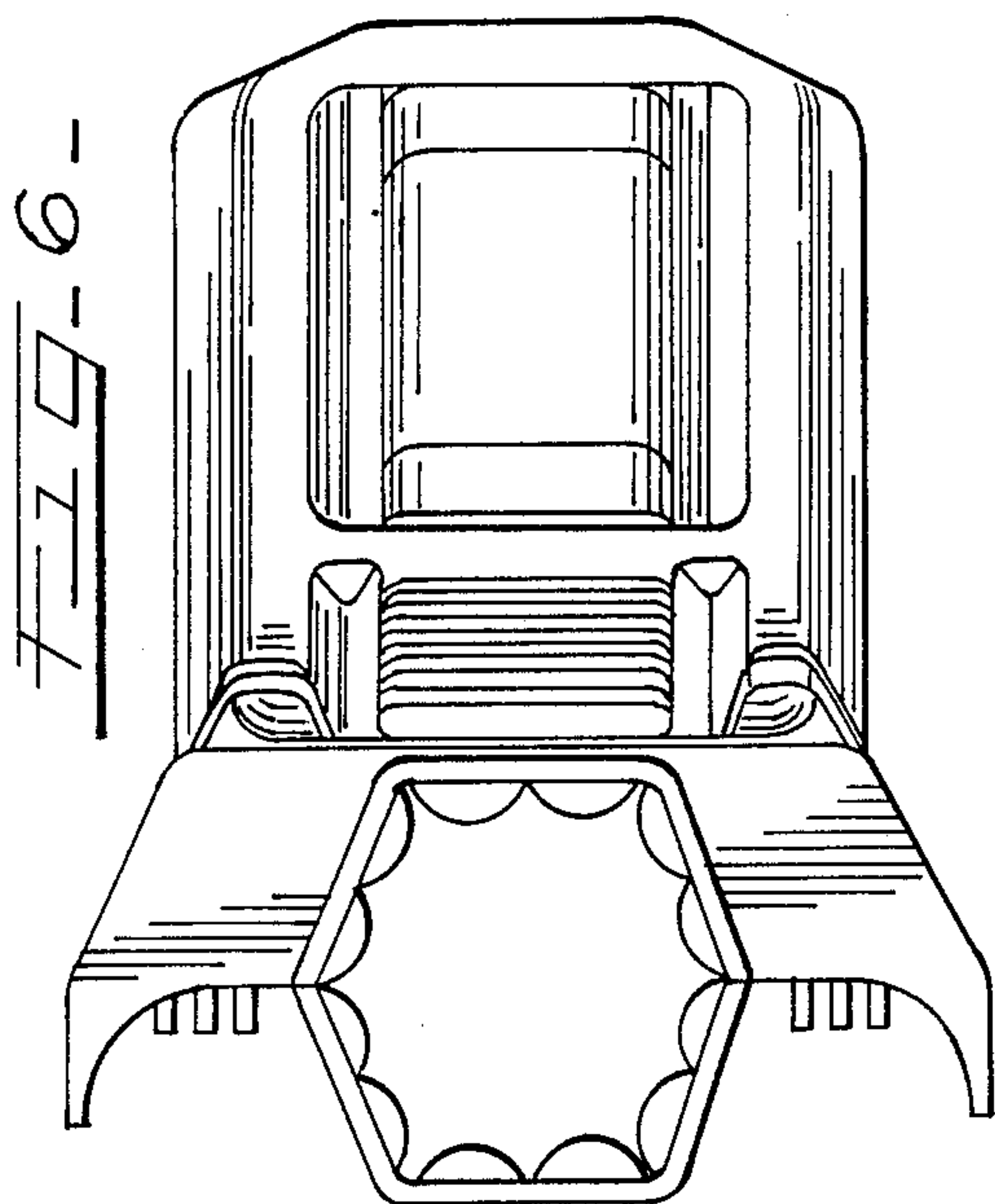


FIG. 5 -

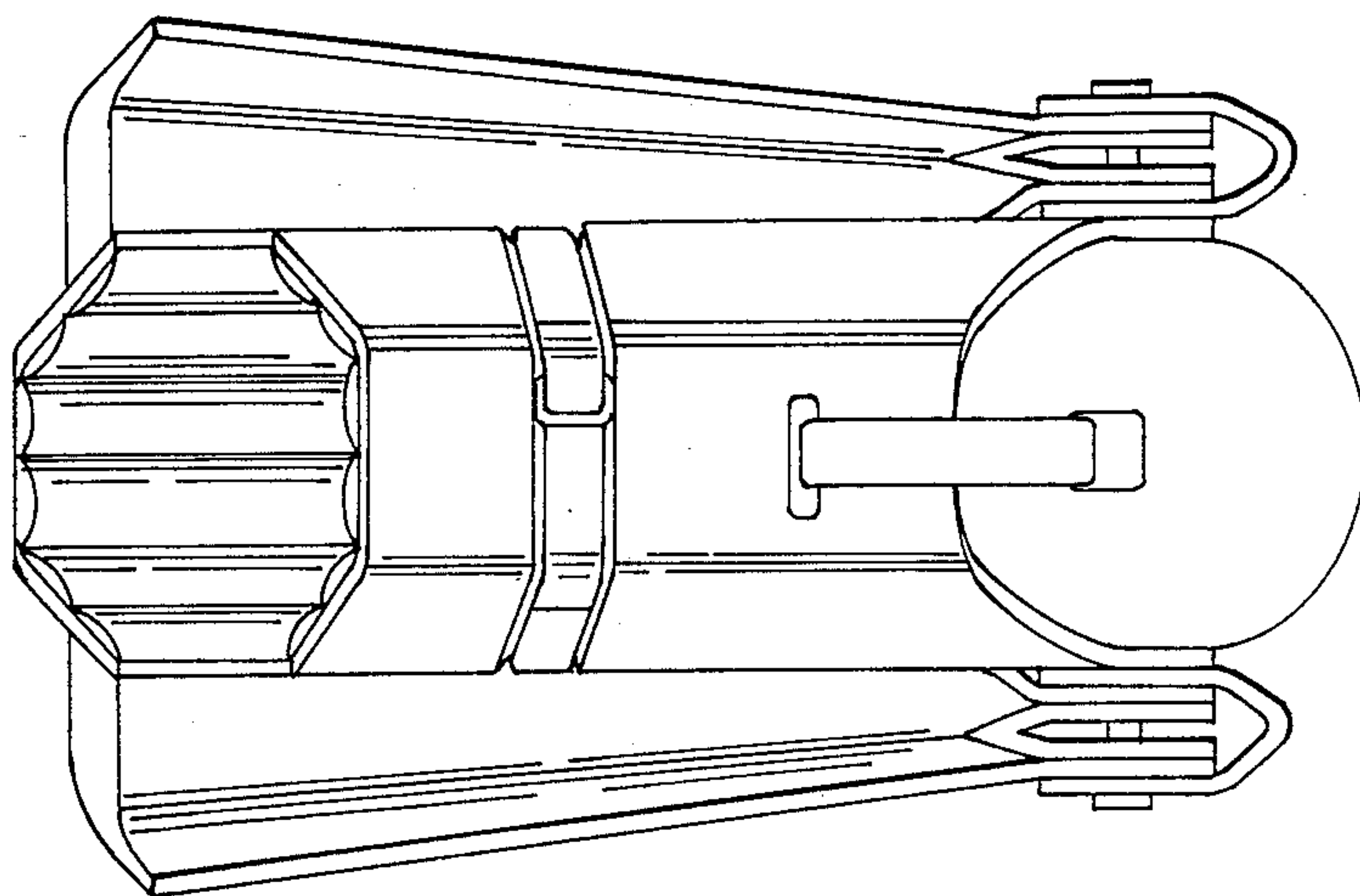


FIG. 4 -

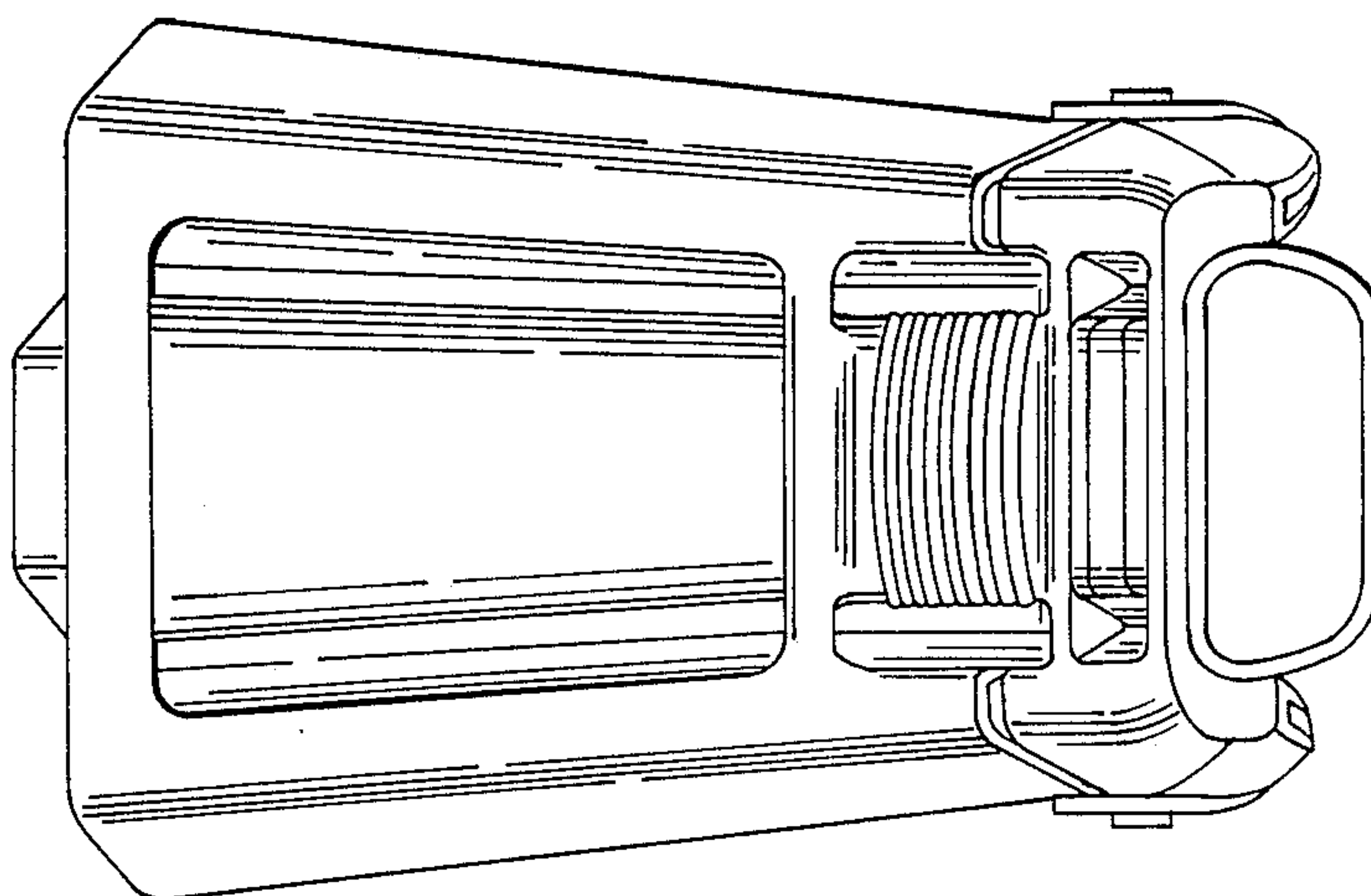




FIG. 8

