

[54] TOY CAROUSEL

[75] Inventor: Tony R. Maness, Booneville, Ark.

[73] Assignee: Spang & Company, Butler, Pa.

[\*\*] Term: 14 Years

[21] Appl. No.: 135,291

[22] Filed: Dec. 21, 1987

[52] U.S. Cl. .... D21/124; D21/249

[58] Field of Search ..... D21/240-252;  
272/1 R, 31 R, 31 P, 34-35, 39-48; 446/479,  
491

[56] References Cited

U.S. PATENT DOCUMENTS

D. 233,899	12/1974	Burkart	.....	D21/59 X
1,935,040	11/1933	Antonsen	.....	D21/249
2,532,571	12/1950	Reeves	.....	272/31 R
4,538,803	9/1985	Goldfarb	.....	272/31 R

OTHER PUBLICATIONS

Gym Dandy Home Playground Equipment, No. 399, "Spin-A-Whirl".

Jamison, Inc. cat. 1966; No. 518-422, "Whoopee Whirl".

The Recreation Line (advertising brochure, inside recreation management 3/1972) Tot Merry Go Round.

Miracle Playground Equipment cat. Sampler #500; A Model #300 "Miracle Junior Whirl", B Model 301 Miracle Mustang Whirl.

Sears Wish Book 1985; p. 550, A upper left corner; B p. 547; Item 1 Toy Merry-Go-Round.

Jamison 1966 cat.; #118-412.

Primary Examiner—Charles A. Rademaker

Assistant Examiner—C. Tuttle

Attorney, Agent, or Firm—Raymond N. Baker

[57] CLAIM

The ornamental design for a toy carousel, as shown and described.

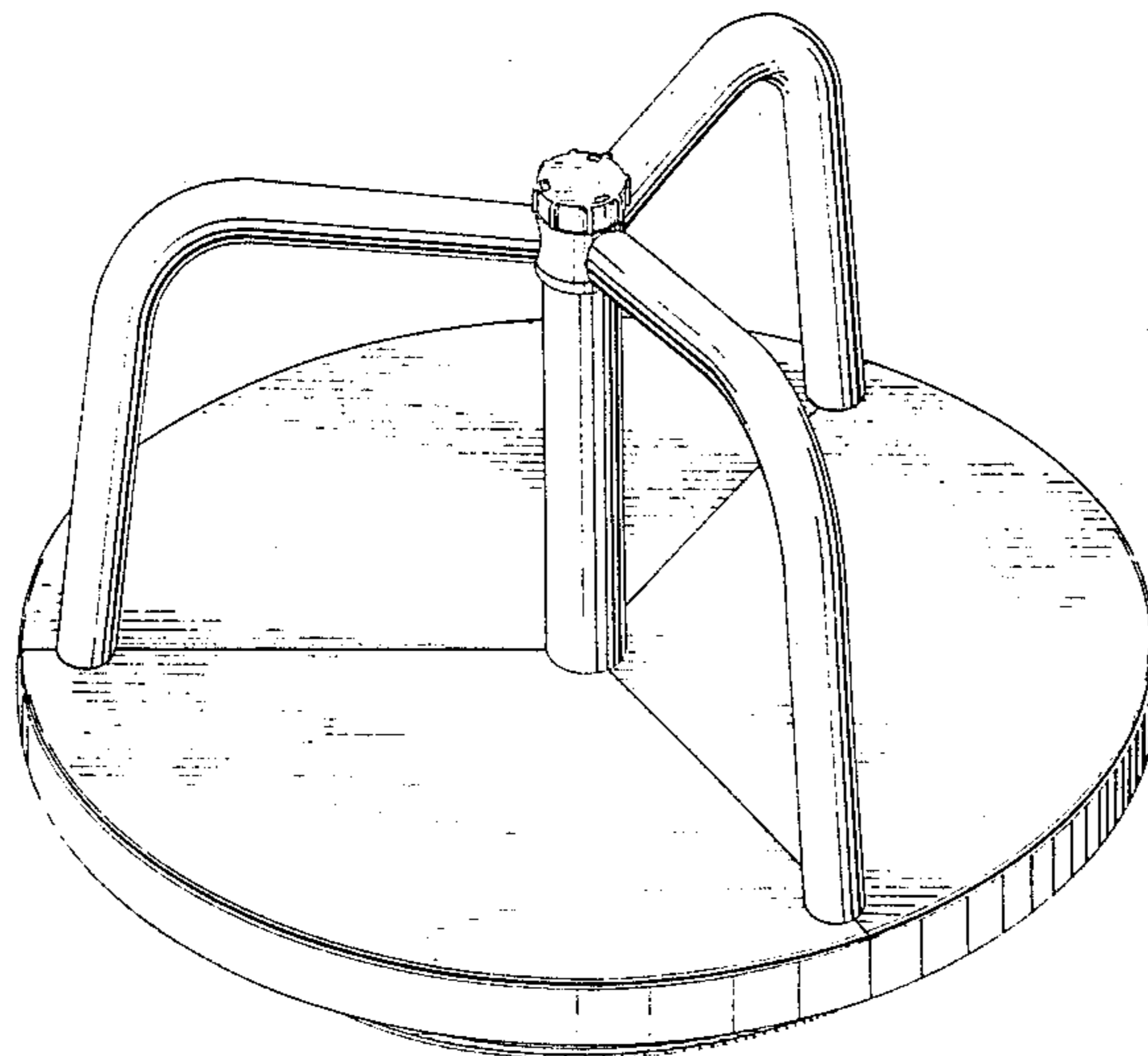
DESCRIPTION

FIG. 1 is a perspective view of a toy carousel showing my new design;

FIG. 2 is a top plan view thereof;

FIG. 3 is a front elevational view thereof; and

FIG. 4 is a bottom plan view thereof.



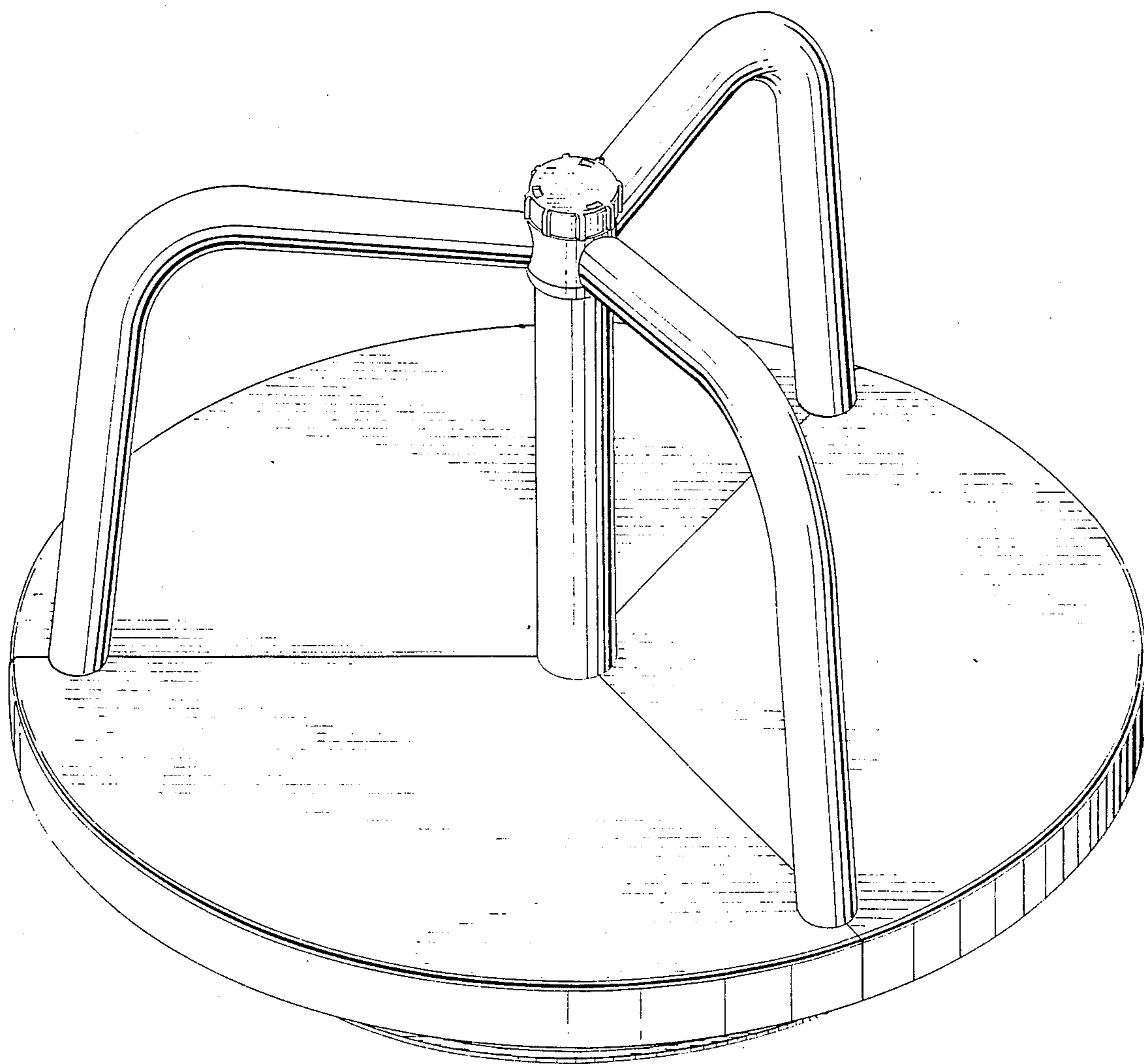


FIG. 1

FIG. 2

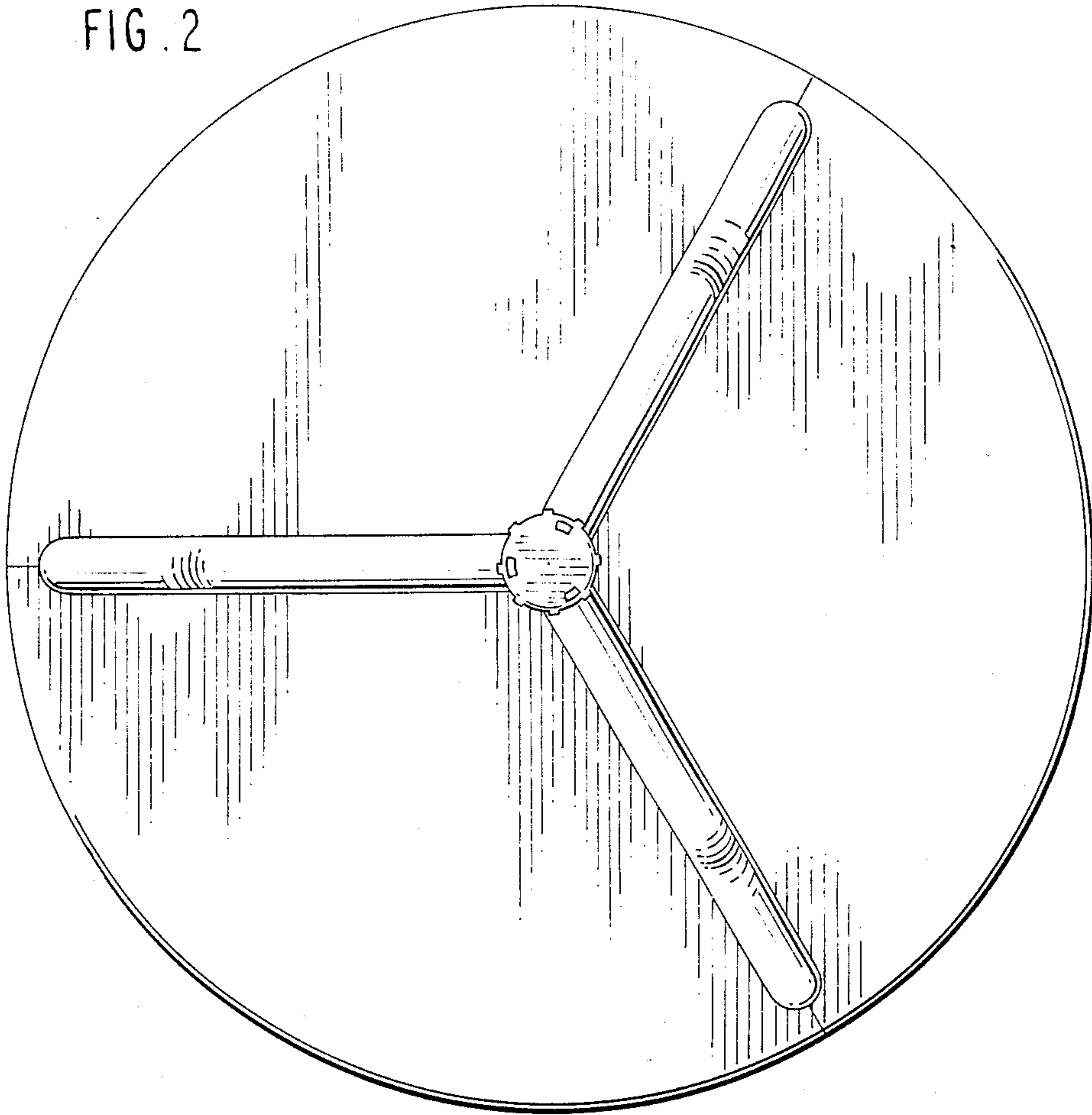


FIG. 3

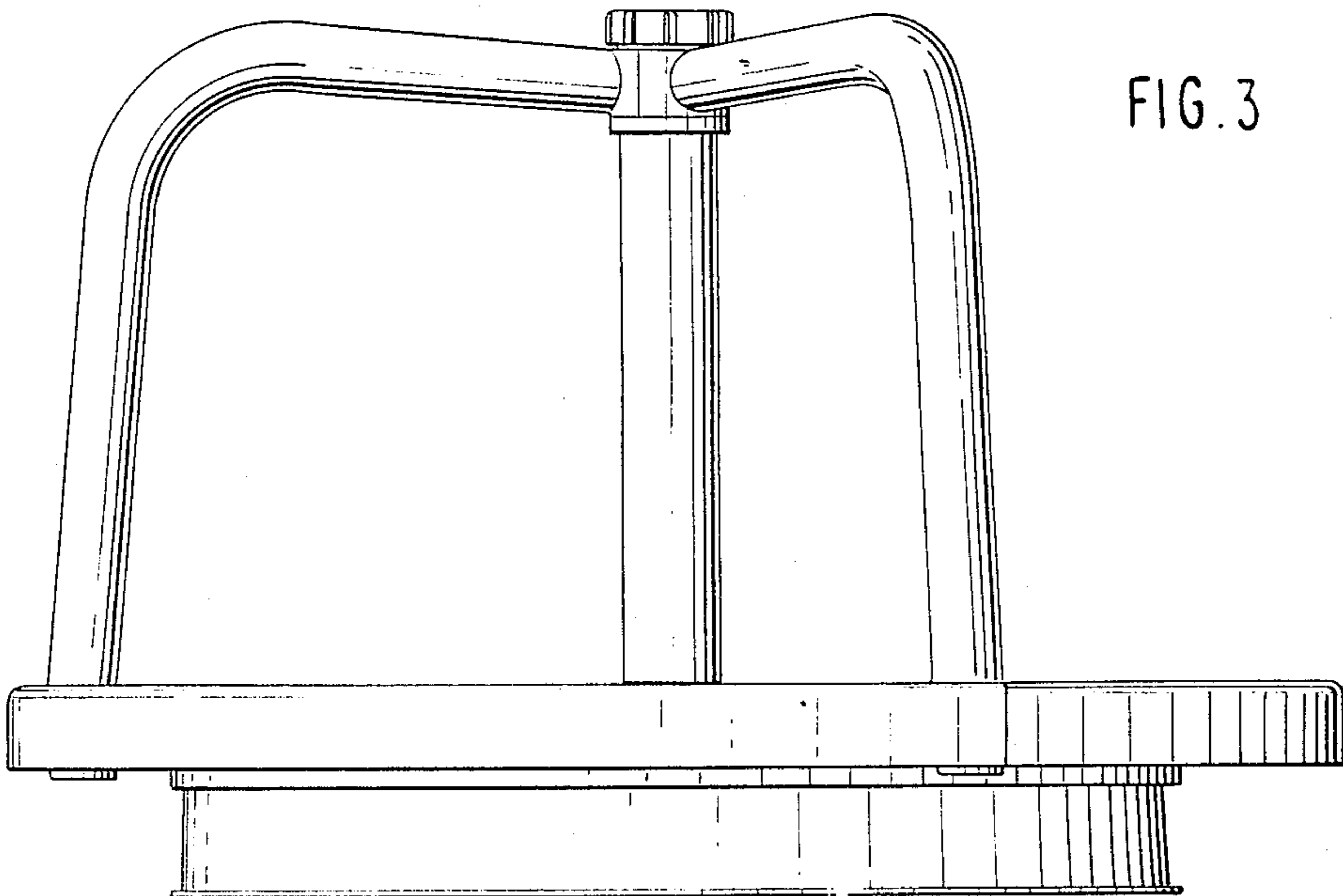


FIG. 4

