

[54] **HOLDER FOR ASSORTED DESK ARTICLES**

[75] Inventor: Mel Evenson, San Pedro, Calif.

[73] Assignee: Eldon Industries, Inc., Inglewood, Calif.

[**] Term: 14 Years

[21] Appl. No.: 320,388

[22] Filed: Mar. 6, 1989

Related U.S. Application Data

[62] Division of Ser. No. 769,316, Aug. 26, 1985.

[52] U.S. Cl. D19/77; D19/84; D19/86; D19/91; D19/78

[58] Field of Search D19/75, 77, 78, 81, D19/84, 85, 91; 206/214, 215; 211/69.1-69.9, 50, 11, 126

References Cited

U.S. PATENT DOCUMENTS

D. 240,819 8/1976 Macowski D19/75

D. 254,013 1/1980 Intini D19/21
D. 257,778 1/1981 Macowski D19/99
D. 258,941 4/1981 Henkels D19/77 X
D. 273,309 4/1984 Evenson D19/75
D. 293,453 12/1987 Johanson D19/77
4,066,171 1/1978 Fowlie D19/77 X

OTHER PUBLICATIONS

Arthur Salm, Inc. ©1976, see p. 3, #742 lower left.

Primary Examiner—Bruce W. Dunkins

Assistant Examiner—Martha Thompson

[57] **CLAIM**

The ornamental design for a holder for assorted desk articles, as shown and described.

DESCRIPTION

FIG. 1 is a front perspective view of a holder for assorted desk articles showing my new design; FIG. 2 is a top plan view; FIG. 3 is a front elevational view; FIG. 4 is a bottom plan view; FIG. 5 is a rear elevational view; and FIG. 6 is a right side elevational view thereof.

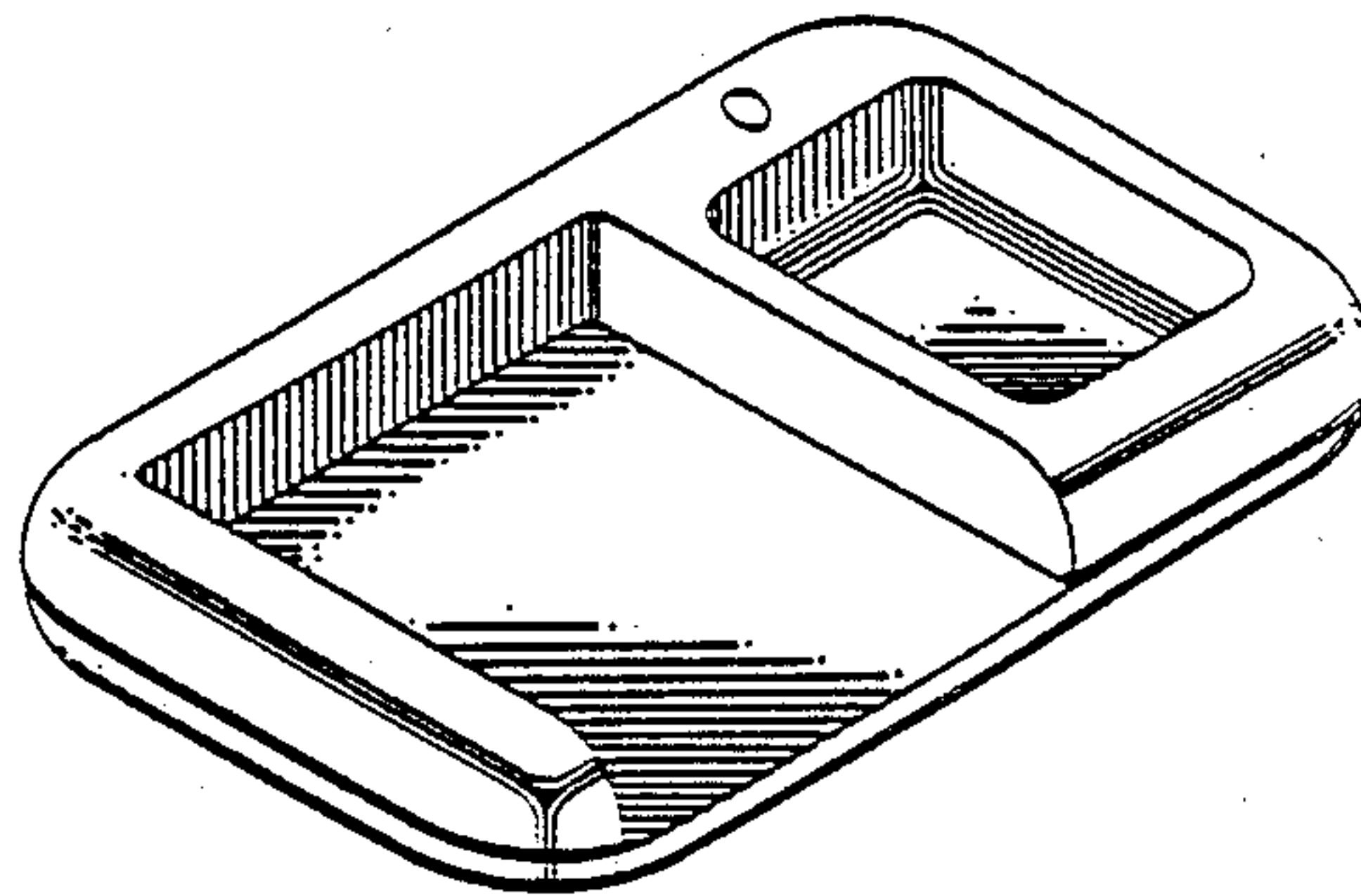


FIG. 1.

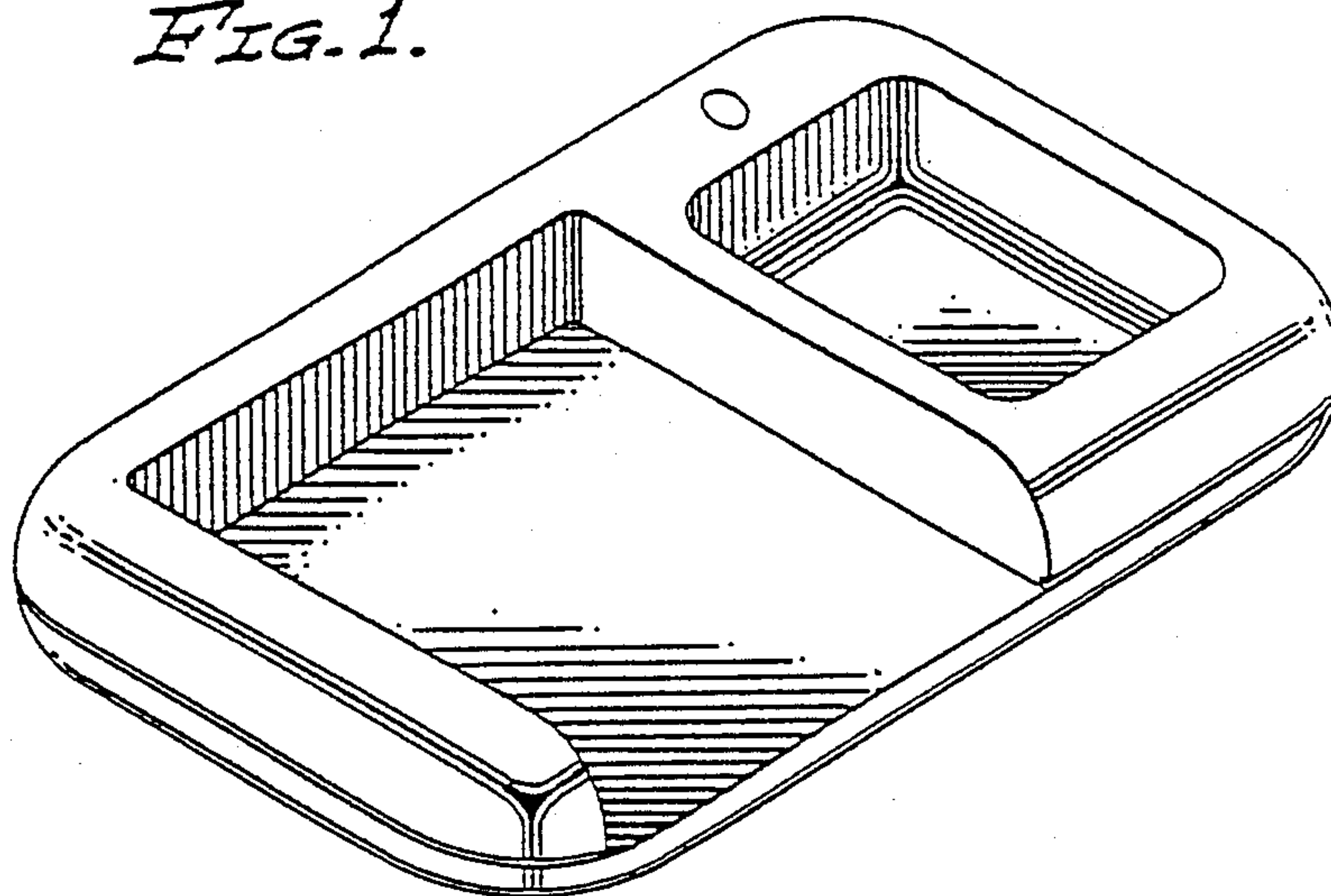


FIG. 2.

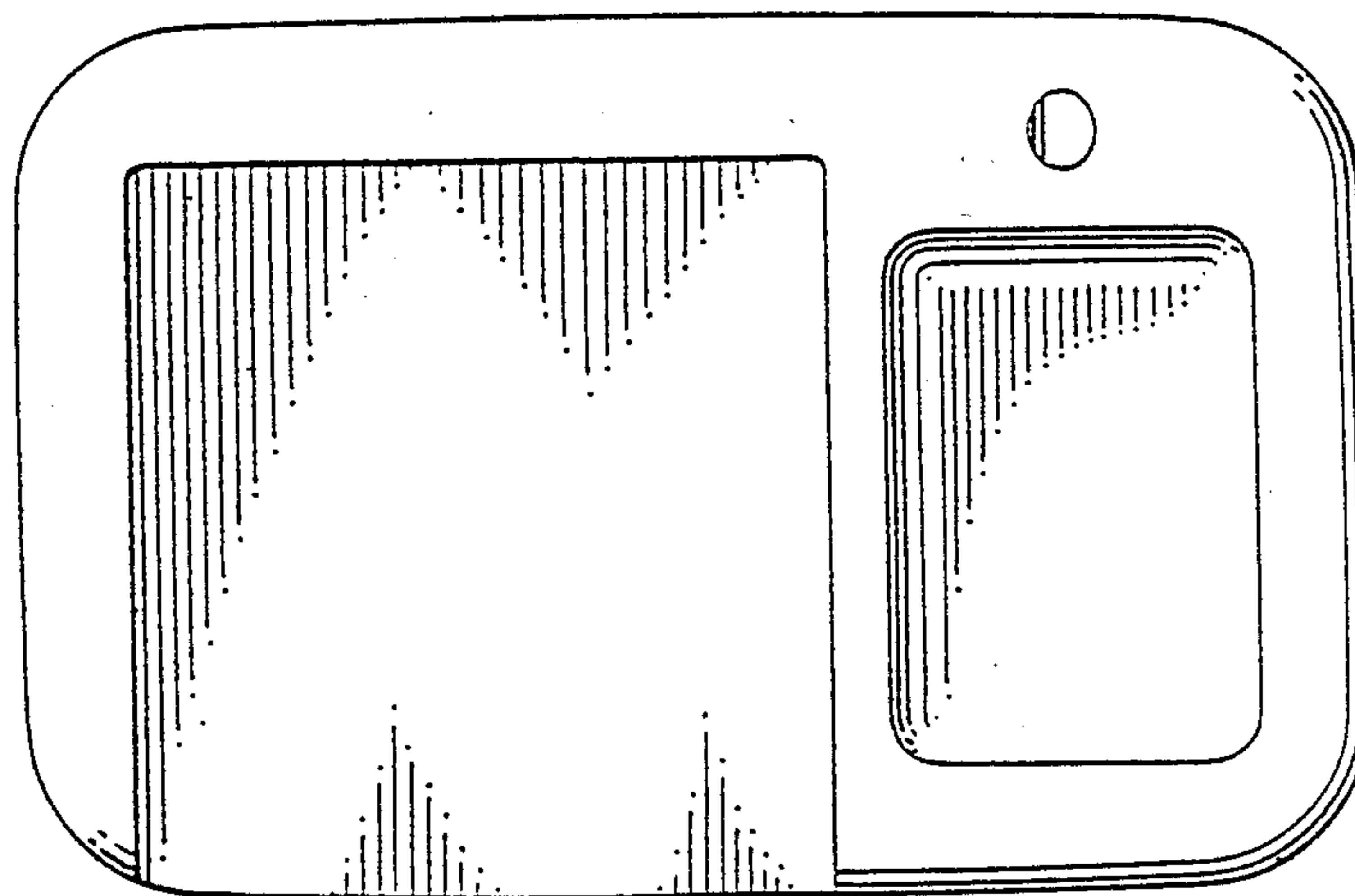


FIG. 3.

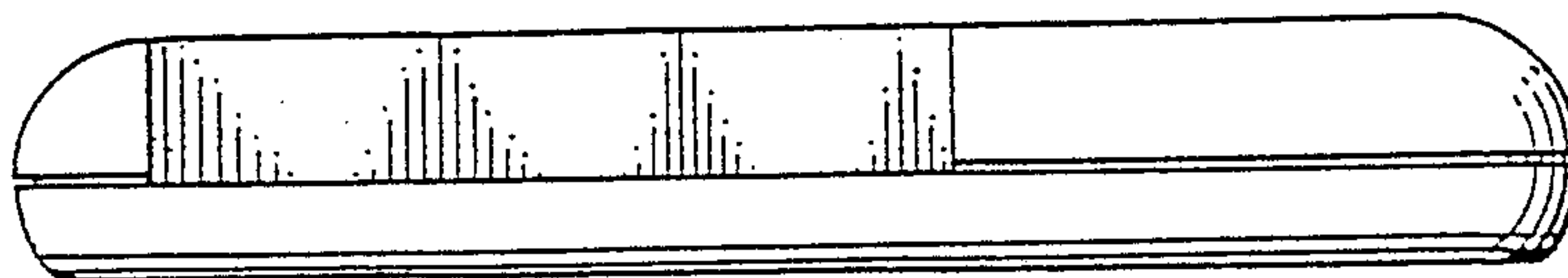


FIG. 4.

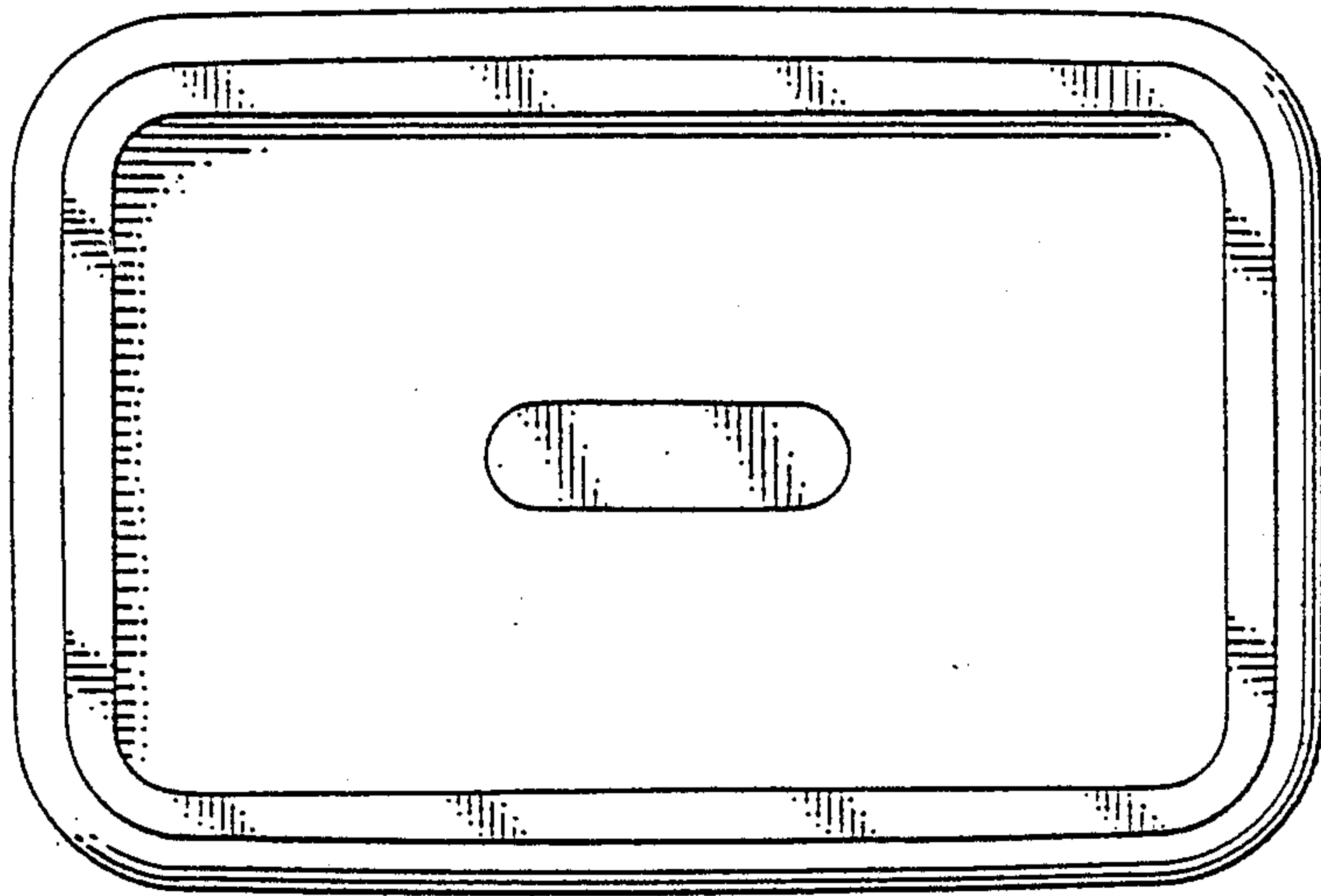


FIG. 5.

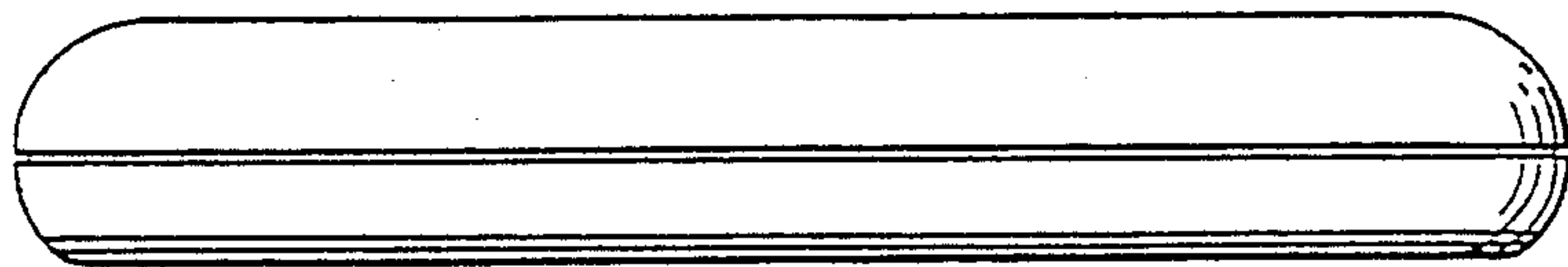


FIG. 6.

