

[54] COMBINED TWIN-NIBBED MARKER AND BALL-POINT PEN

[75] Inventor: Koichi Shintani, Kashiwa, Japan

[73] Assignee: Colleen Pencil Co. Ltd., Tokyo, Japan

[**] Term: 14 Years

[21] Appl. No.: 43,197

[22] Filed: Apr. 24, 1987

[52] U.S. Cl. D19/36; D19/41; D19/43; D19/48

[58] Field of Search D19/35, 36, 41-51, D19/54, 55, 56, 57; 401/195, 17, 18, 213

[56] References Cited

U.S. PATENT DOCUMENTS

D. 279,224	6/1985	Wolbrom	D19/43 X
D. 300,331	3/1989	Horntrich	D19/43
3,782,600	1/1974	Columbus	401/195
4,573,818	3/1986	Kodera	401/213 X

4,600,328	7/1986	Clements	401/17
4,652,163	3/1987	Karliner et al.	401/195

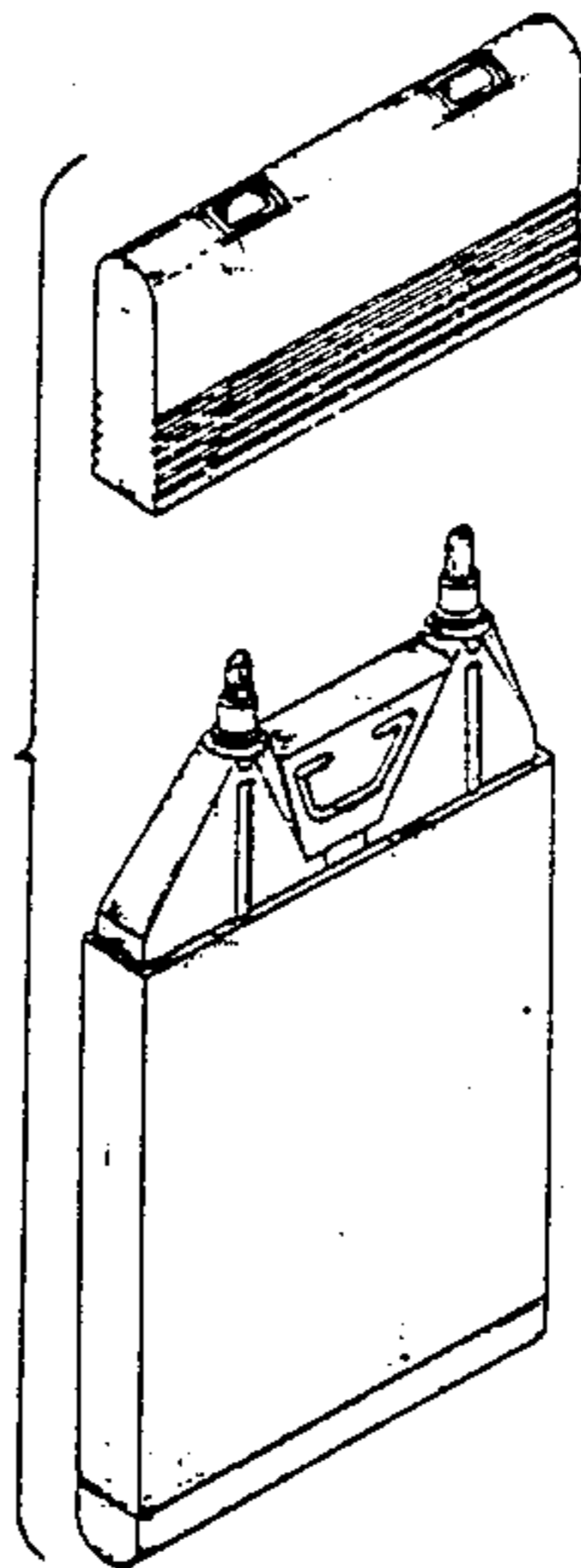
Primary Examiner—James R. Largen
Assistant Examiner—Martha Thompson
Attorney, Agent, or Firm—Michael J. Striker

[57] CLAIM

The ornamental design for a combined twin-nibbed marker and ball-point pen, as shown and described.

DESCRIPTION

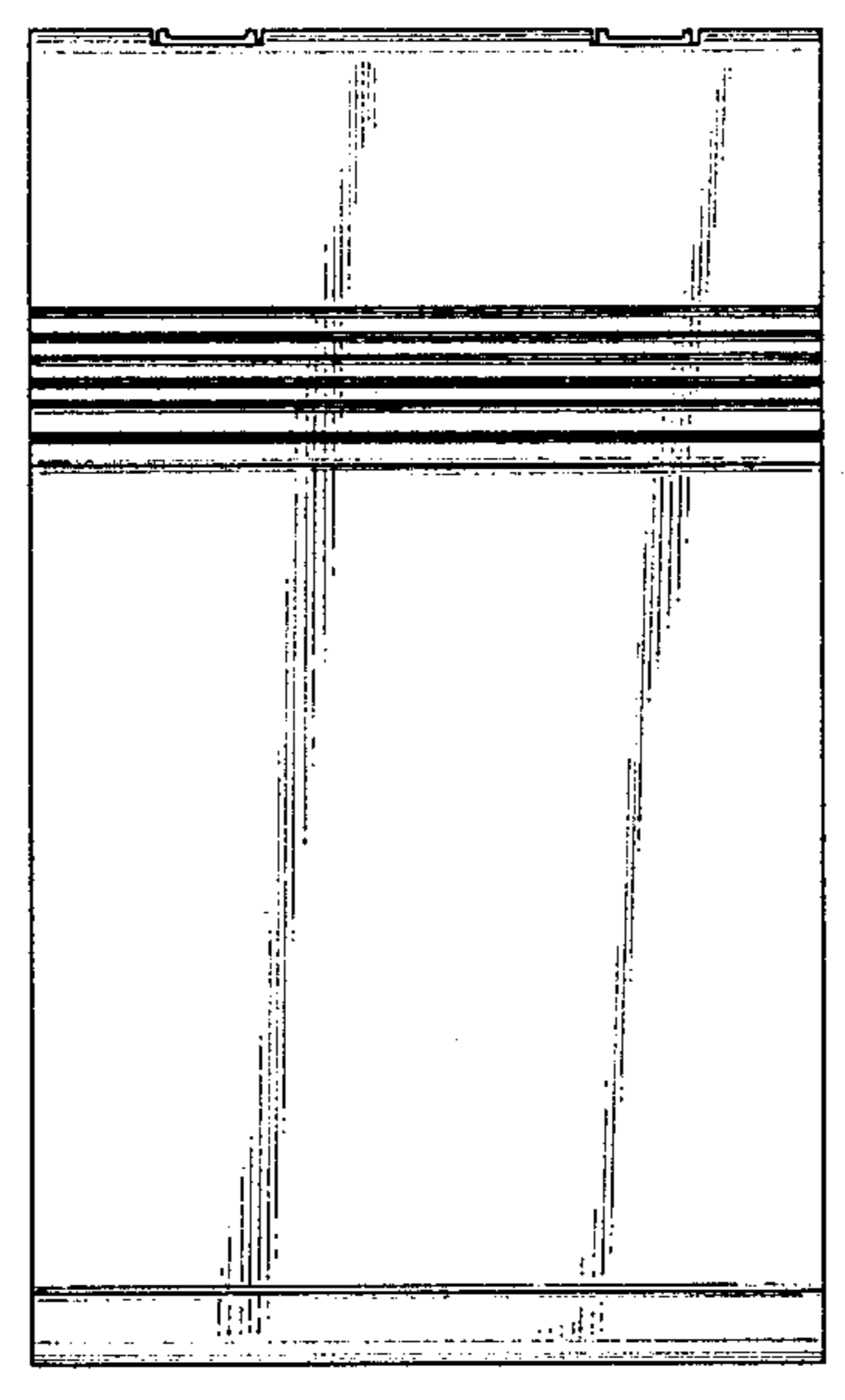
FIG. 1 is a front elevational view of a combined twin-nibbed marker and ball-point pen showing my new design;
FIG. 2 is a rear elevational view;
FIG. 3 is a right side elevational view;
FIG. 4 is a left side elevational view;
FIG. 5 is a top plan view;
FIG. 6 is a bottom plan view;
FIG. 7 is a perspective view in an exploded condition; and
FIG. 8 is a perspective view in an alternative exploded condition.



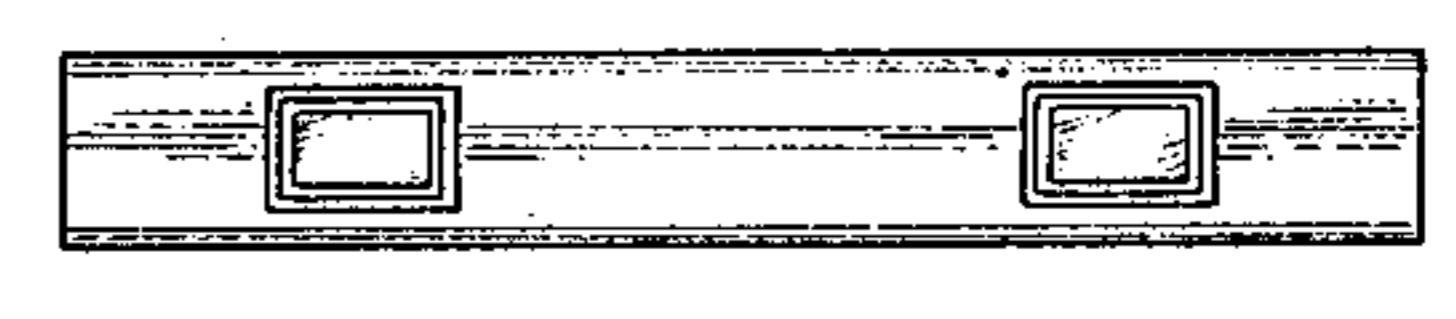
FIG_4



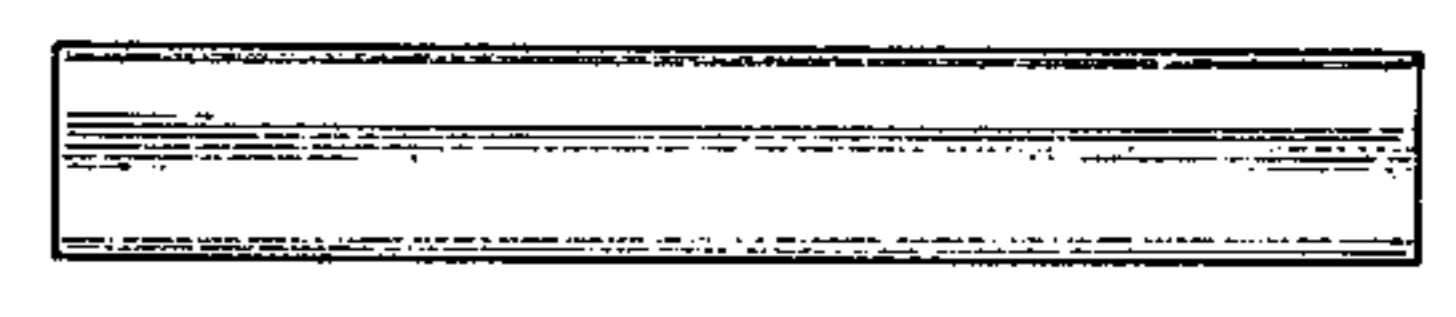
FIG_1



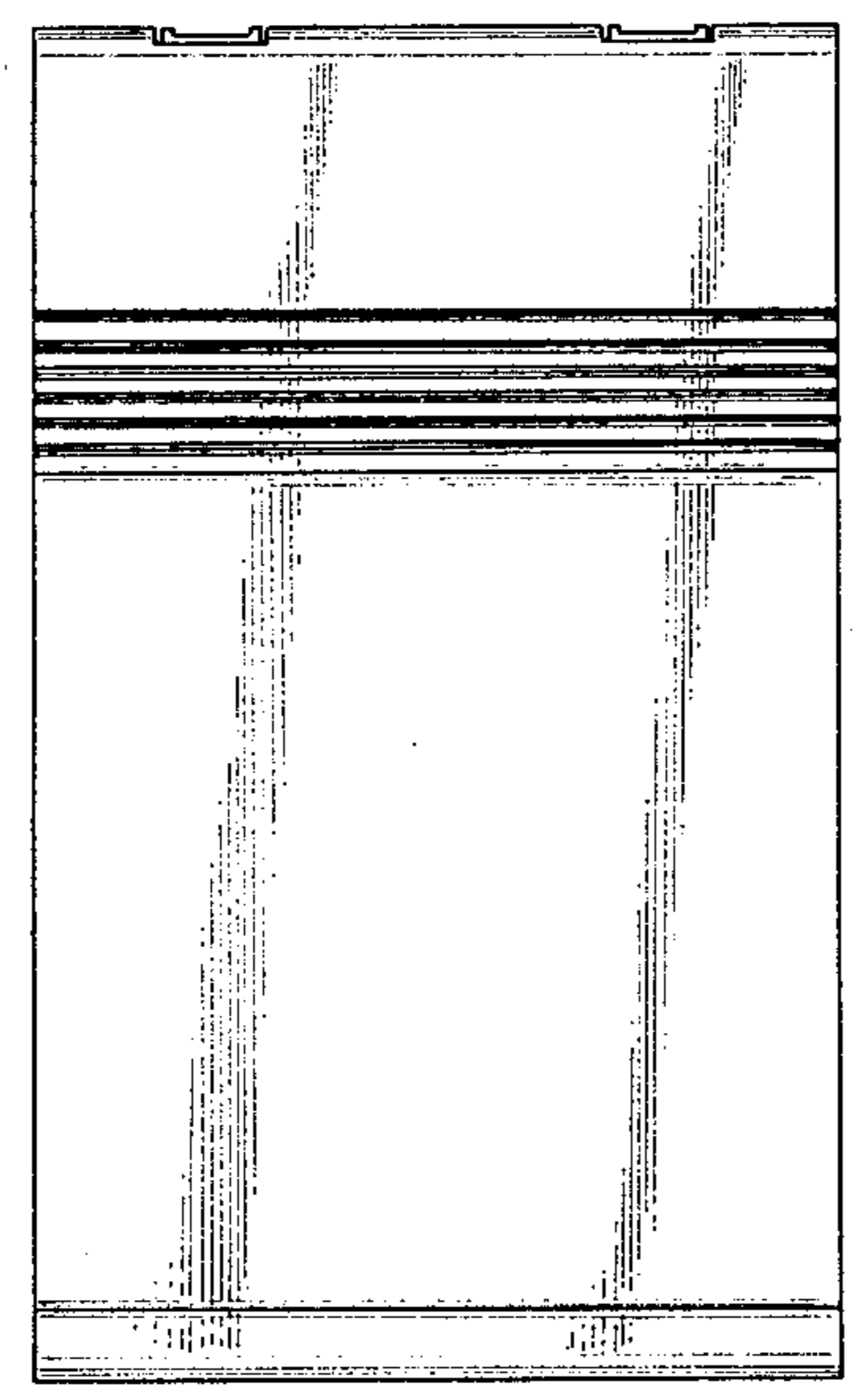
FIG_5



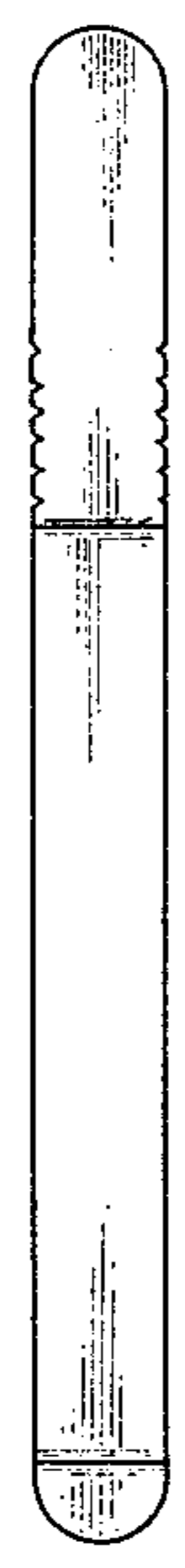
FIG_6



FIG_2



FIG_3



FIG_7

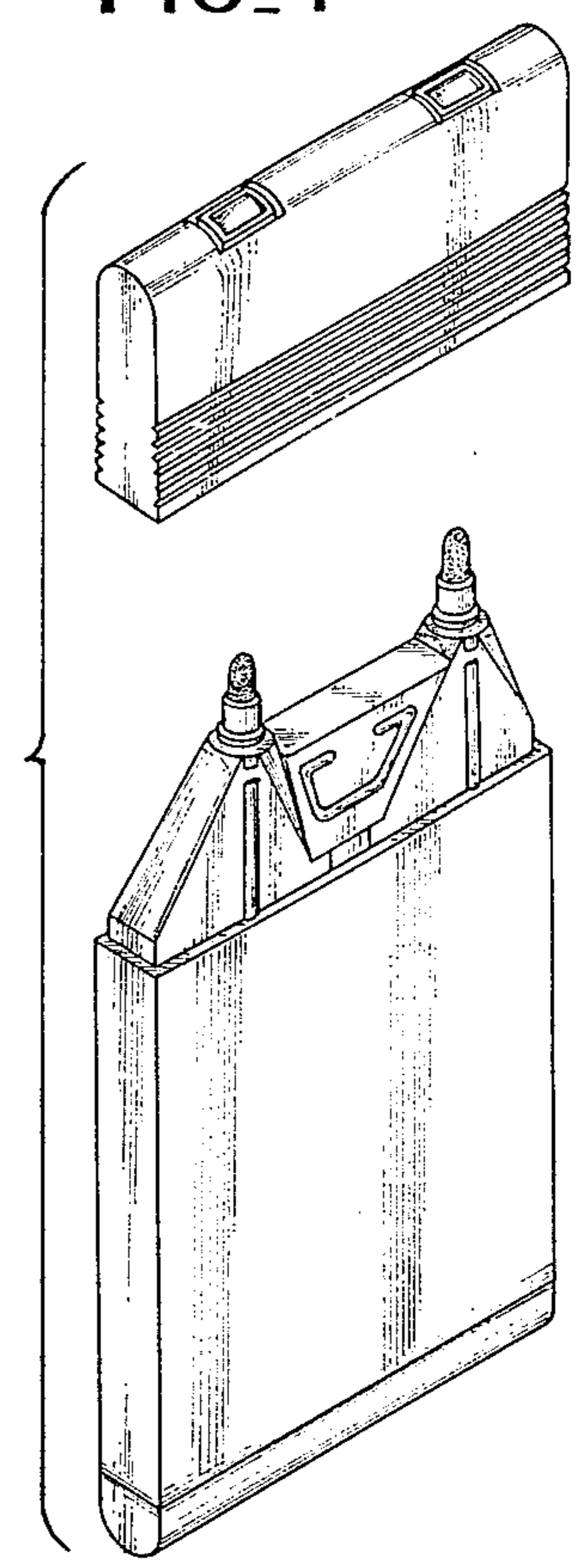


FIG. 8

