

[54] ELECTRONIC CASH REGISTER

[75] Inventors: Yutaka Kobayashi, Hirakata; Koichi Hyakutake, Nogata, both of Japan

[73] Assignee: Omron Tateisi Electronics Co., Kyoto, Japan

[**] Term: 14 Years

[21] Appl. No.: 43,294

[22] Filed: Apr. 28, 1987

[30] Foreign Application Priority Data

Nov. 4, 1986 [JP] Japan 61-43676
[52] U.S. Cl. D18/4
[58] Field of Search D18/2-5; D14/100, 105, 106; D99/28; 235/1 D, 7 R, 379-383; 364/404, 405

[56] References Cited

U.S. PATENT DOCUMENTS

- D. 220,720 5/1971 Kitai D18/4
D. 238,962 2/1976 Webb D18/4
D. 241,572 9/1976 Dobashi et al. D18/4
D. 259,264 5/1981 Schuldt D18/4
D. 261,003 9/1981 Jinbo et al. D18/4
D. 269,441 6/1983 Matsuda et al. D18/4
D. 279,382 6/1985 Hori et al. D18/4
4,084,238 4/1978 Masuo 364/405
4,213,179 7/1980 Hamano et al. 364/405

- 4,276,598 6/1981 Inoue et al. 364/405
4,312,037 1/1982 Yamakita 364/405

OTHER PUBLICATIONS

Office Products, Jan. 1979, p. 5.
Office Products Dealer, Jul. 1981, p. 4.
Office Products Dealer, Feb. 1982, p. 5.
Design 440, Aug. 1985, p. 43.

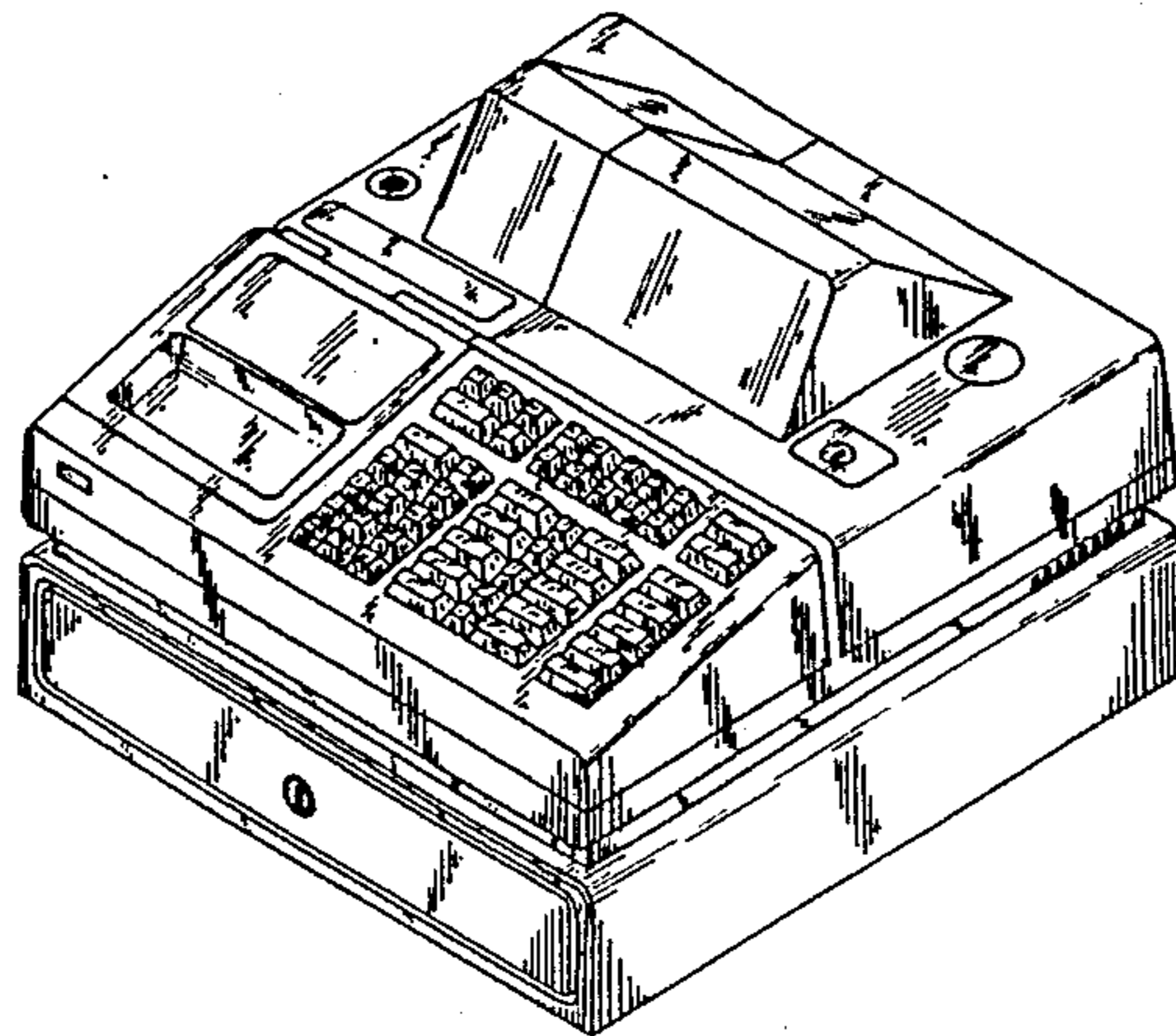
Primary Examiner—James R. Largen
Attorney, Agent, or Firm—Stevens, Davis, Miller & Mosher

[57] CLAIM

The ornamental design for an electronic cash register, as shown and described.

DESCRIPTION

FIG. 1 is a perspective view taken from the top, front and right side of an electronic cash register showing our new design;
FIG. 2 is a front elevational view thereof;
FIG. 3 is a left side elevational view thereof;
FIG. 4 is a rear elevational view thereof;
FIG. 5 is a top plan view thereof;
FIG. 6 is a right side elevational view thereof;
FIG. 7 is a bottom plan view thereof.
The broken line representation of indicia in FIG. 2 for purposes of illustration only and form no part of the claimed design.



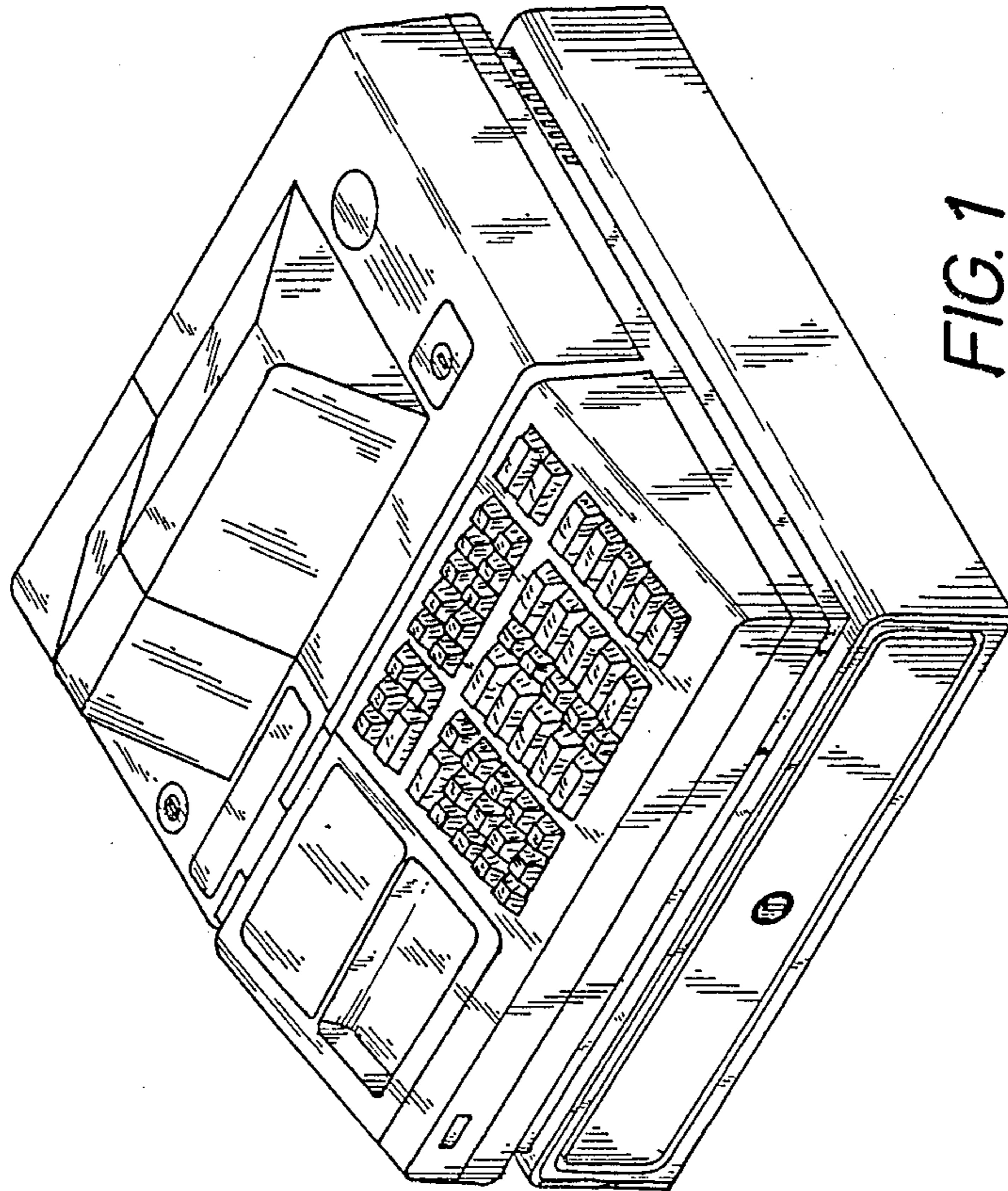


FIG. 1

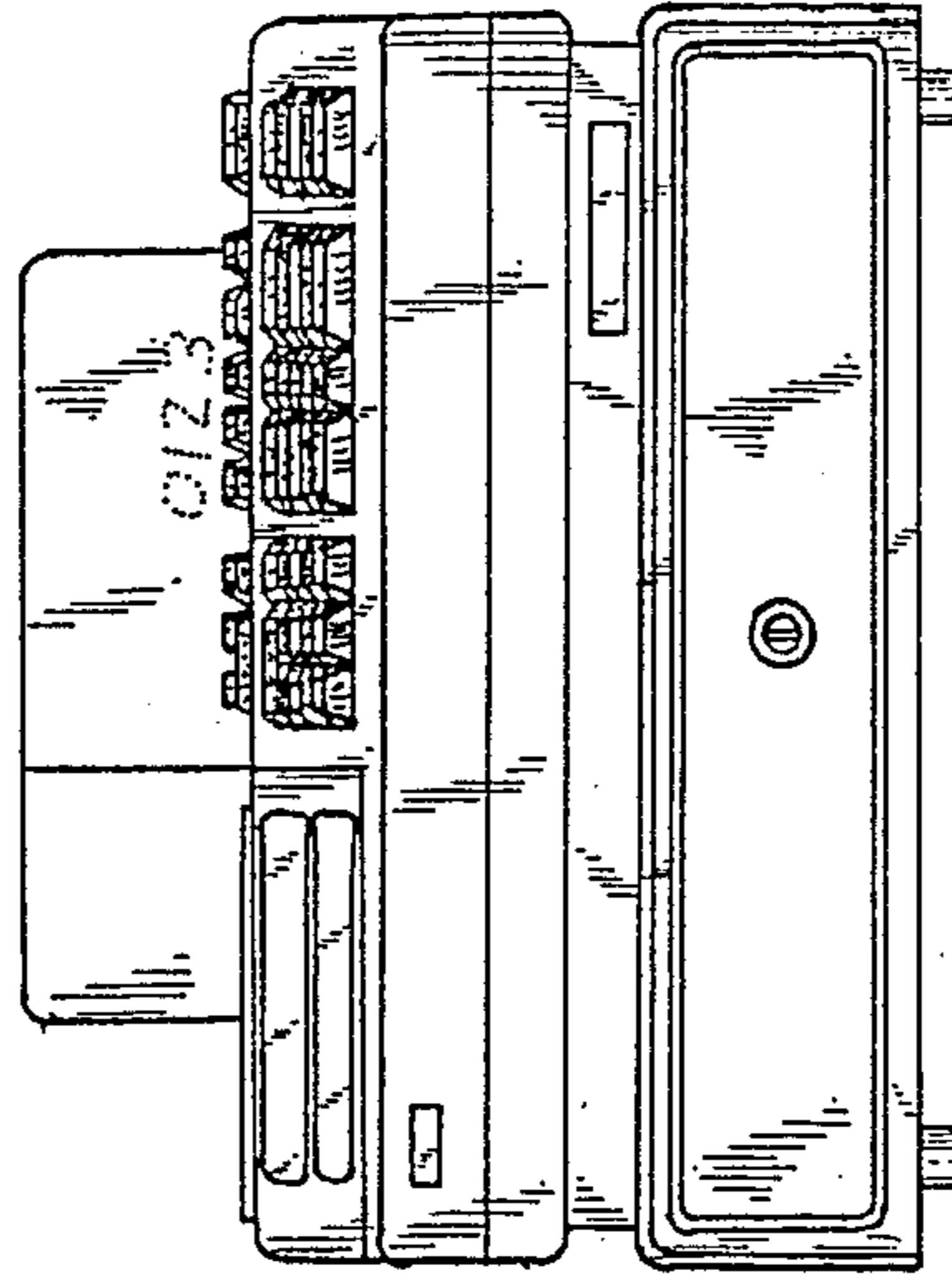


FIG. 2

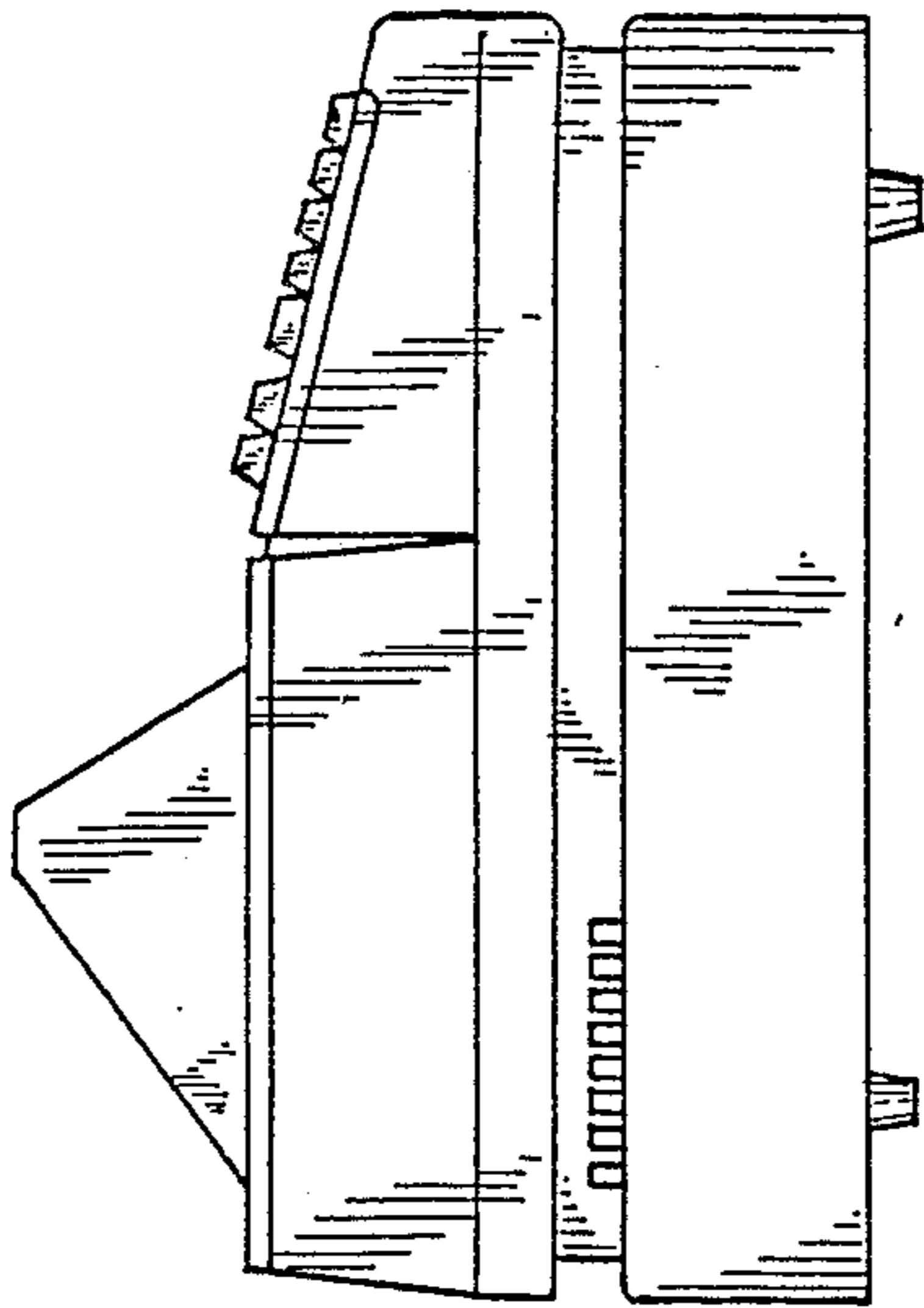


FIG. 3

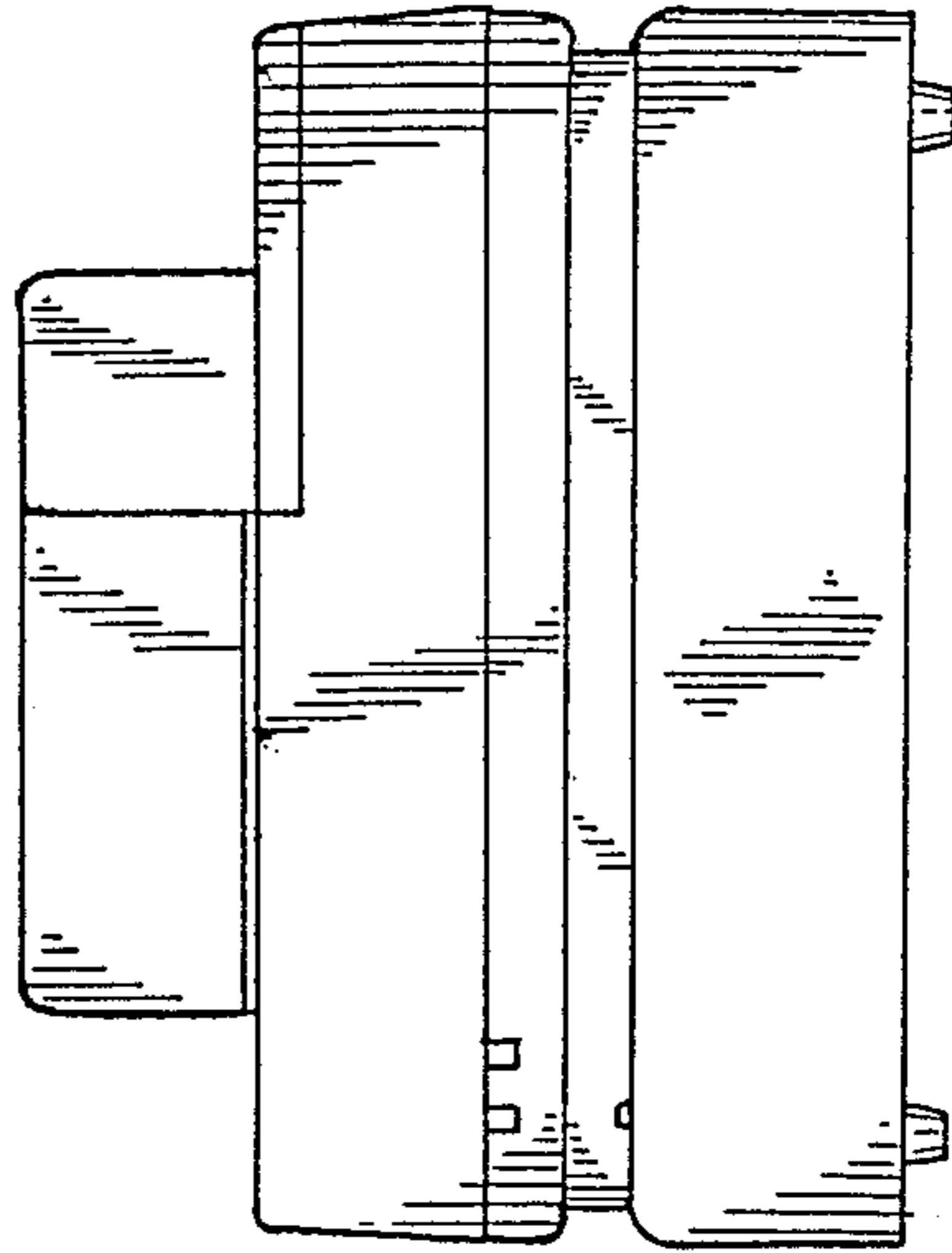


FIG. 4

FIG. 5

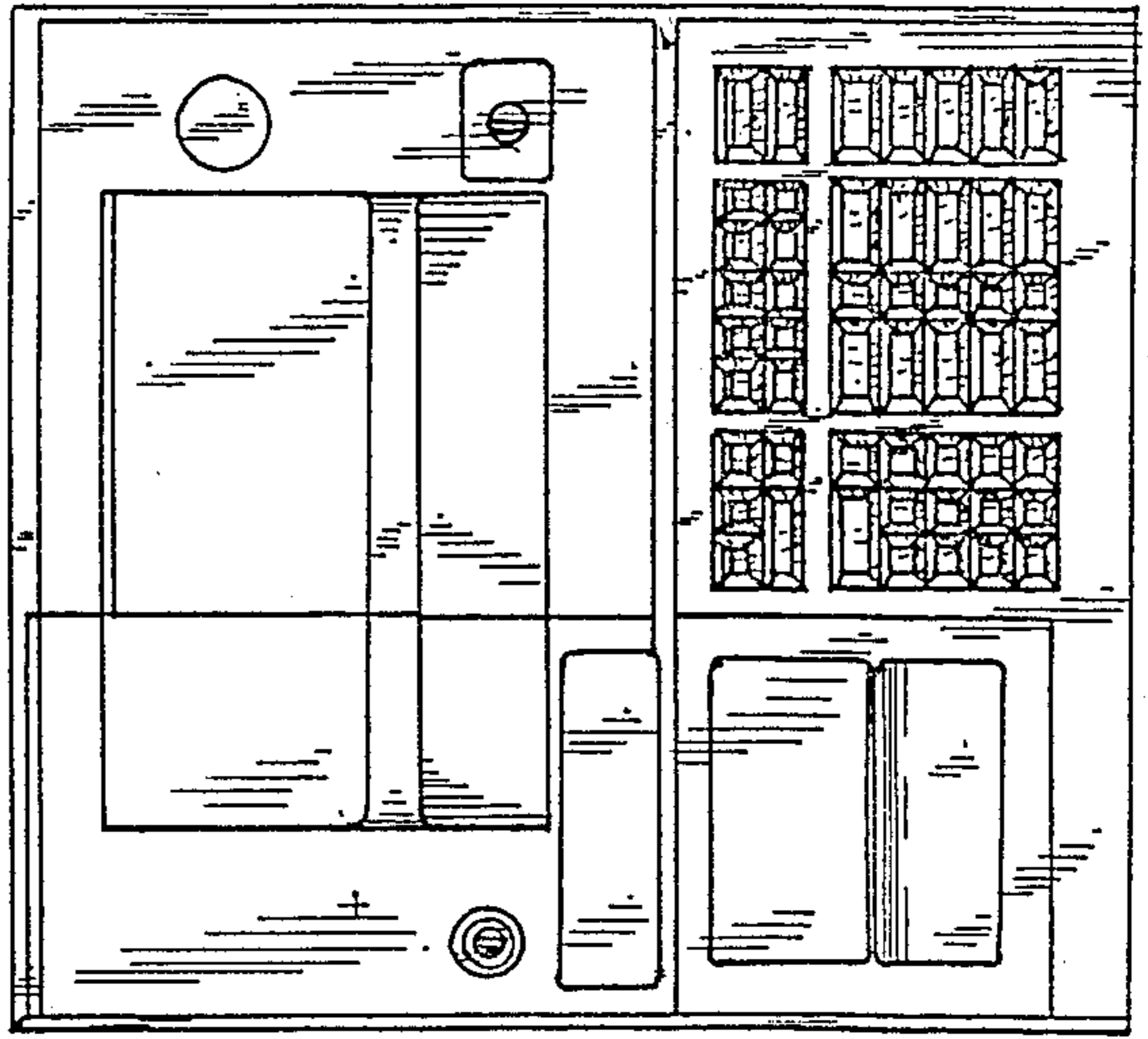


FIG. 6

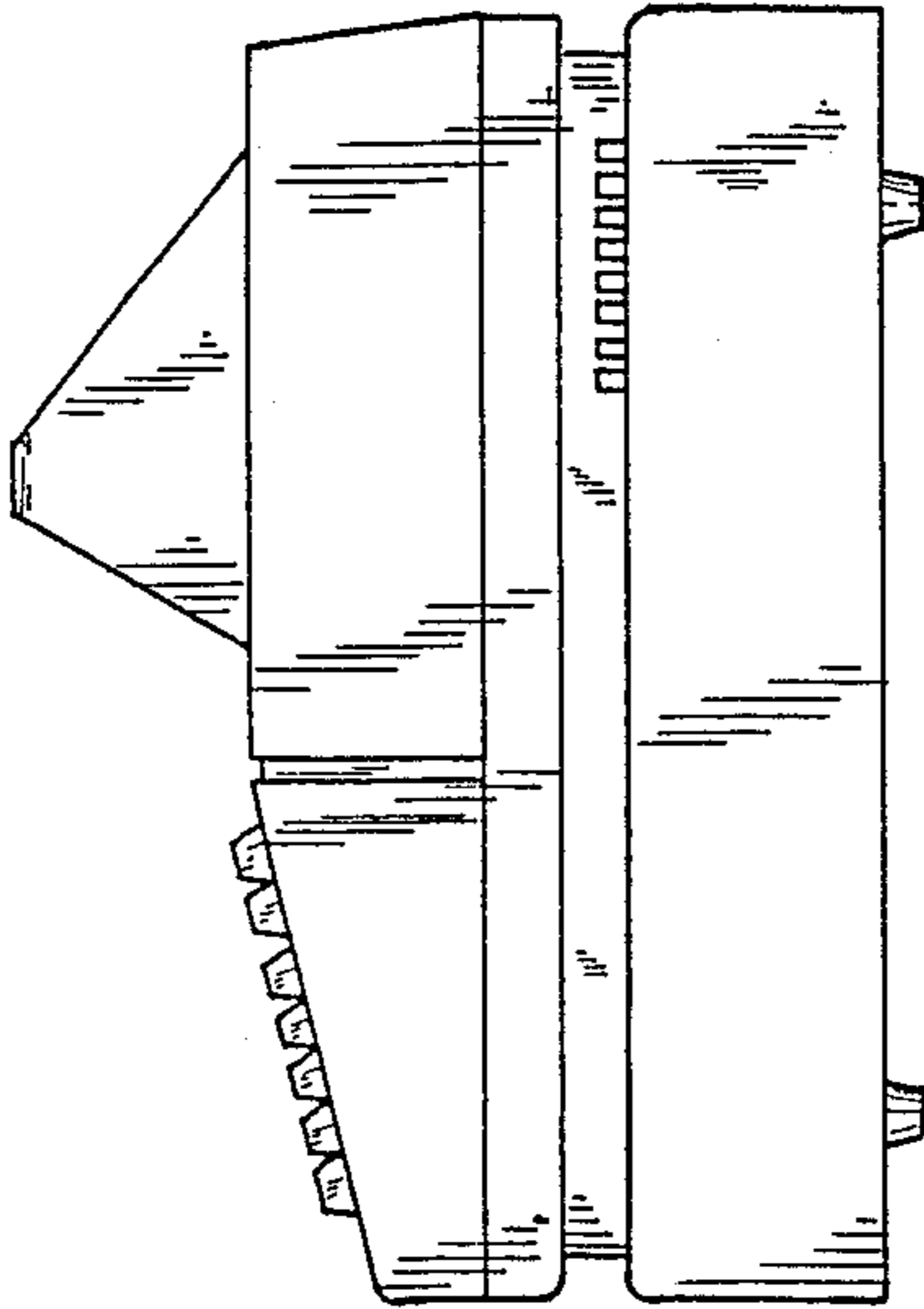


FIG. 7

