

[54] PORTRAIT CAMERA WITH BUILT-IN FOLDING FLASH

4,208,113 6/1980 Prochnow 354/82

[75] Inventors: Stephen E. Lane; Aidan Petrie, both of Boston, Mass.; Erik P. Thomas, Warwick, R.I.

[73] Assignee: Polaroid Corporation, Cambridge, Mass.

[**] Term: 14 Years

[21] Appl. No.: 55,117

[22] Filed: May 28, 1987

[52] U.S. Cl. D16/209; D16/206; D16/207

[58] Field of Search D16/200, 206, 207, 208, D16/209, 210, 218; 354/82, 288

[56] References Cited

U.S. PATENT DOCUMENTS

D. 91,228	12/1933	Whitlock	D16/218
D. 191,017	8/1961	Elliott	D16/206
2,868,098	1/1959	Lopez	354/288
3,323,432	6/1967	Rabanit	D16/210

OTHER PUBLICATIONS

The British Journal of Photography, Mar. 6, 1987, p. 272

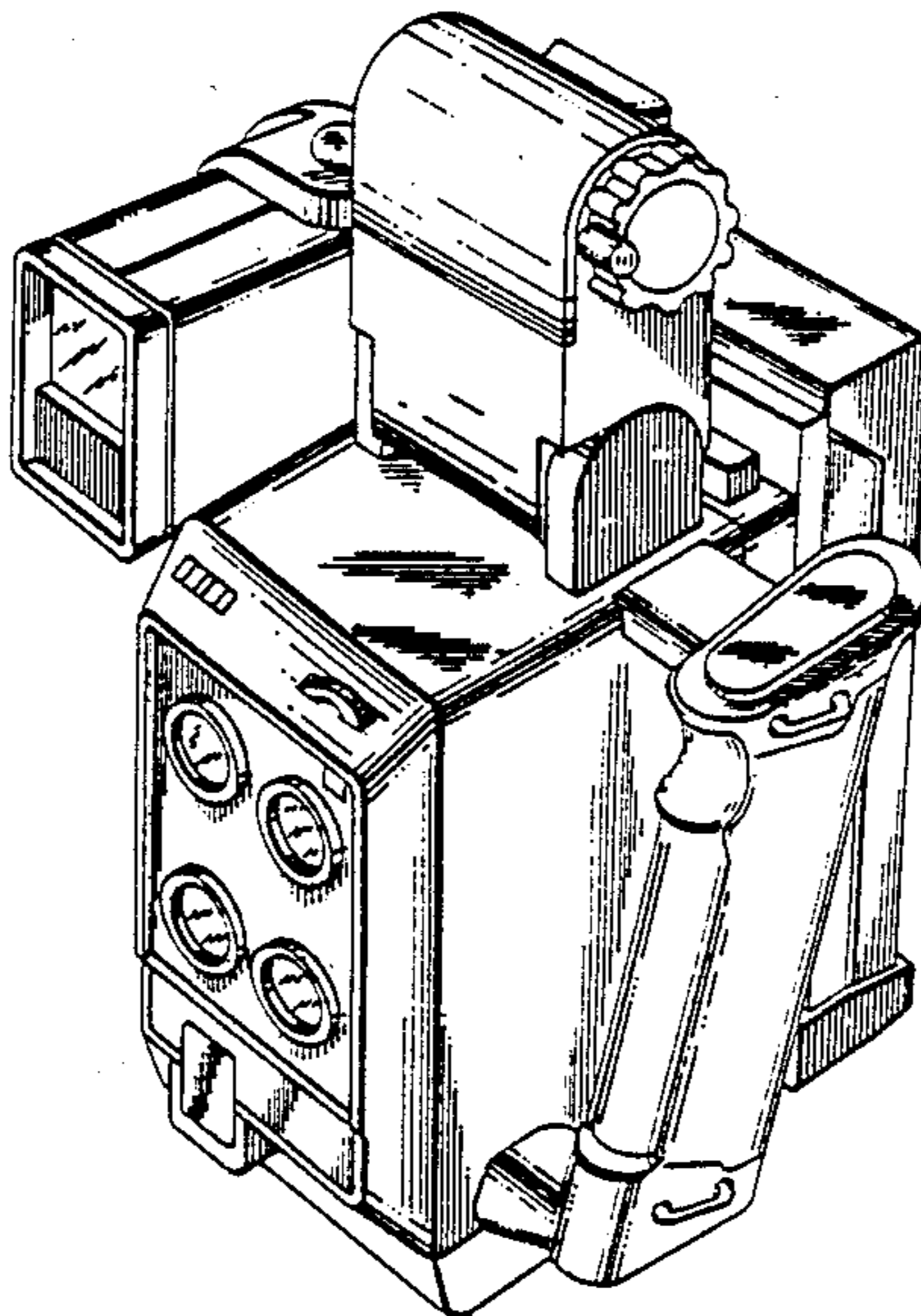
Primary Examiner—Bernard Ansher
Assistant Examiner—Adir Aronovich
Attorney, Agent, or Firm—John J. Kelleher

[57] CLAIM

The ornamental design for a portrait camera combined with built-in folding flash, as shown.

DESCRIPTION

FIG. 1 is as left, front perspective view of a portrait camera combined with built in folding flash showing our new design with flash device in the raised position; FIG. 2 is a front elevational view thereof; FIG. 3 is a right side elevational view in the folded position; FIG. 4 is a left side elevational view thereof; FIG. 5 is a rear elevational view thereof; FIG. 6 is a top plan view with flash in the folded position; and FIG. 7 is a bottom plan view thereof.



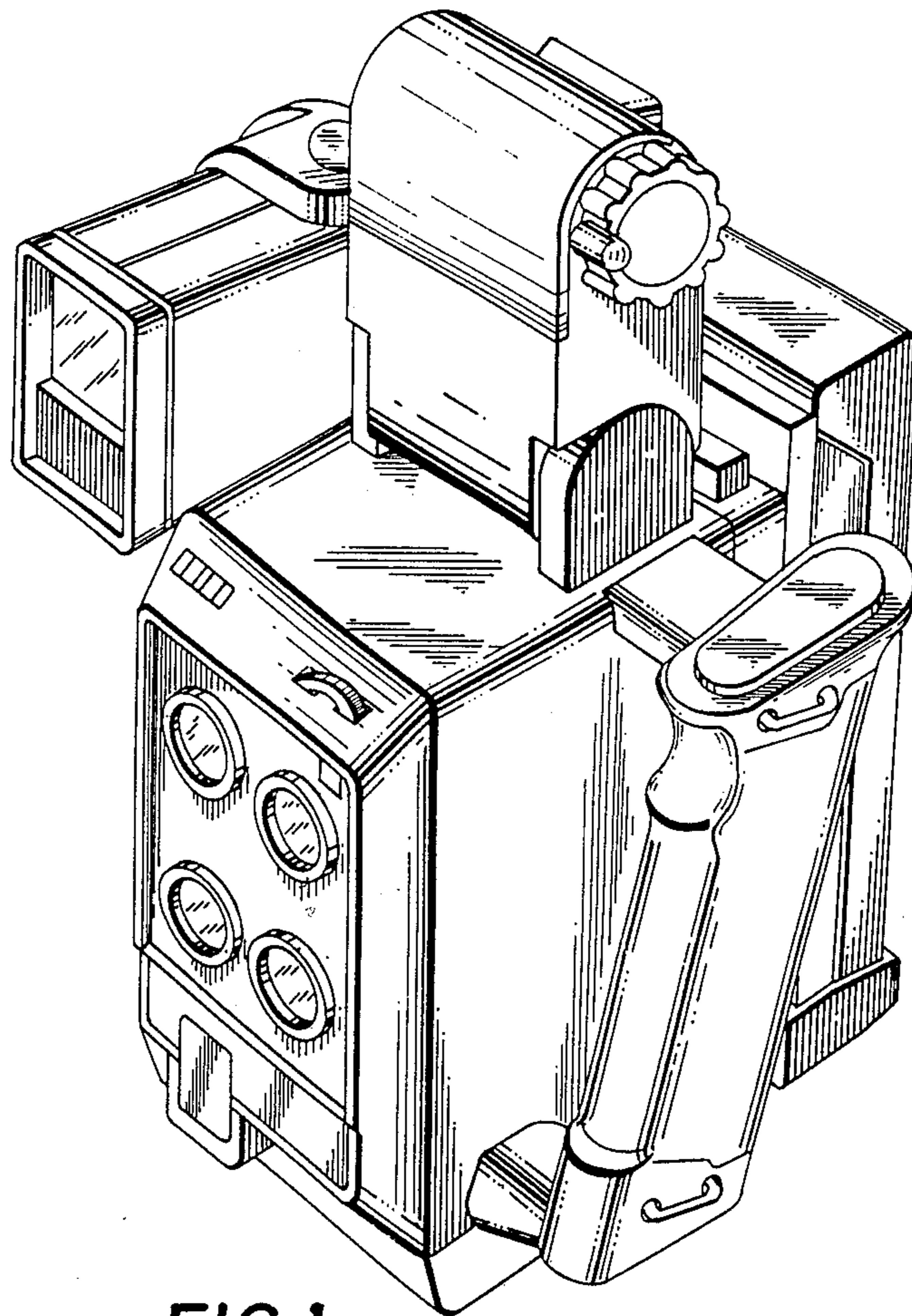


FIG 1

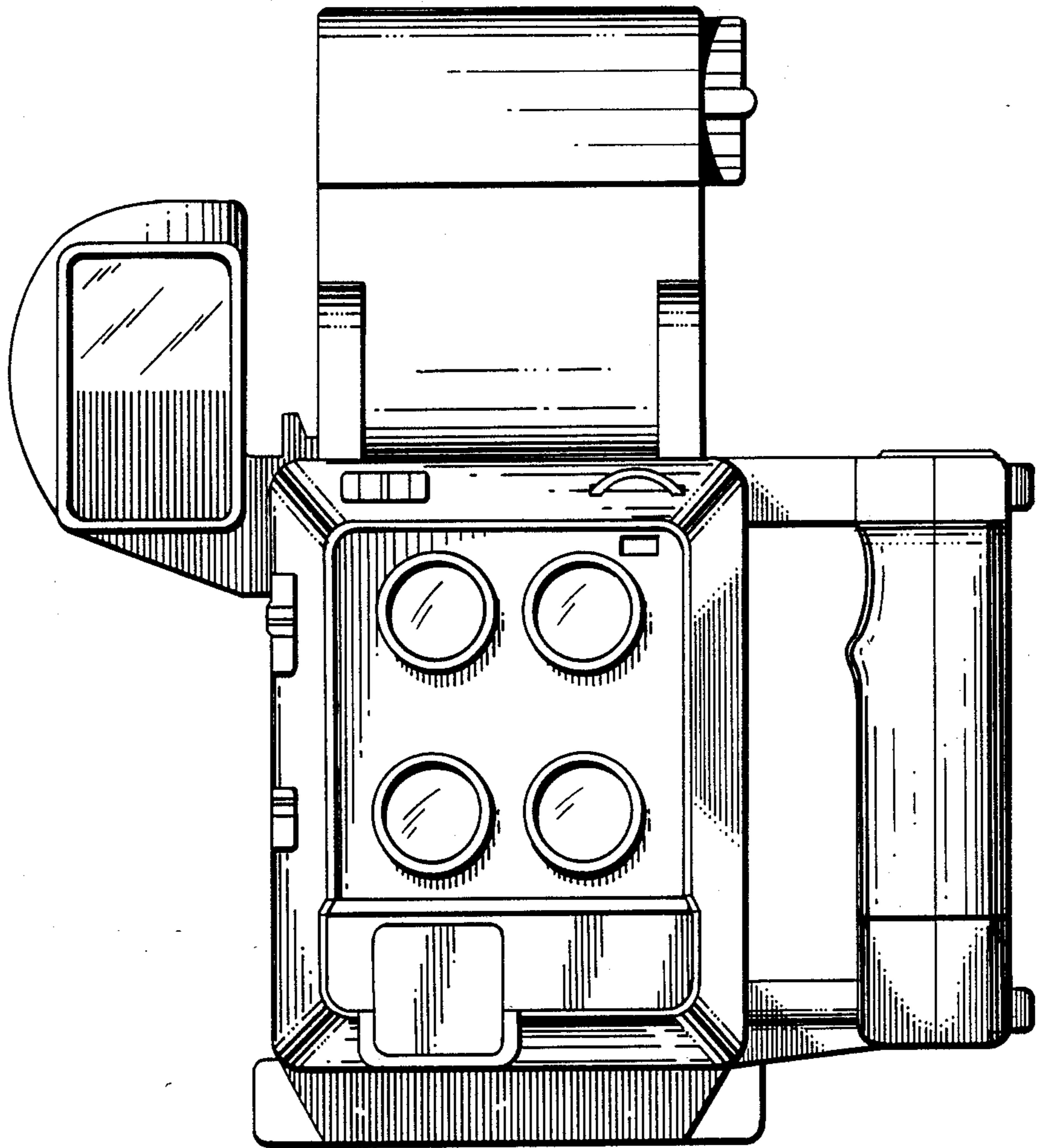


FIG 2

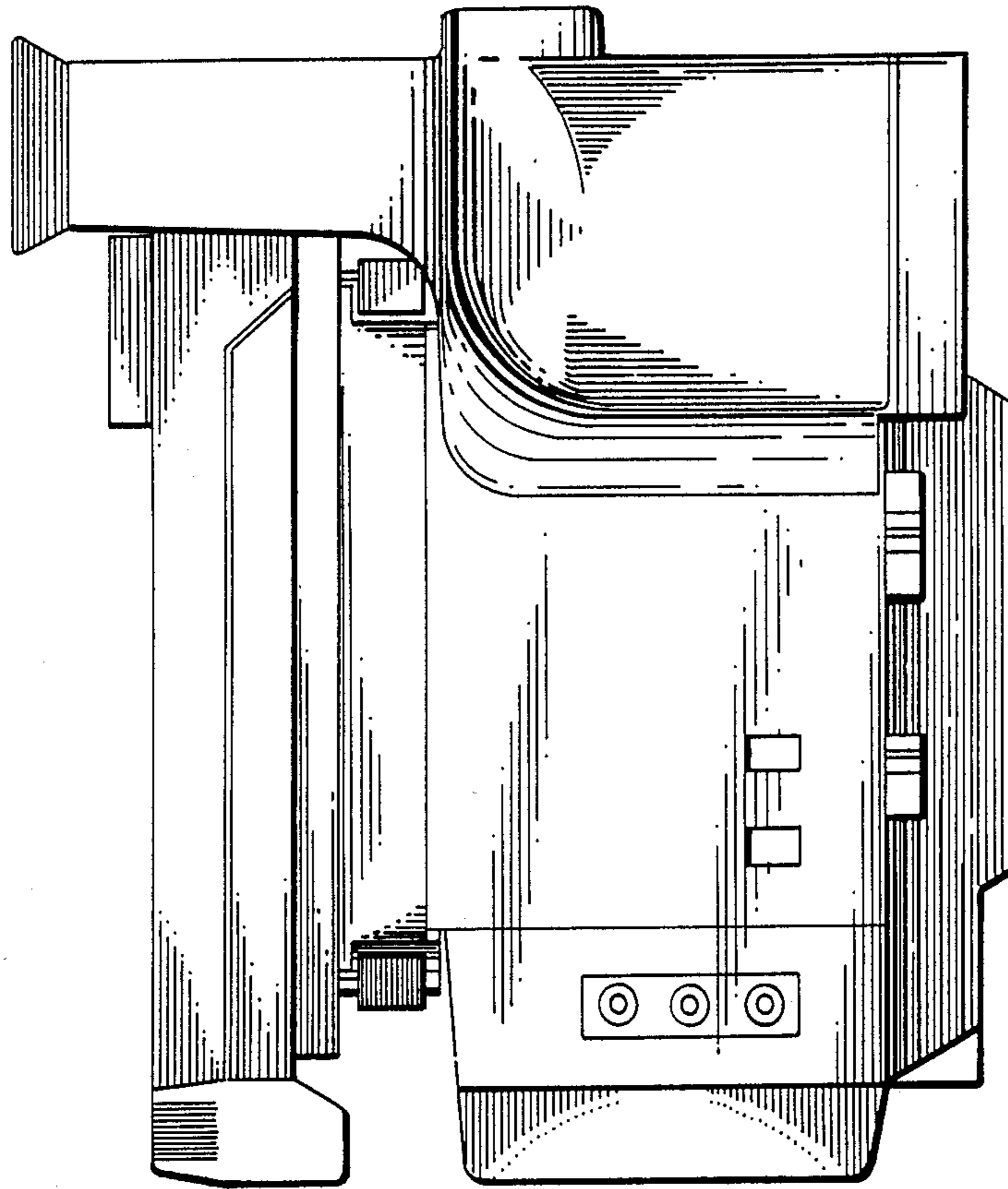


FIG 3

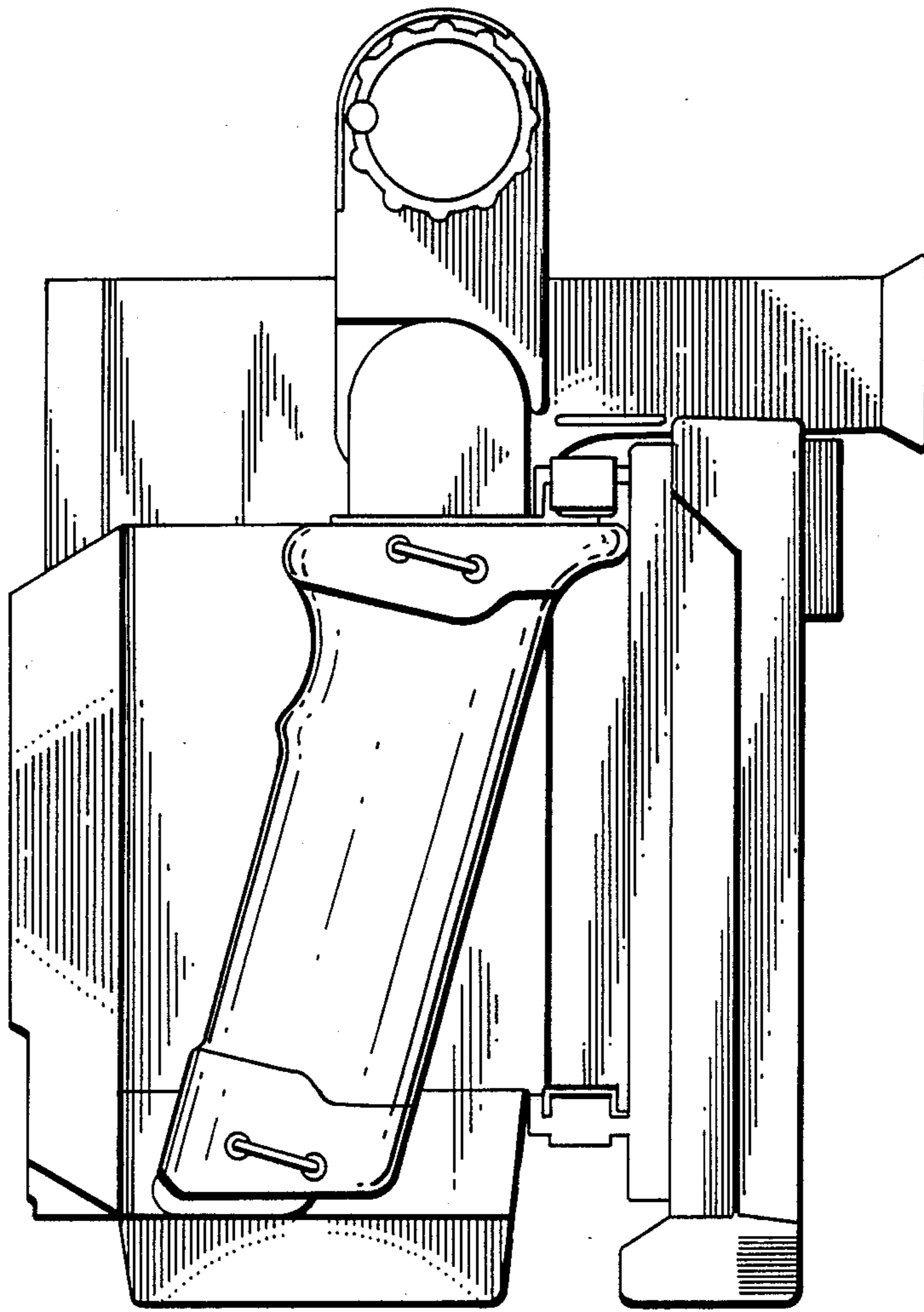


FIG 4

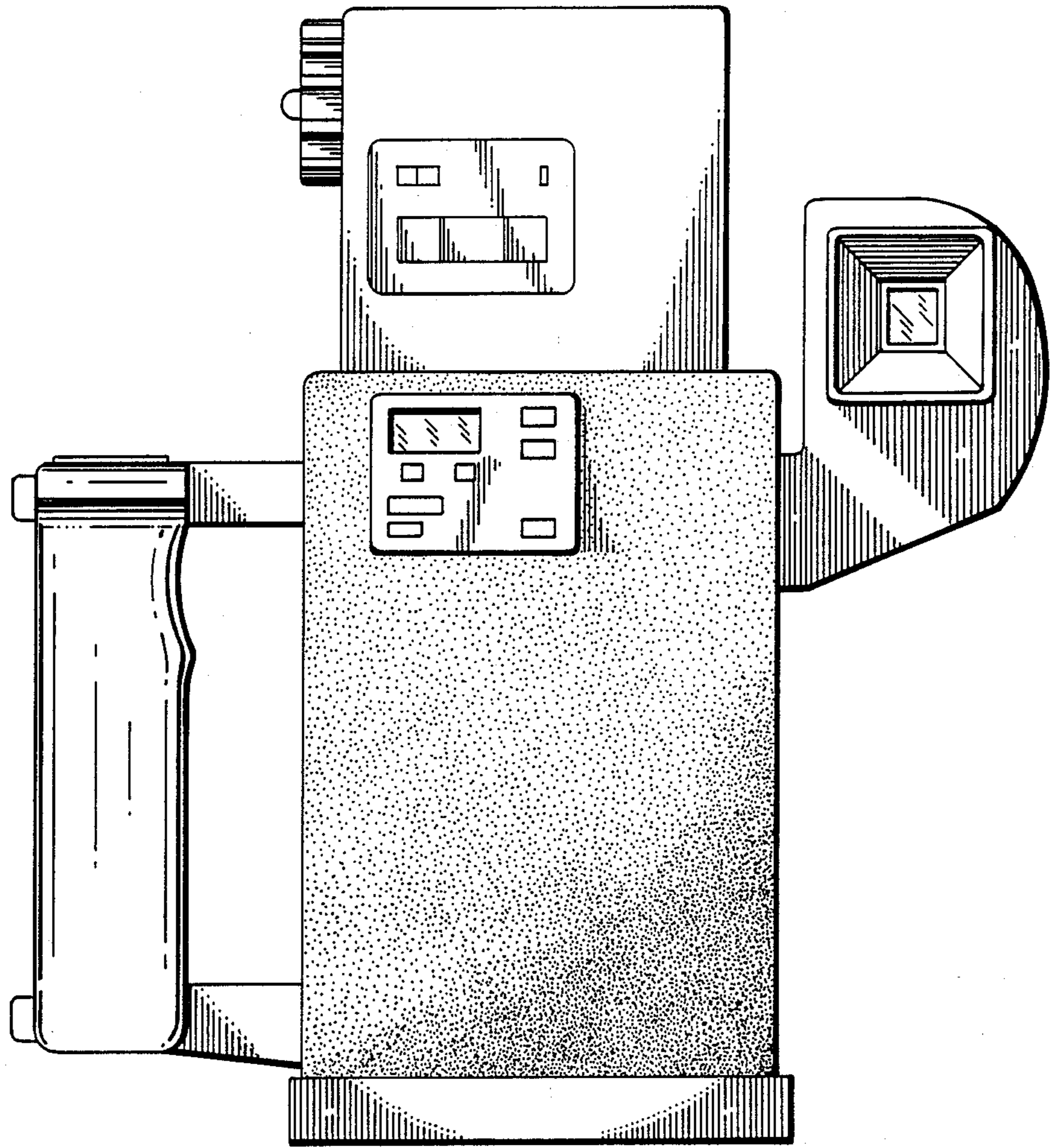


FIG 5

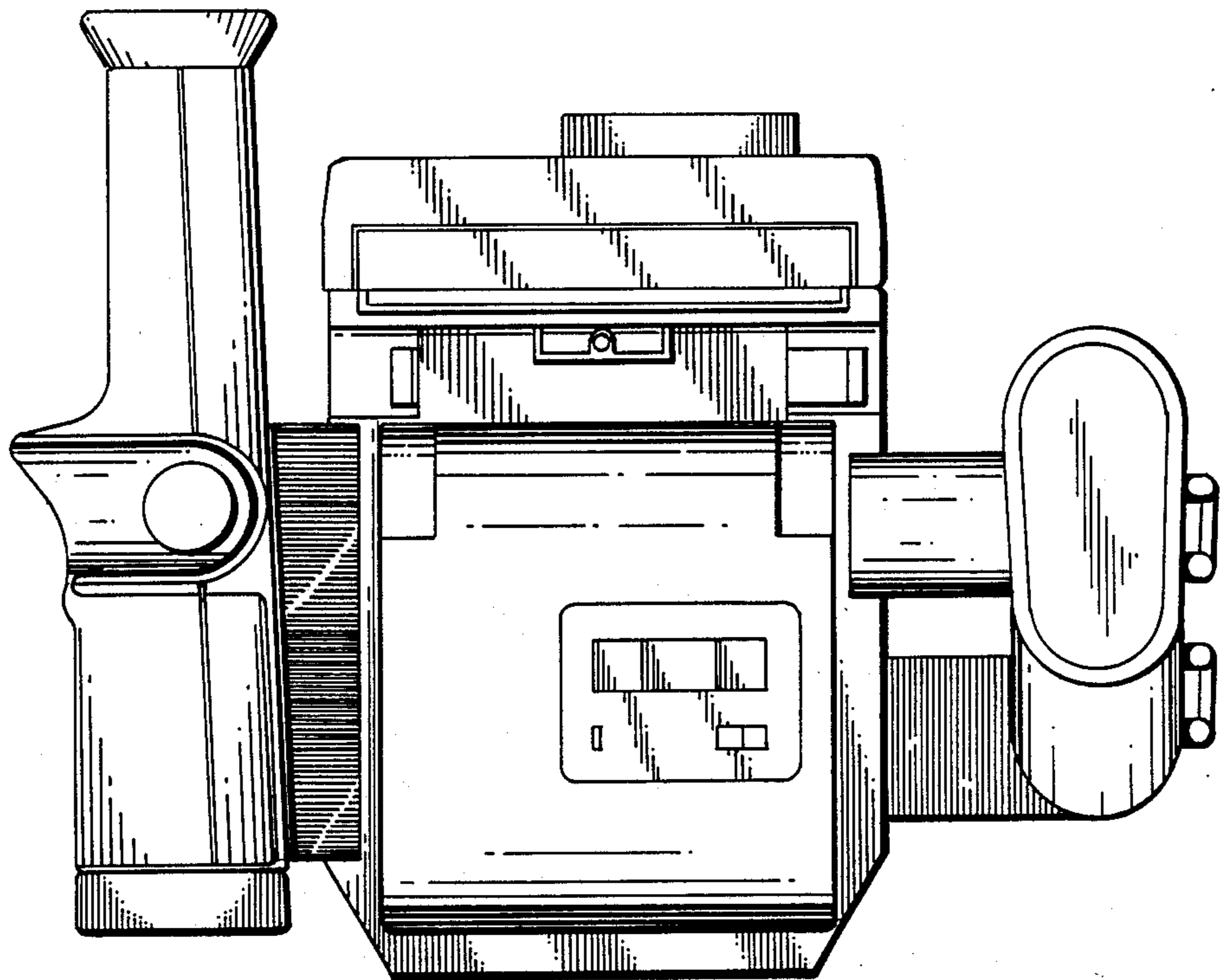


FIG 6

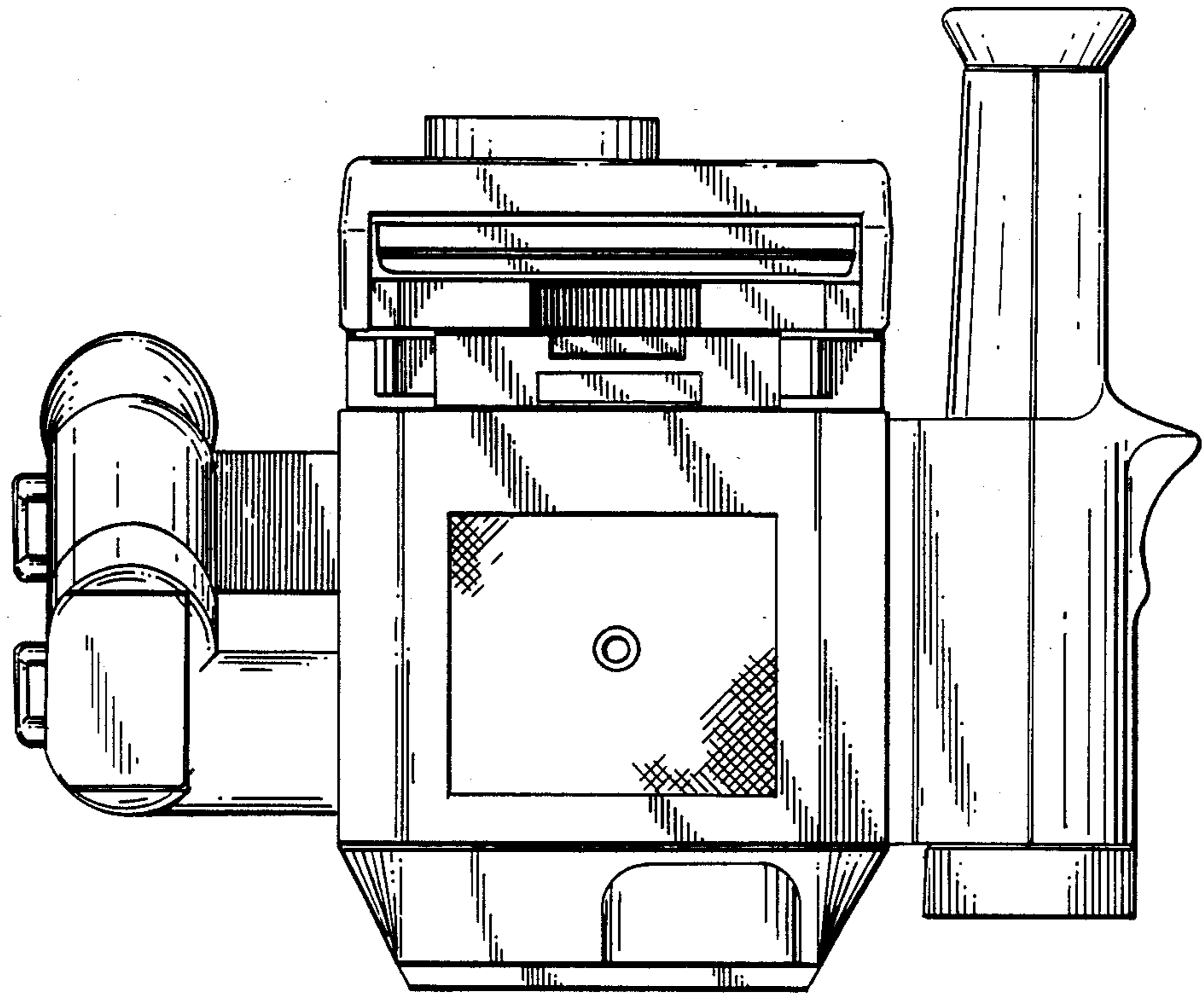


FIG 7