

[54] CAMERA HOUSING

1,814,727 7/1931 Milligan ..... 354/202

[75] Inventors: Scott Robinson, Northbrook; Hari Matsuda, Evanston, both of Ill.

[73] Assignee: W. Haking Enterprises Limited, North Point, Hong Kong

[\*] Notice: The portion of the term of this patent subsequent to Feb. 27, 2004 has been disclaimed.

[\*\*] Term: 14 Years

[21] Appl. No.: 900,377

[22] Filed: Aug. 29, 1986

[52] U.S. Cl. .... D16/200; D16/217; D16/218

[58] Field of Search ..... D16/200, 208, 209, 217, D16/218; 354/126, 127.1, 127.11, 149.11, 187, 202

[56] References Cited

U.S. PATENT DOCUMENTS

D. 145,982	11/1946	Mayer	.....	D16/218
D. 146,673	4/1947	May	.....	D16/218
D. 290,712	7/1987	Shis	.....	D16/209
D. 295,980	5/1988	Peterson et al.	.....	D16/211
D. 296,111	6/1988	Suyama	.....	D16/209

OTHER PUBLICATIONS

British Journal of Photography, 8/1985.

Primary Examiner—Charles A. Rademaker

Assistant Examiner—Adir Aronovich

Attorney, Agent, or Firm—Wallenstein, Wagner & Hattis, Ltd.

[57] CLAIM

The ornamental design for a camera housing, as shown and described.

DESCRIPTION

FIG. 1 is perspective view of a camera housing showing our new design;

FIG. 2 is a front elevational view thereof;

FIG. 3 is a top plan view thereof;

FIG. 4 is a rear elevational view thereof;

FIG. 5 is a bottom plan view thereof;

FIG. 6 is a side elevational view thereof; and

FIG. 7 is a side elevational view of the side opposite FIG. 6;

FIG. 8 is a perspective view of a second modified embodiment of the camera housing disclosed in FIG. 1;

FIG. 9 is a front elevational view thereof; and

FIG. 10 is a top plan view thereof.

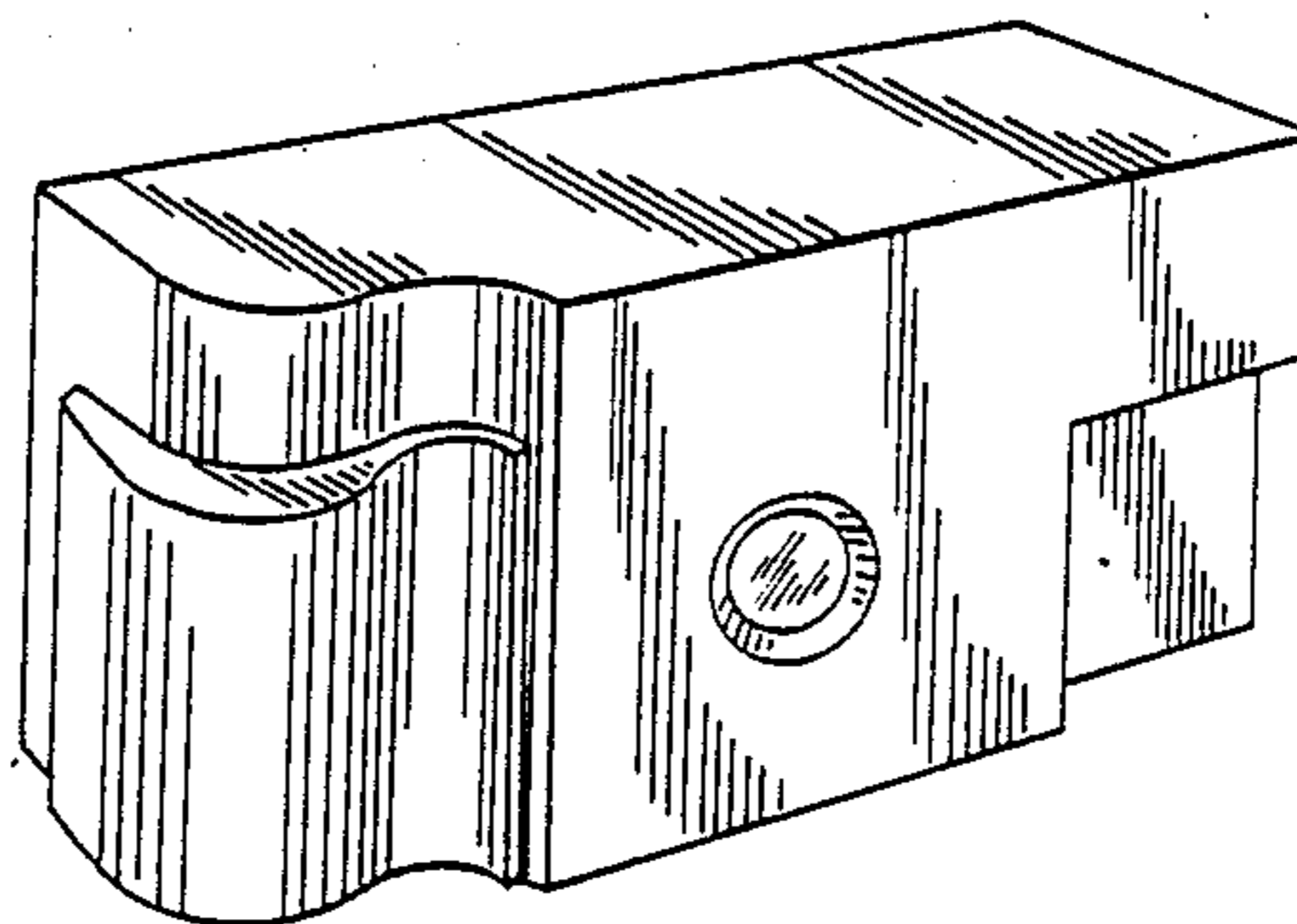
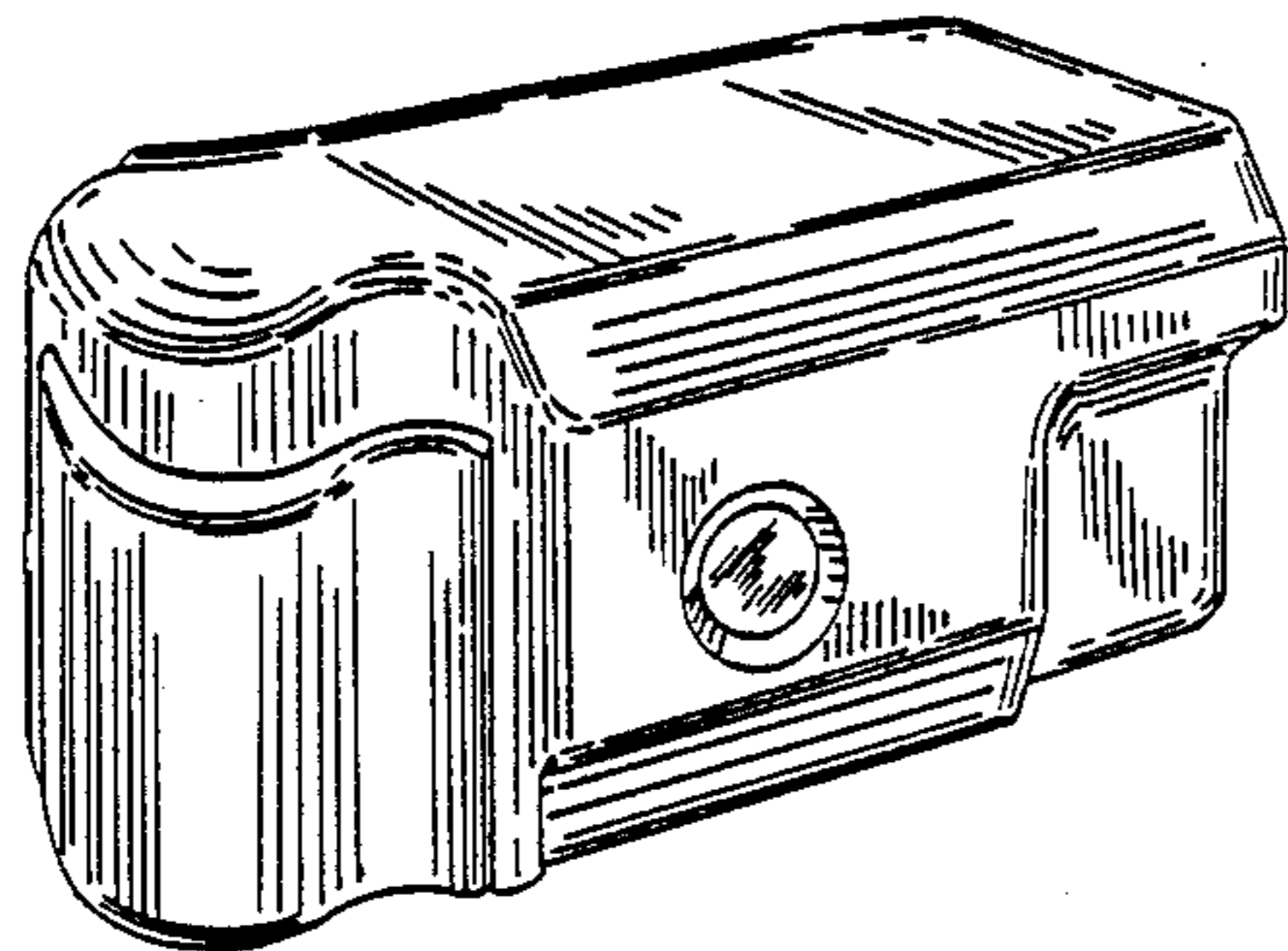


FIG. 1.

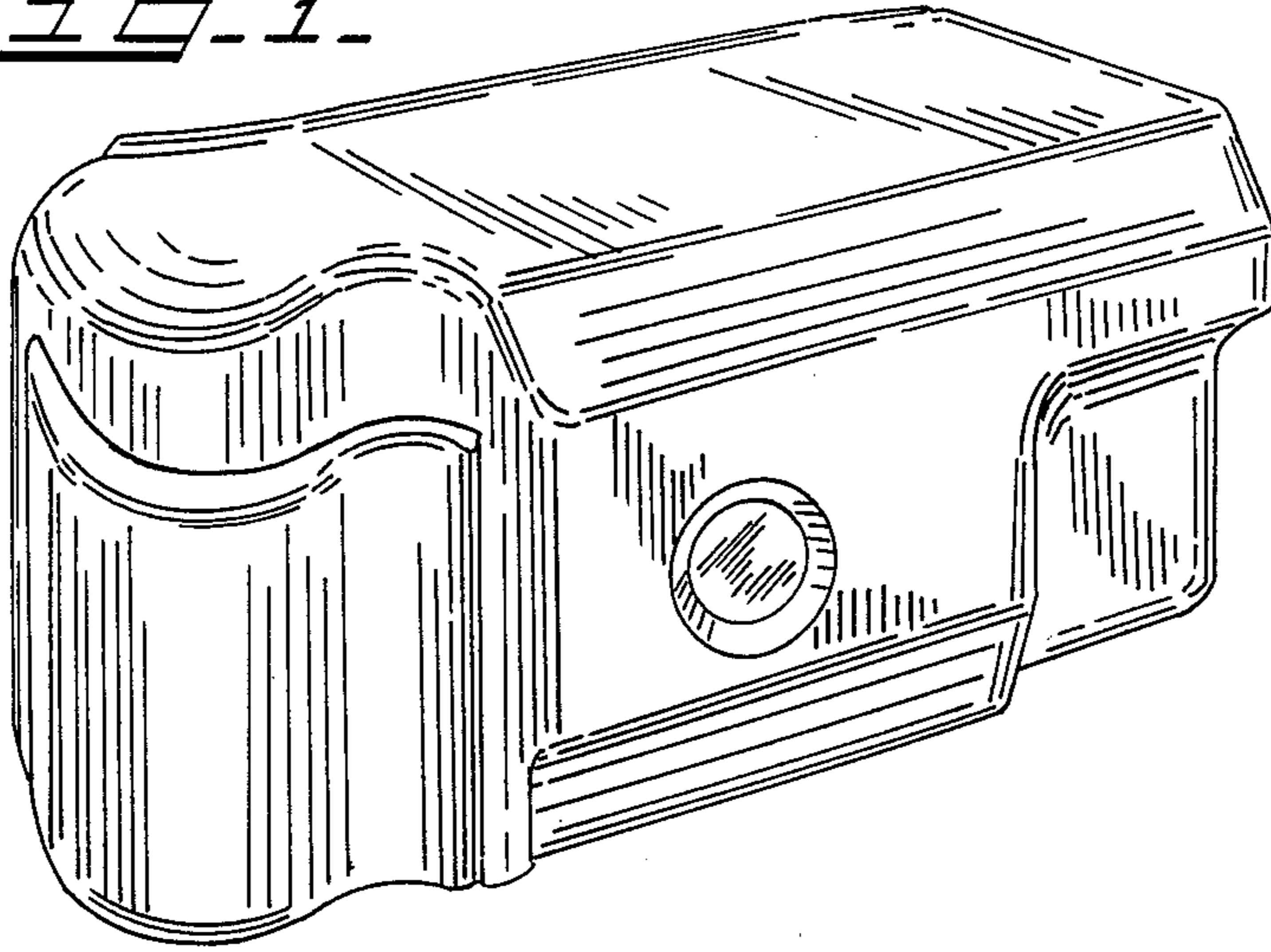


FIG. 2.

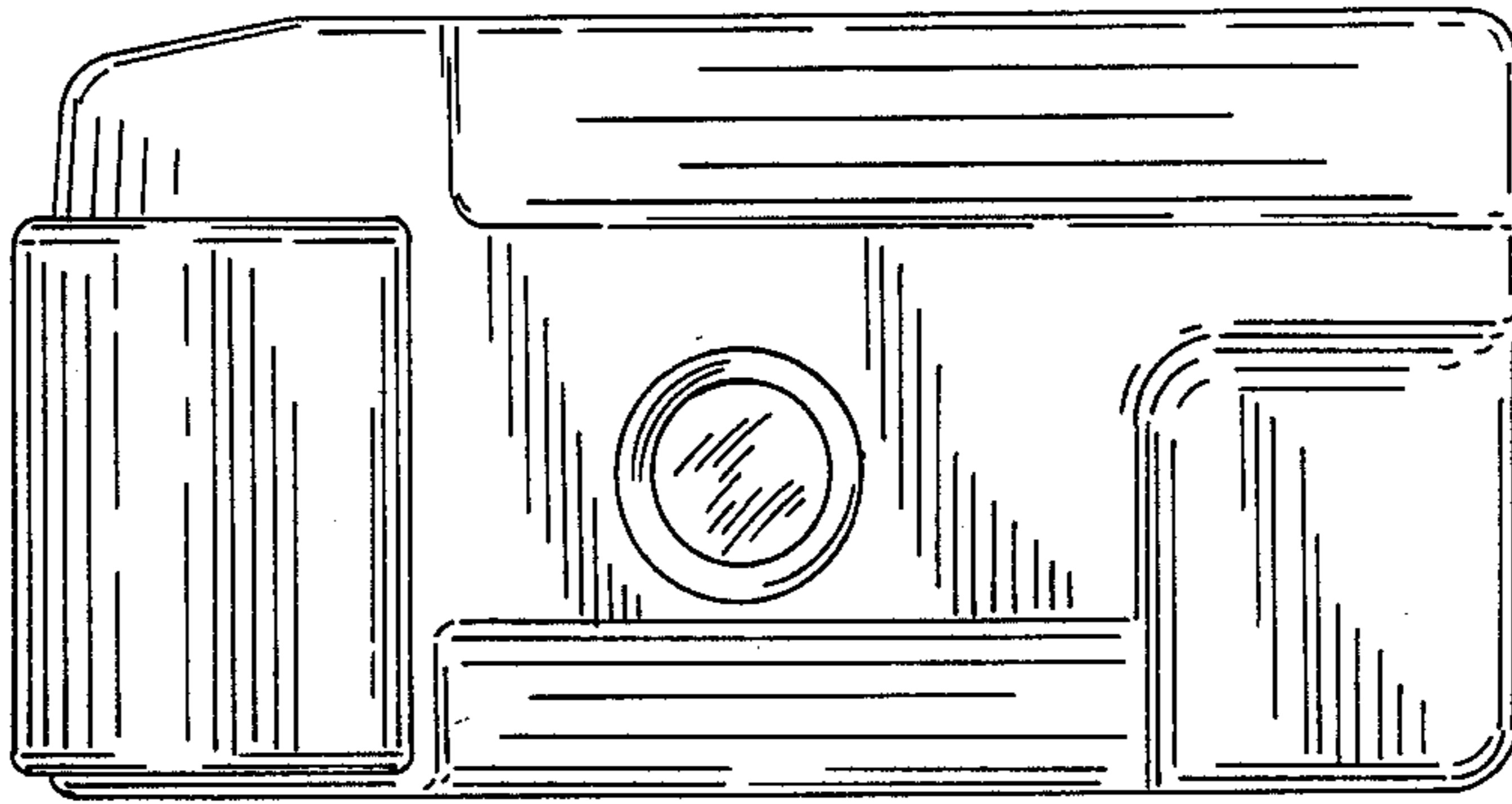


FIG. 3.

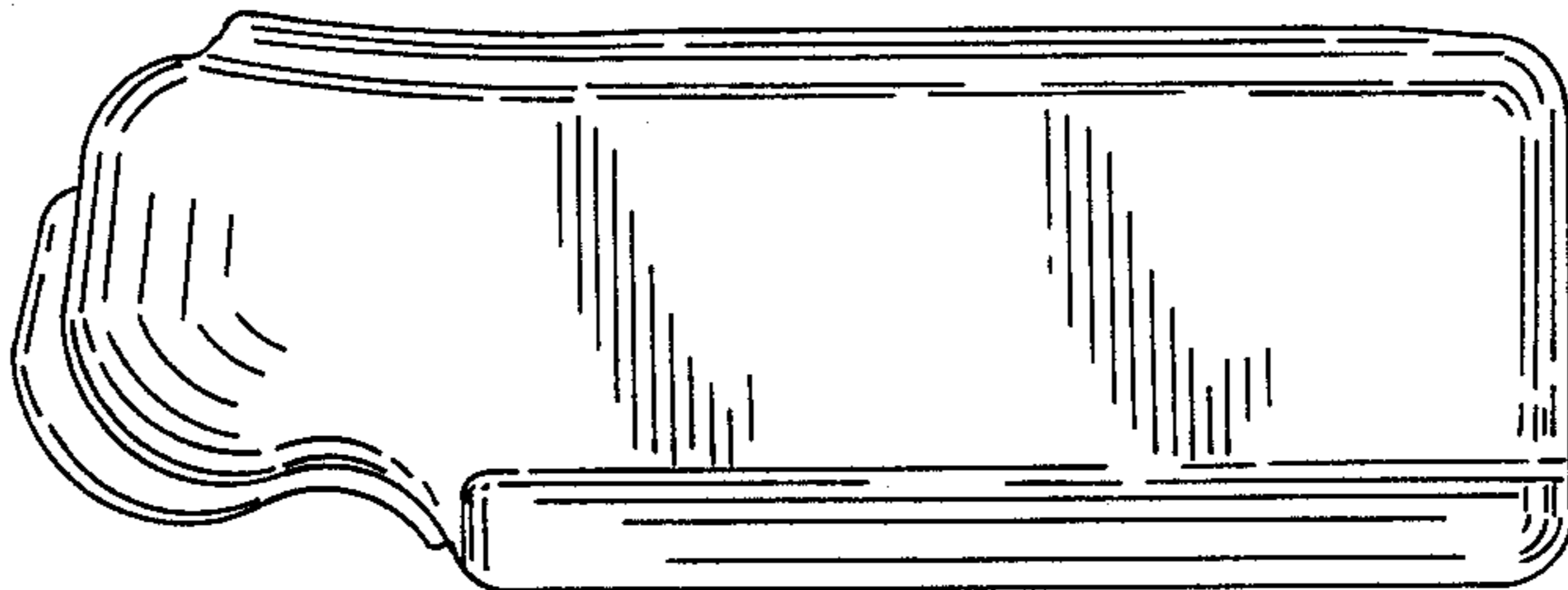


FIG. 4.

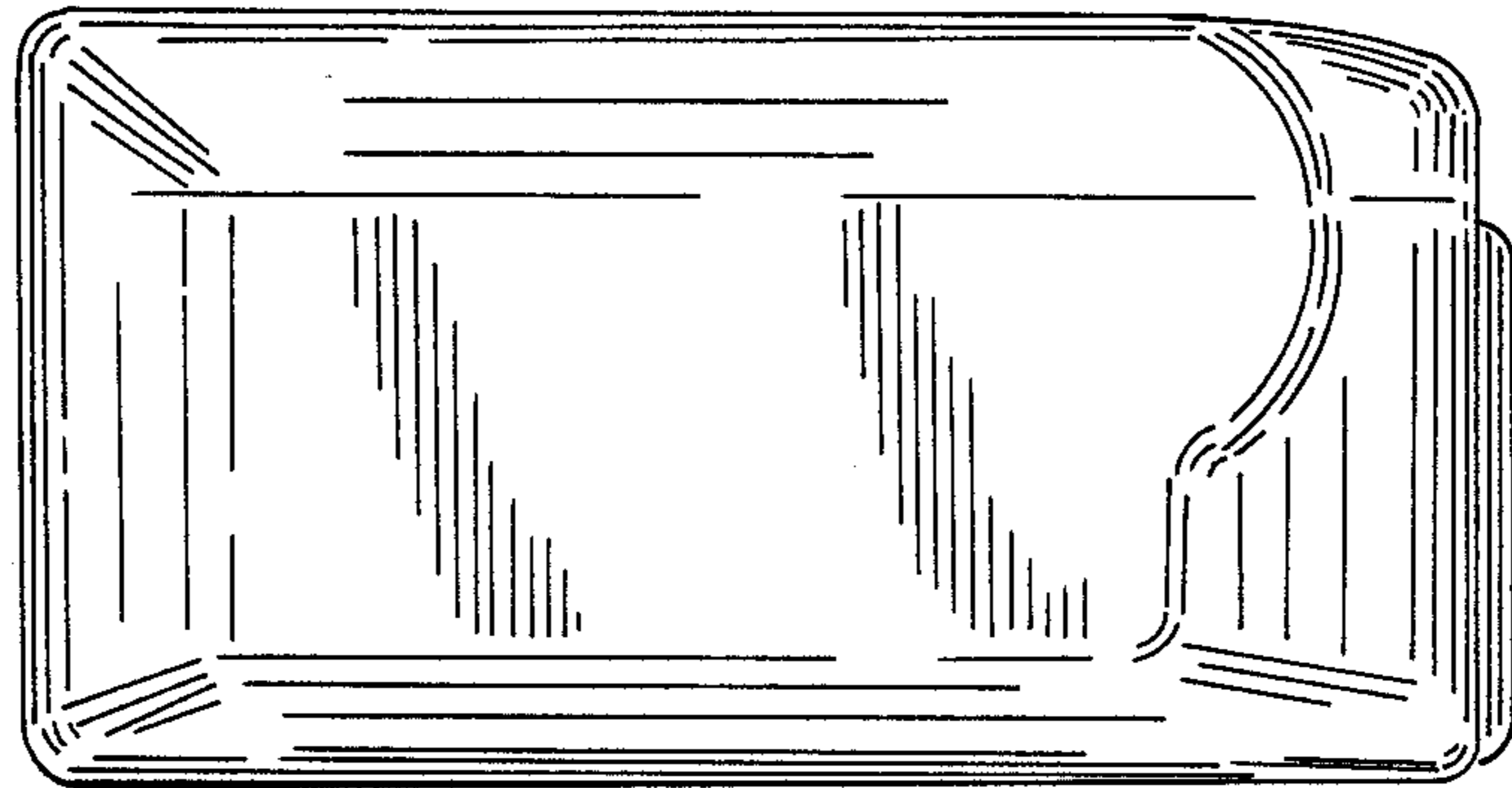


FIG. 5.

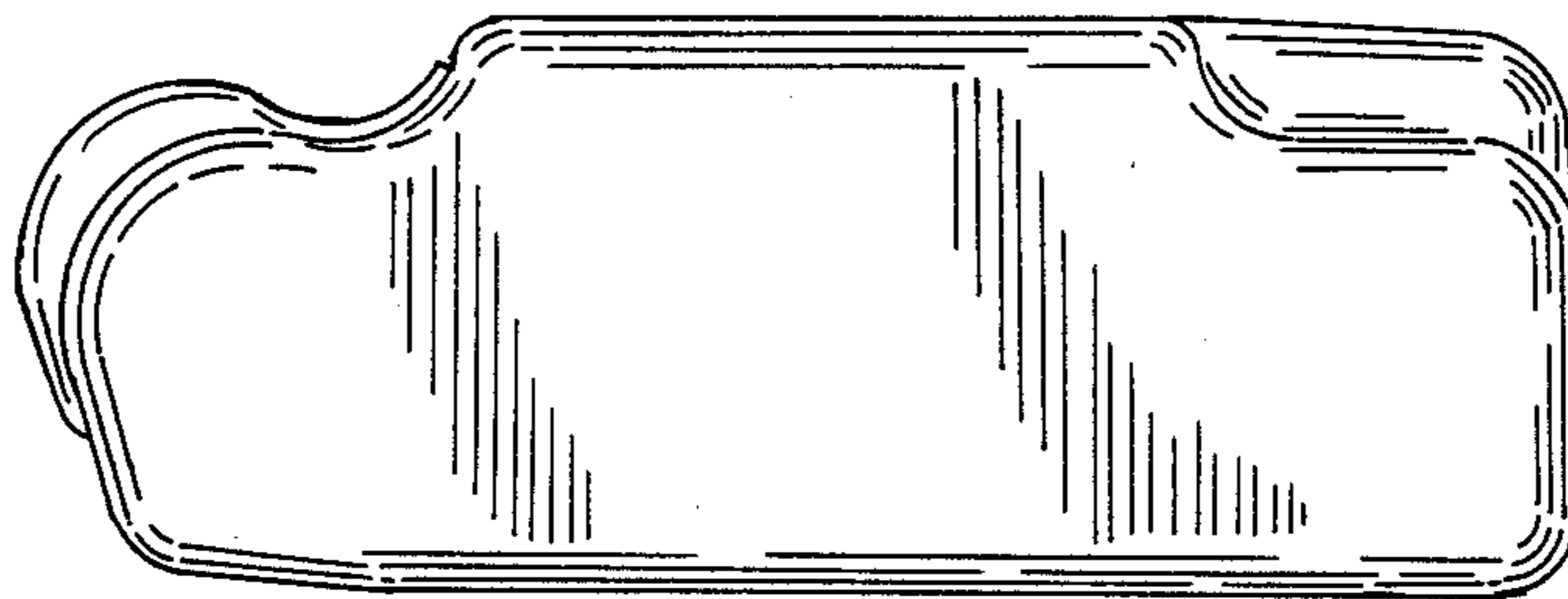


FIG. 6.

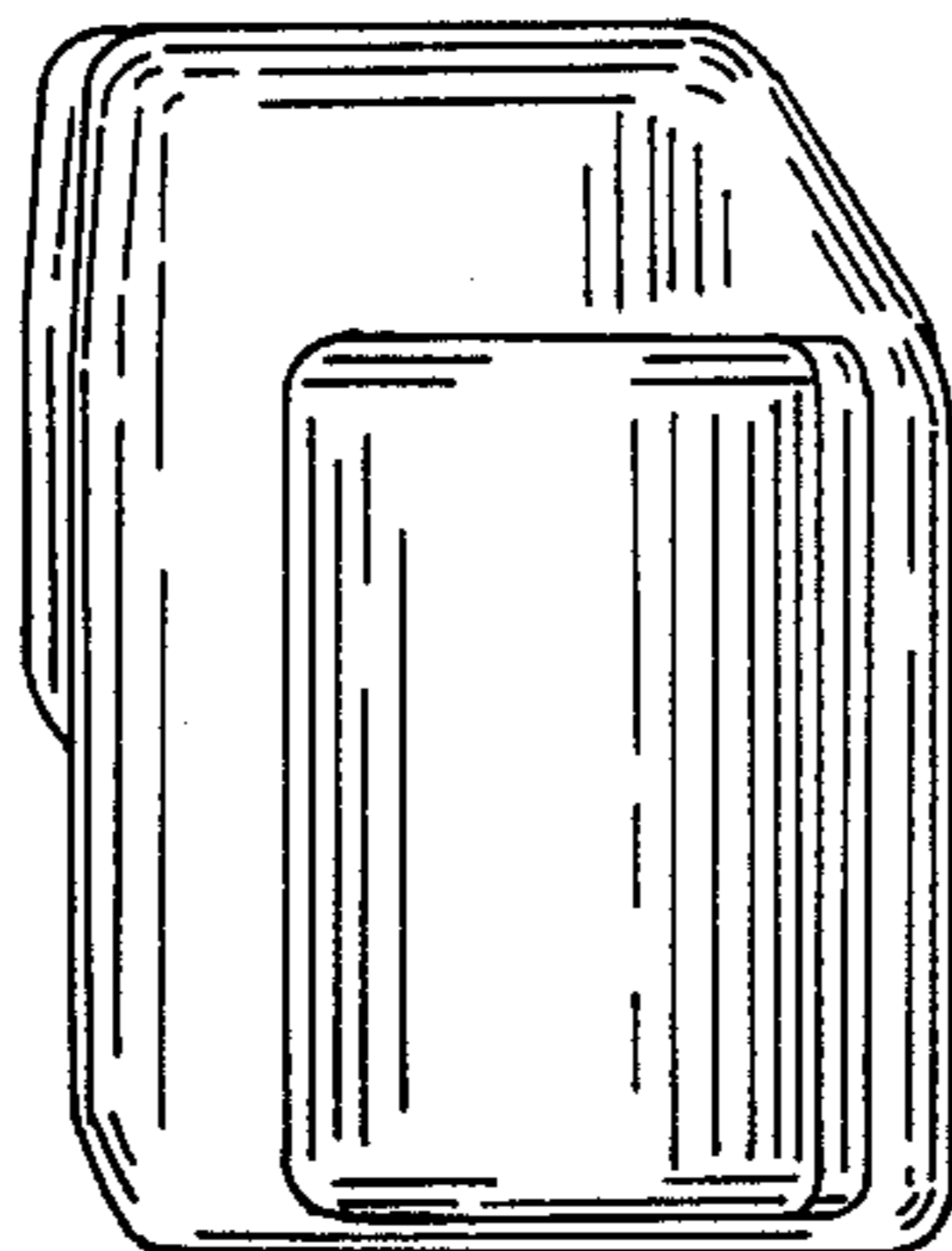


FIG. 7.

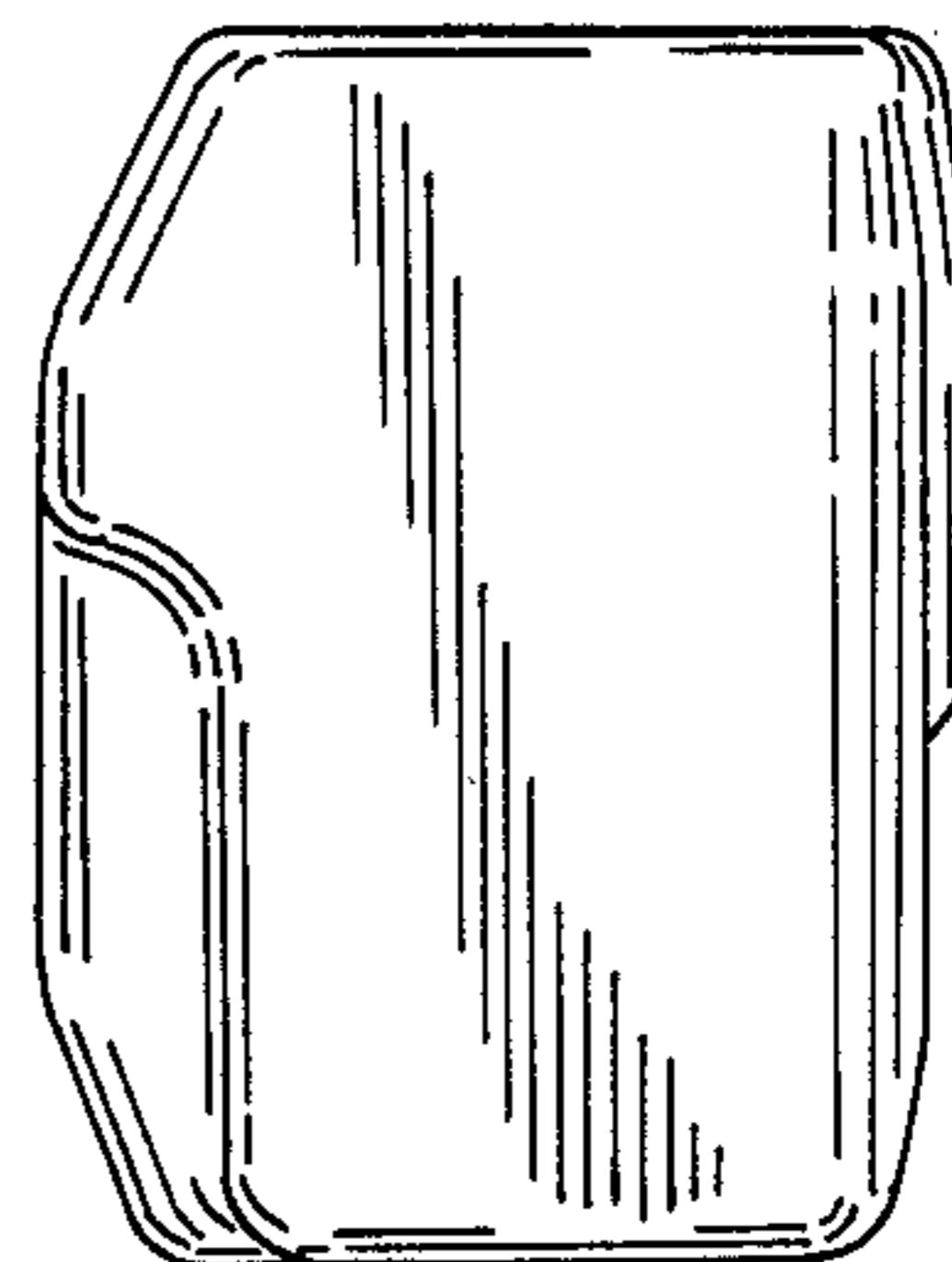


FIG. 8.

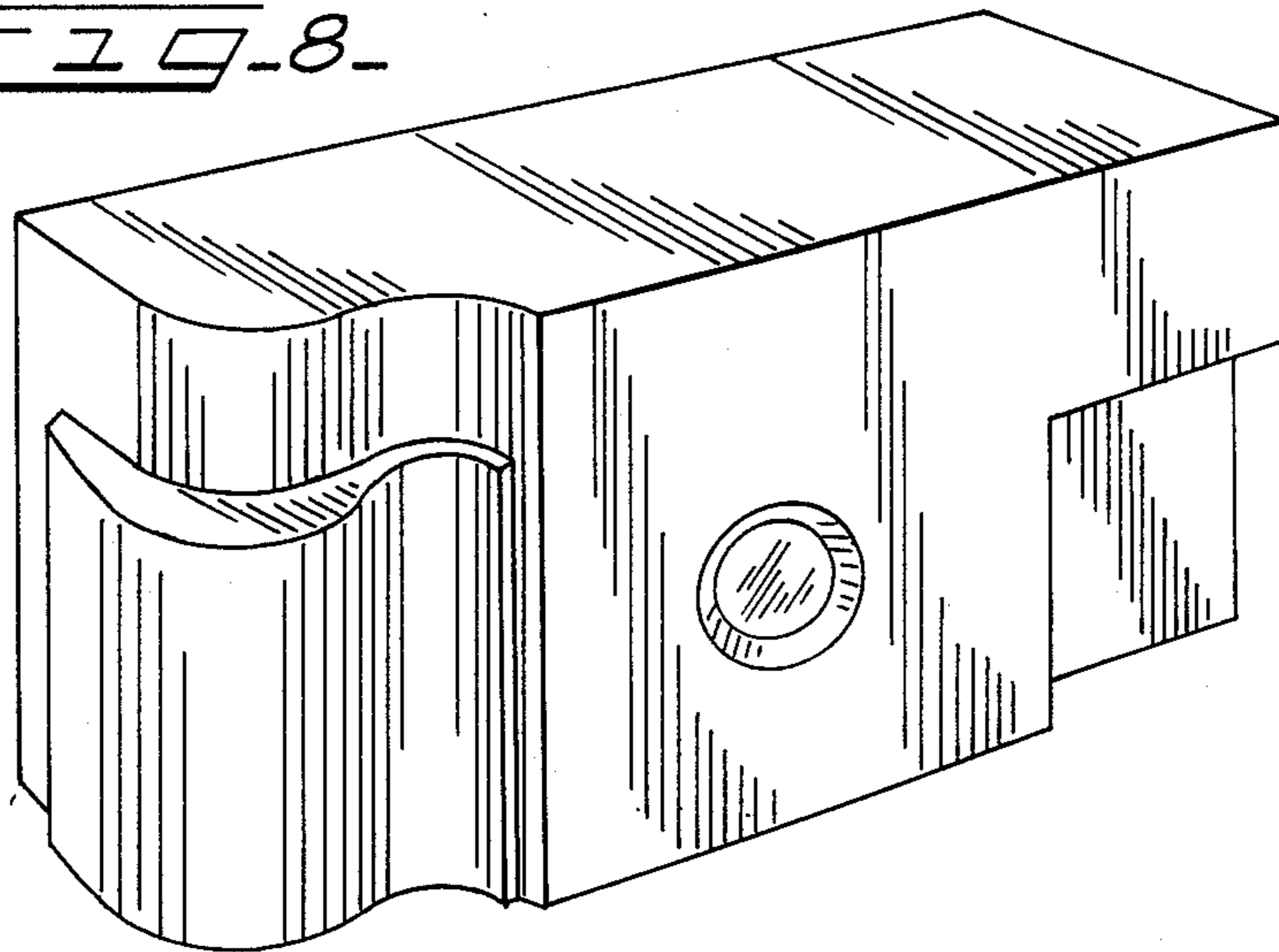


FIG. 9.

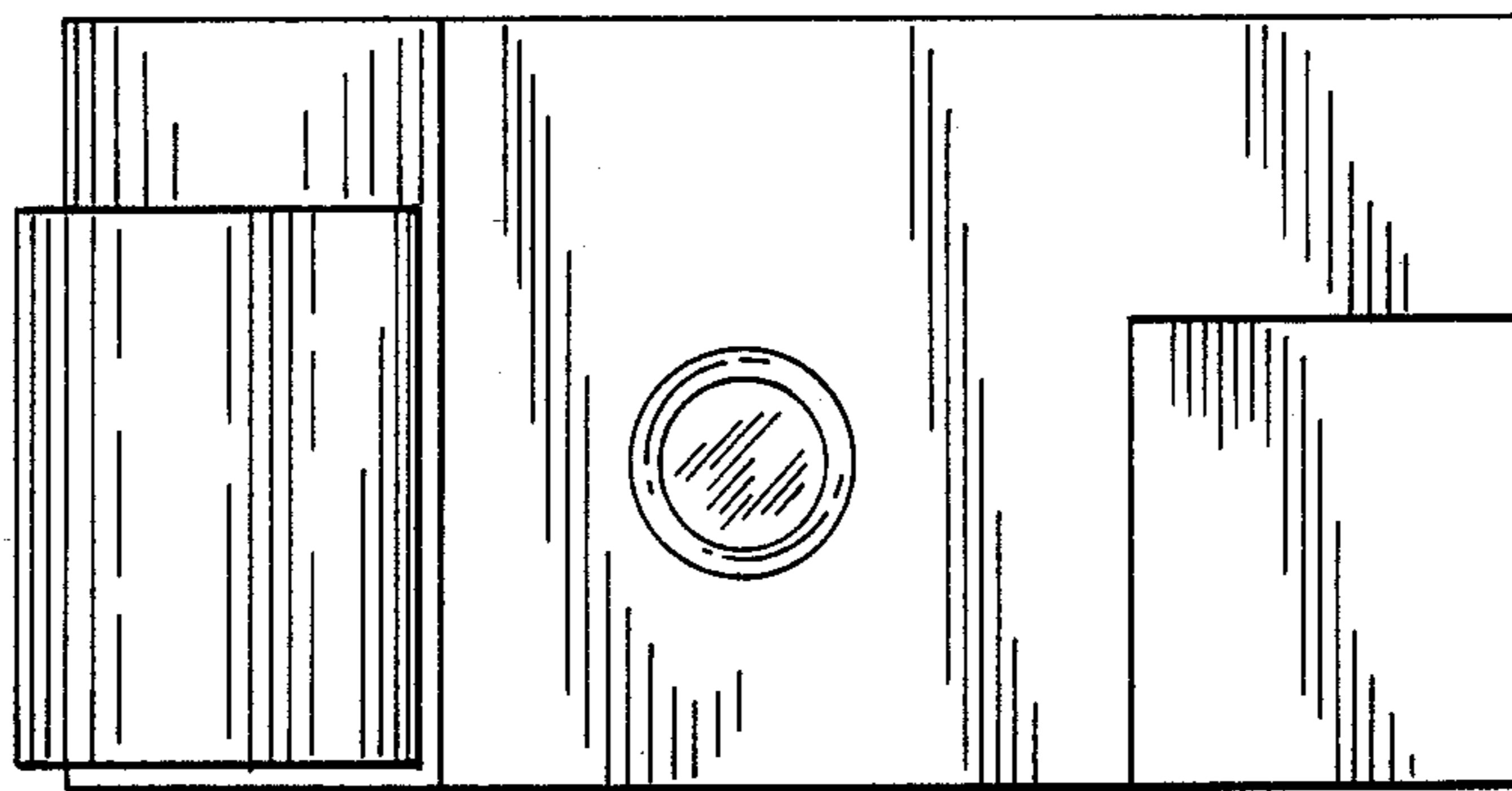


FIG. 10.

