

United States Patent [19]

Robinson et al.

[11] Patent Number: **Des. 306,305**

[45] Date of Patent: **** Feb. 27, 1990**

[54] **CAMERA HOUSING**

[75] Inventors: **Scott Robinson, Northbrook; Hari Matsuda, Evanston, both of Ill.**

[73] Assignee: **W. Haking Enterprises Limited, North Point, Hong Kong**

[*] Notice: The portion of the term of this patent subsequent to Feb. 27, 2004 has been disclaimed.

[**] Term: **14 Years**

[21] Appl. No.: **900,378**

[22] Filed: **Aug. 29, 1986**

[52] U.S. Cl. **D16/200; D16/217; D16/218**

[58] Field of Search **D16/200, 208, 209, 217, D16/218; 354/126, 127.1, 127.11, 149.11, 187, 202**

[56] **References Cited**

U.S. PATENT DOCUMENTS

- D. 145,982 11/1946 Mayer D16/218
- D. 146,673 4/1947 May D16/218
- D. 178,923 10/1956 Johnson D16/218

- D. 290,712 7/1987 Shis D16/209
- D. 295,980 5/1988 Peterson et al. D16/211
- D. 296,111 6/1988 Suyama D16/209
- 1,814,727 7/1931 Milligan 354/202

OTHER PUBLICATIONS

British Journal of Photography, 8/1985.

Primary Examiner—Charles A. Rademaker

Assistant Examiner—Adir Aronovich

Attorney, Agent, or Firm—Wallenstein, Wagner & Hattis, Ltd.

[57] **CLAIM**

The ornamental design for a camera housing, as shown and described.

DESCRIPTION

FIG. 1 is a perspective view of camera housing showing our new design;

FIG. 2 is a front elevational view thereof;

FIG. 3 is a top plan view thereof;

FIG. 4 is a rear elevational view thereof;

FIG. 5 is a bottom plan view thereof;

FIG. 6 is a side elevational view thereof; and

FIG. 7 is a side elevational view of the side opposite FIG. 6.

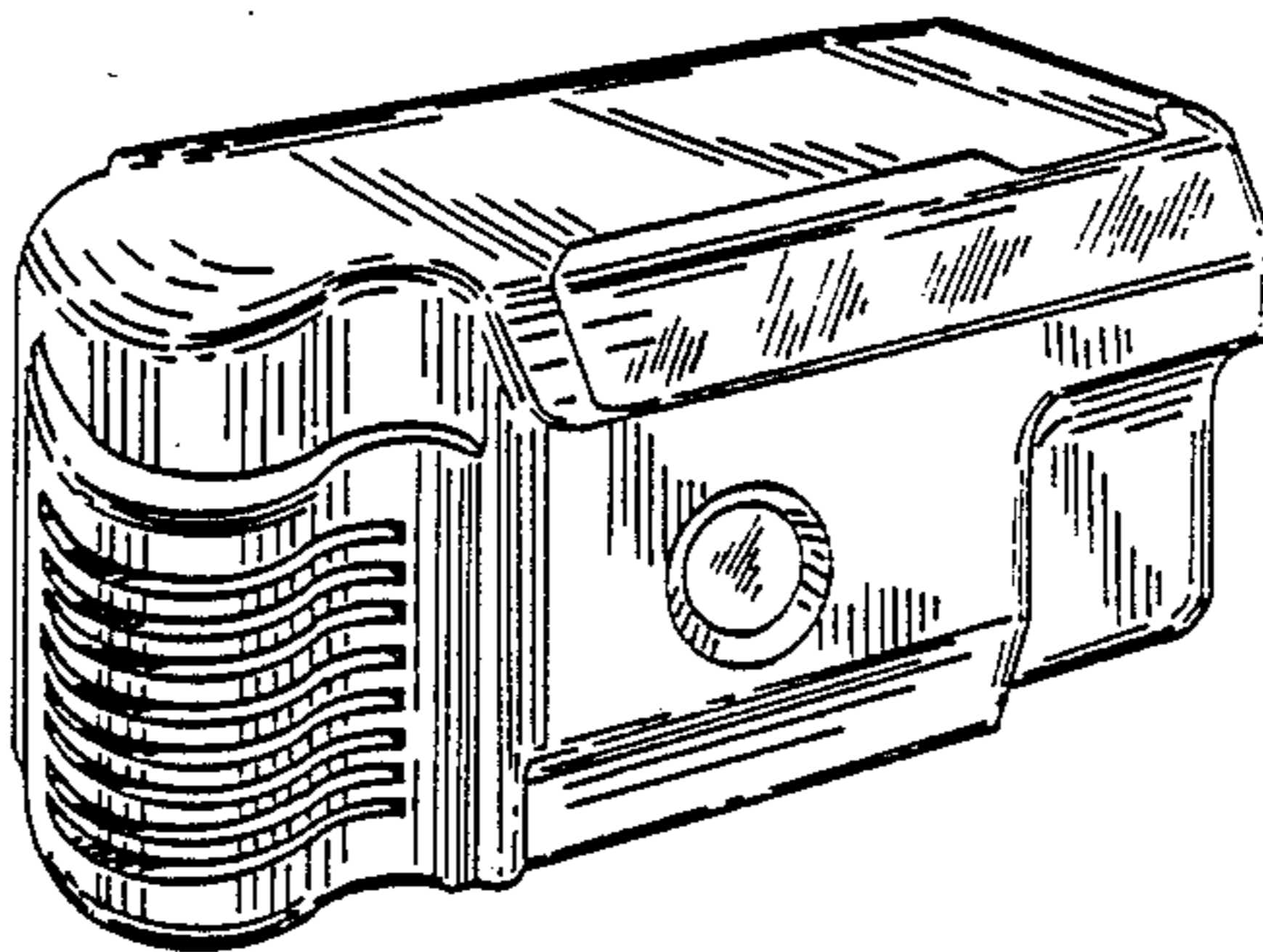


FIG. 1.

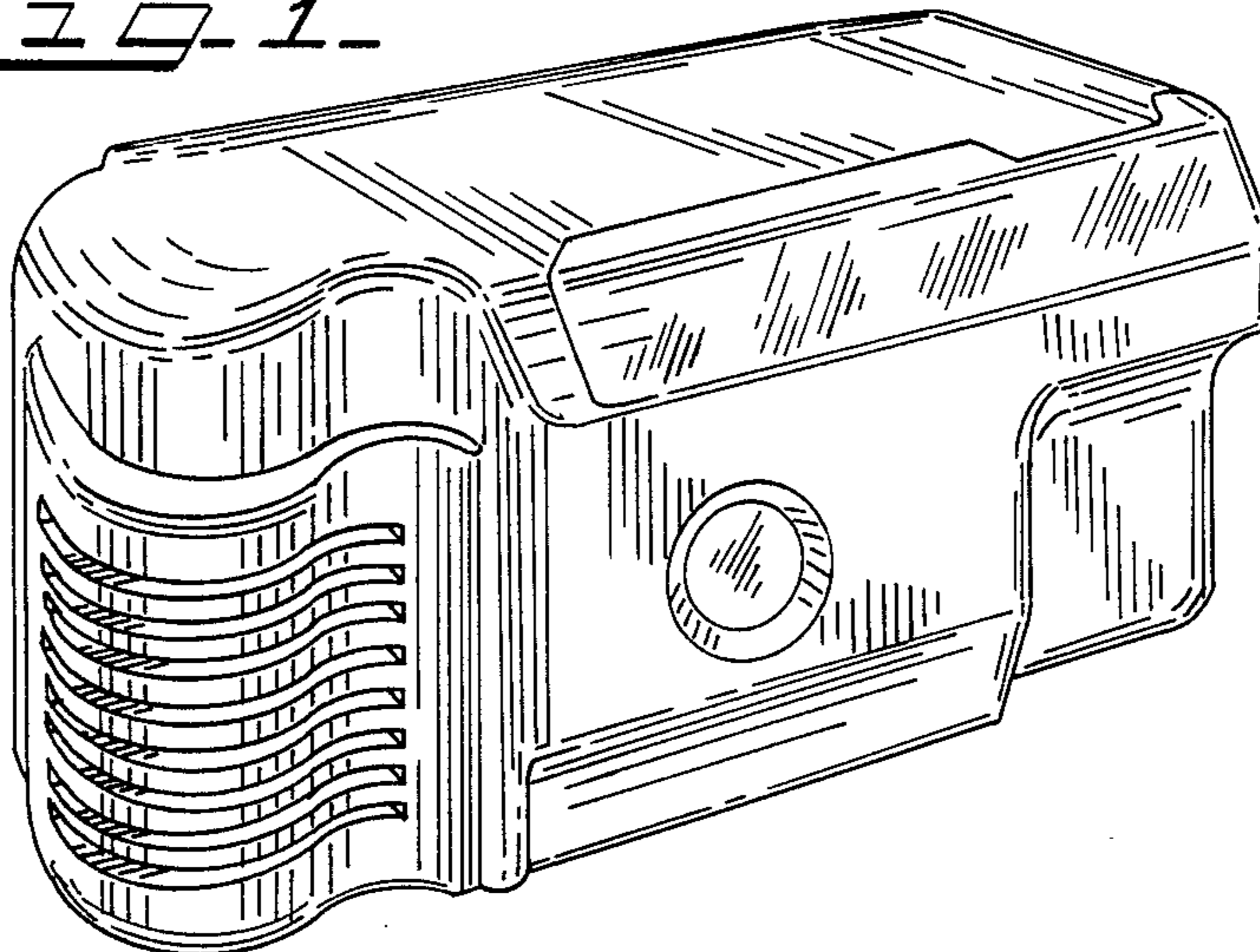


FIG. 2.

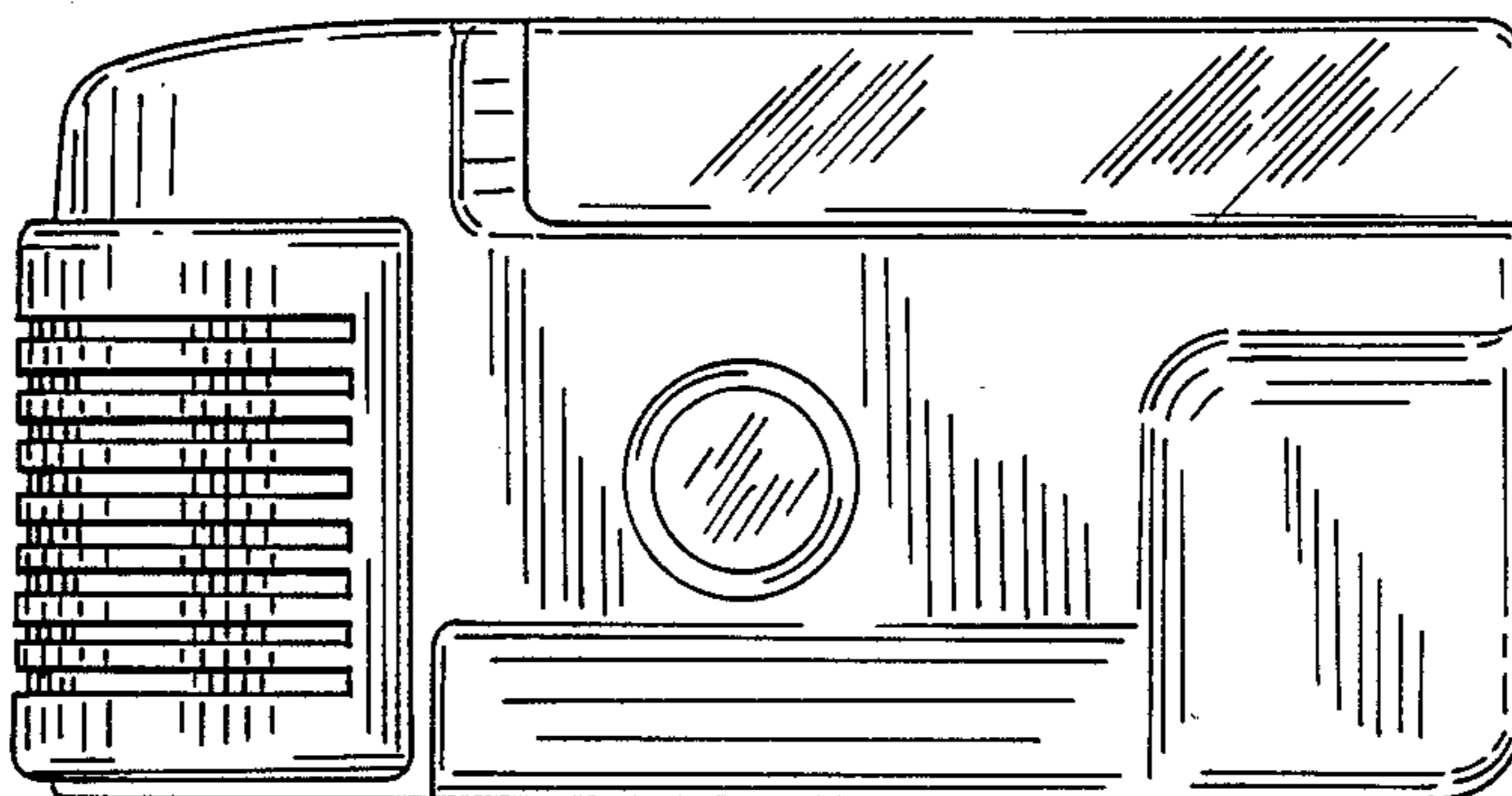


FIG. 3.

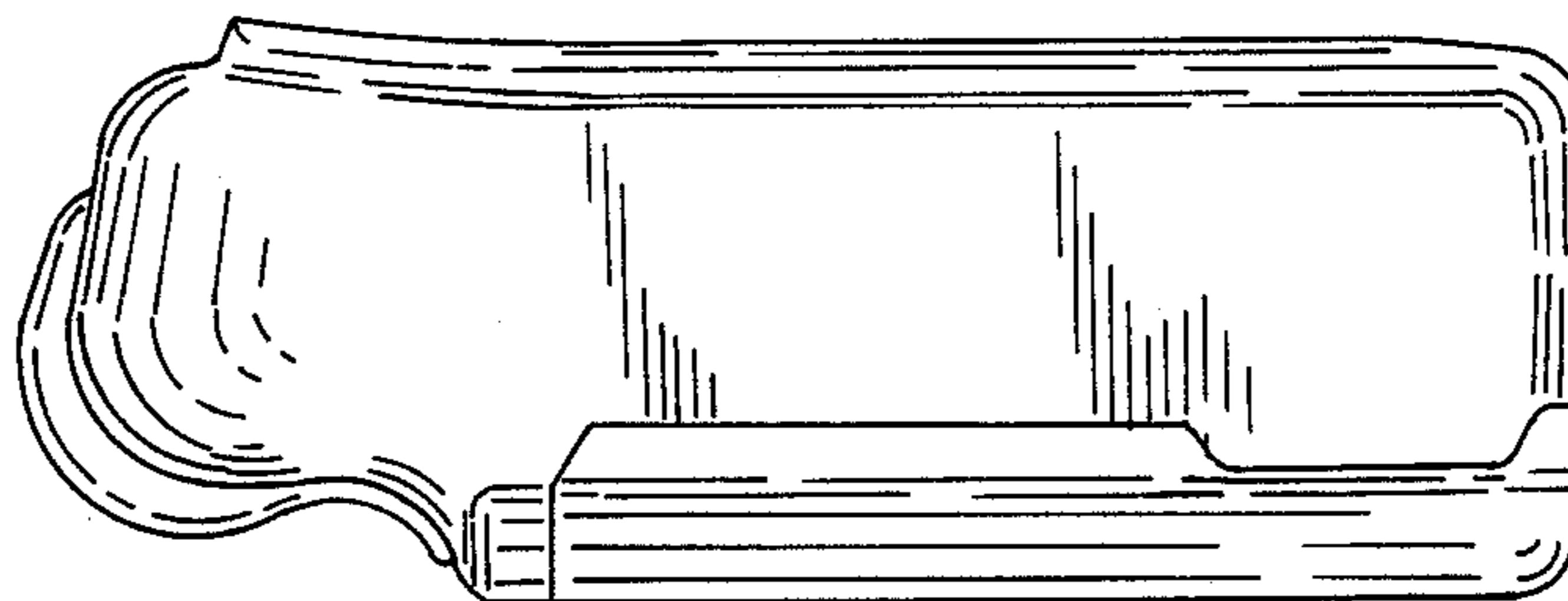


FIG. 4.

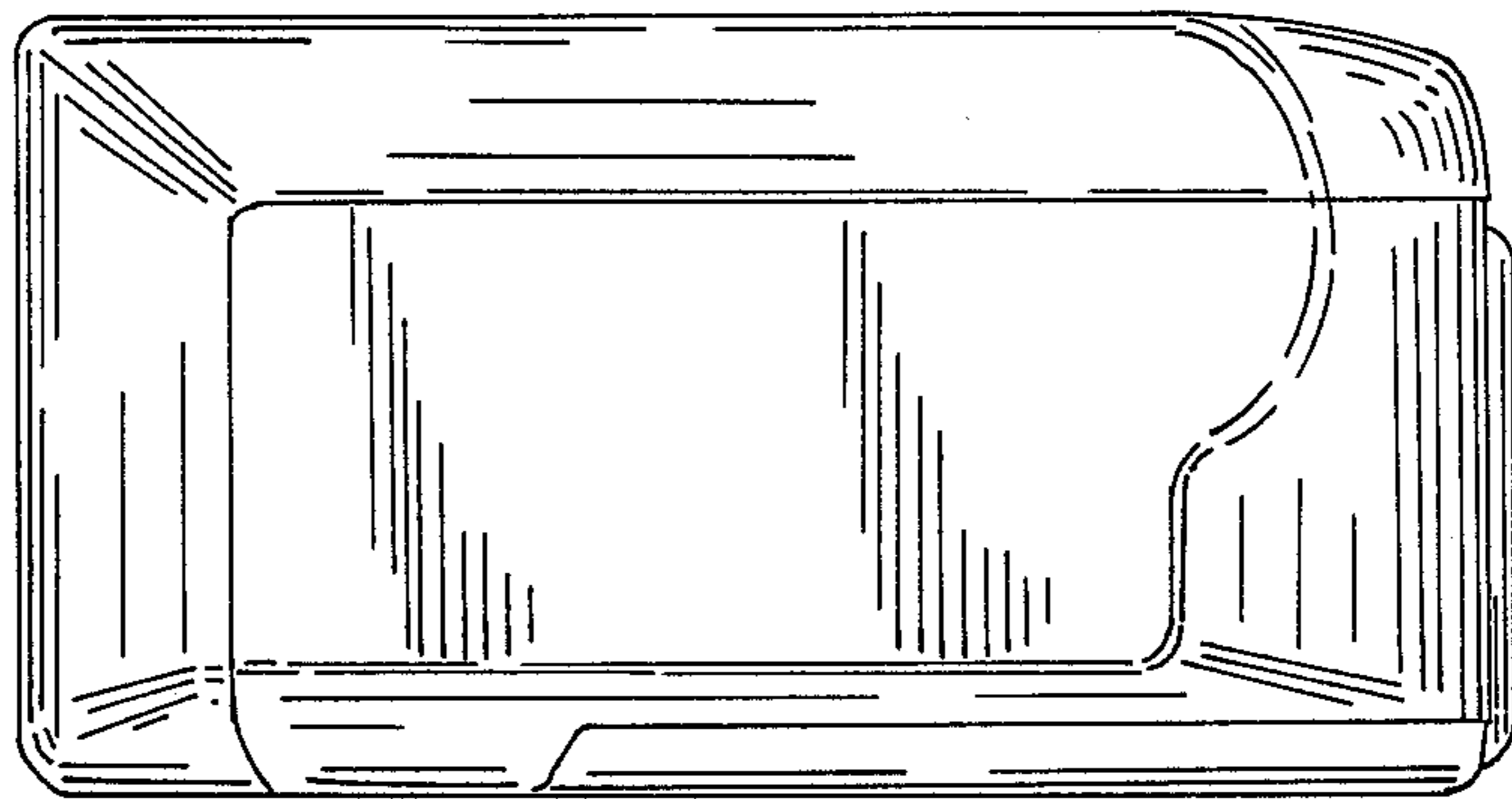


FIG. 5.

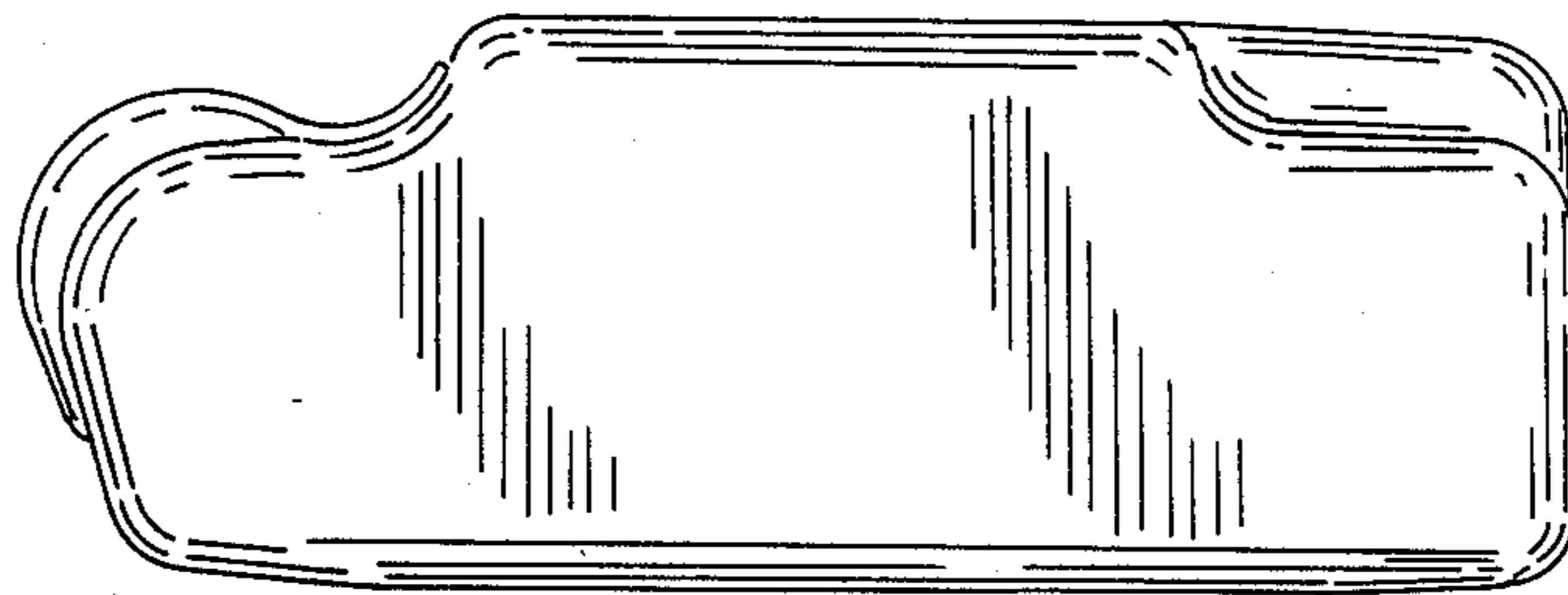


FIG. 6.

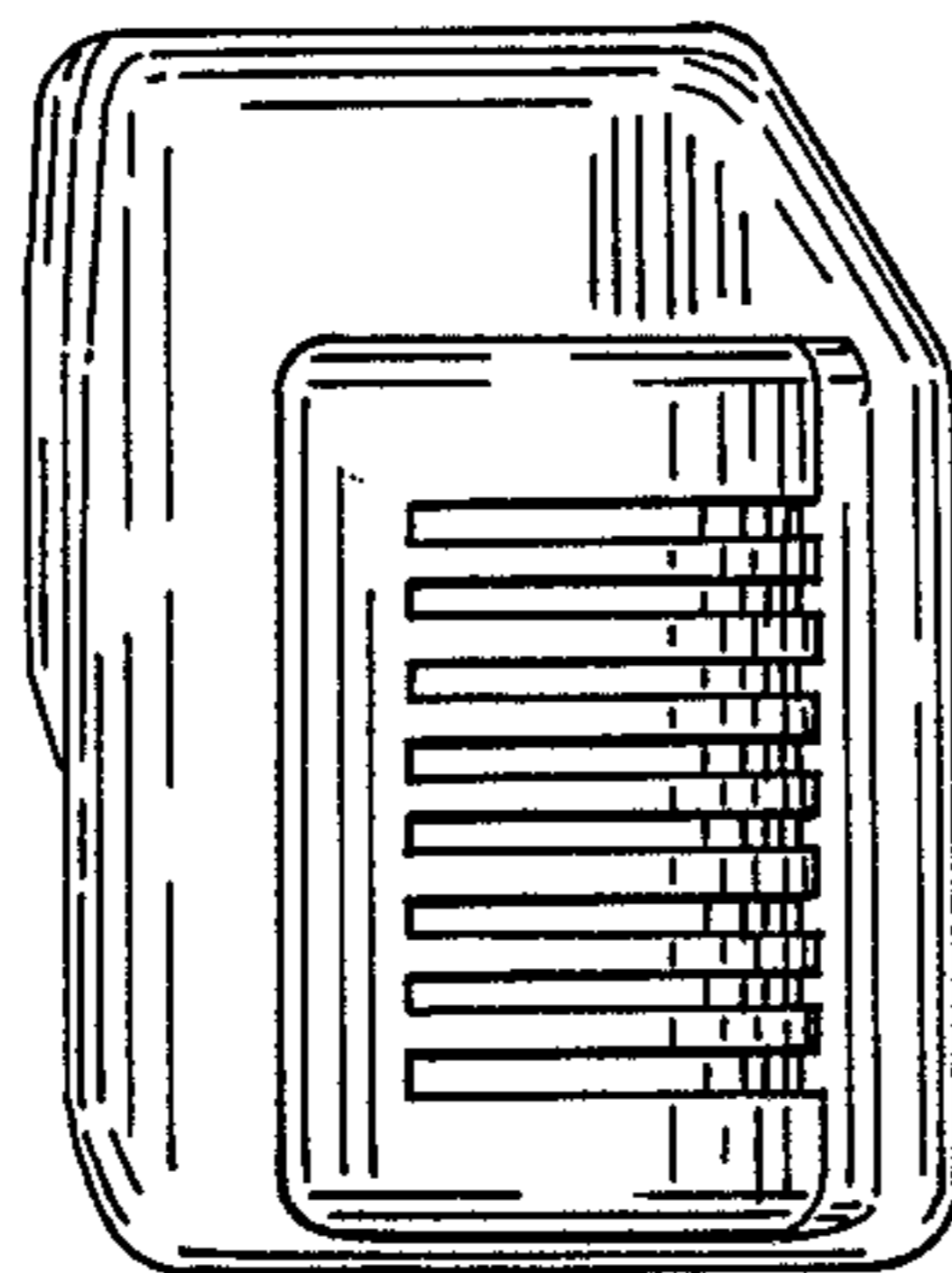


FIG. 7.

