

[54] LIGHT EMITTING SIGHT DEVICE USED WITH WEAPON-TYPE AMUSEMENT DEVICES

[75] Inventor: Daryl J. Tichy, Orem, Utah

[73] Assignee: Tradimex International Inc., Orem, Utah

[**] Term: 14 Years

[21] Appl. No.: 225,145

[22] Filed: Jul. 28, 1988

[52] U.S. Cl. D16/130; D16/132

[58] Field of Search D16/130, 132; D21/147; D22/104, 109; 33/245, 241; 353/42, 43; 362/110, 111, 112, 113; 42/103, 59; 350/147

[56] References Cited

U.S. PATENT DOCUMENTS

D. 228,027	7/1973	Heckel et al.	D16/132
D. 260,667	9/1981	McAlpin et al.	D21/147
2,844,710	7/1958	Zinsser	42/103 X
4,079,534	3/1978	Snyder	362/110 X
4,161,076	7/1979	Snyder	362/113 X

FOREIGN PATENT DOCUMENTS

796891 6/1958 United Kingdom 33/241

Primary Examiner—A. Hugo Word
Assistant Examiner—Doris V. Coles
Attorney, Agent, or Firm—Richard C. Litman

[57] CLAIM

The ornamental design for a light emitting sight device used with weapon-type amusement devices, as shown and described.

DESCRIPTION

FIG. 1 is a perspective view of a light emitting sight device used with weapon-type amusement devices, showing my new design, the broken lines showing of a toy gun is for illustrative purposes only and forms no part of the claimed design;

FIG. 2 is a left side elevational view thereof, the right side being a mirror image thereof;

FIG. 3 is a top plan view thereof;

FIG. 4 is a bottom plan view thereof;

FIG. 5 is a front elevational view thereof; and

FIG. 6 is a rear elevational view thereof.

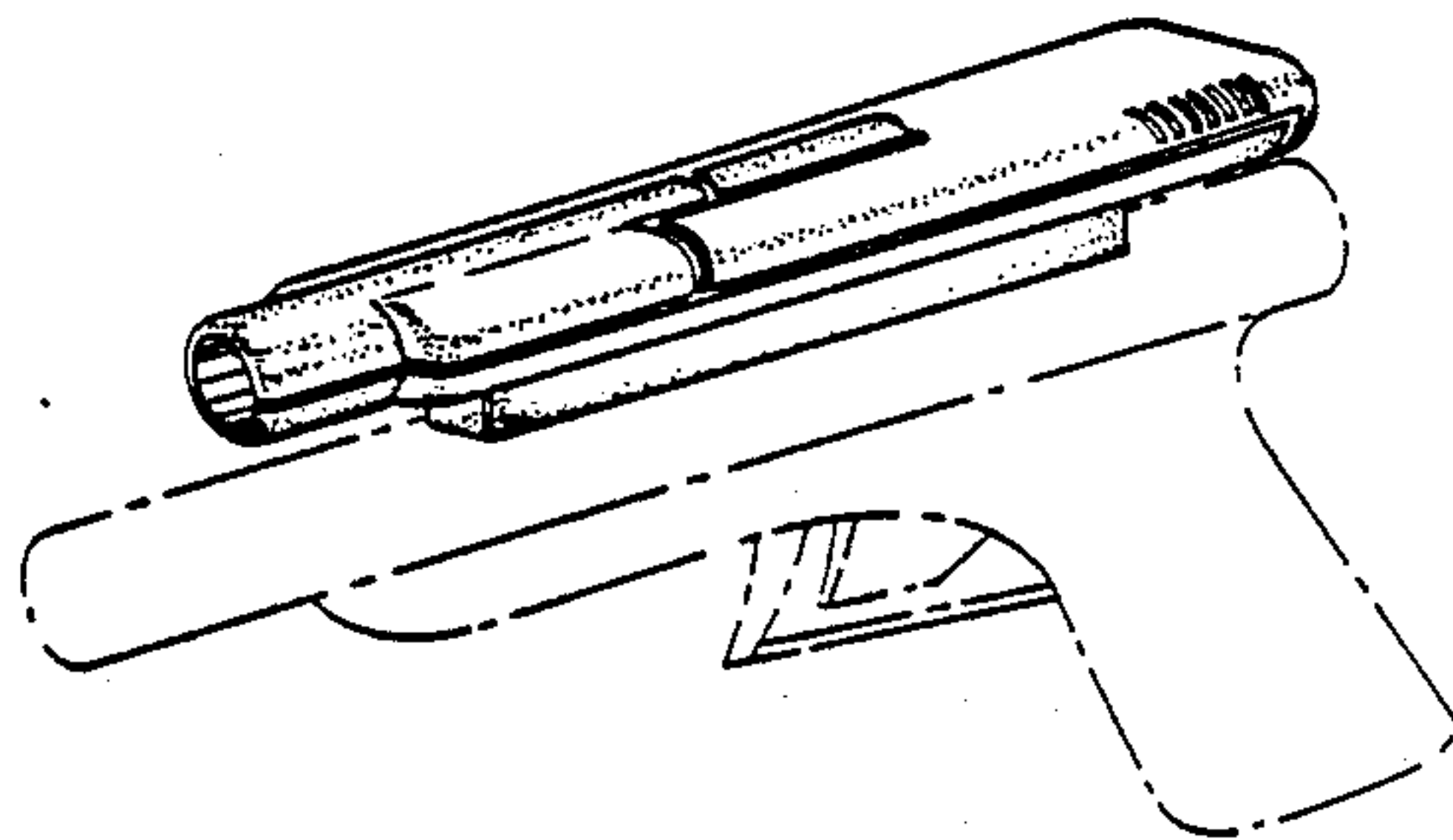


FIG - 1

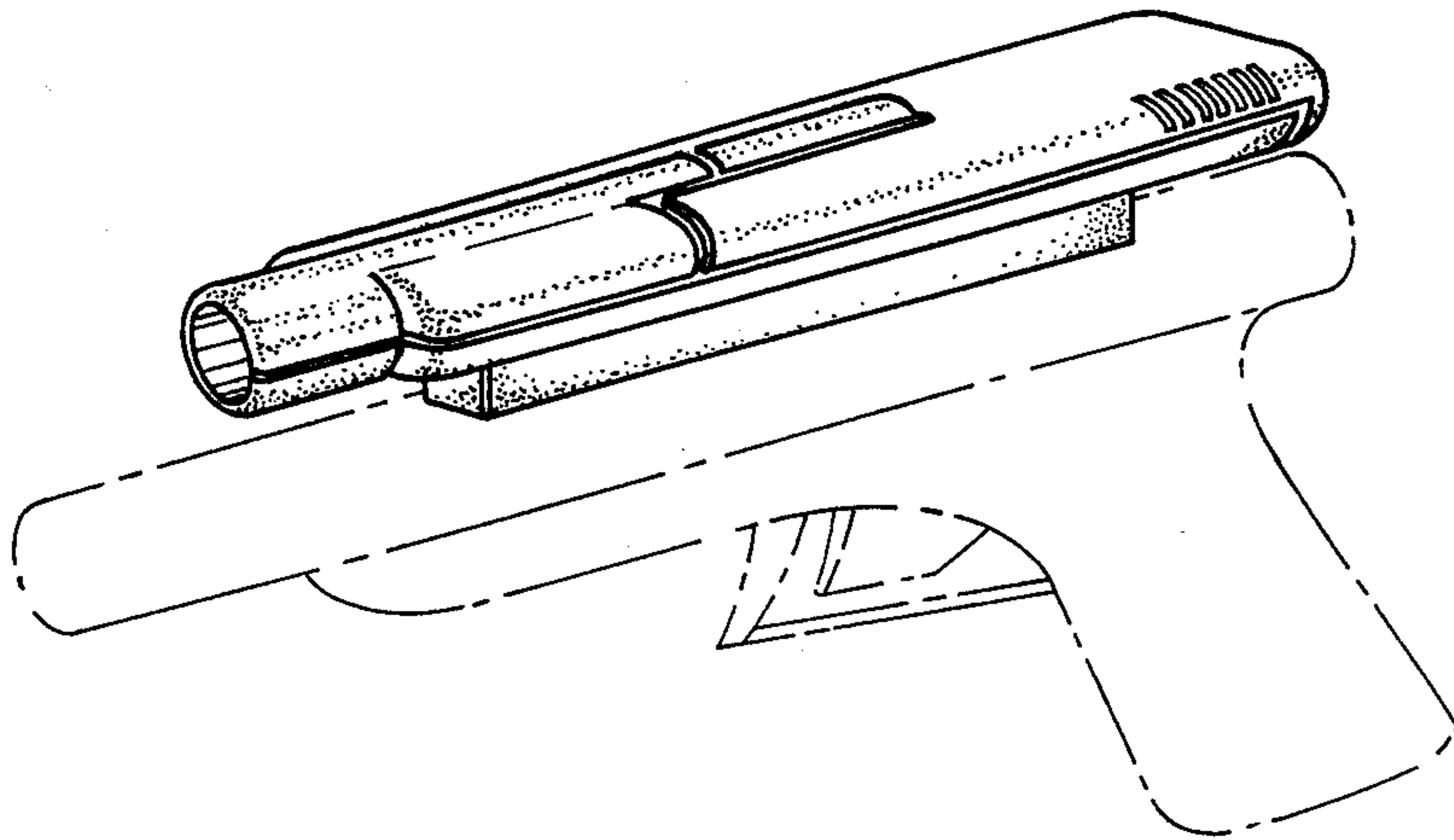


FIG - 2

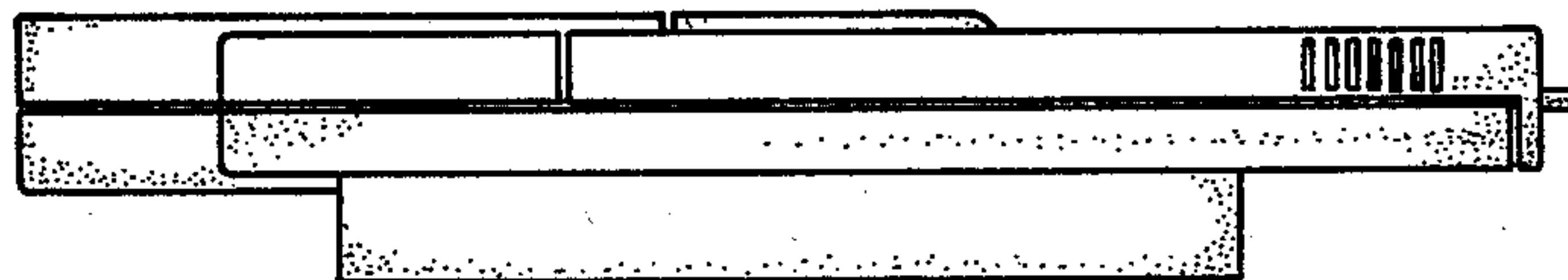


FIG - 3

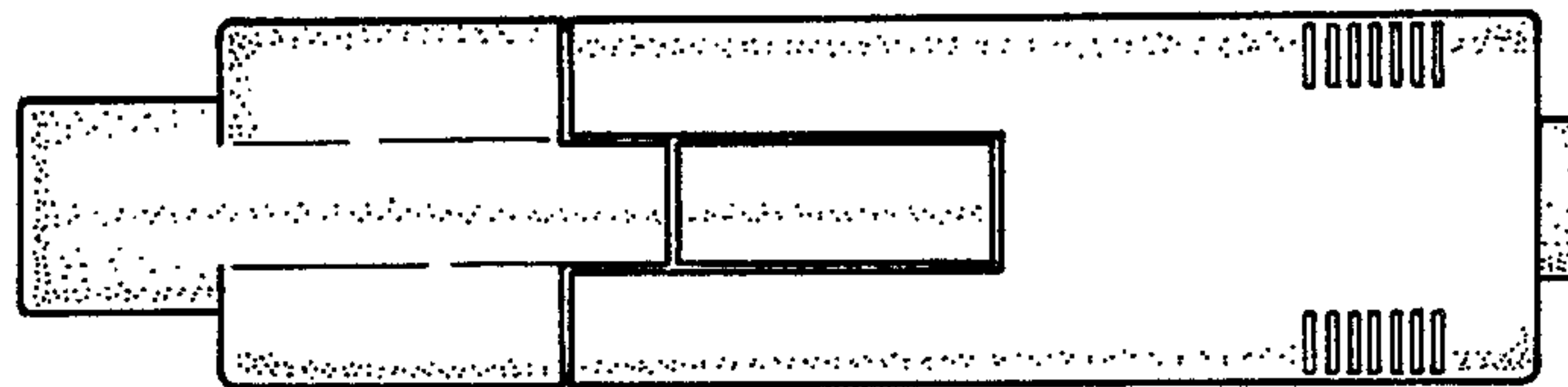


FIG - 4

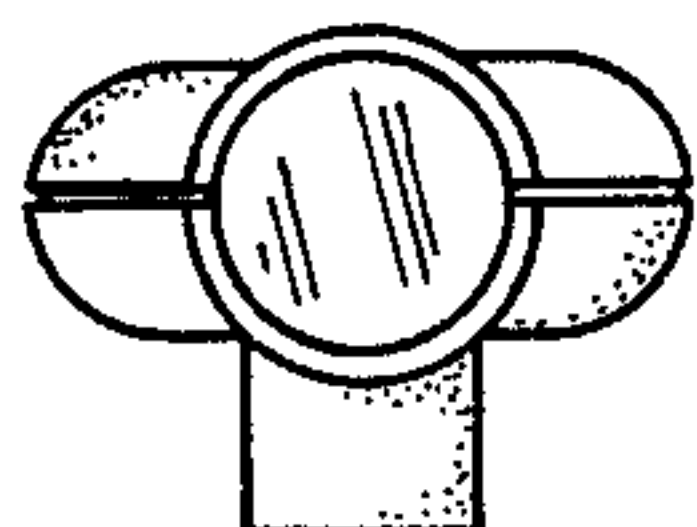
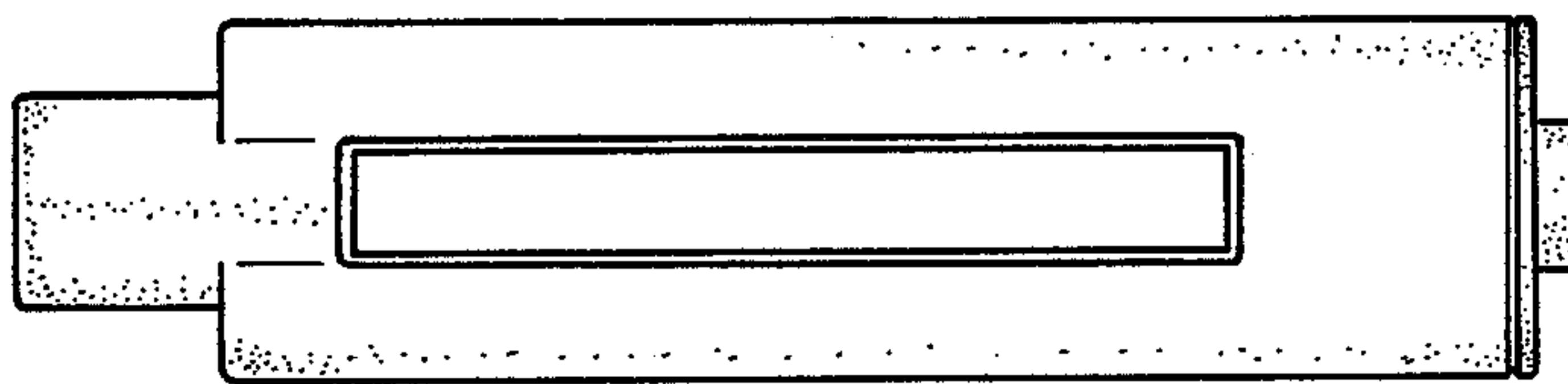


FIG - 5

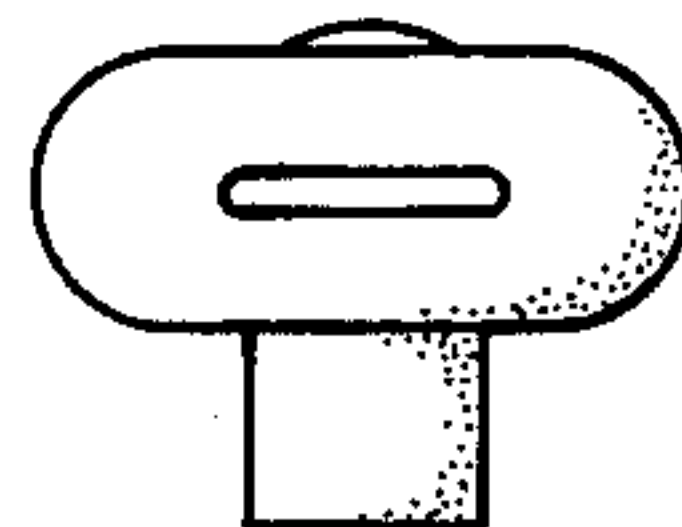


FIG - 6