

[54] LAMINATING DEVICE FOR IDENTIFICATION CARDS OR THE LIKE

D. 185,069 5/1959 Crowle et al. D15/199
D. 197,152 12/1963 Plantholt D16/246
D. 210,104 2/1968 Plantholt D16/246
D. 218,484 8/1970 Kuhns D15/146

[75] Inventor: Shigekazu Takeda, Tokyo, Japan

Primary Examiner—Nelson C. Holtje
Assistant Examiner—Jeffrey Asch
Attorney, Agent, or Firm—Wenderoth, Lind & Ponack

[73] Assignee: Fuji Plastic Kikai Kabushiki Kaisha, Tokyo, Japan

[**] Term: 14 Years

[57] CLAIM

[21] Appl. No.: 102,643

The ornamental design for a laminating device for identification cards, or the like, as shown.

[22] Filed: Sep. 30, 1987

DESCRIPTION

[30] Foreign Application Priority Data

Apr. 2, 1987 [JP] Japan 62-12420

FIG. 1 is a front, top, and left side perspective view of a laminating device for identification cards or the like showing my new design;

[52] U.S. Cl. D15/199; D14/146

FIG. 2 is a front elevational view;

[58] Field of Search D15/199, 146, 145; D16/246

FIG. 3 is a rear elevational view;

[56] References Cited

U.S. PATENT DOCUMENTS

D. 184,003 12/1958 Carver D15/146

FIG. 4 is a right side elevational view;

FIG. 5 is a left side elevational view;

FIG. 6 is a top plan view; and,

FIG. 7 is a bottom plan view thereof.

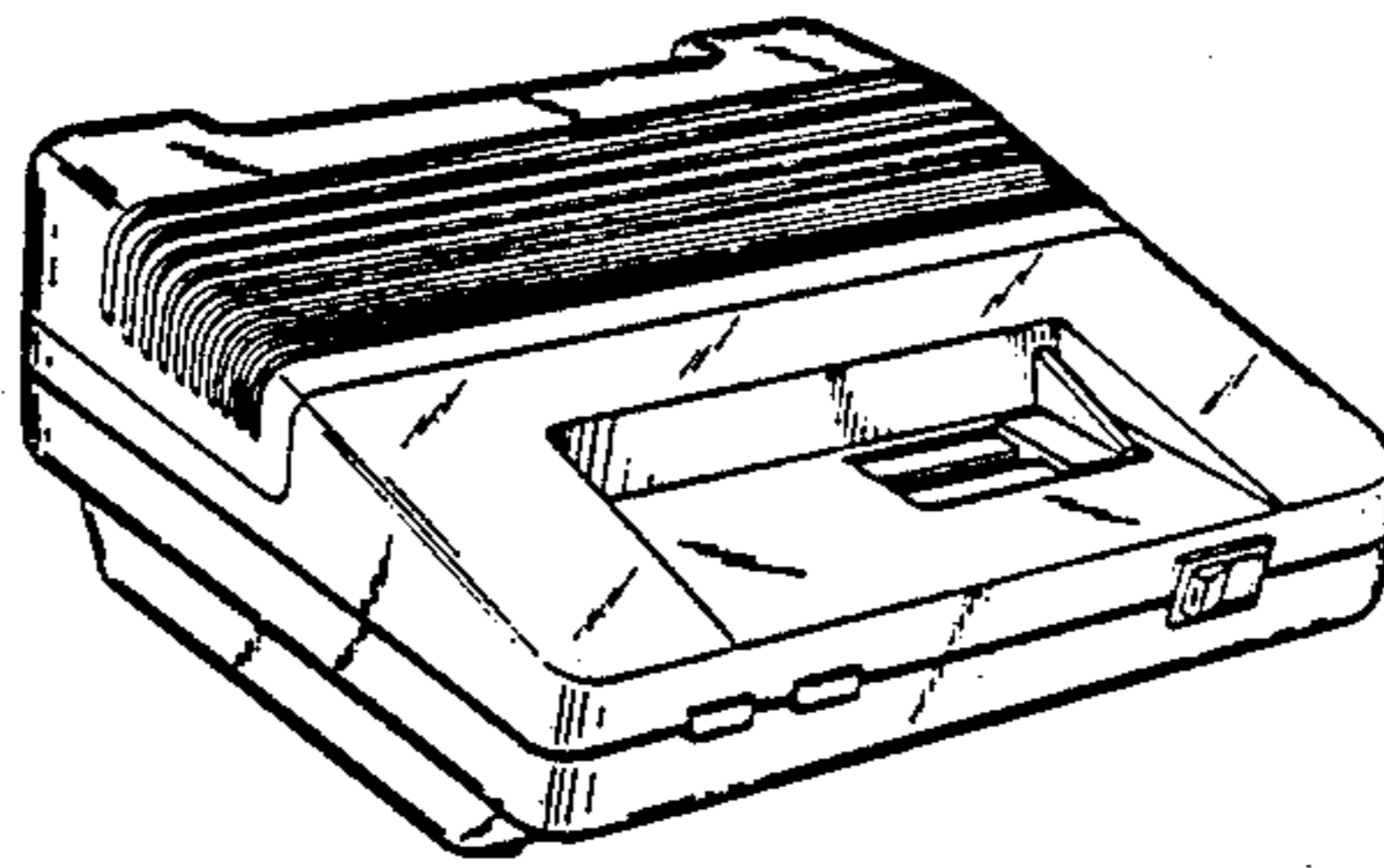


FIG. 1

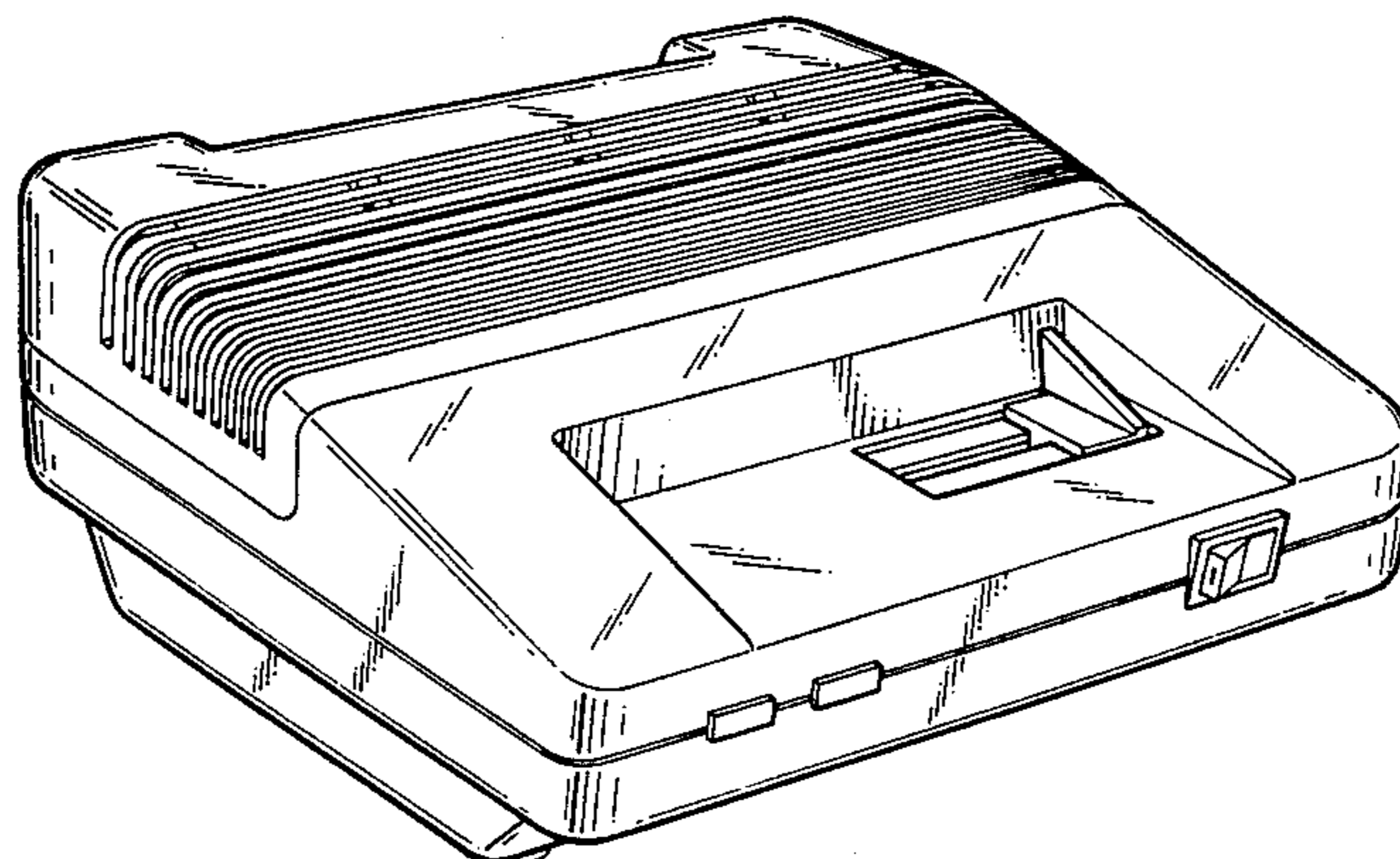


FIG. 2

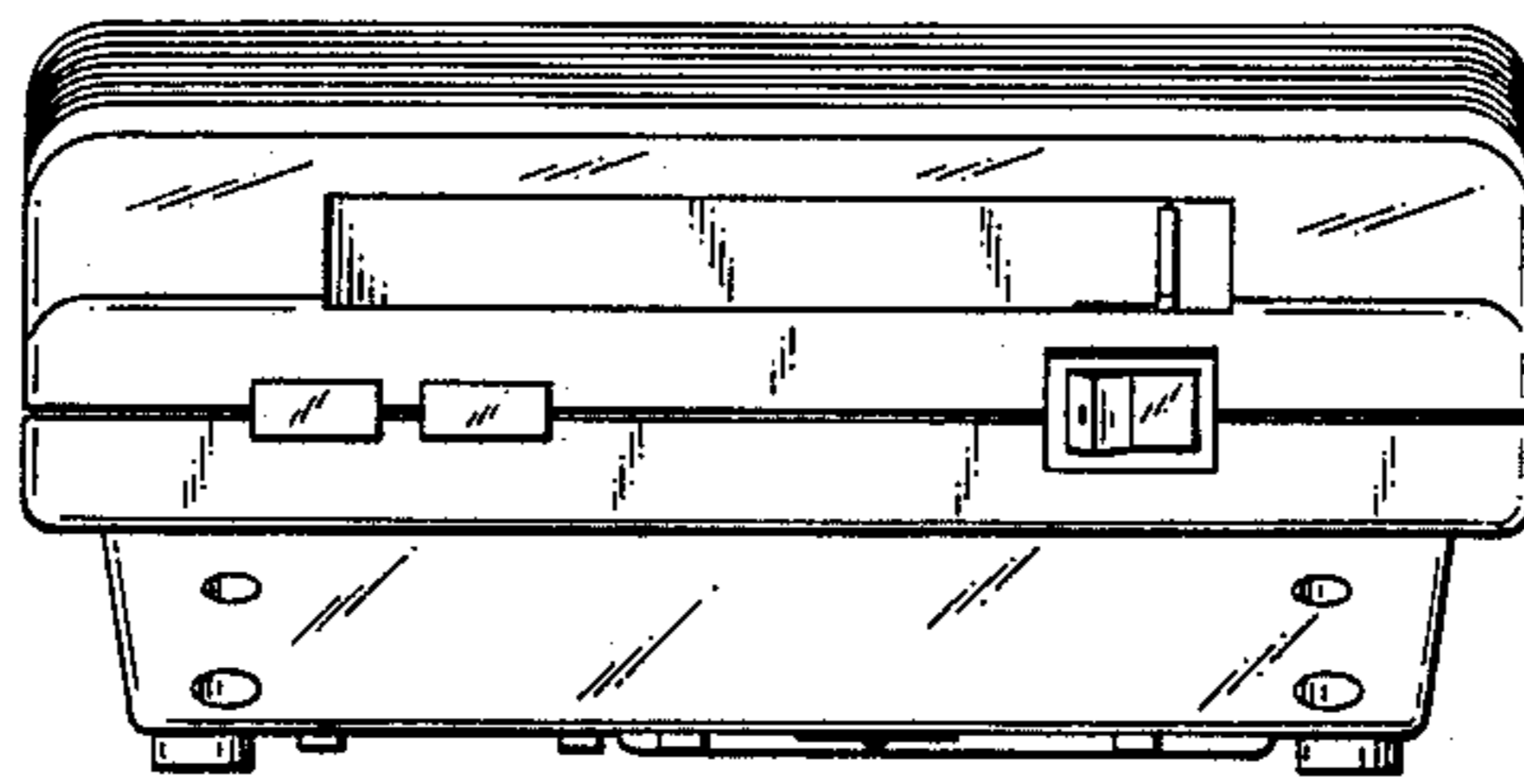


FIG. 3

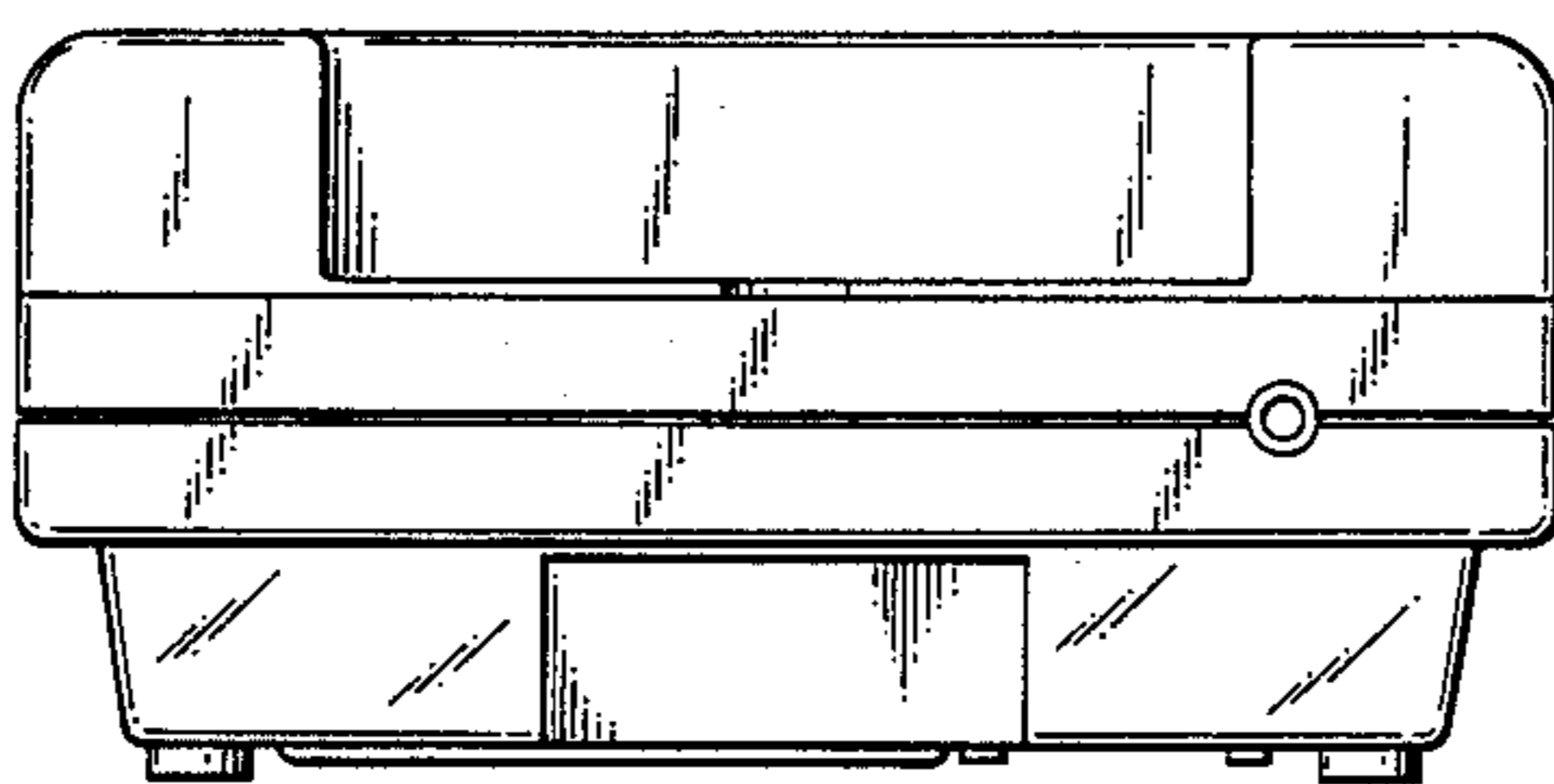


FIG. 4

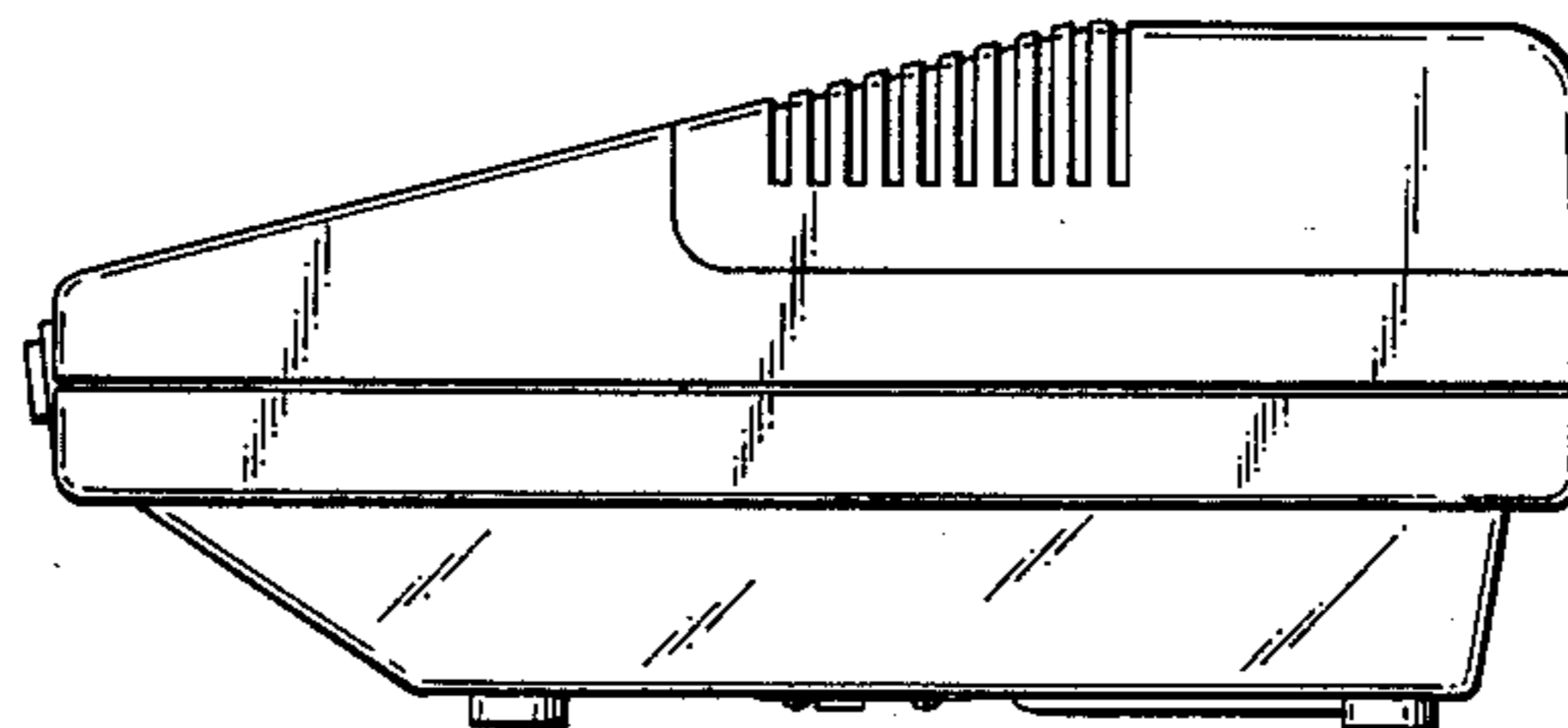


FIG. 5

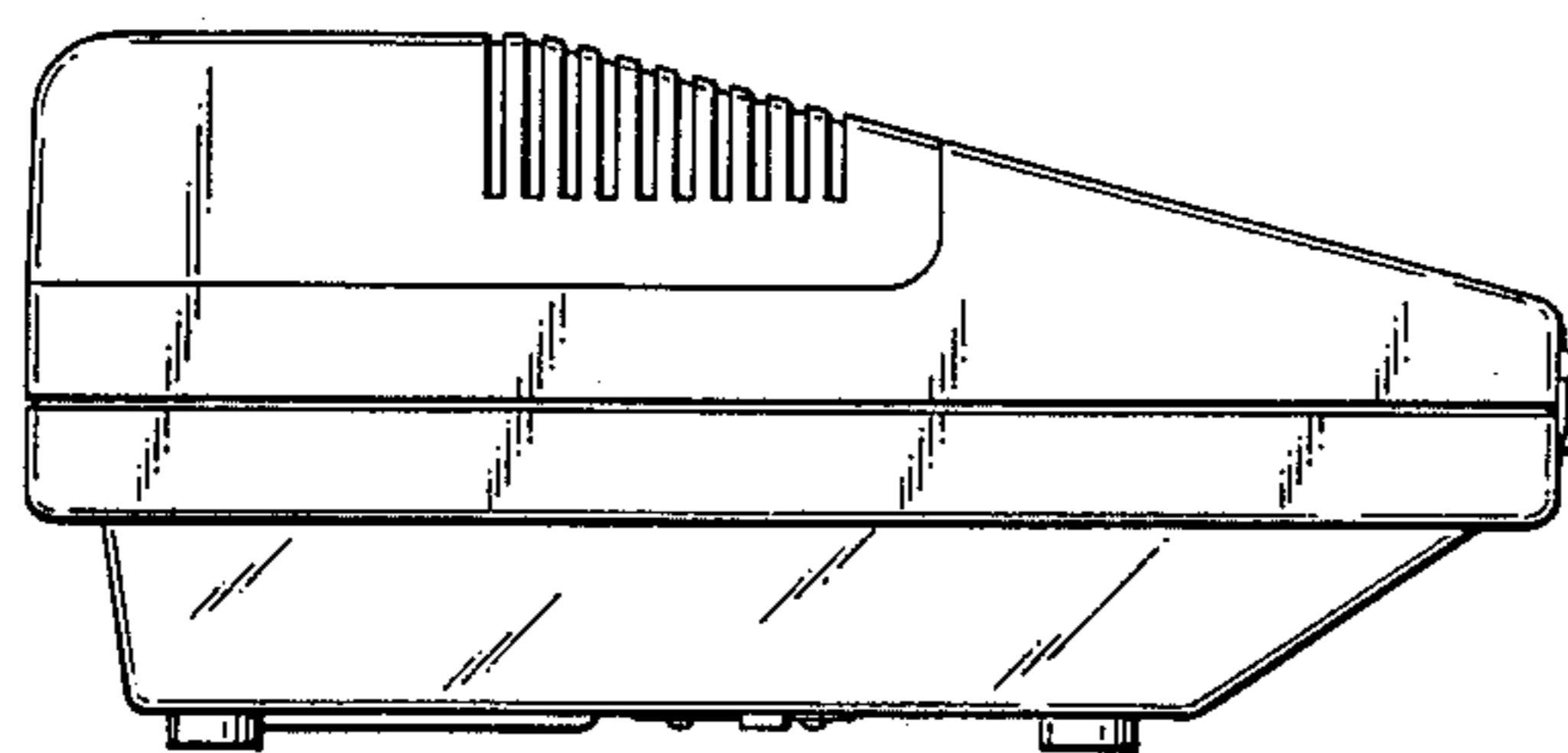


FIG. 6

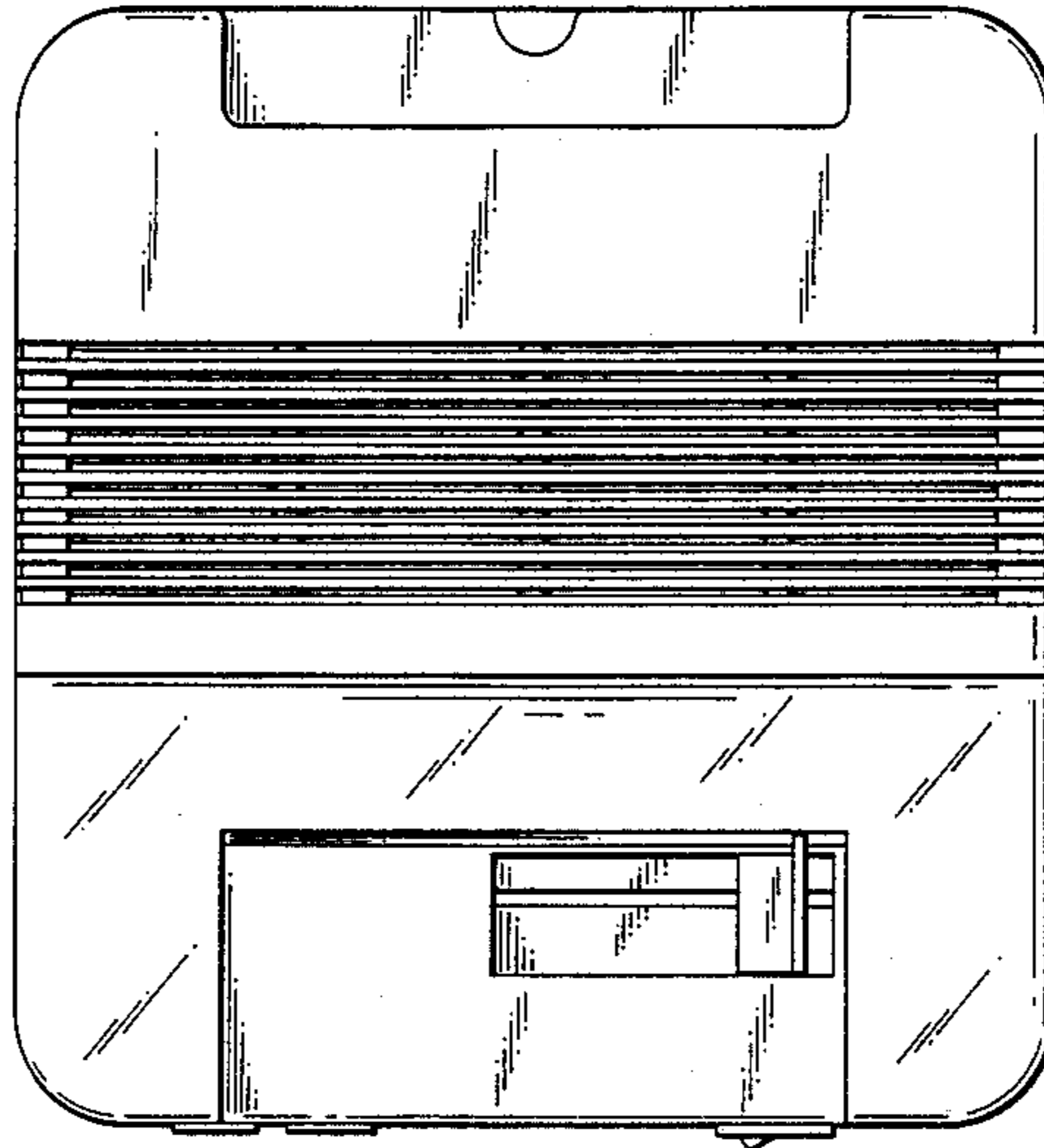


FIG. 7

