

[54] AGRICULTURAL TRACTOR

[75] Inventors: Genichi Funabashi, Sennan; Hiroyuki Miki, Sakai, both of Japan

[73] Assignee: Kubota, Ltd., Osaka, Japan

[**] Term: 14 Years

[21] Appl. No.: 30,631

[22] Filed: Mar. 27, 1987

[52] U.S. Cl. D15/23

[58] Field of Search D15/10, 15, 23, 25, D15/30-33; 56/13.3, 13.4, DIG. 22, 244, 249, 255-257, 264

[56] References Cited

U.S. PATENT DOCUMENTS

- D. 297,239 8/1988 Funabashi et al. D15/23
- D. 297,538 9/1988 Ogasawara et al. D15/15
- D. 298,433 11/1988 Mikado et al. D15/23

OTHER PUBLICATIONS

W. W. Grainger, Inc., Spring 1974, p. 306 "Riding Lawn Tractors".

Primary Examiner—Nelson C. Holtje
Assistant Examiner—Ruth Takemoto
Attorney, Agent, or Firm—Edwin E. Greigg

[57] CLAIM

The ornamental design of an agricultural tractor, as shown and described.

DESCRIPTION

FIG. 1 is a right side elevational view of an agricultural tractor showing our new design; FIG. 2 is a left side elevational view thereof; FIG. 3 is a top plan view thereof; FIG. 4 is a front elevational view thereof; FIG. 5 is a rear elevational view thereof; and FIG. 6 is a top, front and left side perspective view thereof.

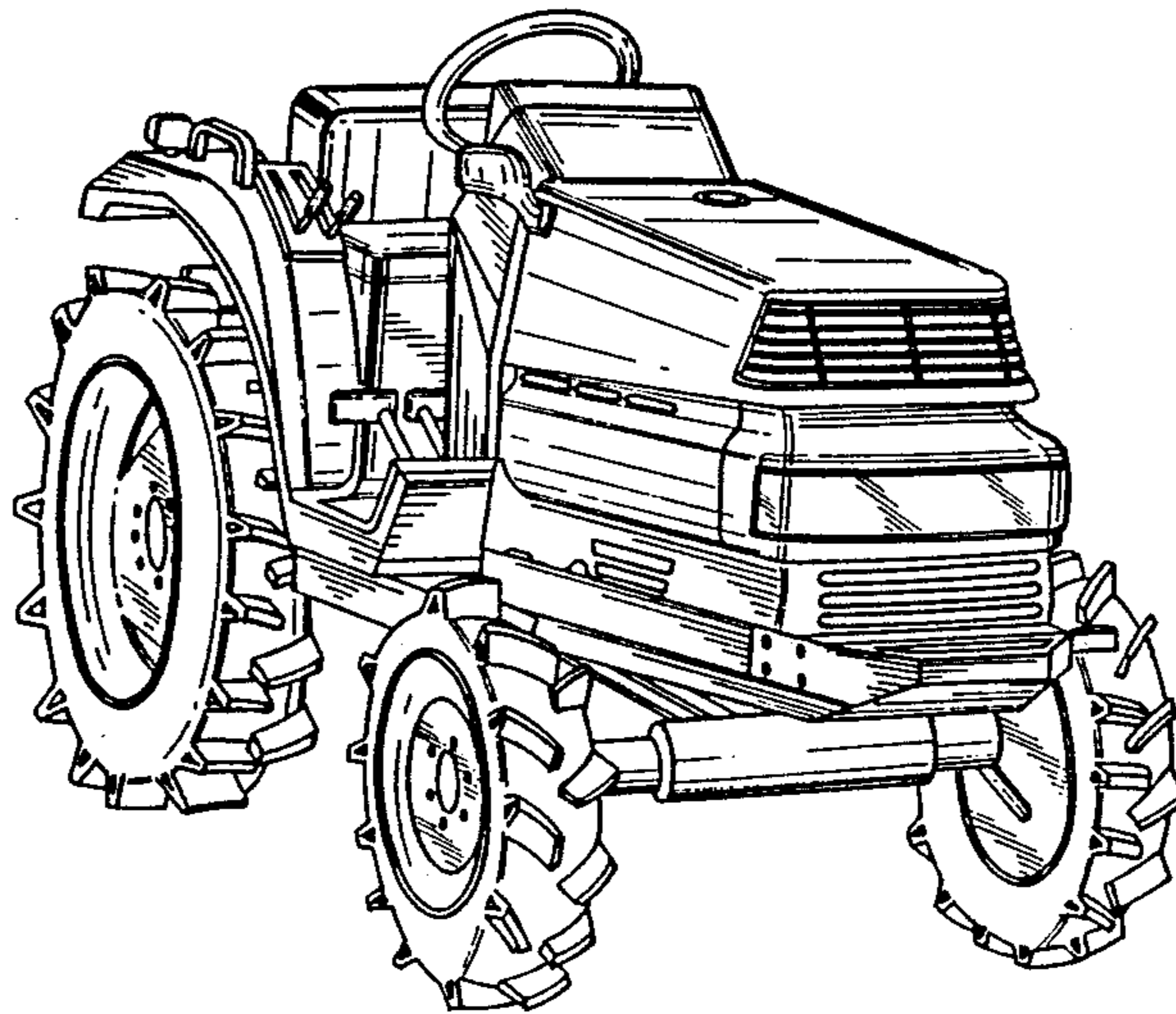


Fig. 1

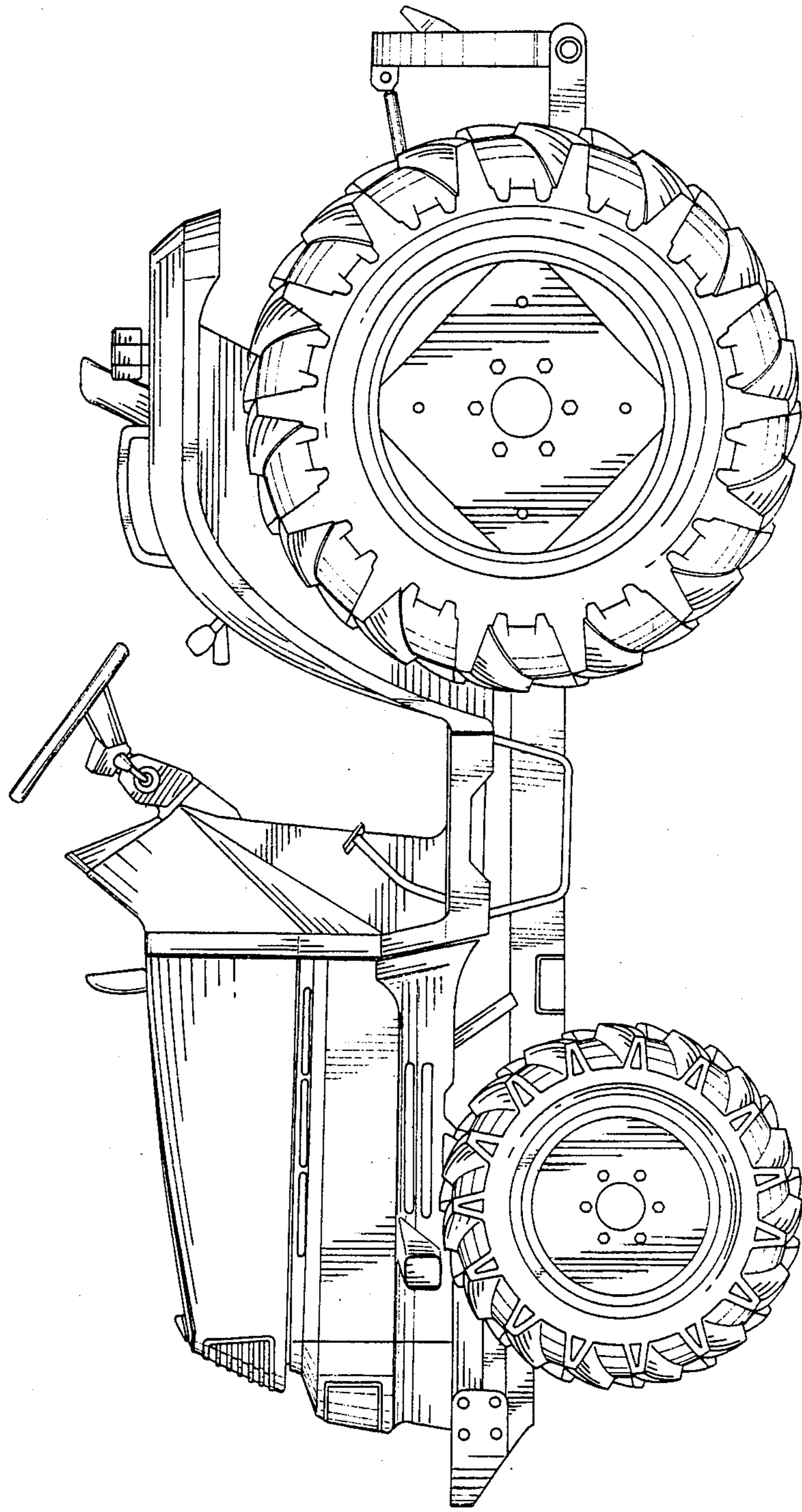


Fig. 2

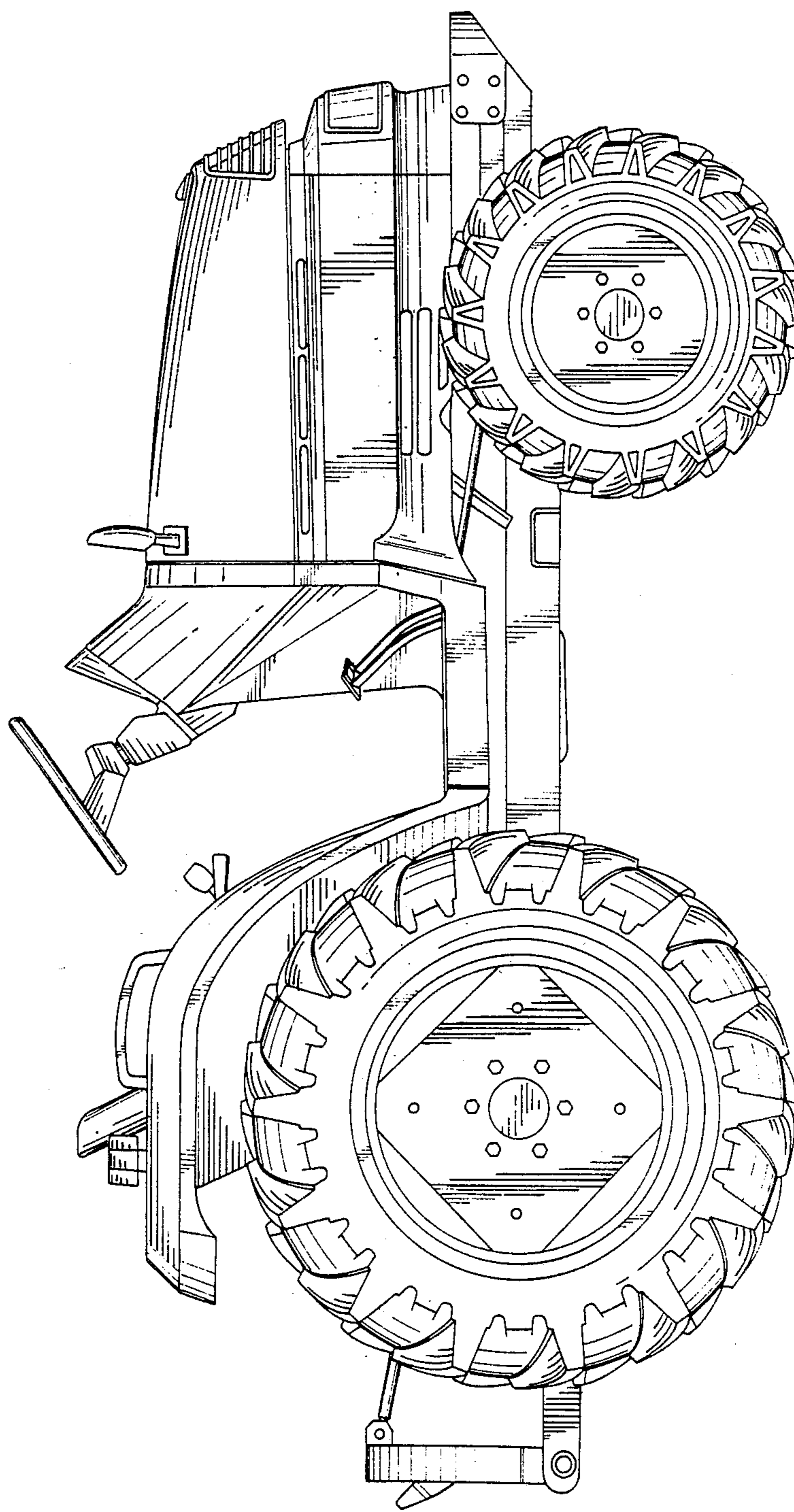


Fig. 3

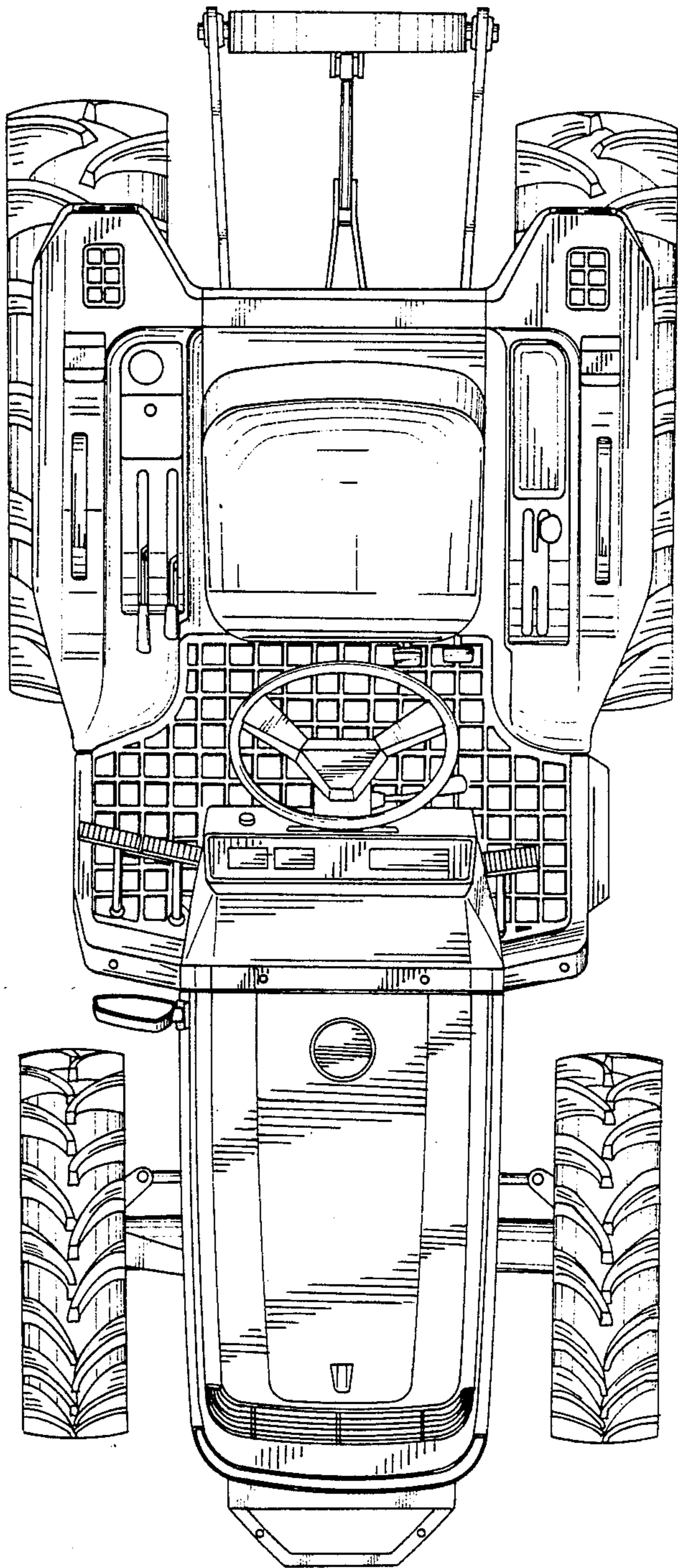
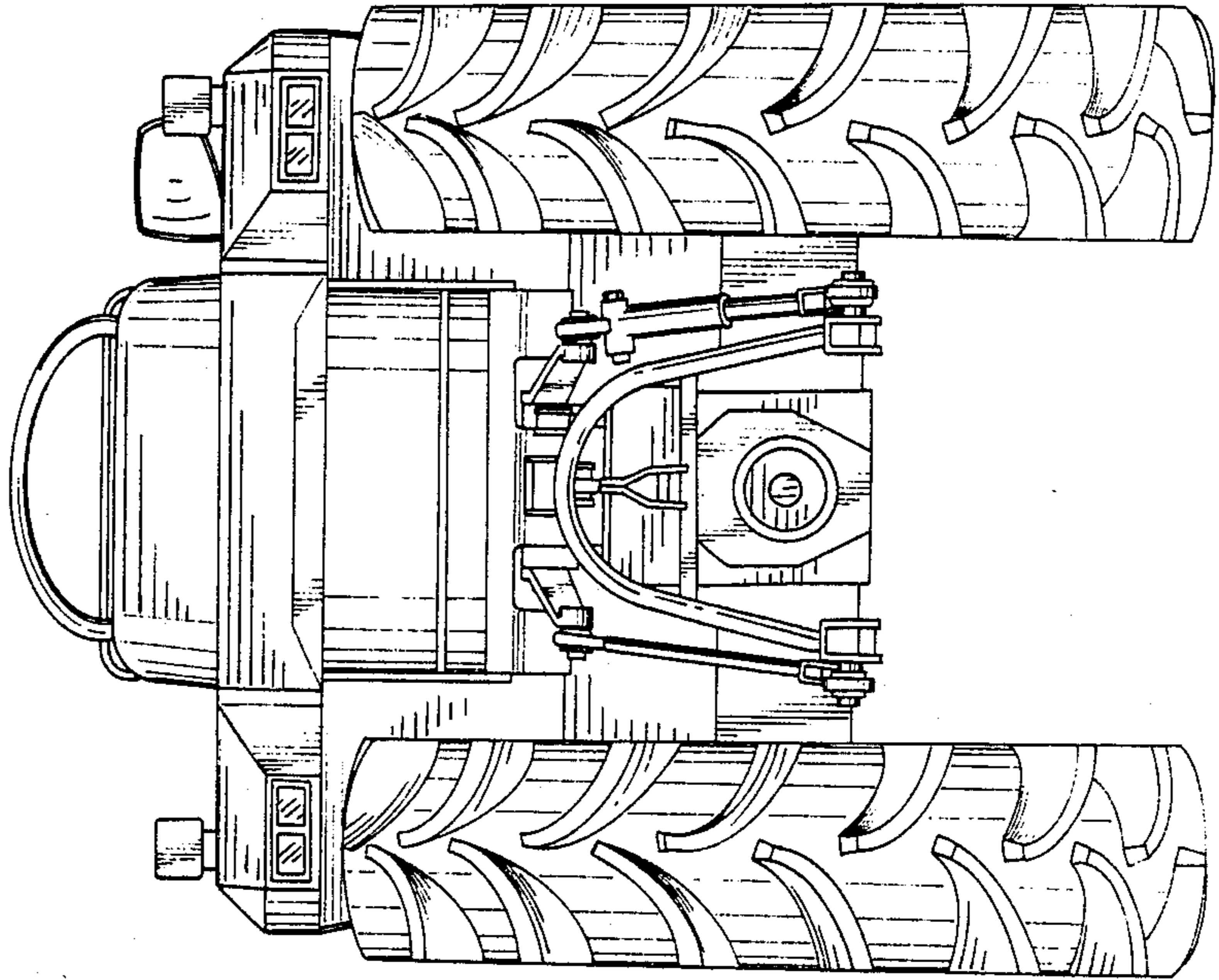


Fig. 5



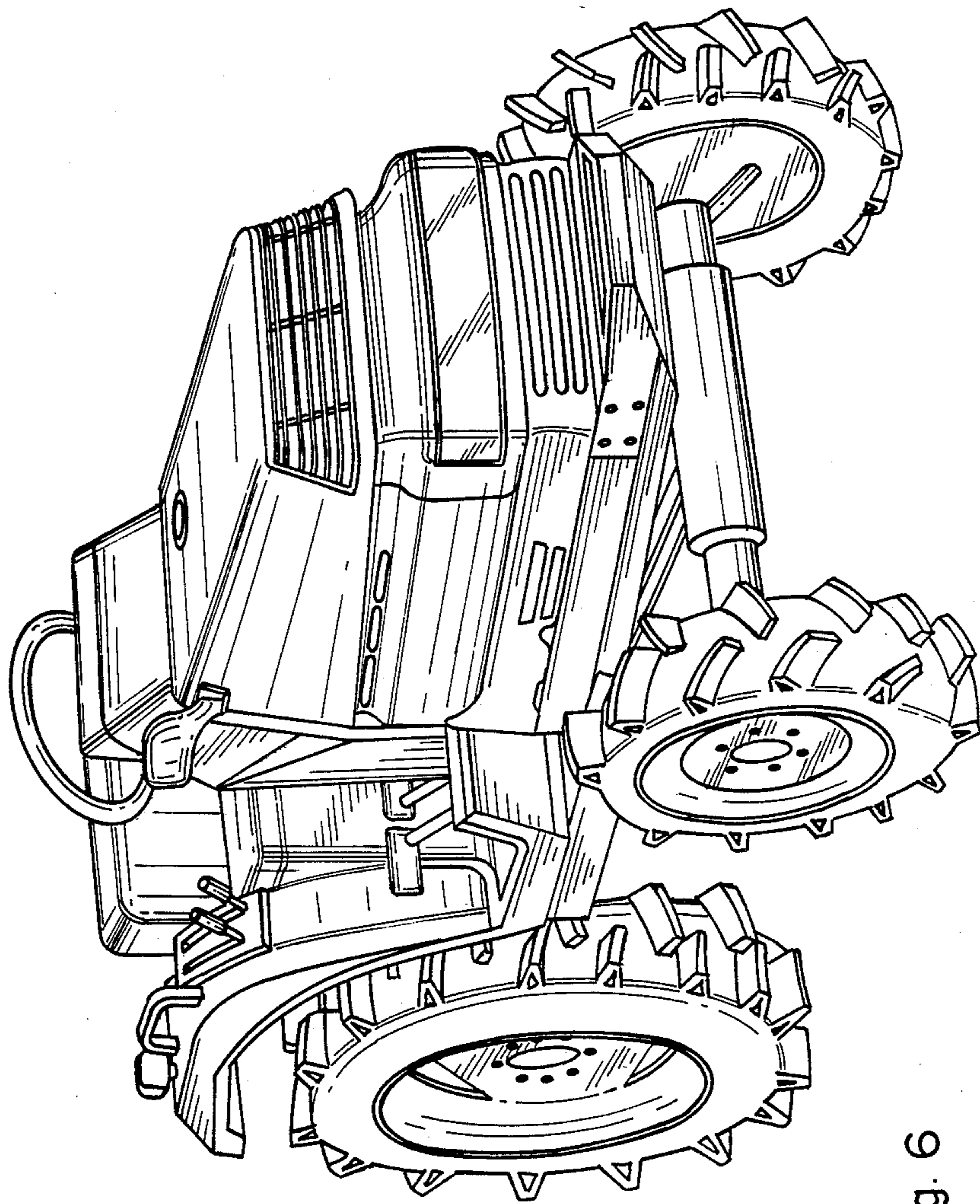


Fig. 6

Fig. 4

