

[54] TELEPHONE HANDSET HOLDER OR SIMILAR ARTICLE

[75] Inventors: Leonid Soren, Lincolnwood; Gary R. Weiss, Wheeling, both of Ill.

[73] Assignee: Motorola, Inc., Schaumburg, Ill.

[\*\*] Term: 14 Years

[21] Appl. No.: 264,305

[22] Filed: Oct. 27, 1988

[52] U.S. Cl. .... D14/251; D14/138; D14/253

[58] Field of Search ..... 379/455, 433, 435, 436, 379/440, 428; D14/142, 253, 138, 142, 251; 455/89, 90; D21/111

[56] References Cited

U.S. PATENT DOCUMENTS

- D. 133,117 7/1942 Matherson ..... D14/253
- D. 212,804 11/1968 Blackman ..... D14/142
- D. 216,427 1/1970 Dreyfuss et al. .... D14/142
- D. 216,641 2/1970 Phillips ..... D14/253
- D. 227,264 6/1973 Kennedy ..... D14/253
- D. 229,190 11/1973 Lardell ..... D14/253
- D. 267,812 2/1983 Fukushima ..... D14/138
- D. 276,809 12/1984 Taylor ..... D14/253
- D. 284,764 7/1986 Felix et al. .
- D. 285,070 8/1986 Beaumont .
- D. 285,789 9/1986 Karlin .
- D. 289,156 4/1987 Pulio .
- D. 291,564 8/1987 Kajita .
- D. 294,496 3/1988 Drakulovic et al. .

- 3,005,061 10/1961 Cagen .
- 3,521,008 7/1970 Tyson .
- 3,557,322 1/1971 Walden .
- 3,889,071 6/1975 Davis et al. .
- 3,956,600 5/1976 Ray ..... 379/455
- 4,117,276 9/1978 Zurawski .
- 4,472,606 9/1984 Krolopp et al. .
- 4,476,354 10/1984 Uchino et al. .
- 4,581,490 4/1986 Genender .
- 4,700,383 10/1987 Takagi et al. .... 379/433
- 4,710,596 12/1987 Kurokawa ..... 379/424
- 4,731,836 3/1988 Hurakowicz et al. .... 379/446
- 4,741,034 4/1988 Errichiello et al. .
- 4,782,528 11/1988 Inoue ..... 379/433

FOREIGN PATENT DOCUMENTS

- 0184440 7/1988 Japan ..... 379/435
- 0209254 8/1988 Japan ..... 379/58

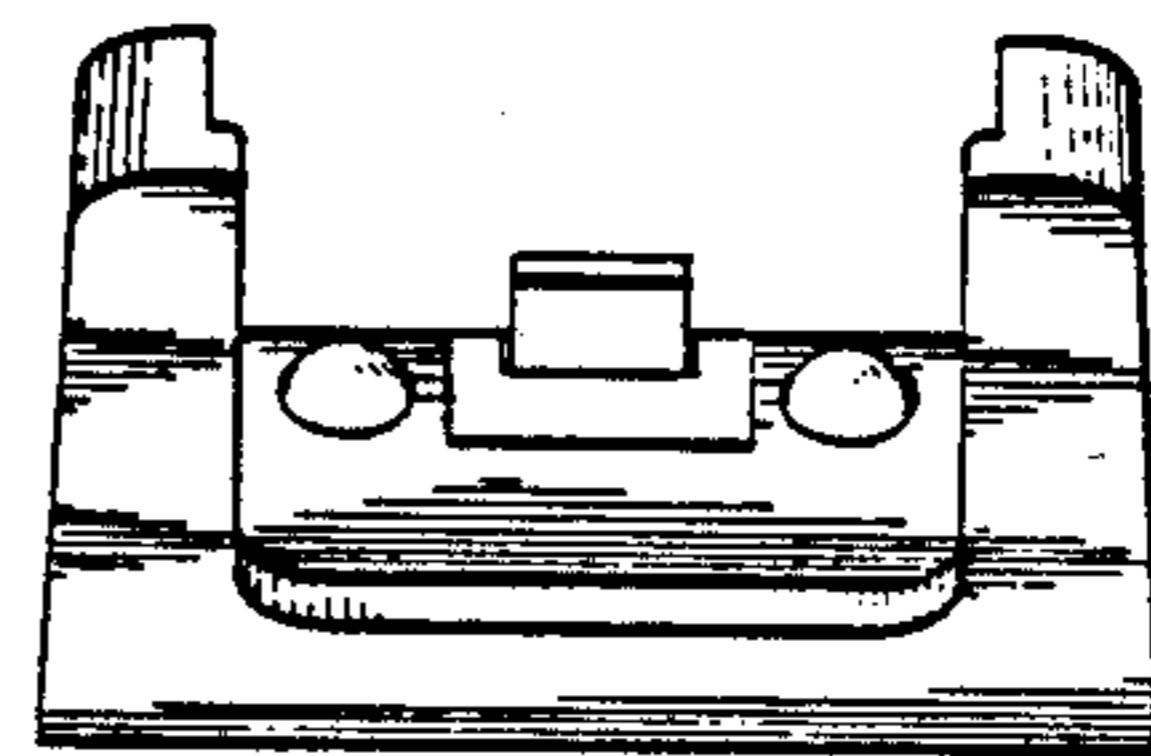
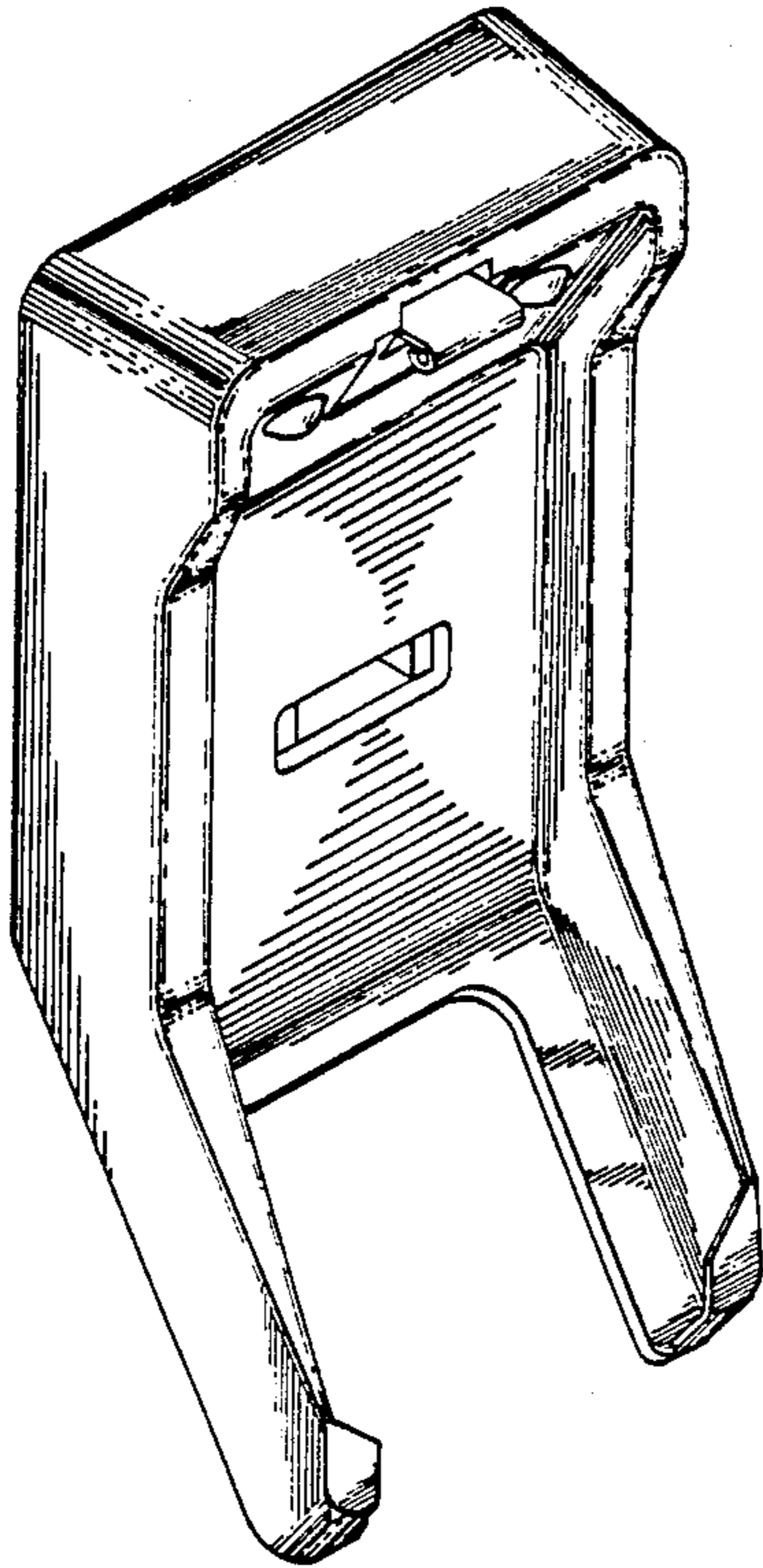
Primary Examiner—Horace B. Fay, Jr.  
Attorney, Agent, or Firm—Raymond A. Janski; Rolland R. Hackbart

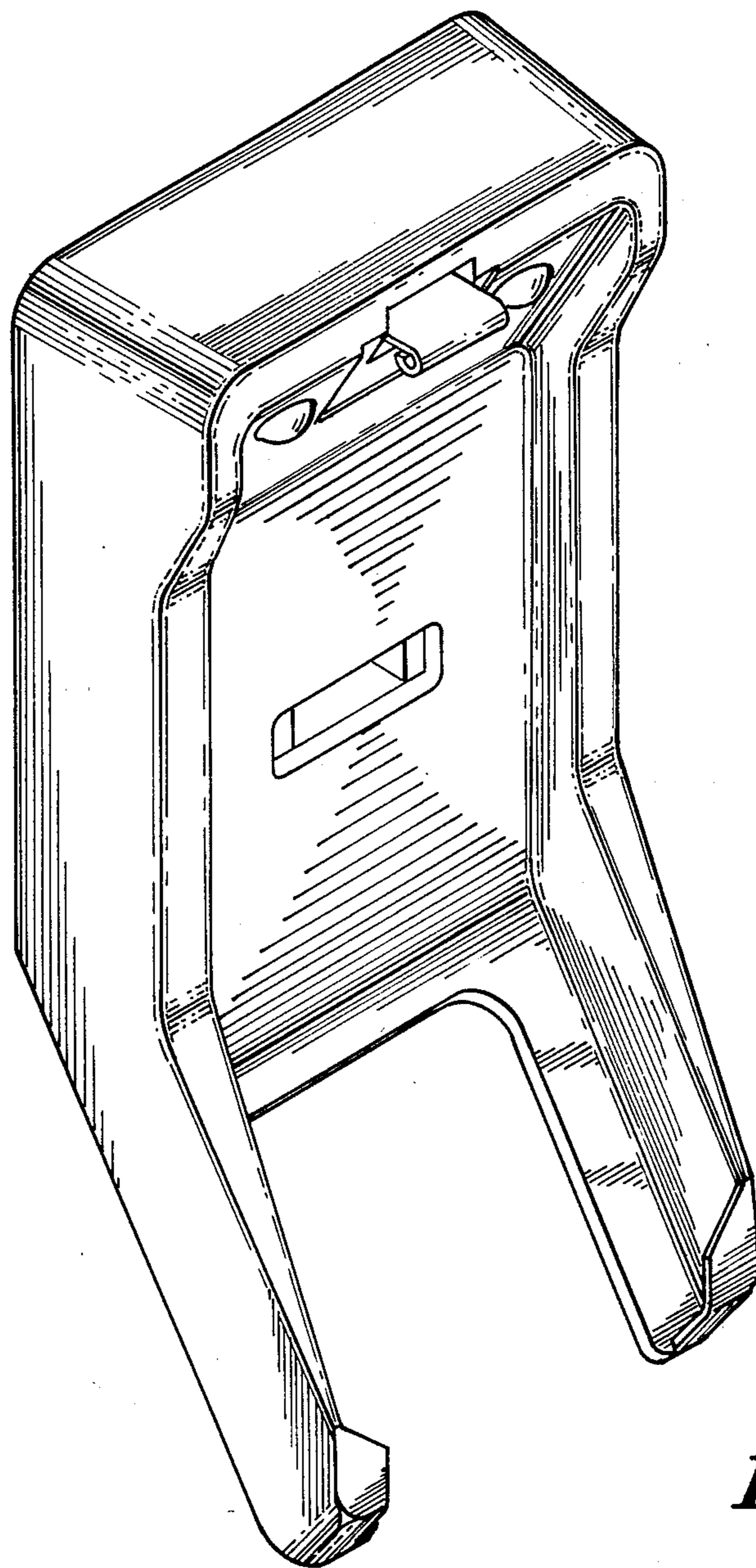
[57] CLAIM

The ornamental design for a telephone handset holder or similar article, as shown and described.

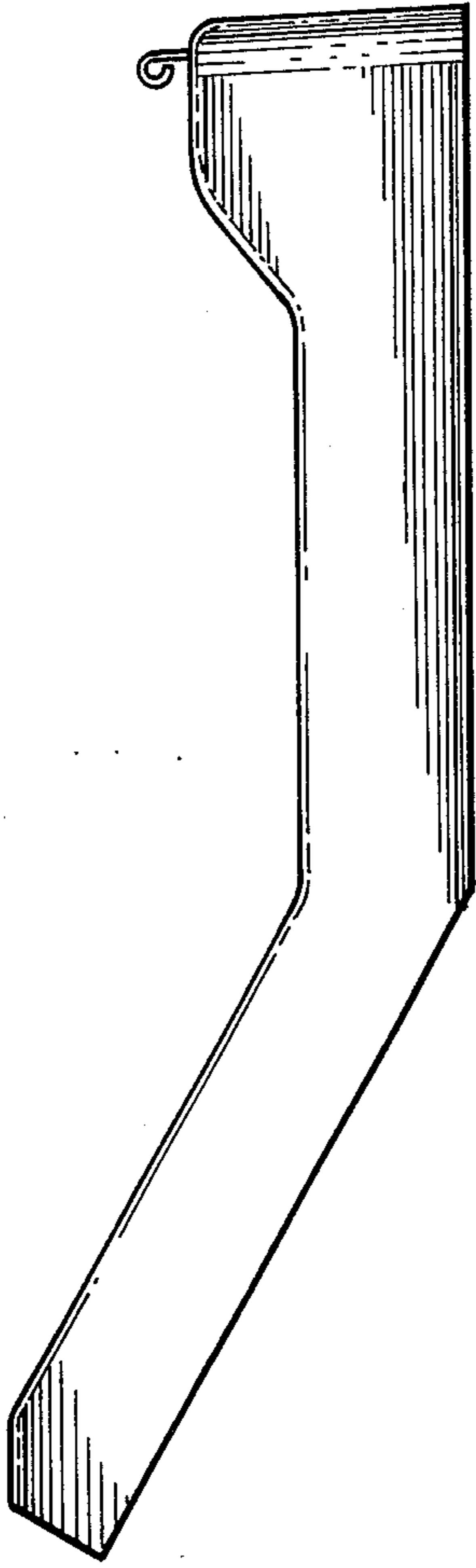
DESCRIPTION

FIG. 1 is a top, front, and left side perspective view of a telephone handset holder or similar article showing our new design;  
FIG. 2 is a right elevation view thereof;  
FIG. 3 is a rear elevation view thereof; and  
FIG. 4 is a bottom plan view thereof.

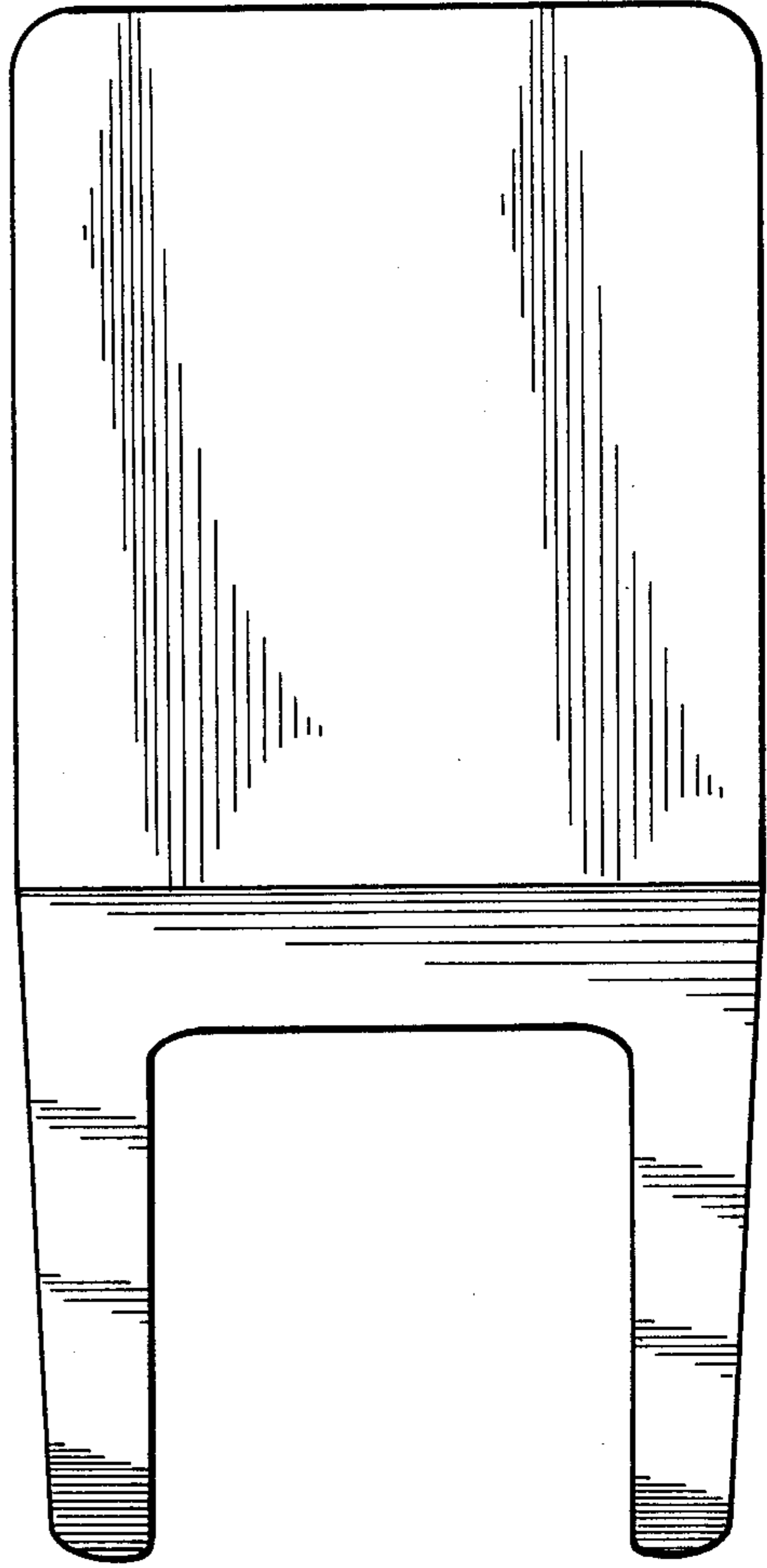




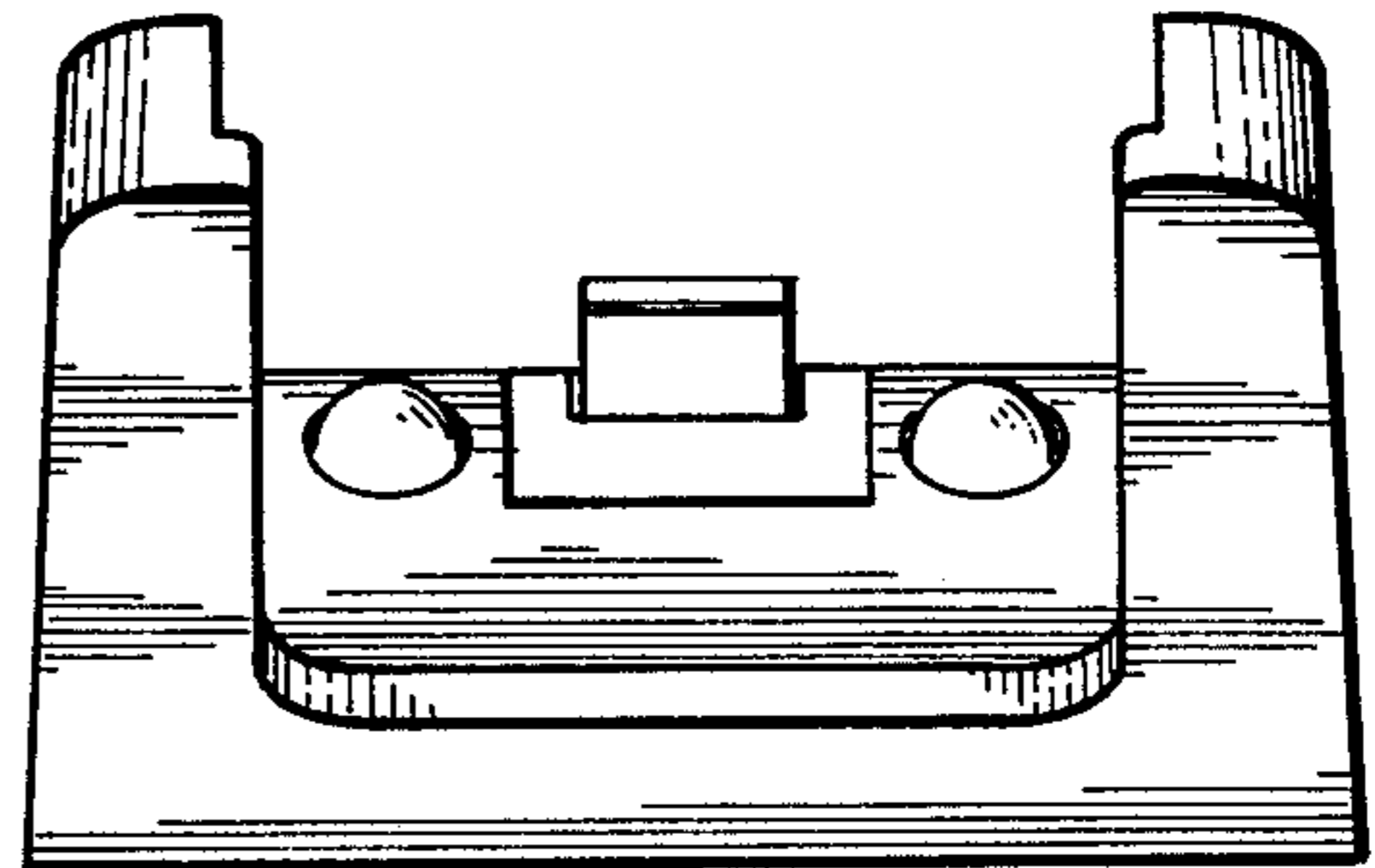
**FIG. 1**



*FIG. 2*



*FIG. 3*



*FIG. 4*