

[54] **VIDEO DISPLAY**

- [75] **Inventor: Lawrence M. Kuba, Nashua, N.H.**
[73] **Assignee: Wang Laboratories, Inc., Lowell, Mass.**
[*] **Notice: The portion of the term of this patent subsequent to Nov. 7, 2003 has been disclaimed.**
[**] **Term: 14 Years**
[21] **Appl. No.: 929,236**
[22] **Filed: Nov. 10, 1986**
[52] **U.S. Cl. D14/113**
[58] **Field of Search D14/100, 102, 105, 106, D14/107, 109, 113, 114; D13/40, 41; 312/208; 340/700, 720, 815.06, 815.14; 364/130, 144, 708**

[56] **References Cited**

U.S. PATENT DOCUMENTS

D. 278,149	3/1985	Naito	D14/113
D. 278,911	5/1985	Ohnuma et al.	D14/113
D. 290,704	7/1987	Schaum et al.	D14/113
D. 294,944	3/1988	Chu	D14/113

OTHER PUBLICATIONS

Datamation—Jan. 1, 1985, pp. 16–17, Display Monitor #12—Scientific Library.
Hong Kong Enterprise 11–1984, pp. 102–103, Conic Display Monitor.
Information Week, Jan. 14, 1985, p. 71, Ericsson Display Monitor.
New York Times Magazine, Feb. 17, 1985, p. 1, Apple Display Monitor.

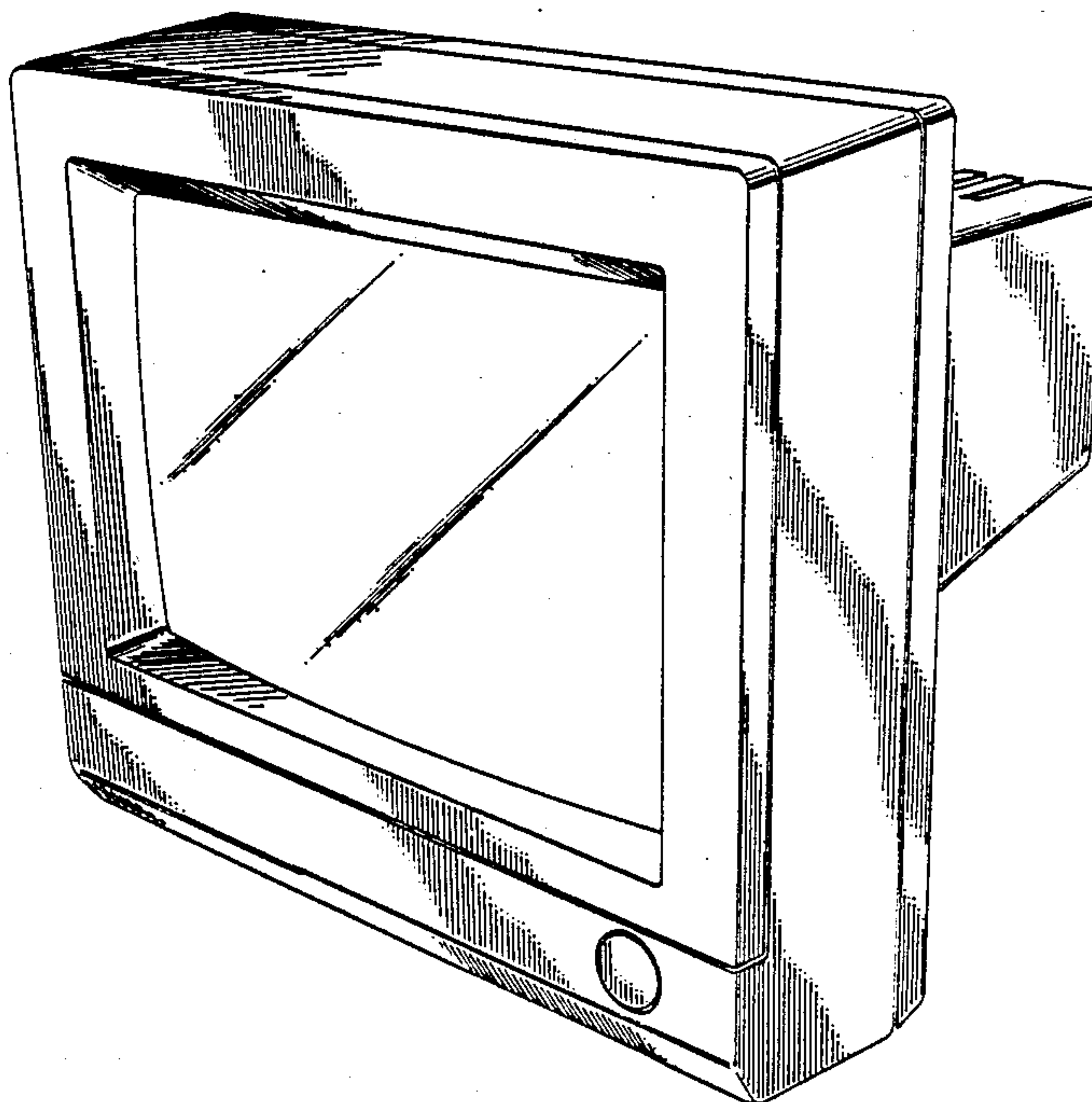
Primary Examiner—Susan J. Lucas
Assistant Examiner—Freda Selma-Nunn
Attorney, Agent, or Firm—Michael H. Shanahan;
Kenneth L. Milik

[57] **CLAIM**

The ornamental design for a video display, as shown and described.

DESCRIPTION

FIG. 1 is a right front perspective view of a video display, showing my new design;
FIG. 2 is a front elevational view thereof;
FIG. 3 is a top plan view thereof;
FIG. 4 is a side elevational view thereof the opposite side being a mirror image;
FIG. 5 is a rear elevational view thereof;
FIG. 6 is a bottom plan view thereof.



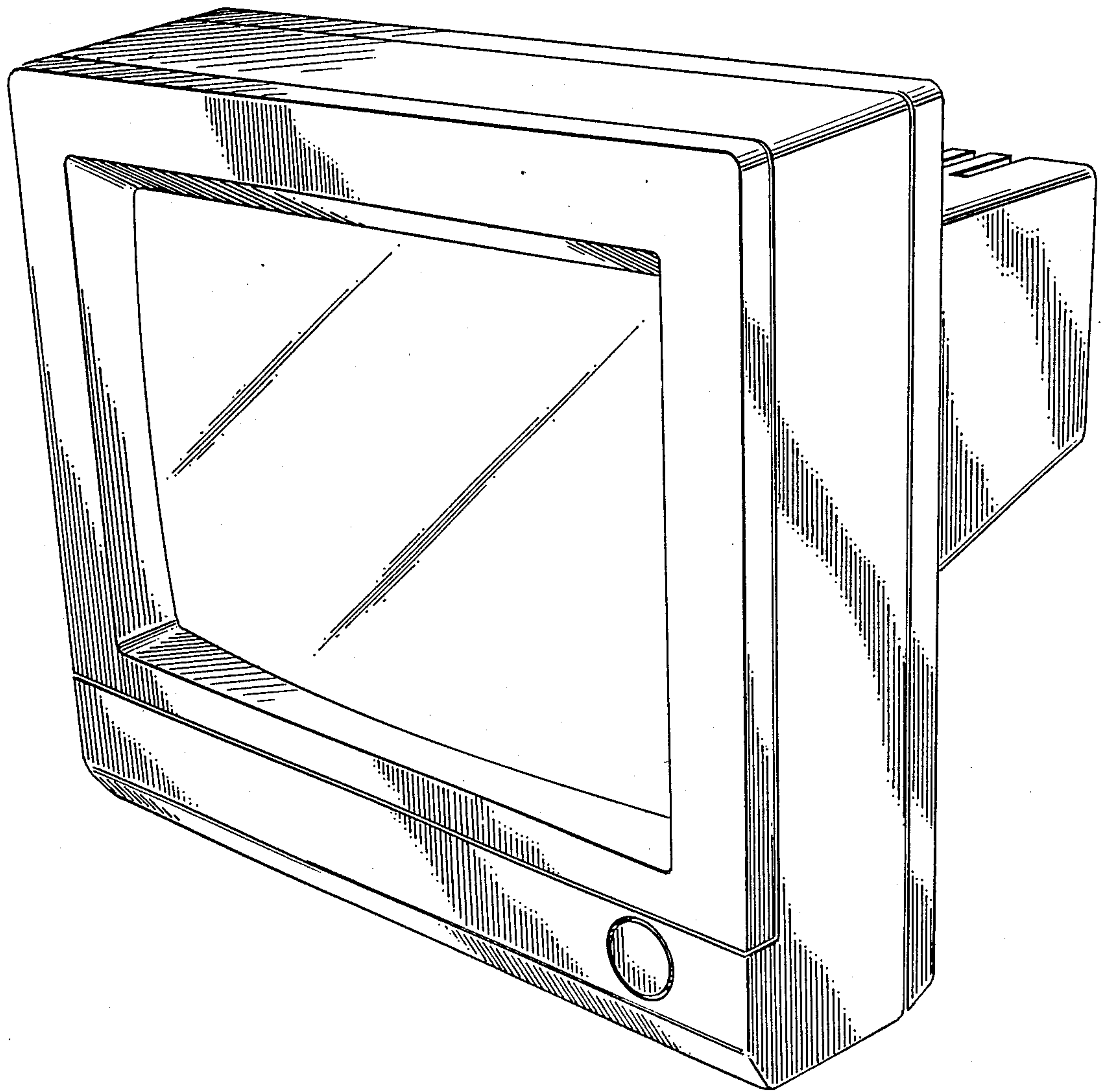


FIG. 1

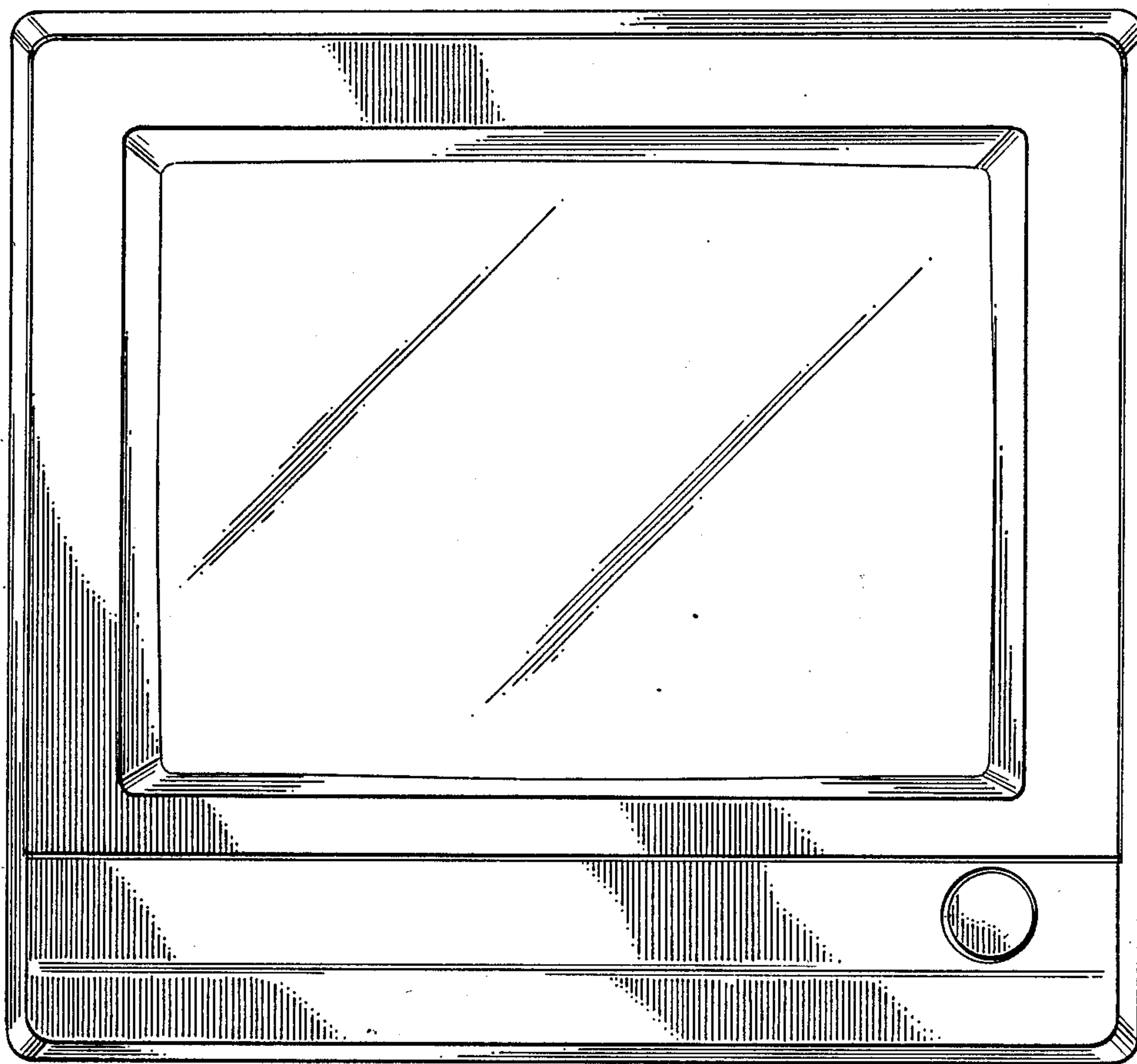


FIG. 2

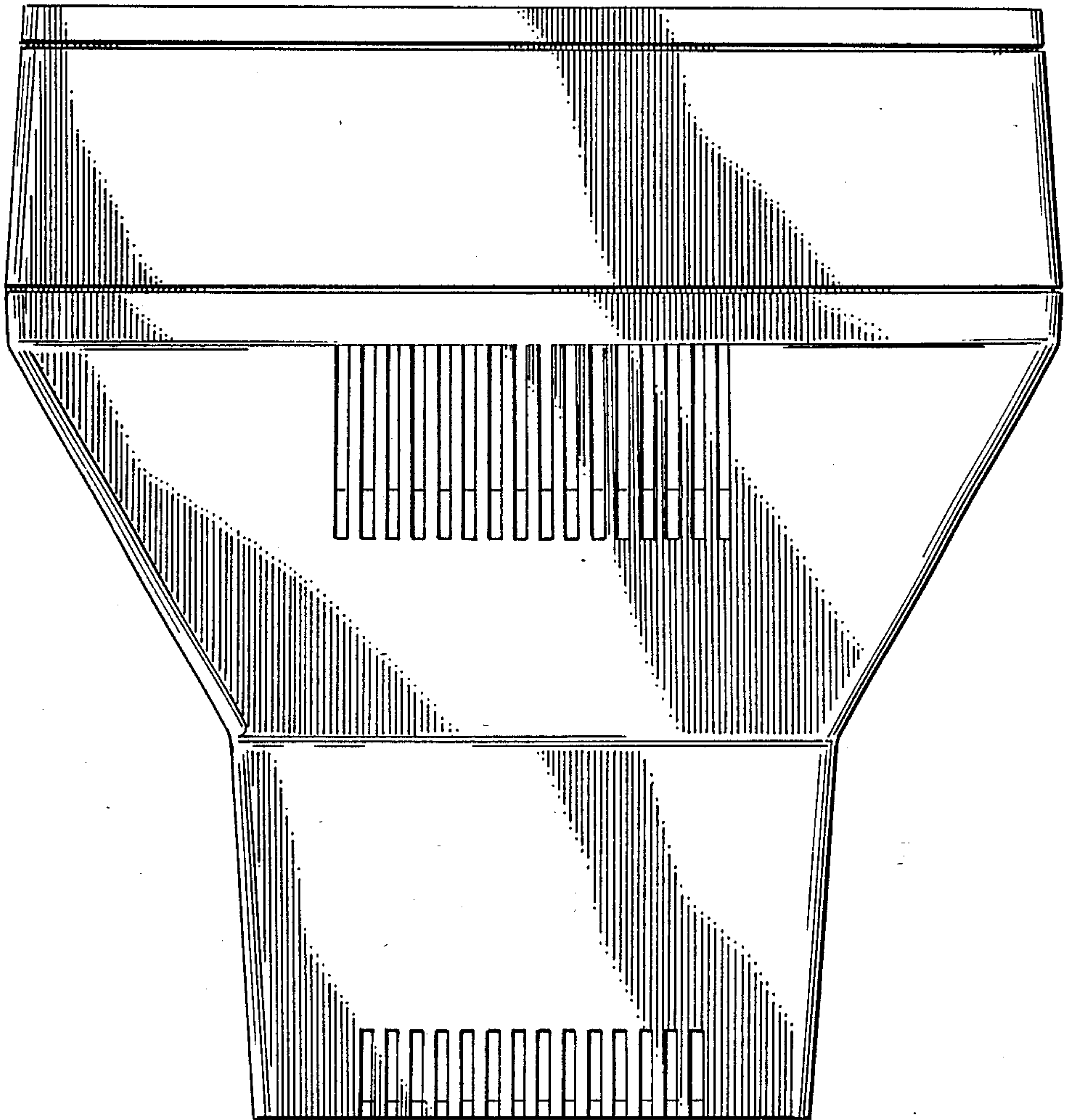


FIG. 3

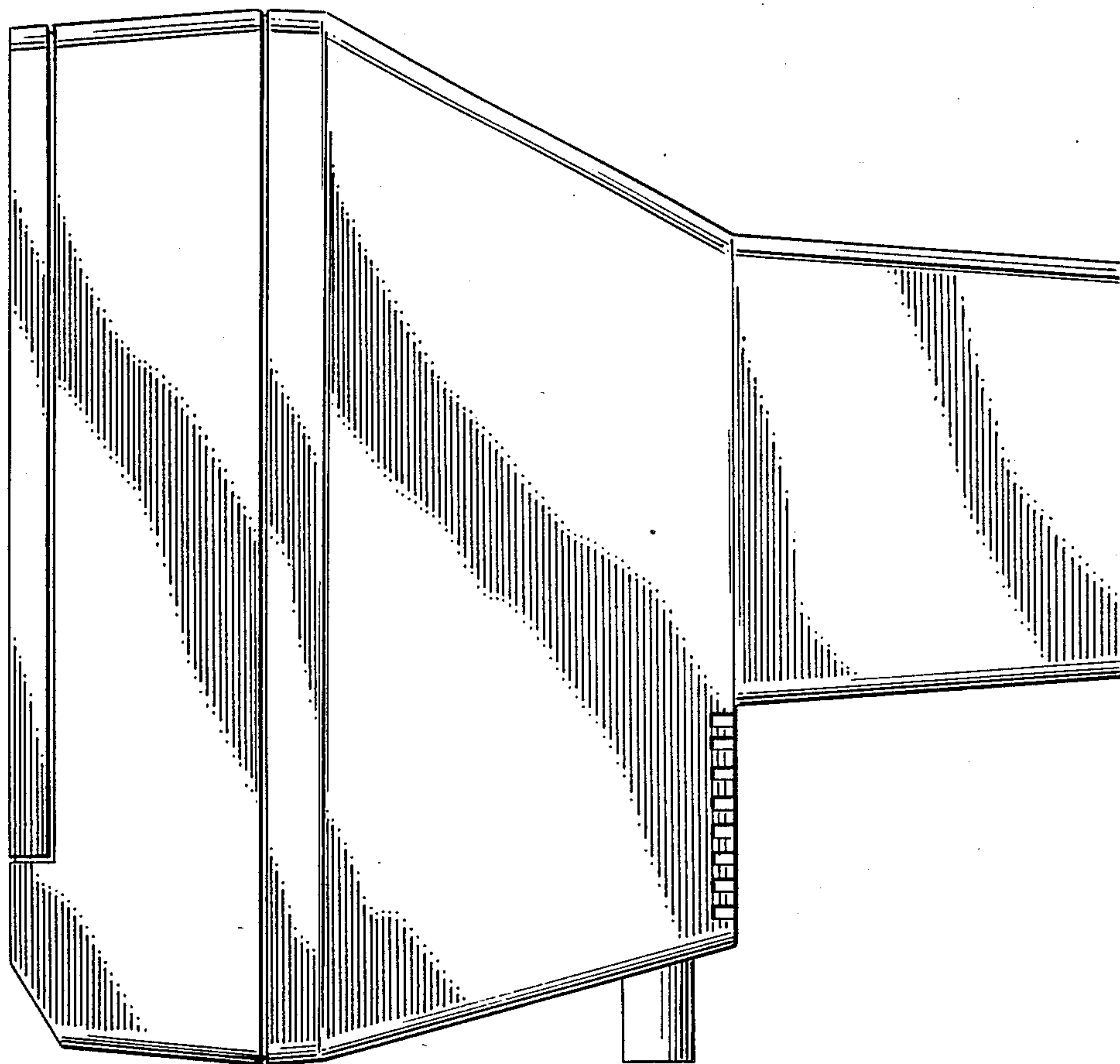


FIG. 4

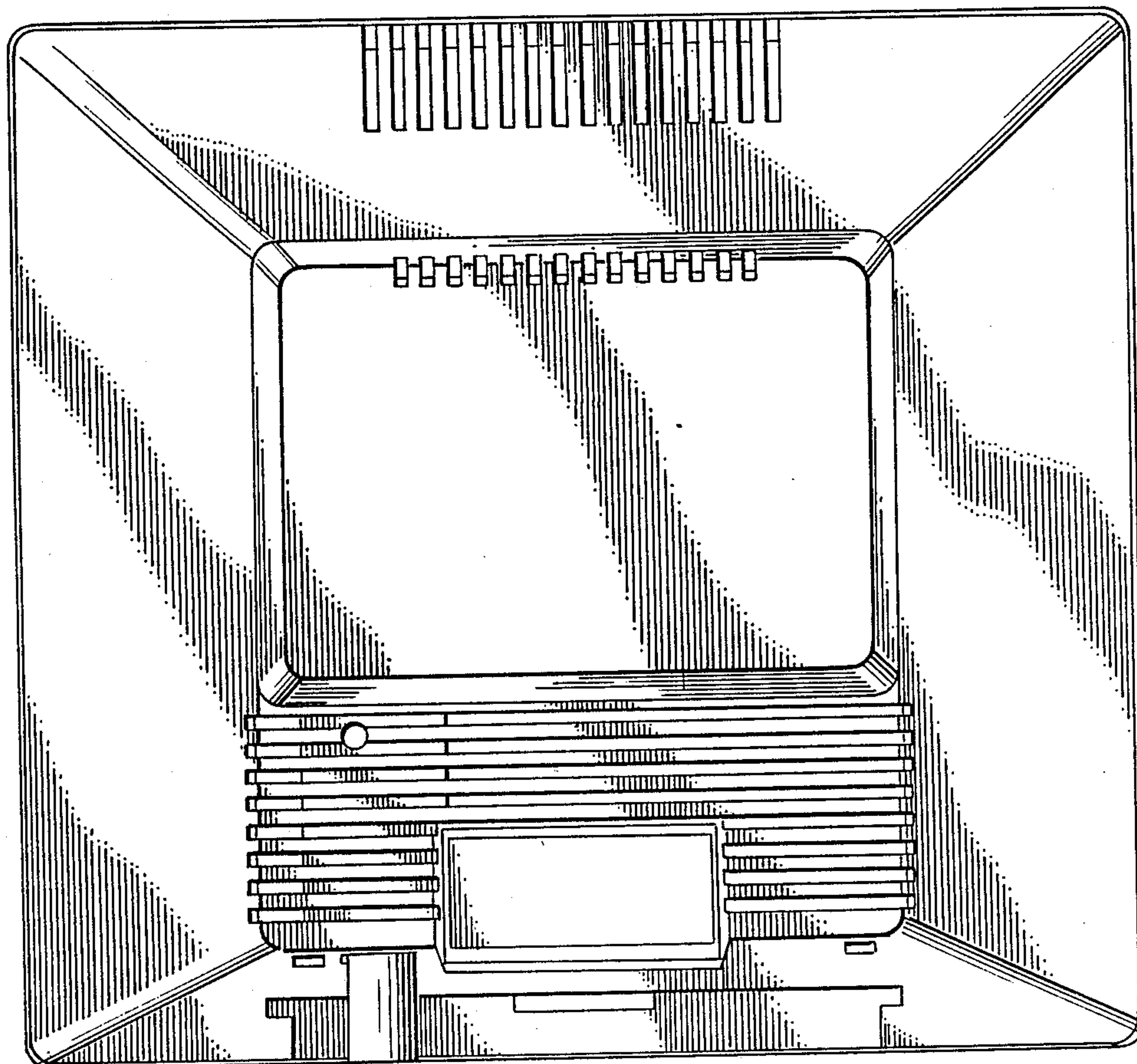


FIG. 5

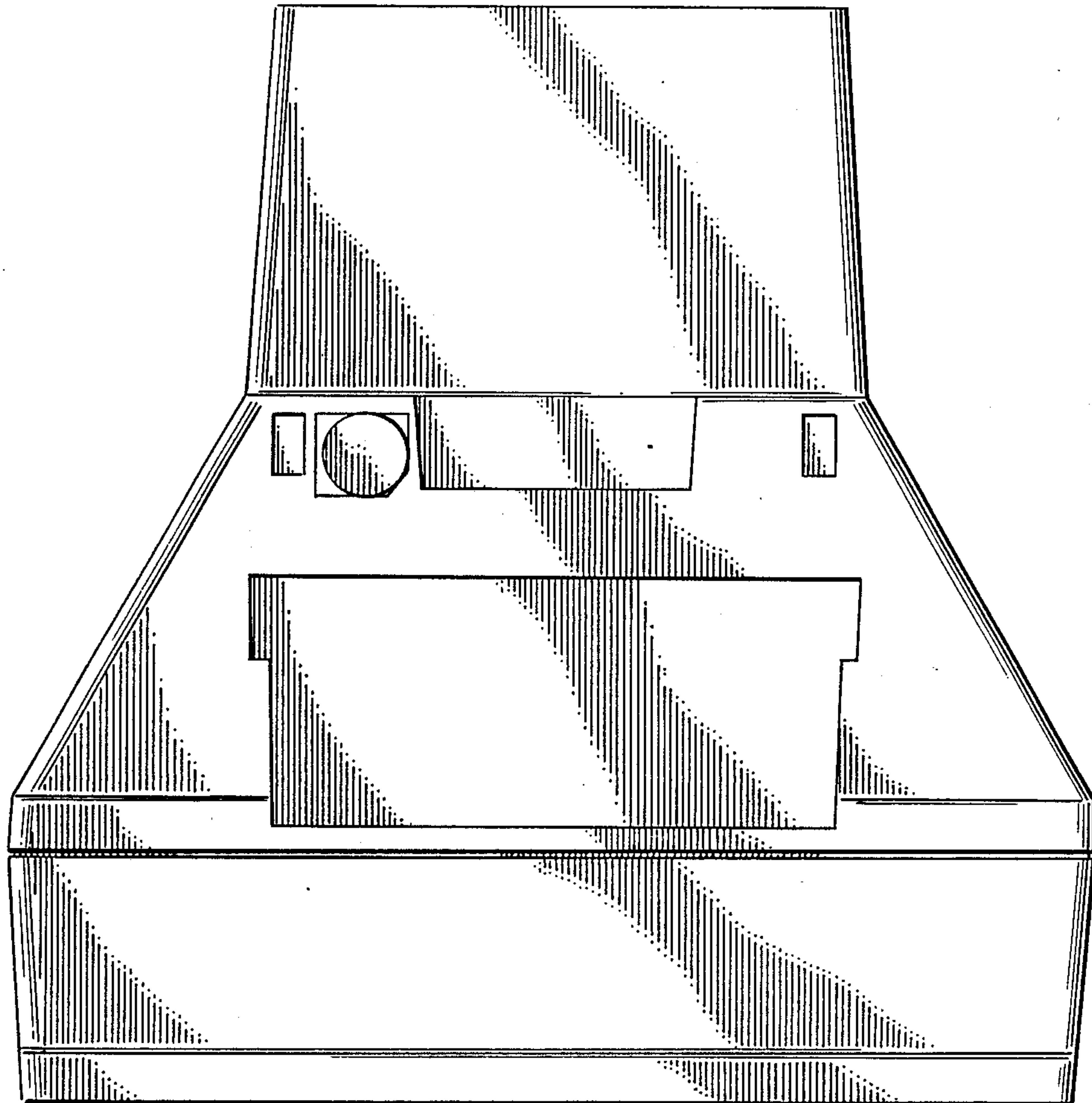


FIG. 6