

[54] DYNAMOELECTRIC MACHINE

[75] Inventors: Herbert H. F. Pfeifer, San Jose; Steven C. McDonald, Los Gatos, both of Calif.

[73] Assignee: General Electric Company, Fort Wayne, Ind.

[**] Term: 14 Years

[21] Appl. No.: 15,333

[22] Filed: Feb. 17, 1987

[52] U.S. Cl. D13/3

[58] Field of Search D13/1, 2, 3; 310/47, 310/50, 89, 113, 166, 171

[56] References Cited

U.S. PATENT DOCUMENTS

- D. 180,370 5/1957 Kerr D13/1 X
- D. 207,401 4/1967 Andrews et al. D13/3
- D. 236,005 7/1975 Baumann D13/3
- D. 236,985 9/1975 Baumann D13/3

Primary Examiner—Susan J. Lucas

Assistant Examiner—Joel Sincavage
Attorney, Agent, or Firm—Ralph E. Krisher, Jr.

[57] CLAIM

The ornamental design for a dynamoelectric machine, as shown and described.

DESCRIPTION

FIG. 1 is a perspective view of a dynamoelectric machine showing our new design;

FIG. 2 is a left side elevational view thereof;

FIG. 3 is a right side elevational view thereof;

FIG. 4 is a front end elevational view thereof;

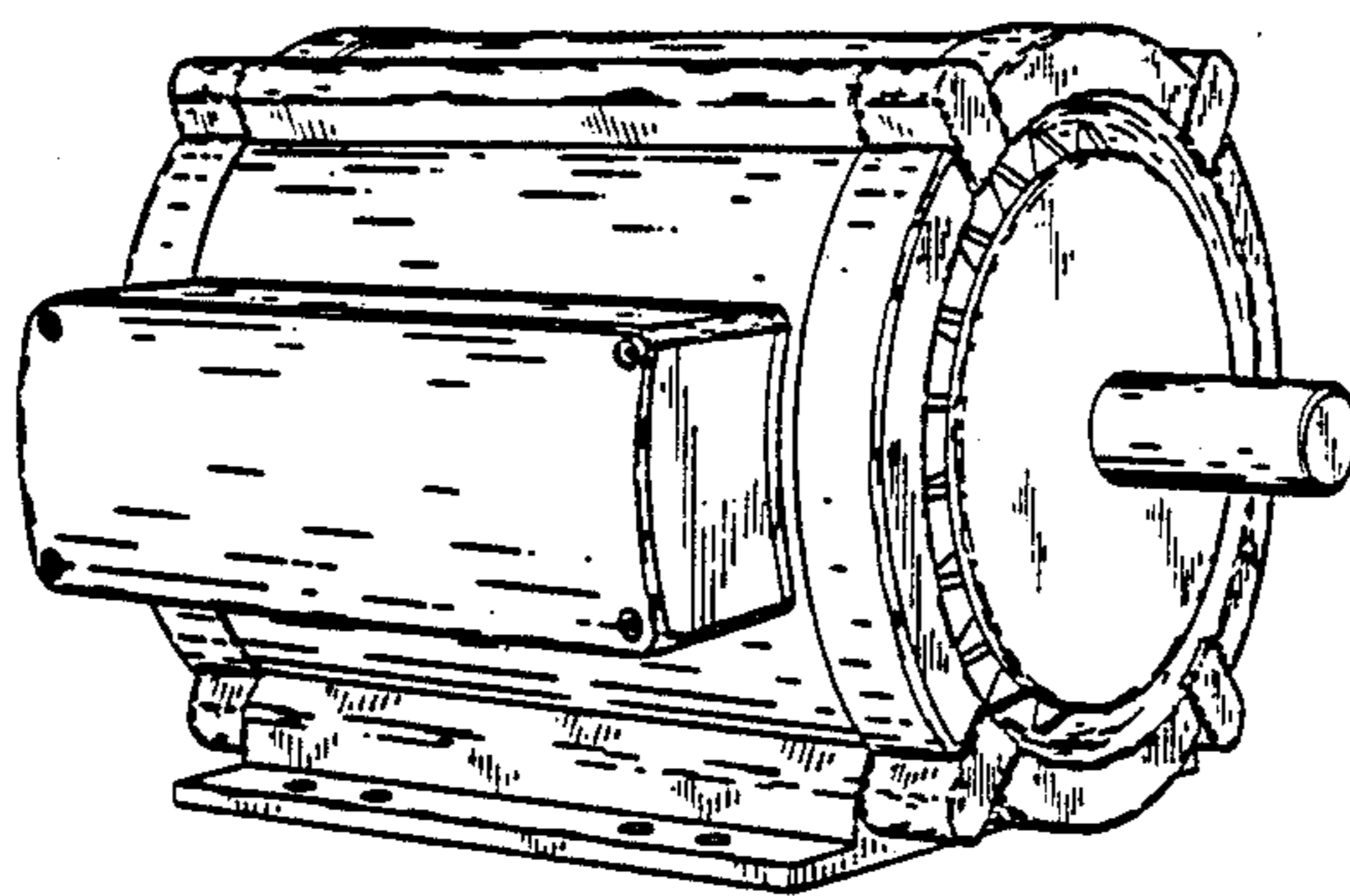
FIG. 5 is a rear end elevational view thereof;

FIG. 6 is a top plan view thereof;

FIG. 7 is a bottom plan view thereof;

FIG. 8 is a front end elevational view of a second embodiment of a dynamoelectric machine showing my new design, other elevational views and plan views being the same as the first embodiment FIGS. 2, 3, 5, 6 and 7.

FIG. 9 is a front end elevational view of a third embodiment of a dynamoelectric machine showing my new design, other elevational views and plan views being the same as the first embodiment FIGS. 2, 3, 5, 6 and 7.



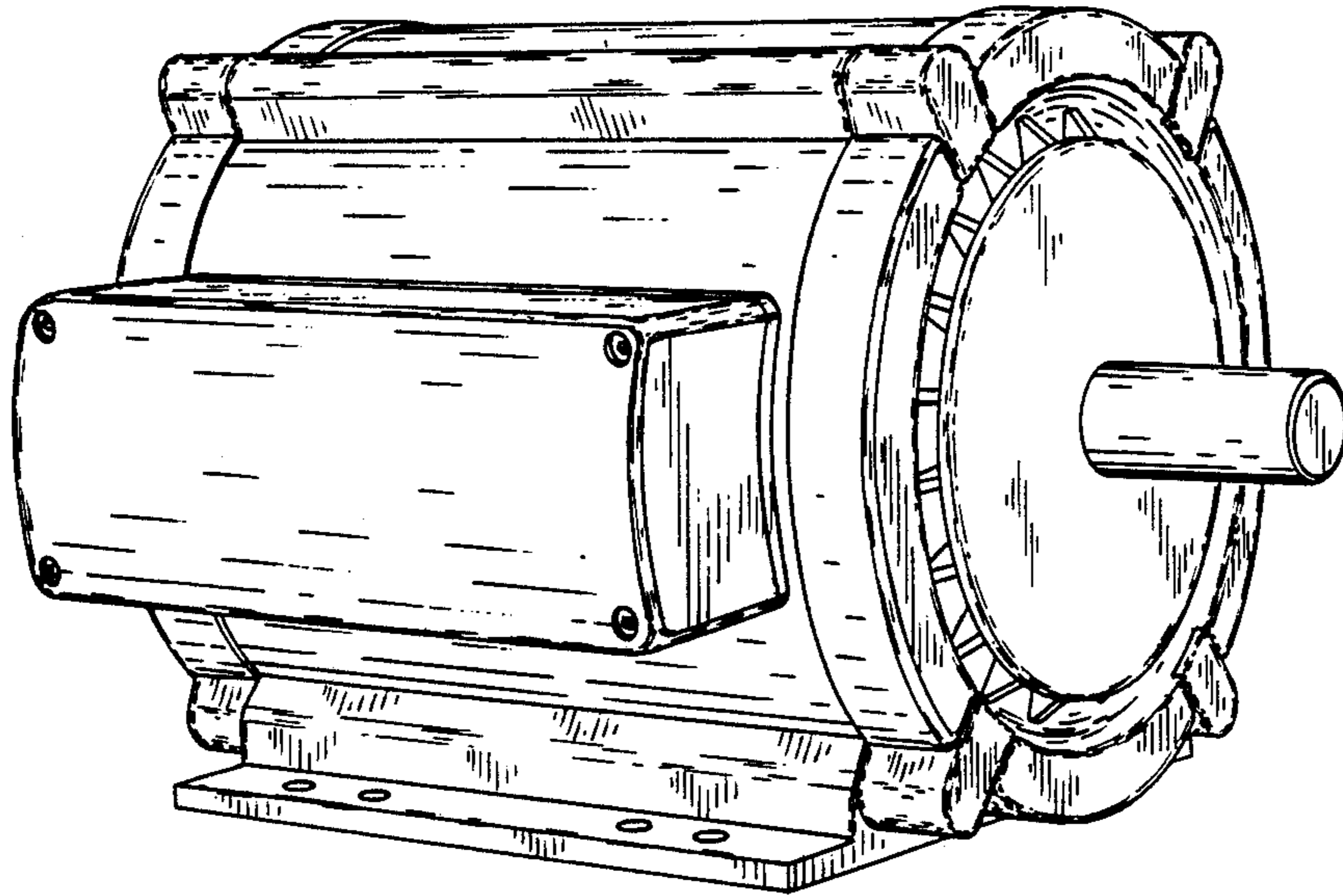


FIG. 1

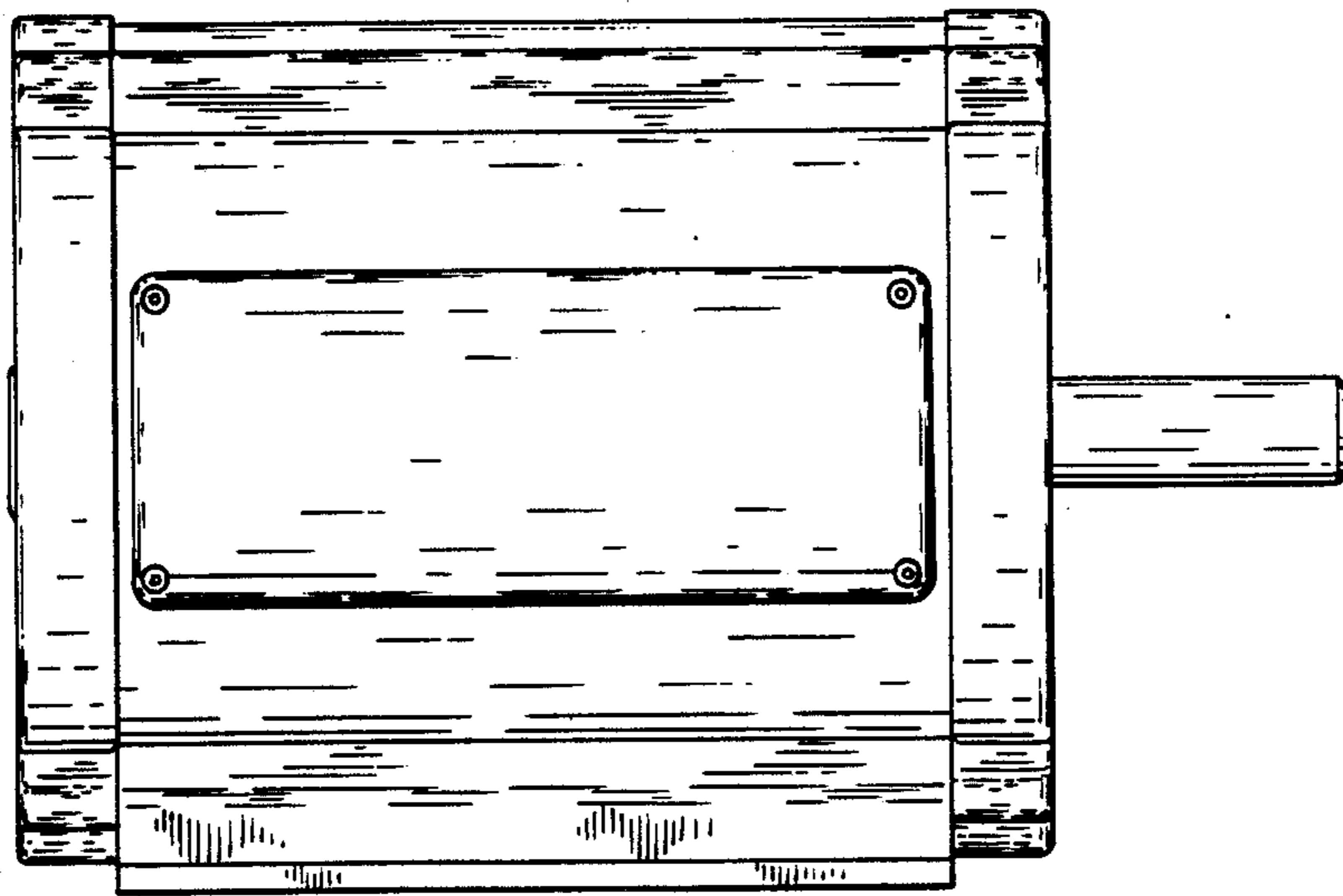


FIG. 2

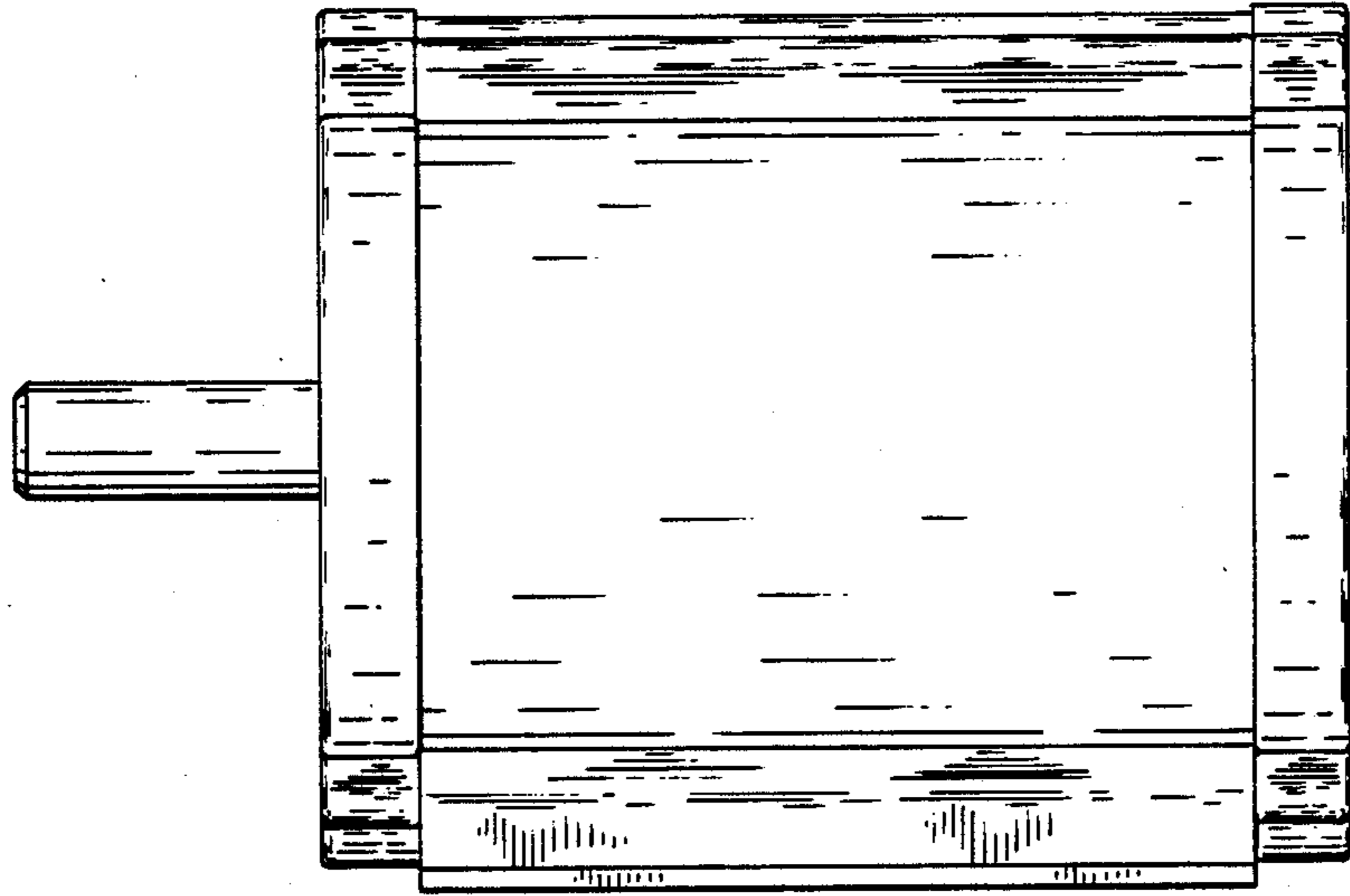


FIG. 3

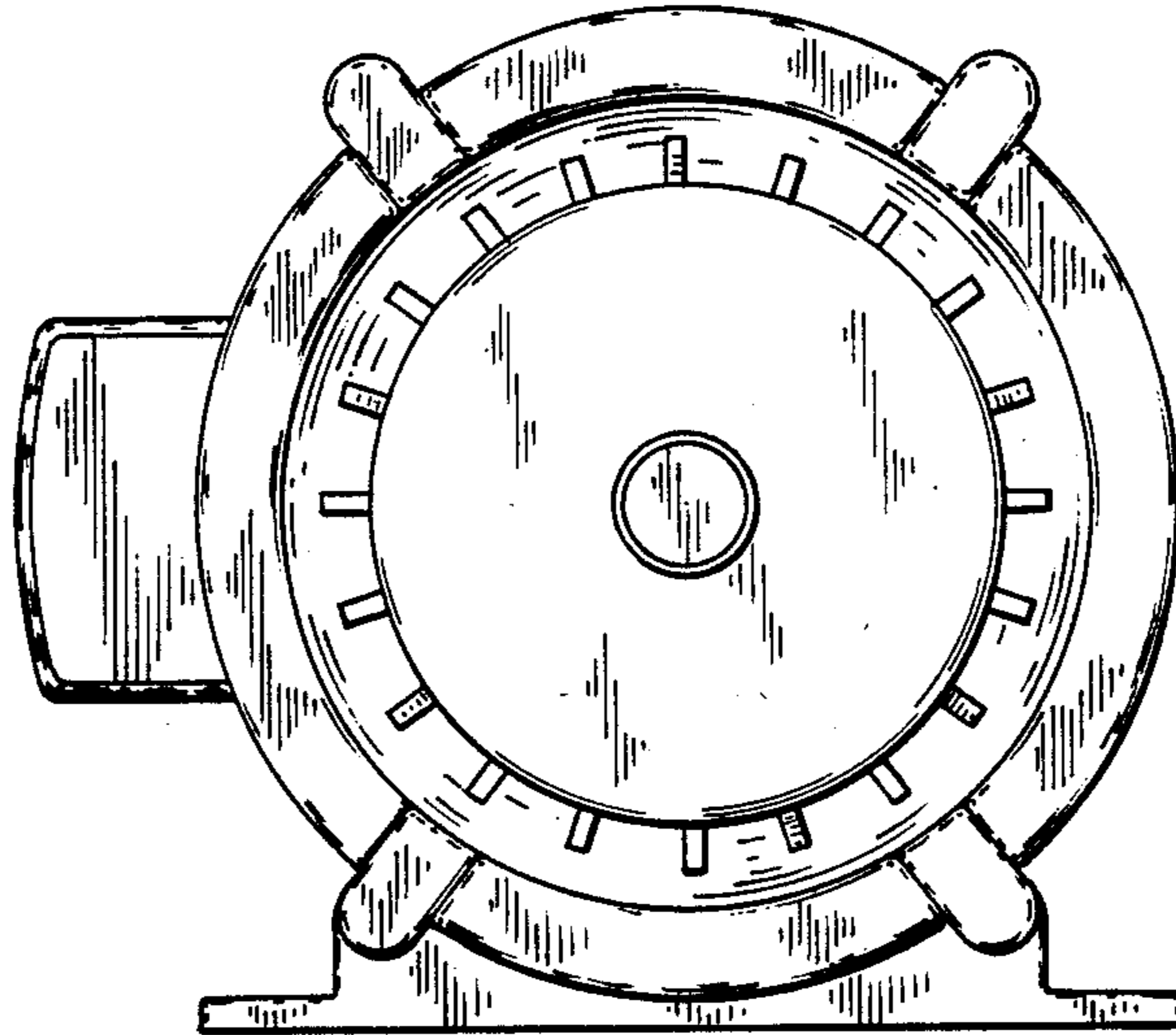


FIG. 4

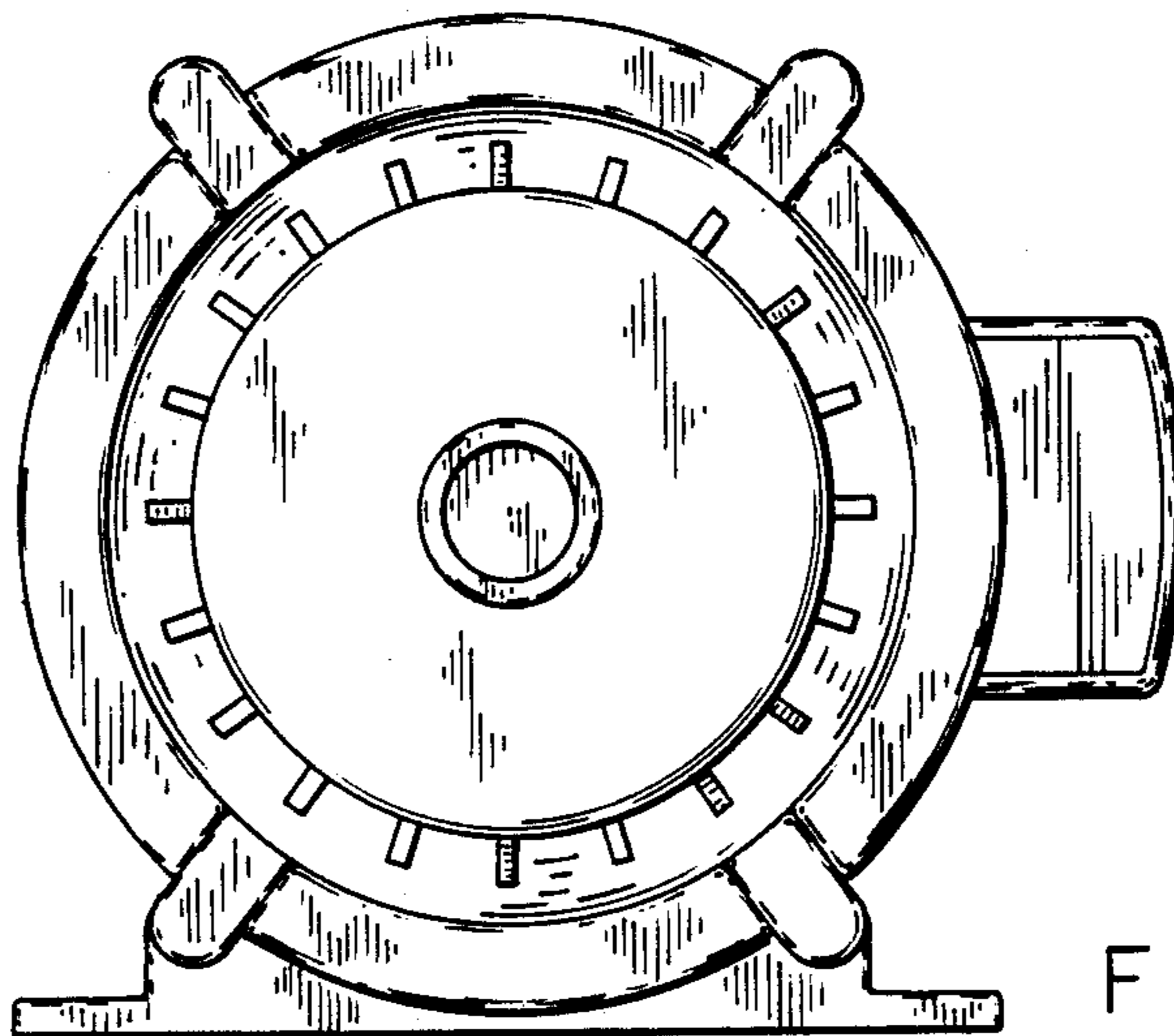


FIG. 5

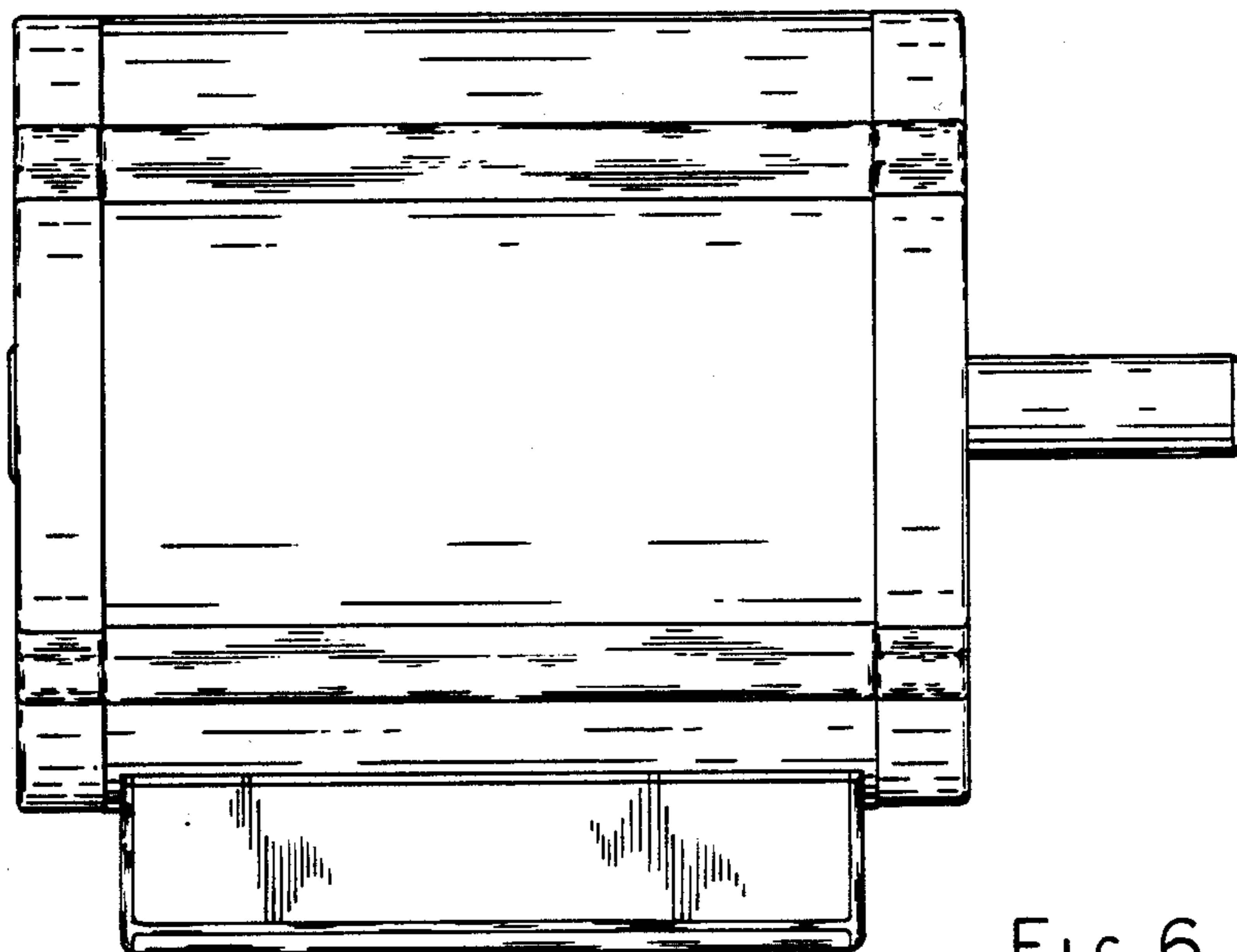


FIG. 6

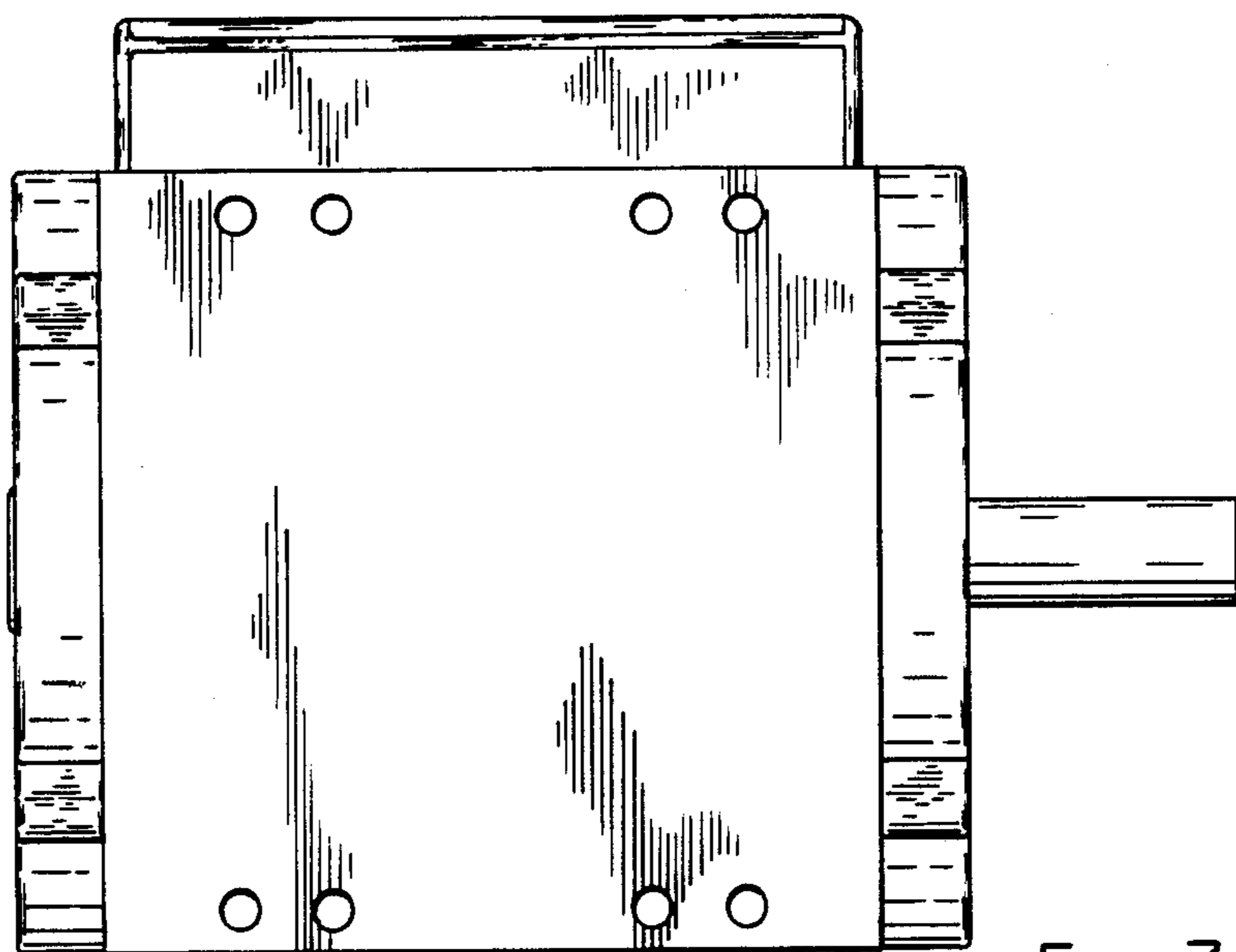


FIG. 7