

[54] **MOTORCYCLE**

[75] **Inventors:** Takashi Maruyama, Oomiya; Shinri Chibuka, Wako; Tomonori Mogi, Tsurugashima, all of Japan

[73] **Assignee:** Honda Giken Kogyo Kabushiki Kaisha, Tokyo, Japan

[**] **Term:** 14 Years

[21] **Appl. No.:** 110,802

[22] **Filed:** Oct. 21, 1987

[30] **Foreign Application Priority Data**

Apr. 22, 1987 [JP] Japan 62-15710

[52] **U.S. Cl.** D12/110

[58] **Field of Search** D12/110; 180/219, 220

[56] **References Cited**

PUBLICATIONS

Cycle World, 6/85, p. 28, Yamaha 250 Phazer, Suzuki GF250, CBR250 (Honda) Motorcycles.

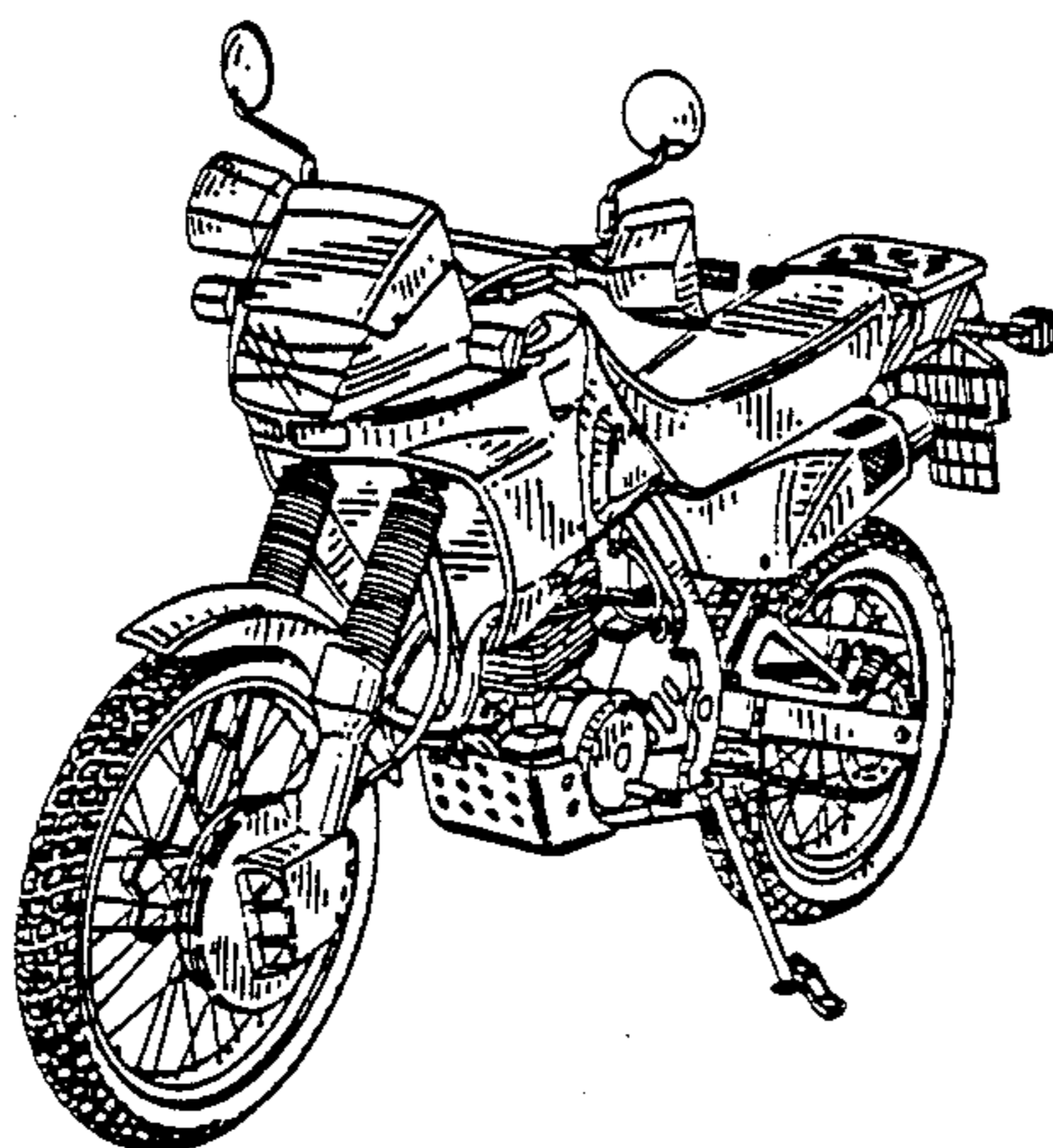
Primary Examiner—James M. Gandy
Assistant Examiner—Melody Brown
Attorney, Agent, or Firm—Armstrong, Nikaido, Marmelstein, Kubovcik & Murray

[57] **CLAIM**

The ornamental design for a motorcycle, as shown and described.

DESCRIPTION

FIG. 1 is a front, right side perspective view of a first embodiment of a motorcycle showing our new design. FIG. 2 is a left side elevation view thereof. FIG. 3 is a right side elevation view thereof. FIG. 4 is a front perspective view thereof. FIG. 5 is a rear perspective view thereof. FIG. 6 is a top plan view thereof. FIG. 7 is a front, left side perspective view of a second embodiment of a motorcycle showing our new design. FIG. 8 is a left side elevation view thereof. FIG. 9 is a right side elevation view thereof. FIG. 10 is a front perspective view thereof. FIG. 11 is a rear perspective view thereof. FIG. 12 is a top plan view thereof.



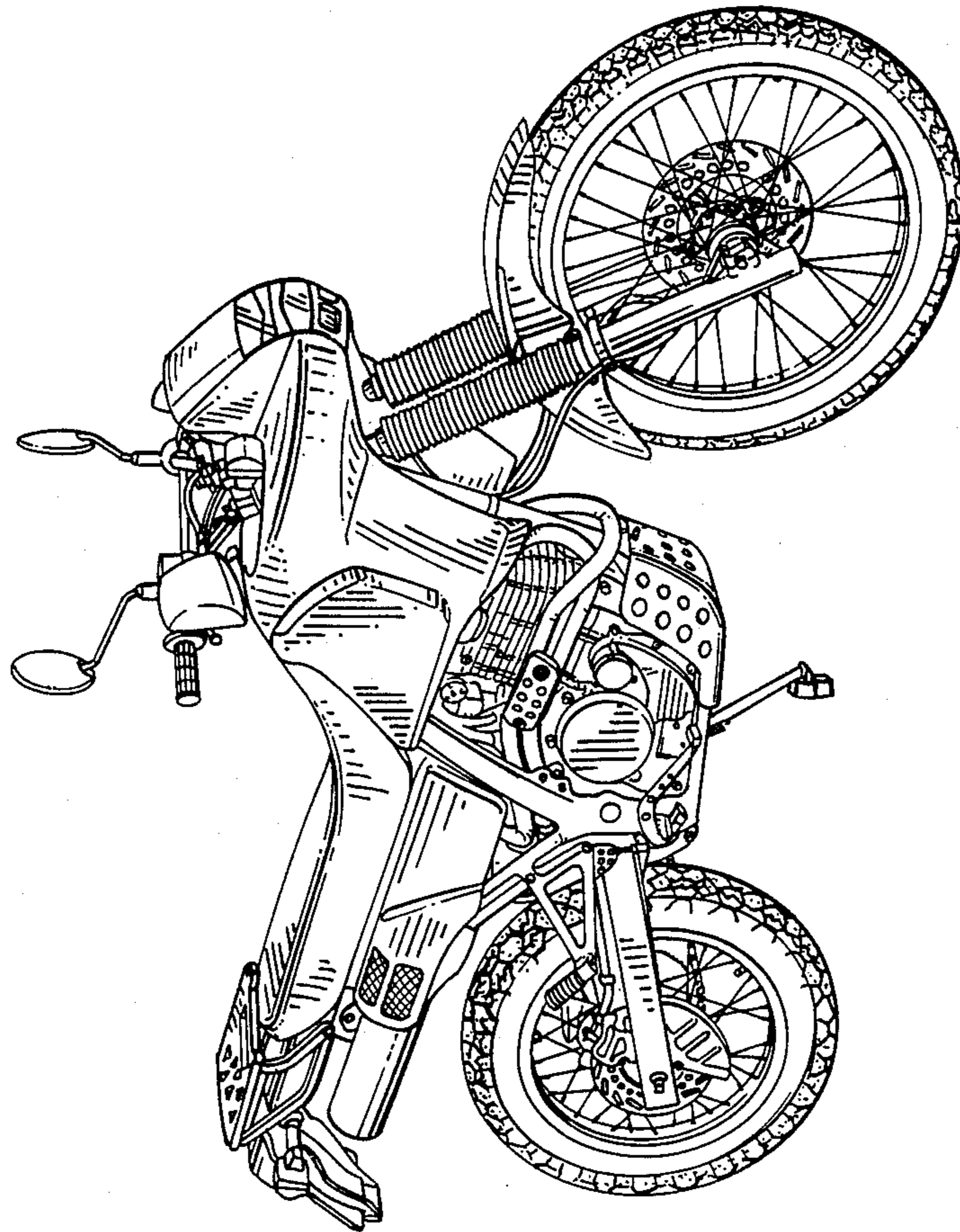


Fig. 1

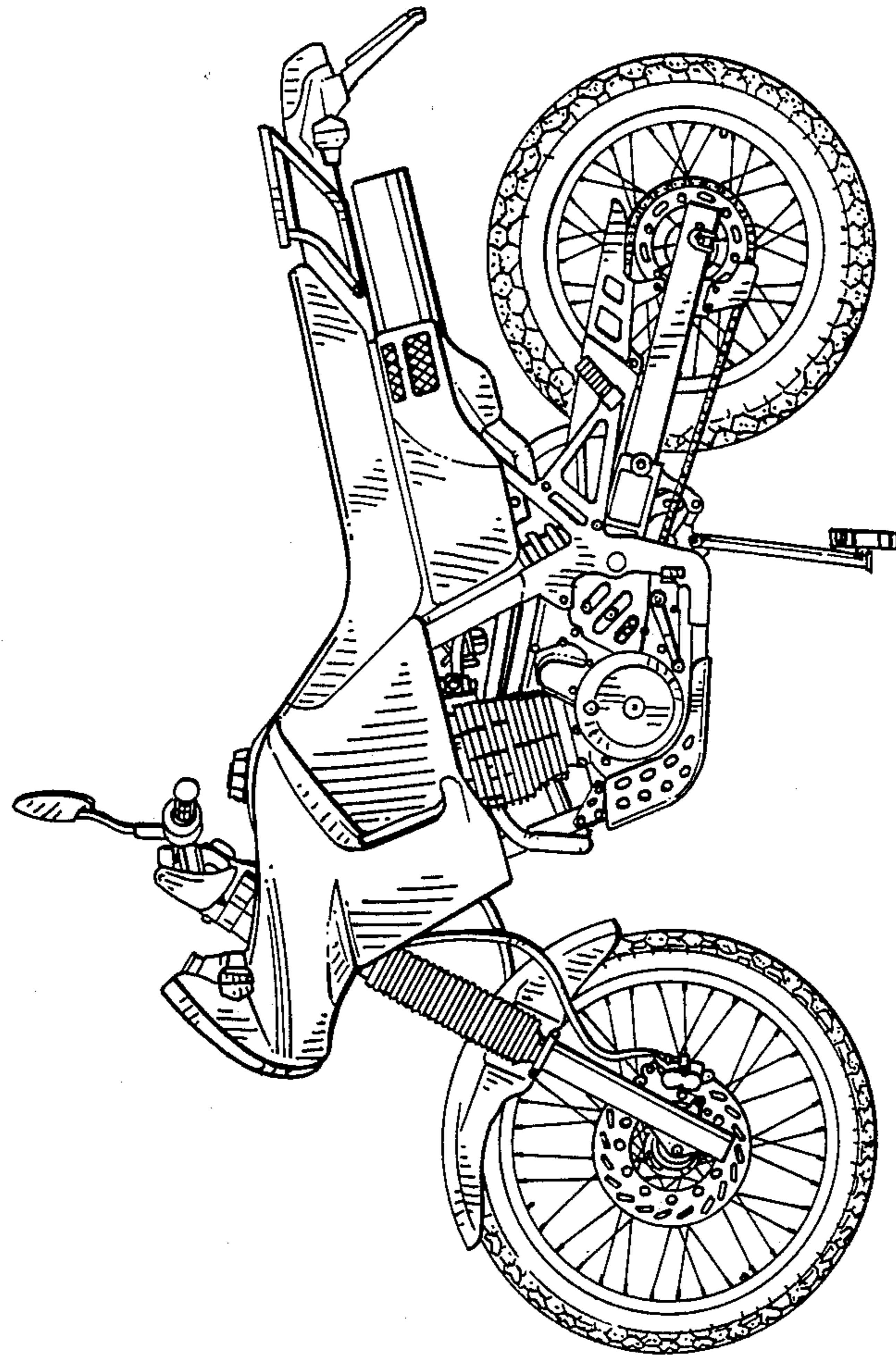


Fig. 2

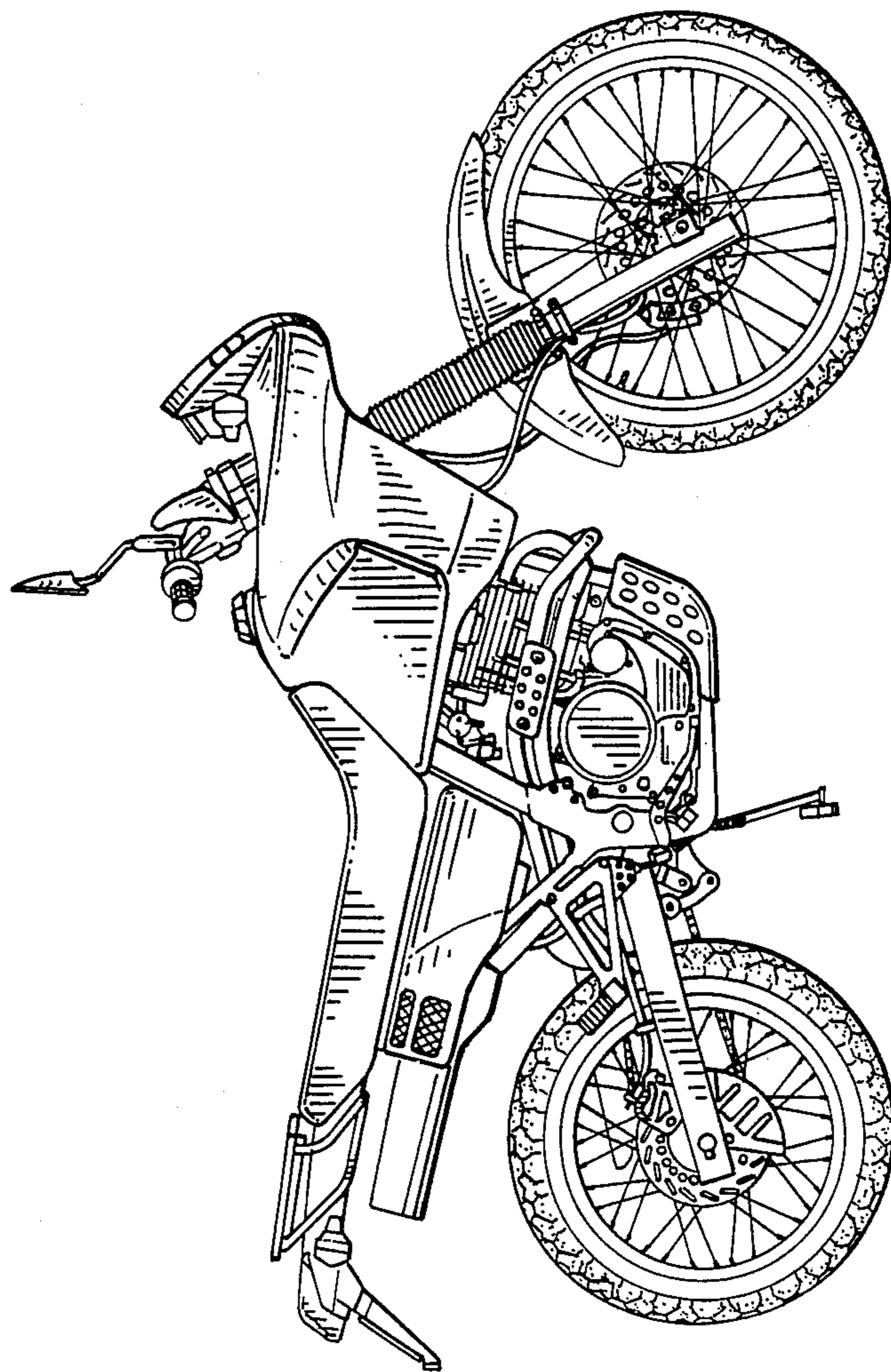


Fig. 3

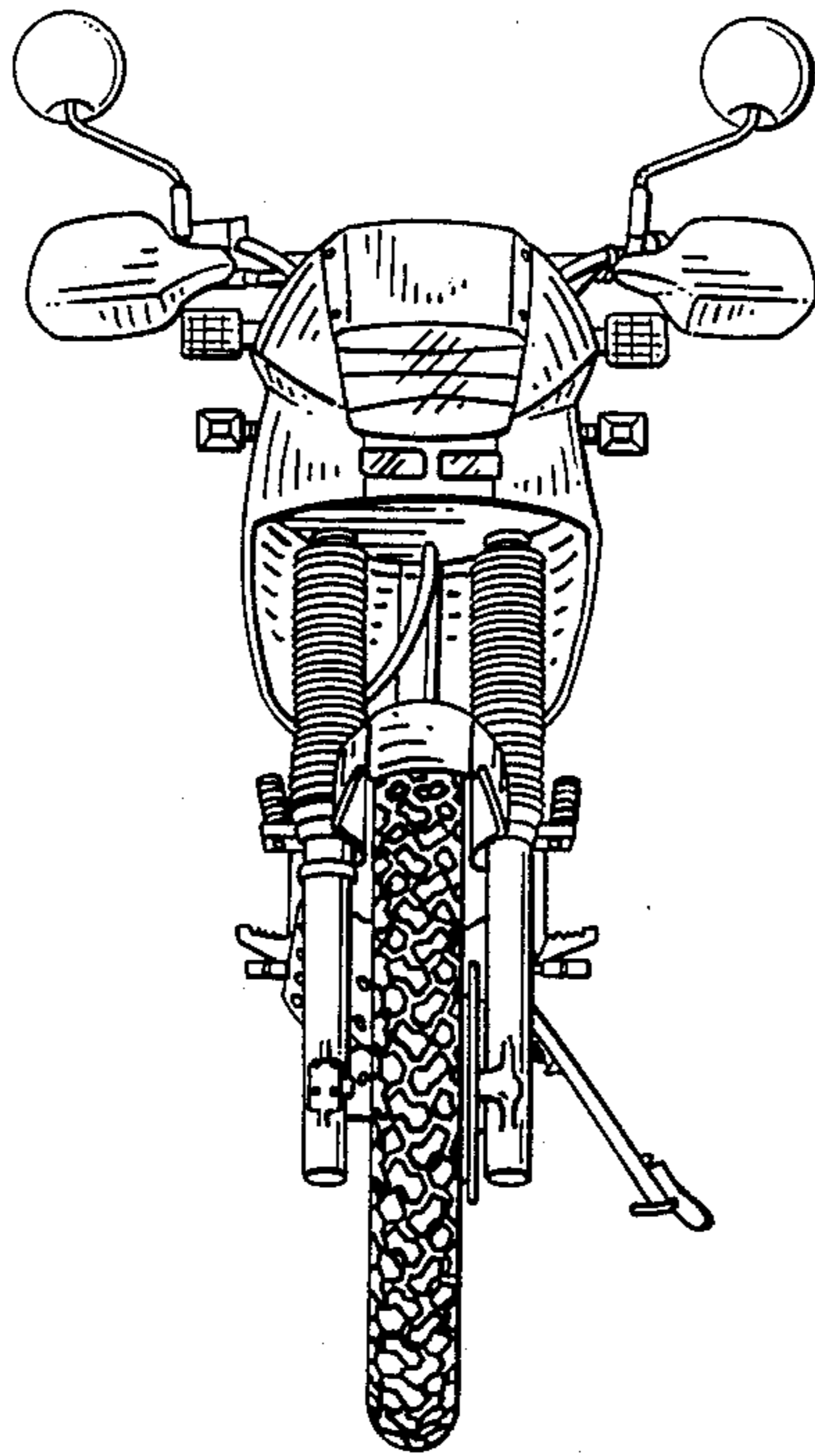


Fig. 4

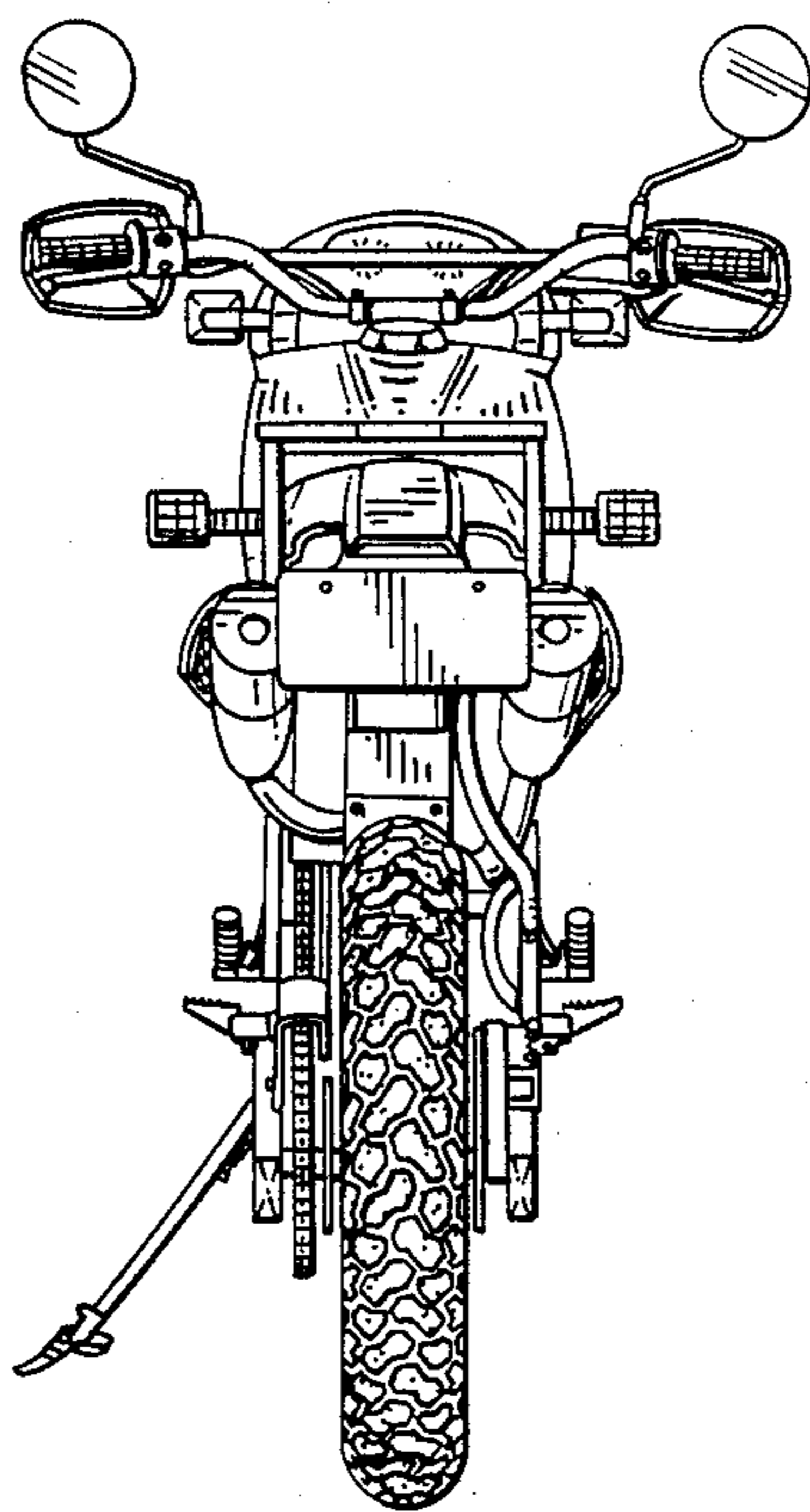


Fig. 5

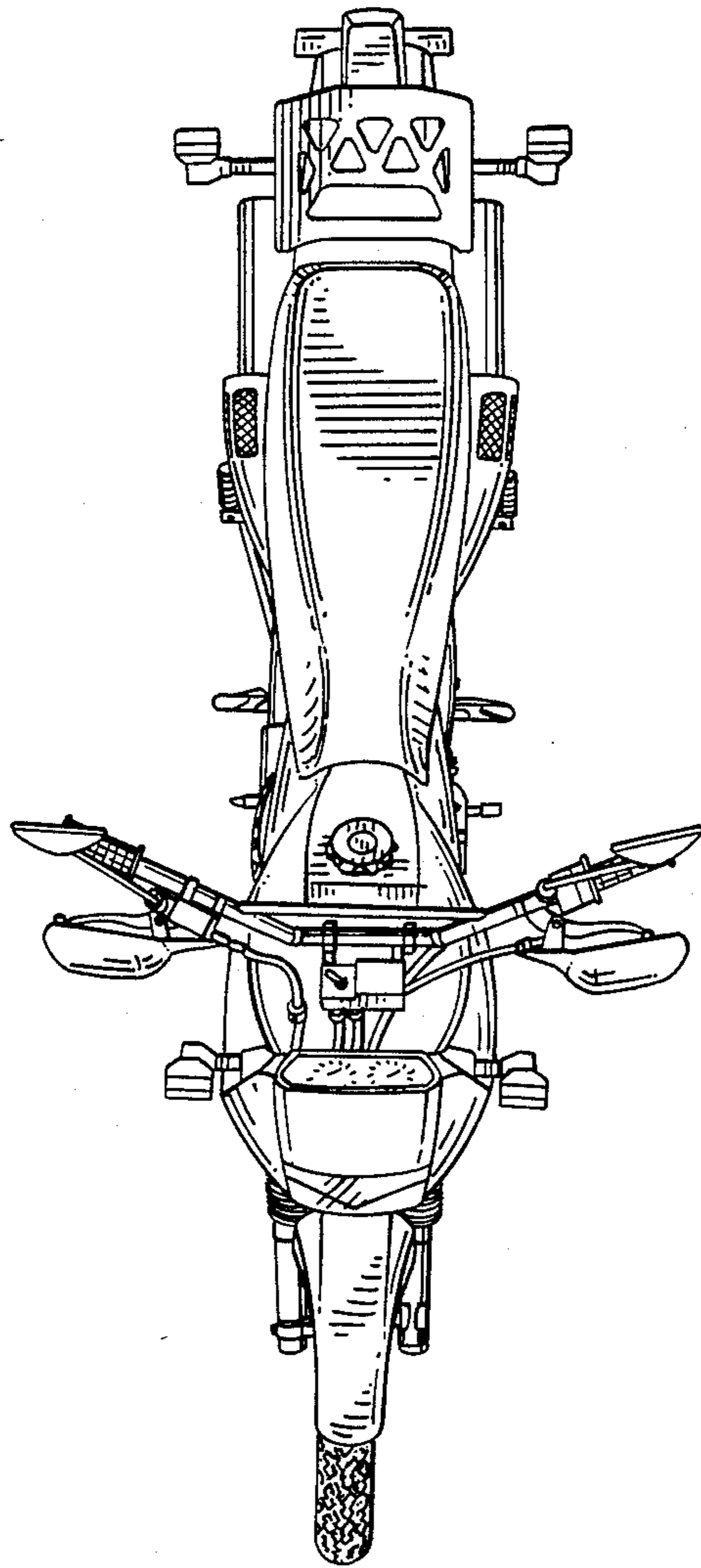


Fig. 6

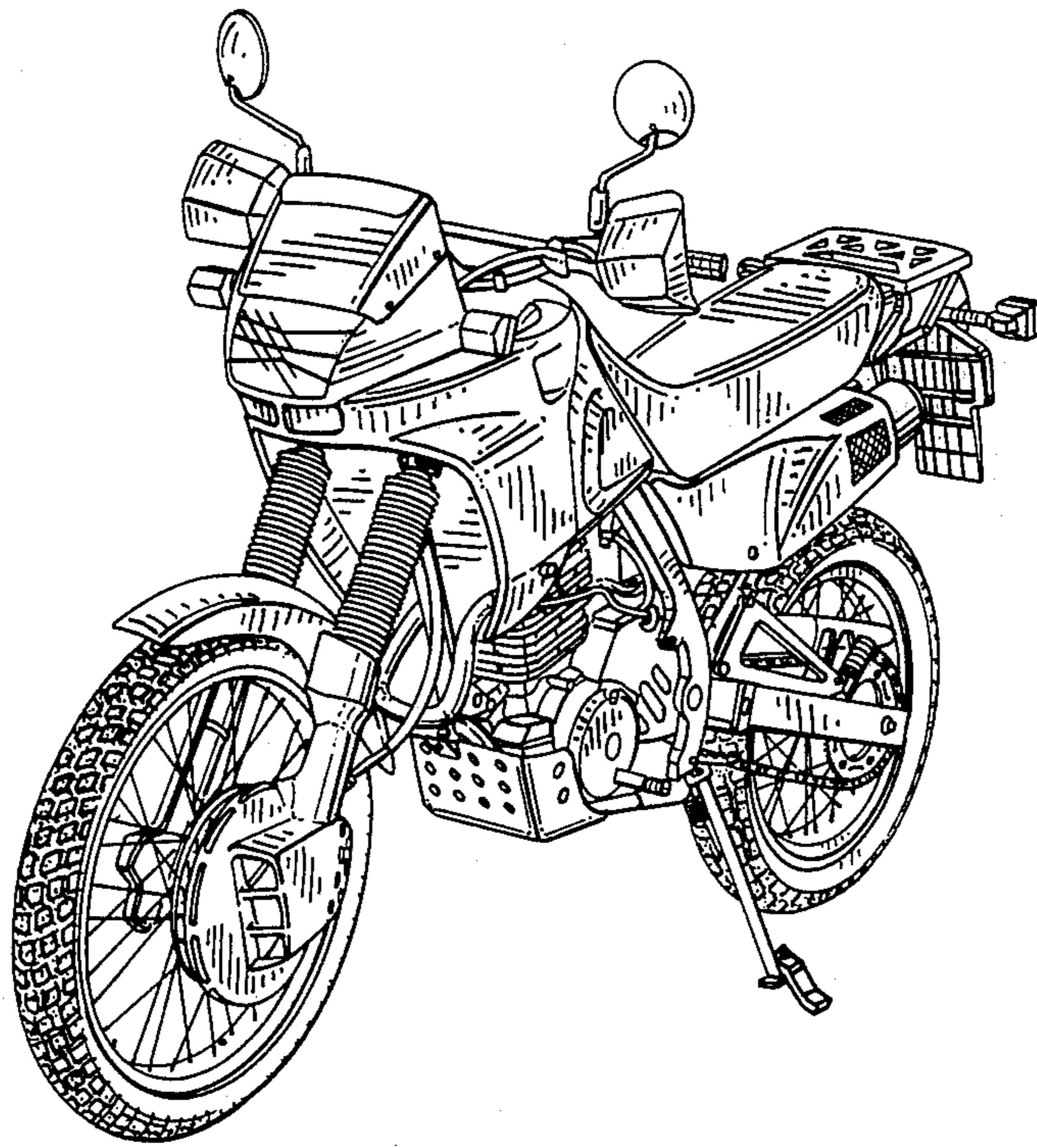


Fig. 7

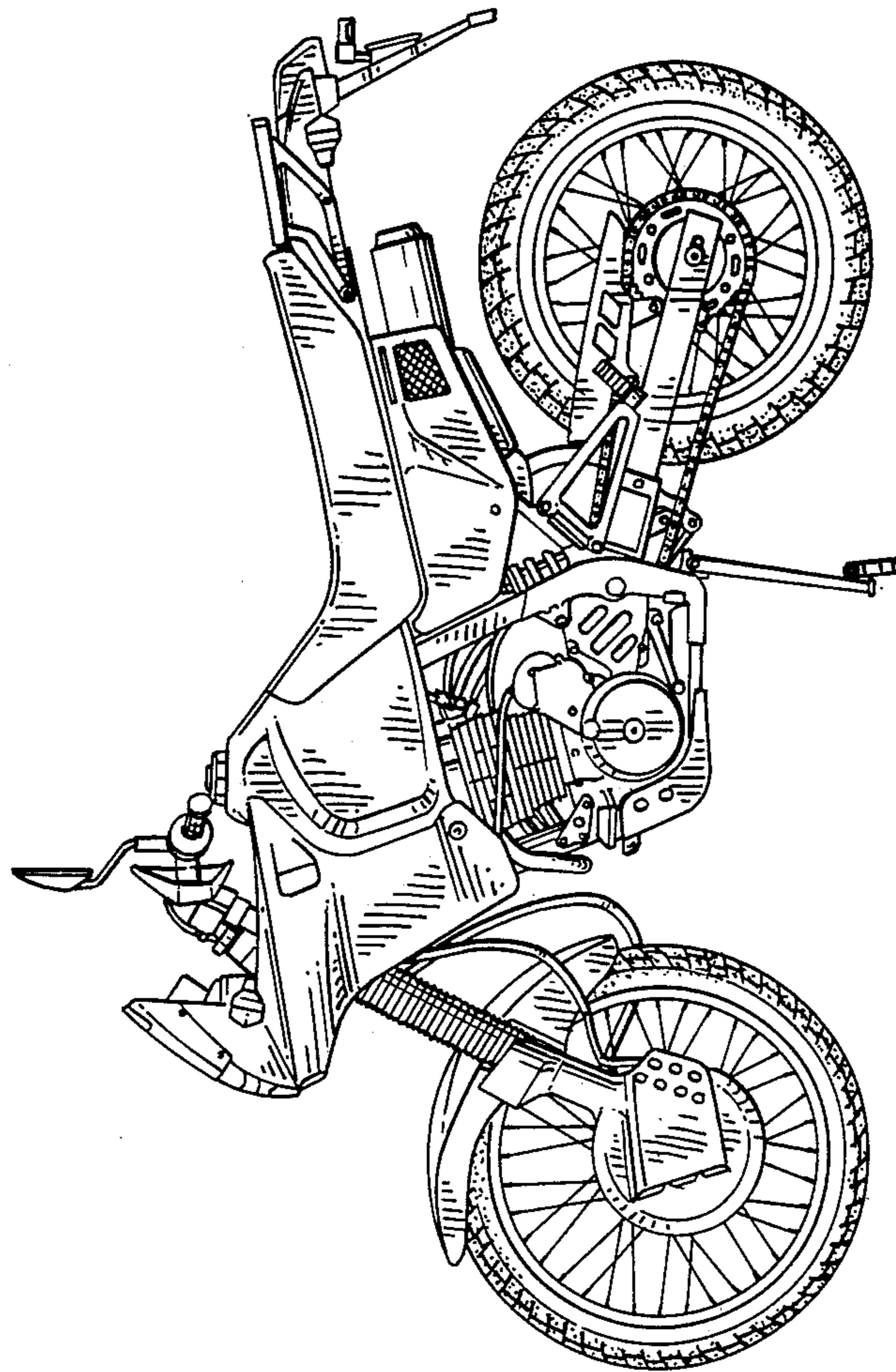


Fig. 8

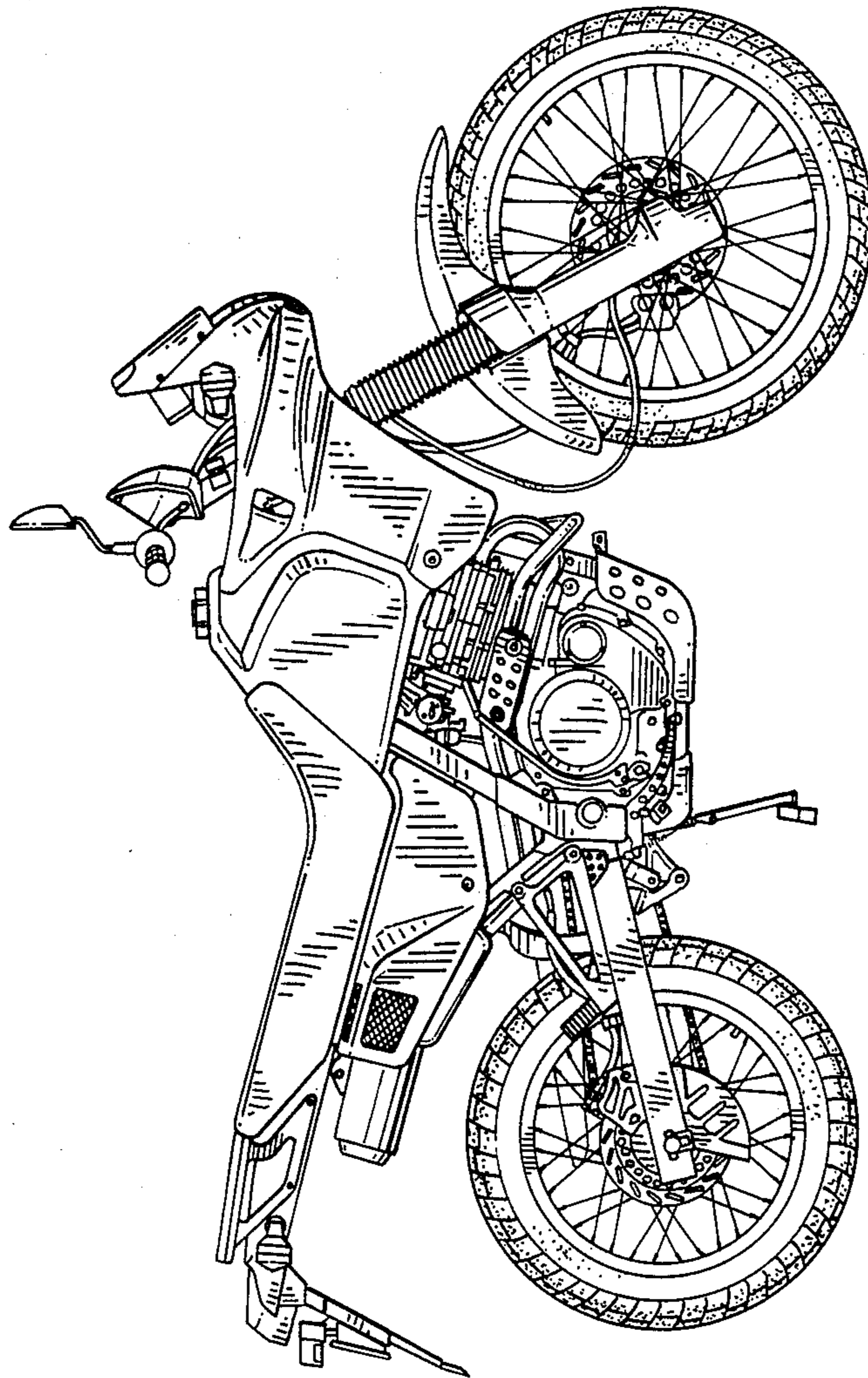


Fig. 9

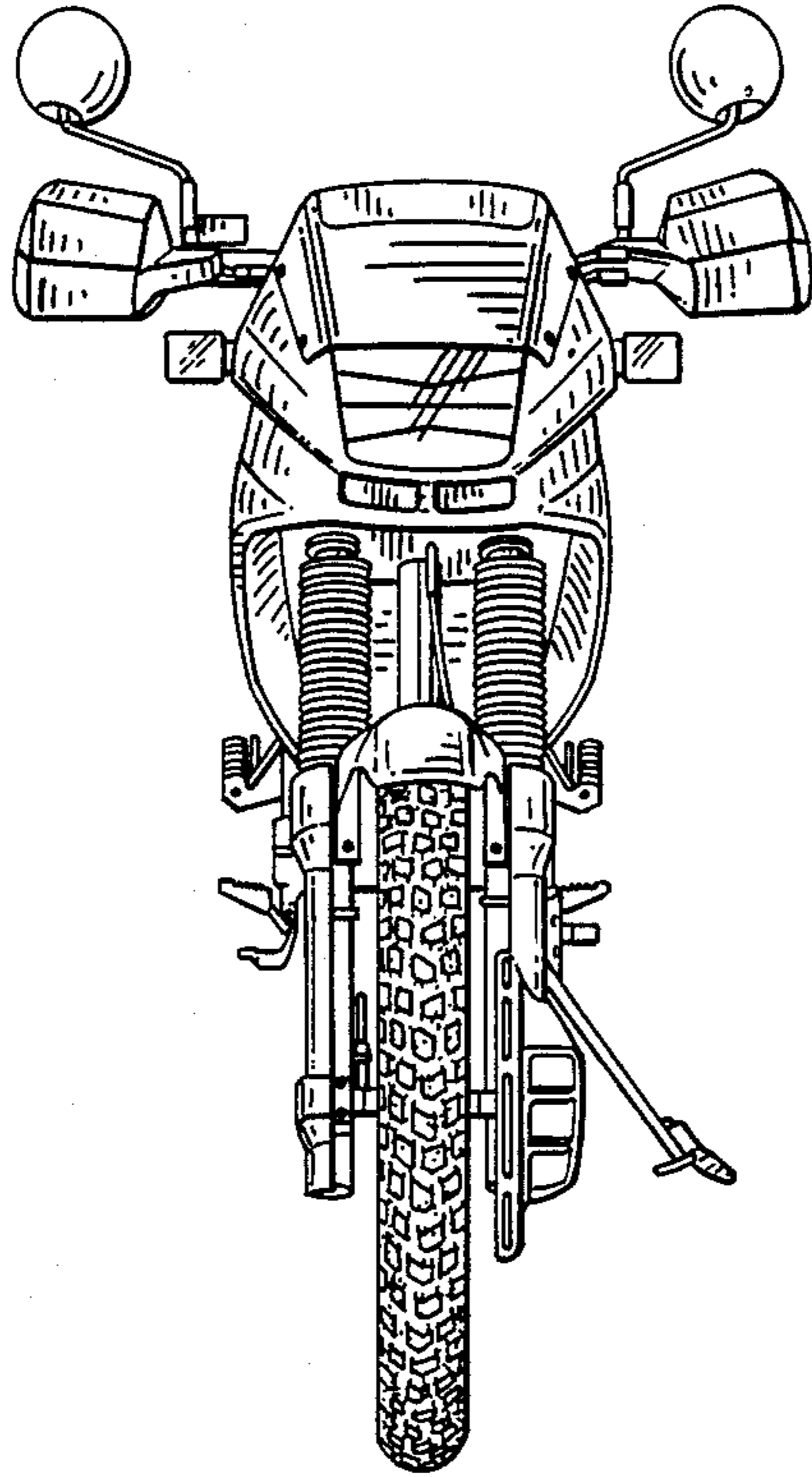


Fig. 10

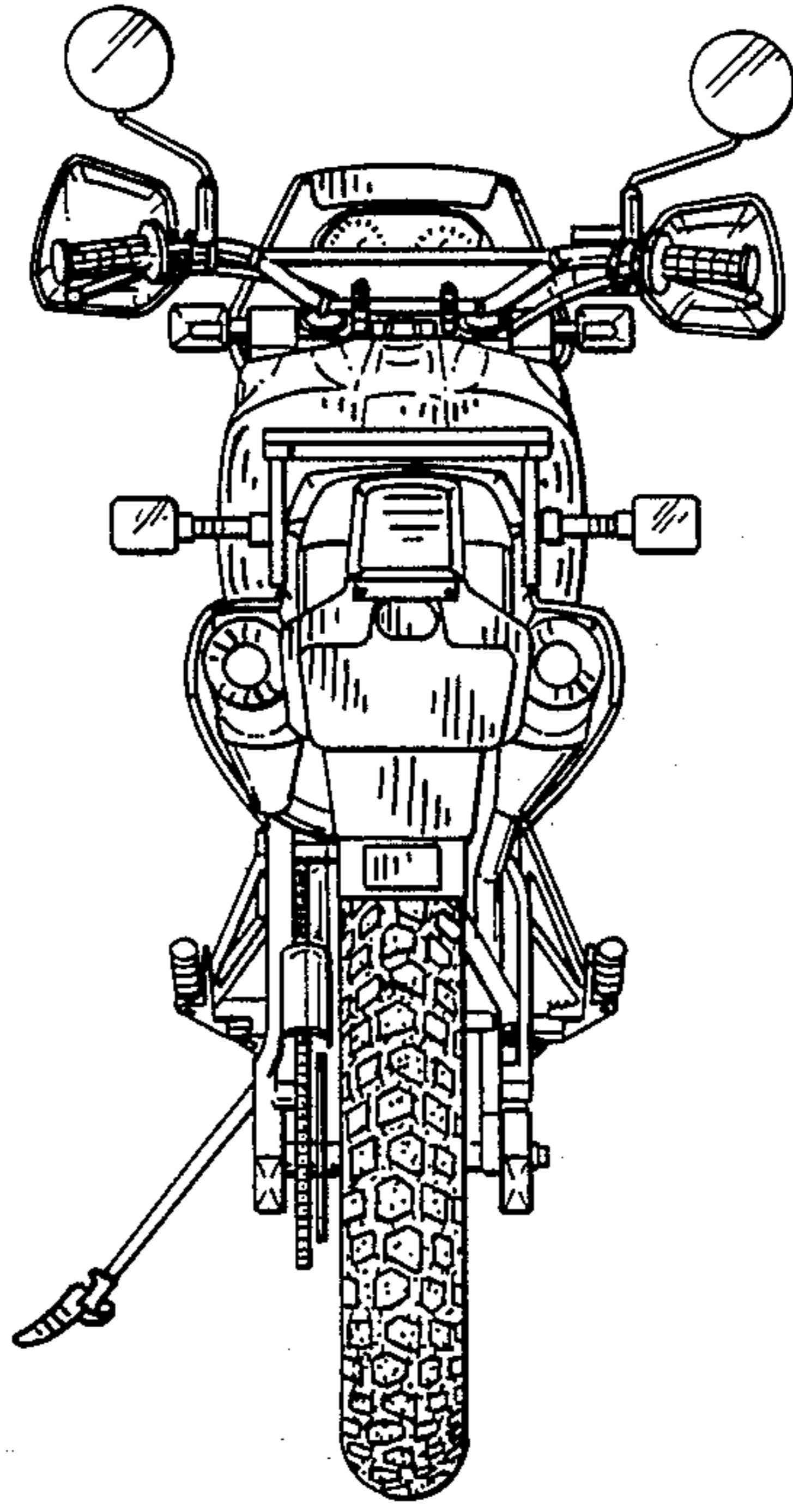


Fig. 11

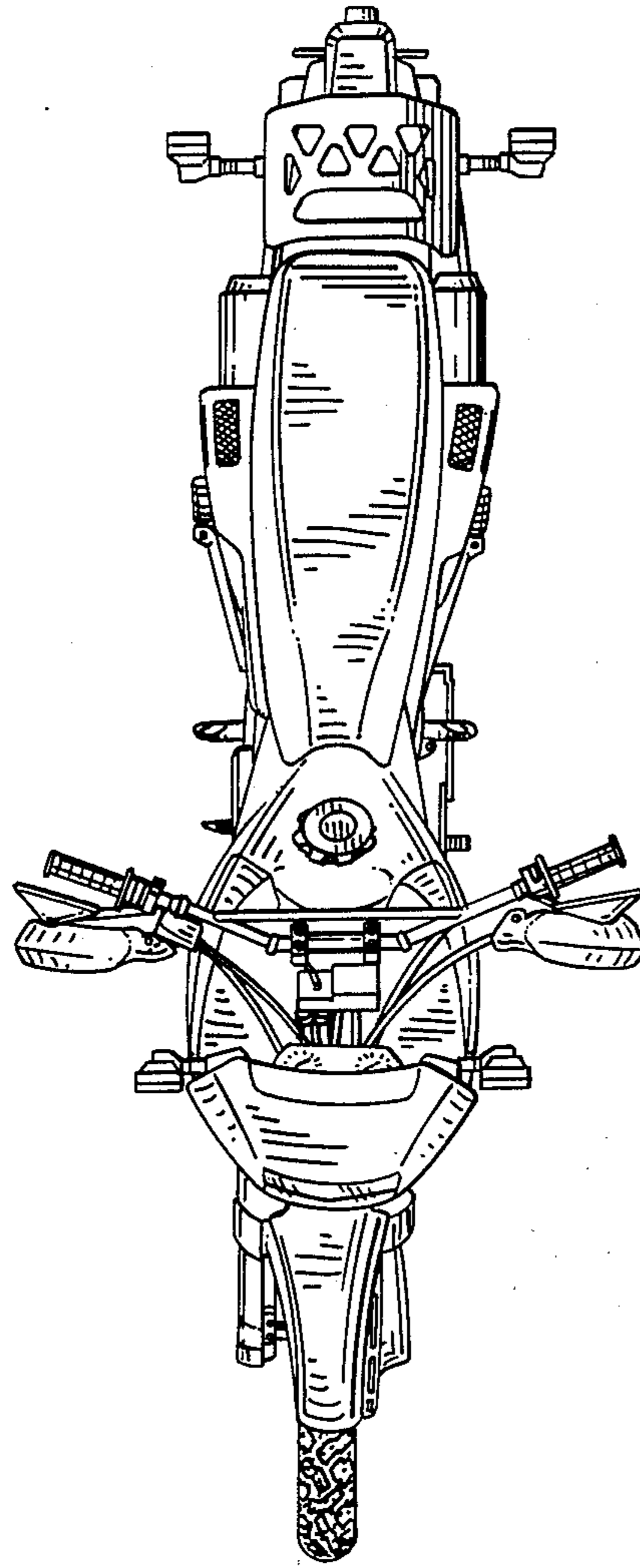


Fig. 12