

# United States Patent [19]

Leebeek

[11] Patent Number: **Des. 306,265**

[45] Date of Patent: **\*\* Feb. 27, 1990**

[54] BOTTLE CAP

3,163,318 12/1964 Frank ..... 220/306  
4,573,600 3/1986 Dubach ..... 220/339

[75] Inventor: Anton C. G. Leebeek, Brussels, Belgium

*Primary Examiner*—Bernard Ansher  
*Assistant Examiner*—David Jeo  
*Attorney, Agent, or Firm*—R. C. Witte; T. H. O’Flaherty; J. V. Gorman

[73] Assignee: The Procter & Gamble Company, Cincinnati, Ohio

[\*\*] Term: 14 Years

[57] CLAIM

[21] Appl. No.: 114,259

The ornamental design for a bottle cap, as shown and described.

[22] Filed: Oct. 27, 1987

DESCRIPTION

[30] Foreign Application Priority Data

FIG. 1 is a top plan view of a bottle cap showing my new design;  
FIG. 2 is a left side elevational view thereof;  
FIG. 3 is a front elevational view thereof, the rear being a mirror image of the front shown;  
FIG. 4 is a right side elevational view thereof;  
FIG. 5 is a bottom plan view thereof;  
FIG. 6 is a front elevational view thereof with the cap in an open position, the rear being a mirror image of the front shown; and  
FIG. 7 is a top plan view thereof with the cap in the open position.

Apr. 27, 1987 [XB] Benelux ..... 04089-00

[52] U.S. Cl. .... D9/435

[58] Field of Search ..... D9/435, 434, 446, 449, D9/447, 450, 443; 215/316, 200, 224; 222/480, 565; 220/259, 283, 339

[56] References Cited

U.S. PATENT DOCUMENTS

D. 274,309 6/1984 Aldrich, III ..... D9/447  
D. 298,014 10/1988 McGlyn ..... D9/446

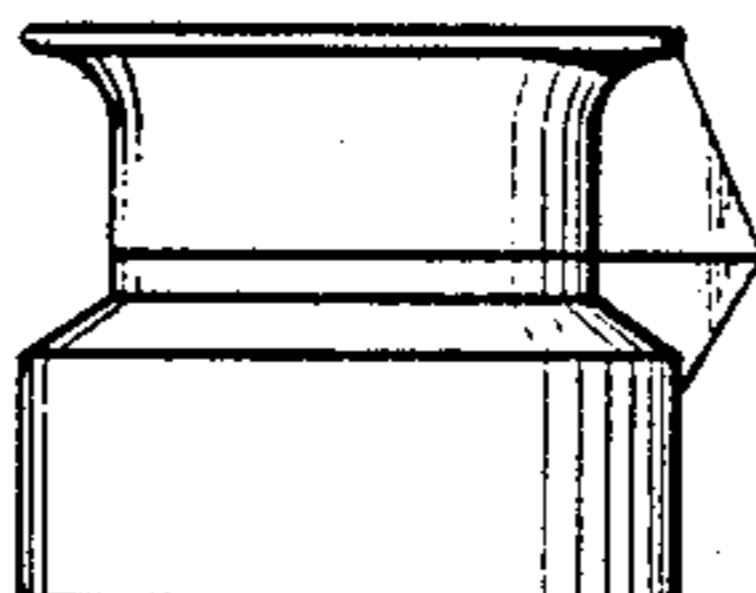


Fig. 1

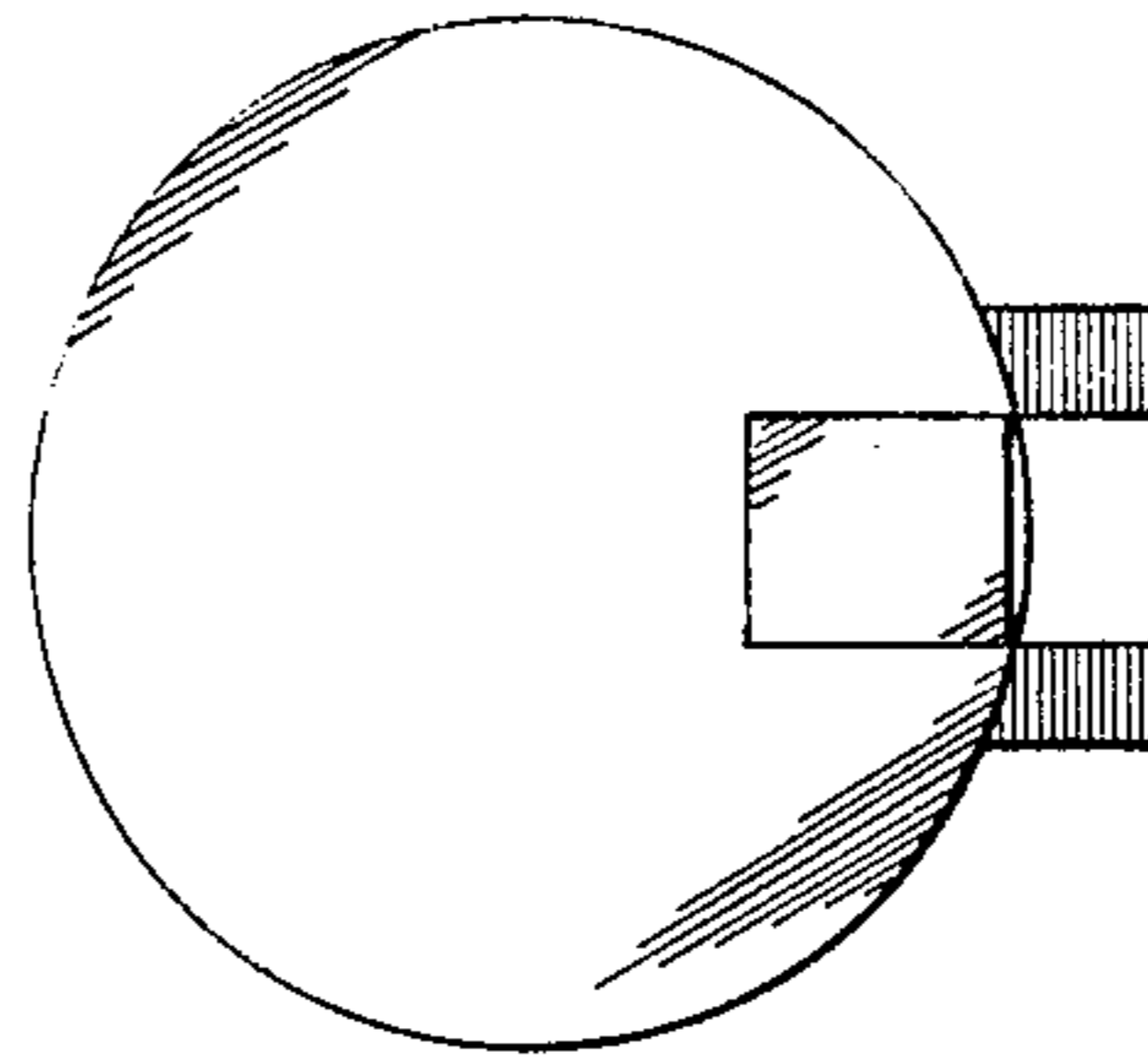


Fig. 2

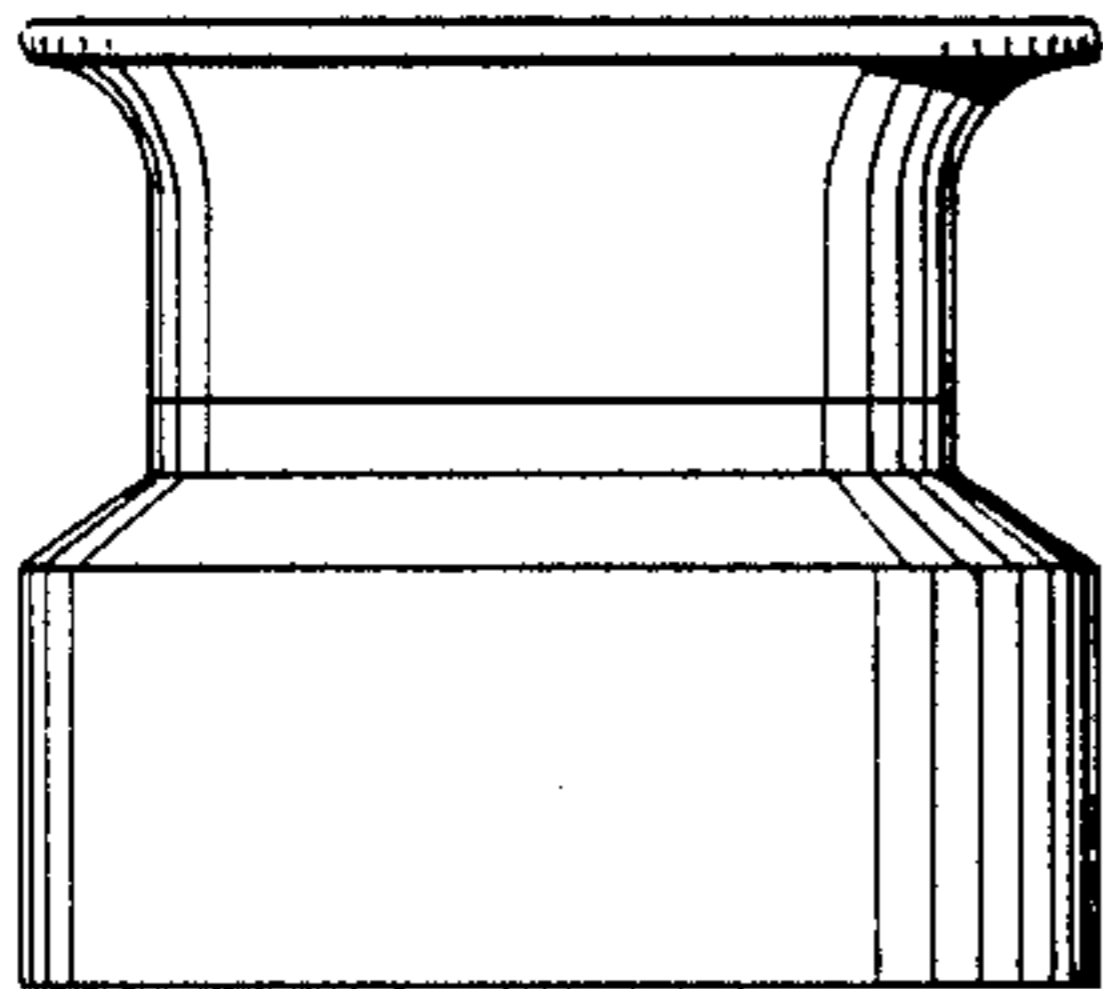


Fig. 3

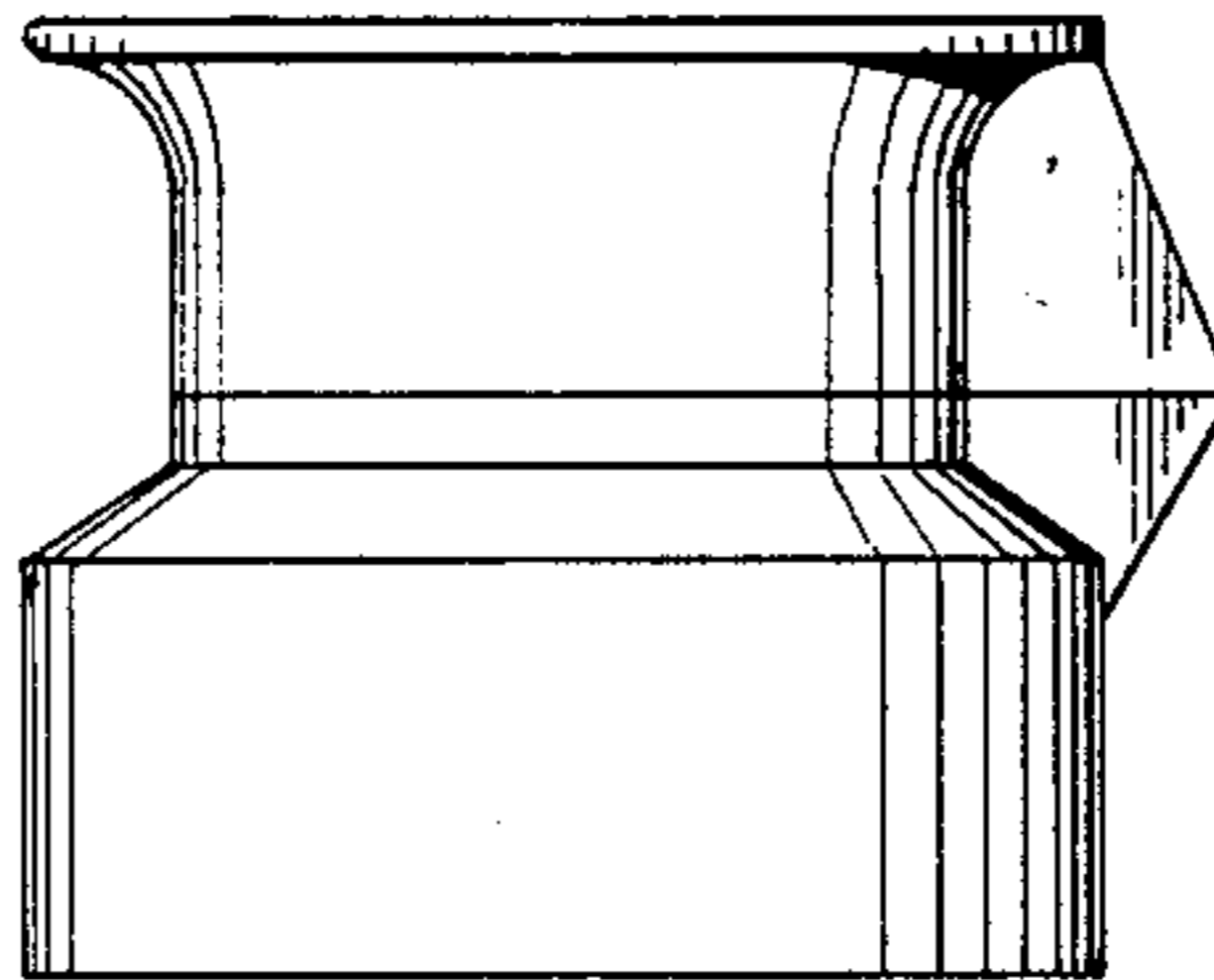


Fig. 4

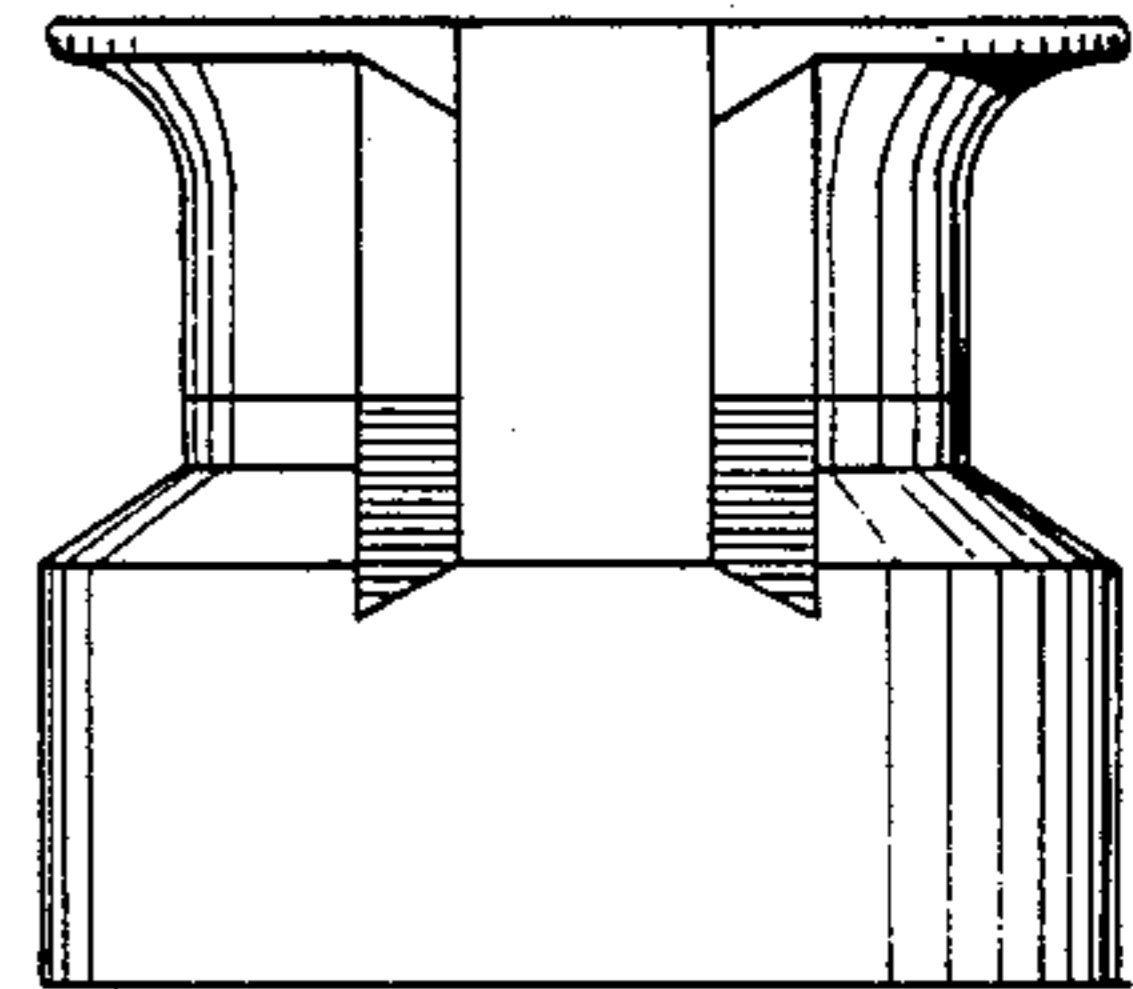


Fig. 5

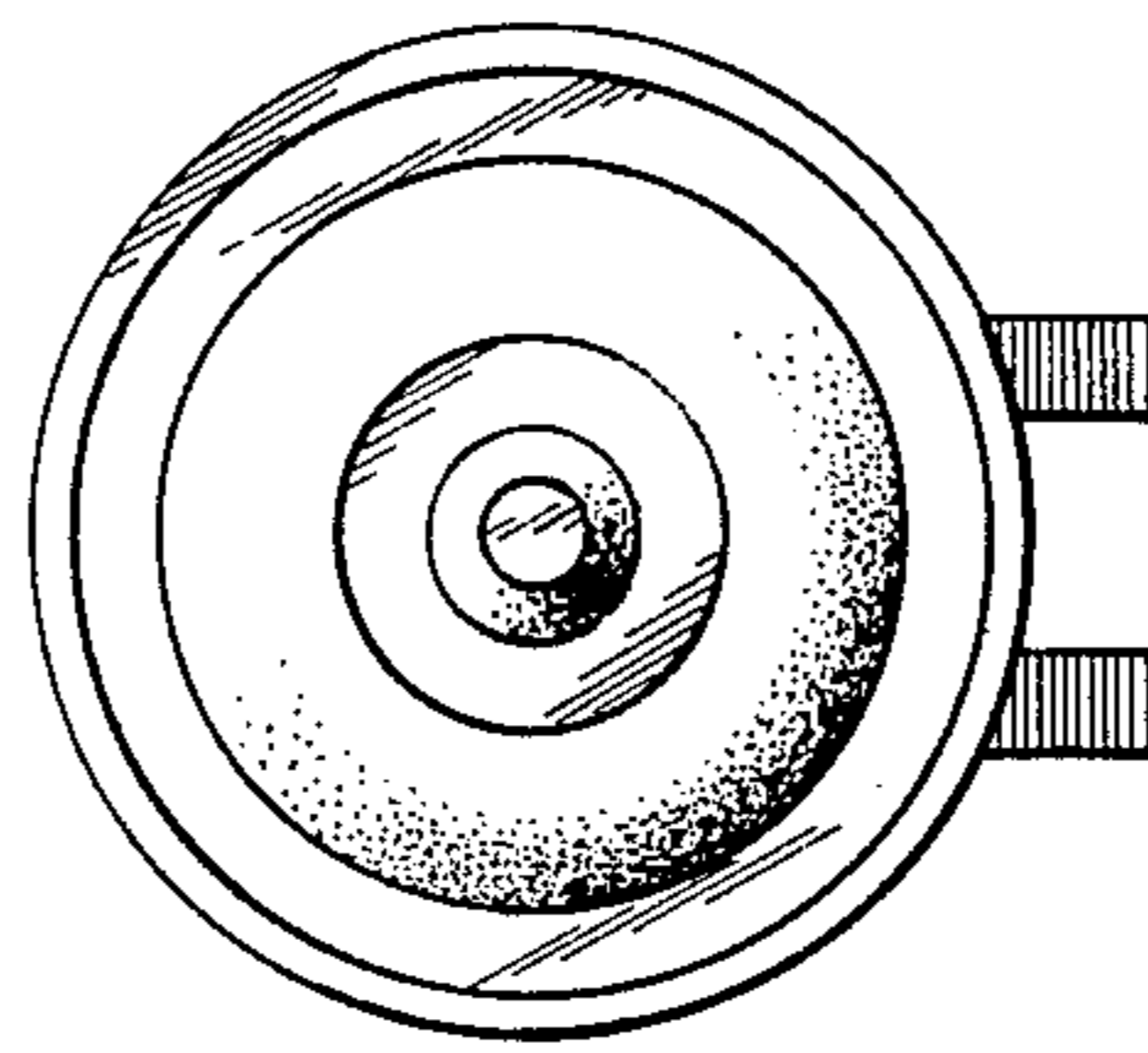


Fig.6

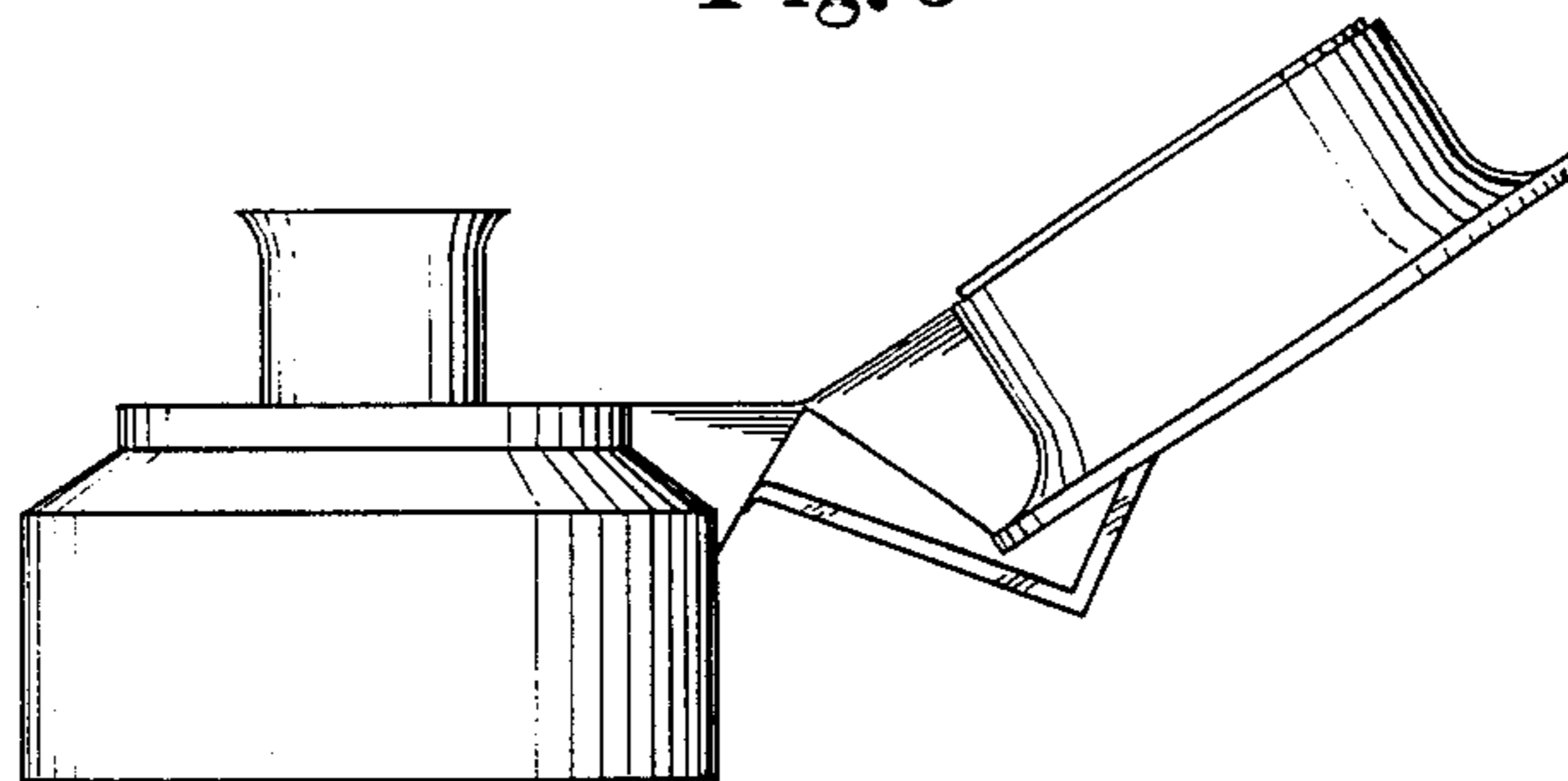


Fig.7

