

- [54] **AUTOMOBILE STEERING WHEEL LOCK ARM**
- [75] Inventor: **Charles R. Johnson**, Hudson, Ohio
- [73] Assignee: **James E. Winner, Jr.**, Sharon, Pa.
- [\*\*] Term: **14 Years**
- [21] Appl. No.: **104,097**
- [22] Filed: **Oct. 5, 1987**
- [52] U.S. Cl. .... **D8/331**
- [58] Field of Search ..... **D8/330-331, D8/333, 339-342, 343, 346; 70/57, 207, 209, 211, 221, 224, 237-238, 252**

Royce Union "Anti-Theft Steering Wheel & Brake Pedal Lok" #A23105.  
 Royce Union Security Products #A23105 and A23204. No date shown.  
 J. C. Whitney & Co. Catalog. ©1982. Catalog 430B, page 83 "Heavy Duty Steering Wheel & Brake Lock" 81-0336P. 1983.  
 Allison Catalog p. 70 Anti-Theft Devices: "Crook Hook" 1983 #8370.  
 New Items from Wolo Numbered pp. 00066-00067 copyright 1987.  
 Do-It-Yourself Automotive Products Numbered pp. 00052-00059 copyright 1987.  
 Automotive Security Products Numbered pages copyright 1987 00001-00028.  
 Automotive Security Products Numbered pages dated 9/1/84 00060-00065.  
 Automotive Security Products Numbered pages undated 00029-00051.

[56] **References Cited**

**U.S. PATENT DOCUMENTS**

D. 289,491	4/1987	Johnson	D8/330
D. 297,610	9/1988	Wang	D8/331
1,268,137	6/1918	Mailloux	292/147
1,364,539	1/1921	Baker et al.	70/199
1,448,658	3/1923	Furber	
2,528,746	11/1950	Giffin	70/181 X
3,245,239	4/1966	Zaidener	70/202
3,462,982	8/1969	Moore	70/209
3,664,164	5/1972	Zaidener	70/202
3,807,779	4/1974	Enders	292/147
4,103,524	8/1978	Mitchell et al.	70/209
4,304,110	12/1981	Fain	70/209

**FOREIGN PATENT DOCUMENTS**

402771	4/1970	Australia	.
106072	12/1966	Denmark	.
2718291	10/1978	Fed. Rep. of Germany	.
1127524	9/1968	United Kingdom	.
1554593	10/1979	United Kingdom	.
2024307	1/1980	United Kingdom	.
2039840	8/1980	United Kingdom	.

**OTHER PUBLICATIONS**

Advertisement from Daily News Classified 6/28/84.

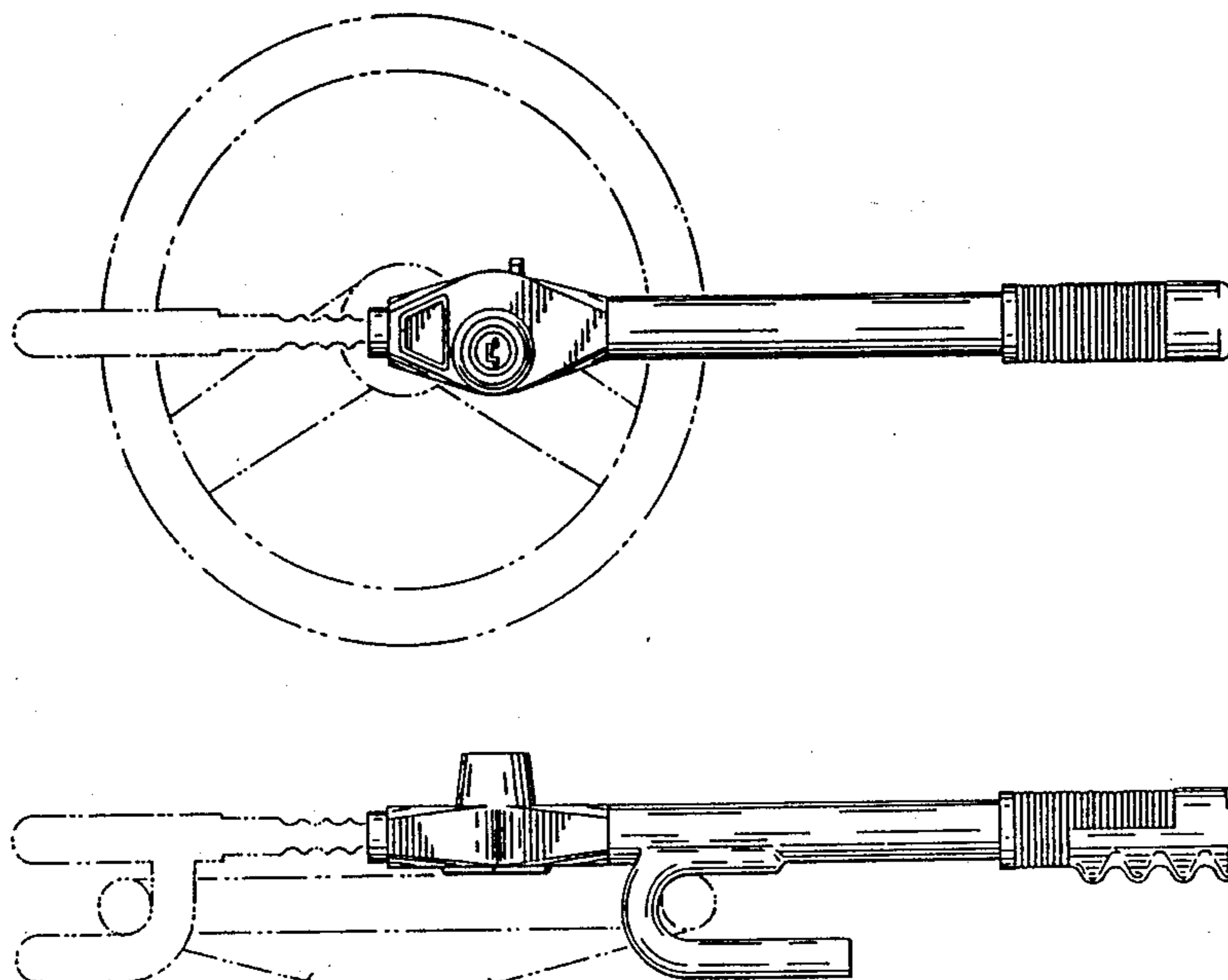
*Primary Examiner*—Wallace R. Burke  
*Assistant Examiner*—Brian N. Vinson  
*Attorney, Agent, or Firm*—Body, Vickers & Daniels

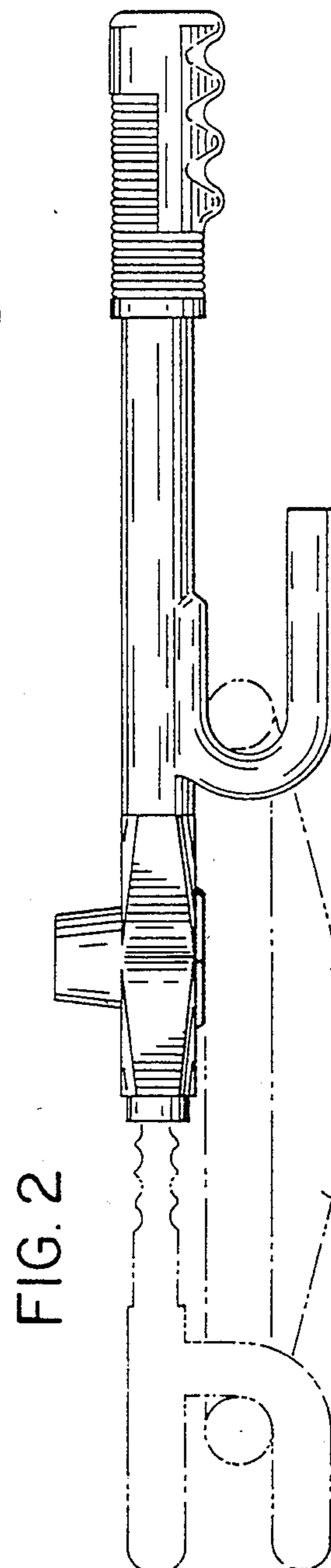
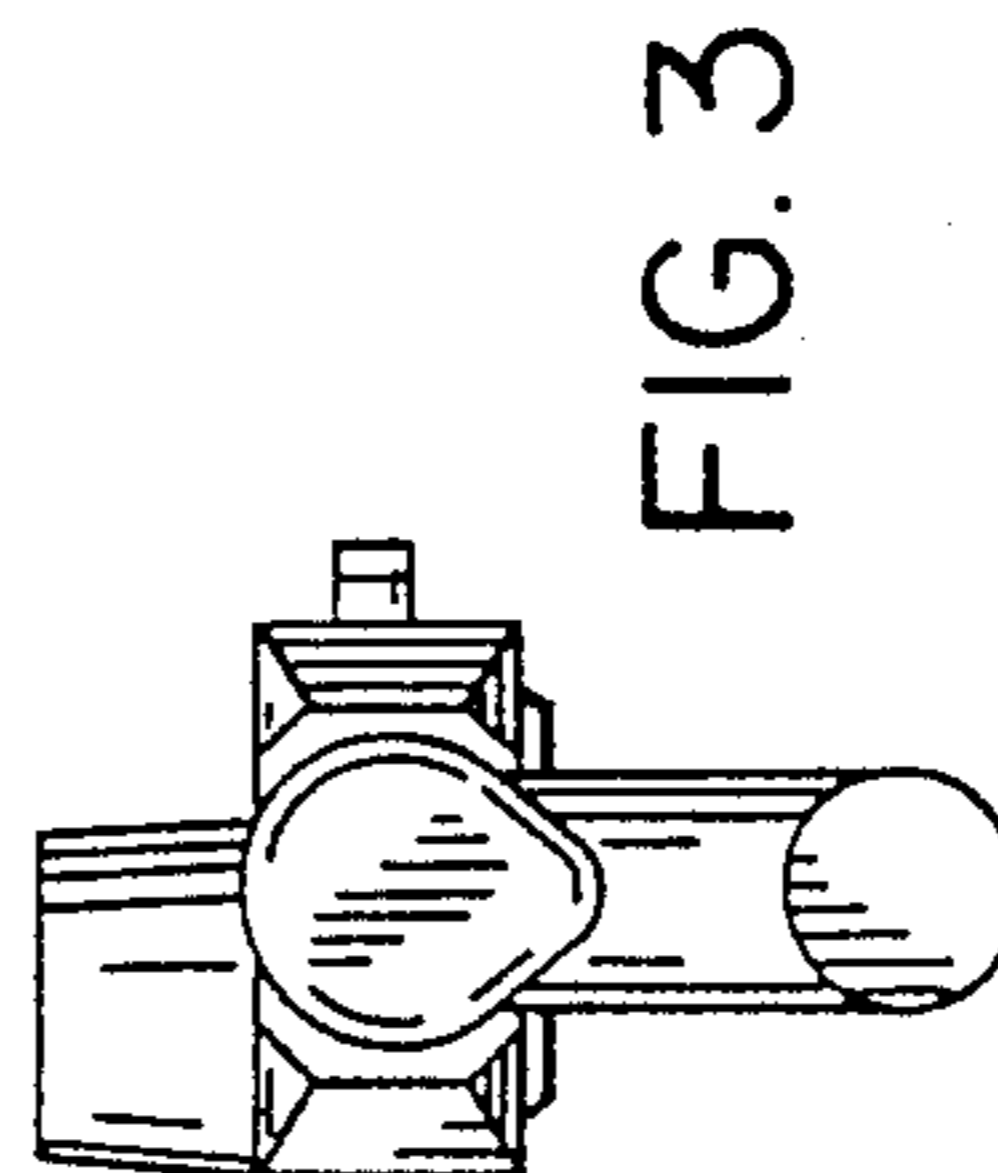
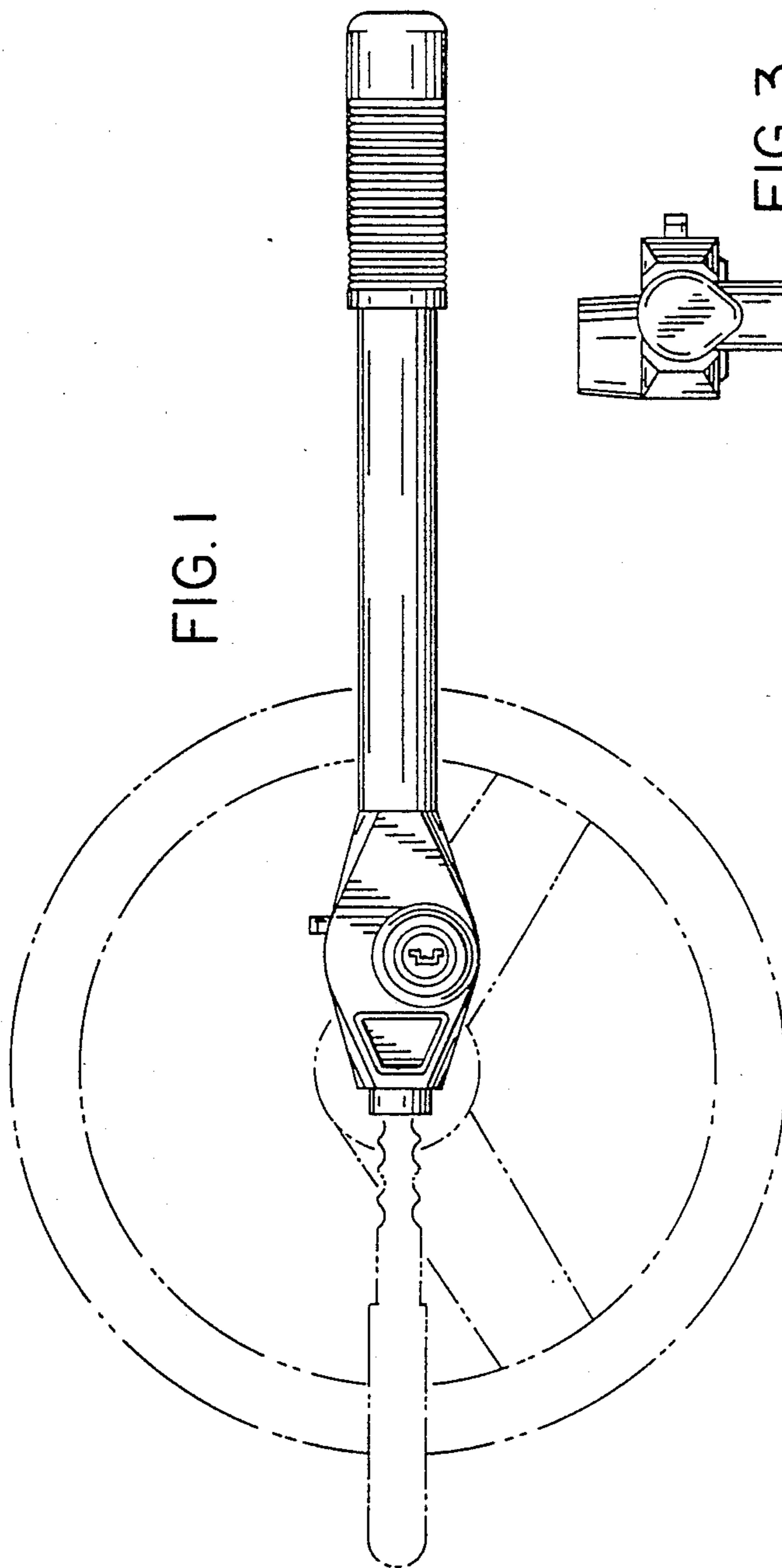
[57] **CLAIM**

The ornamental design for an automobile steering wheel lock arm, as shown and described.

**DESCRIPTION**

FIG. 1 is a top plan view of an automobile steering wheel lock arm showing my new design; FIG. 2 is a front elevational view thereof; FIG. 3 is a right end elevational view thereof; FIG. 4 is a rear elevational view thereof; FIG. 5 is a bottom plan view thereof; and FIG. 6 is a left end elevational view thereof. The broken-line showing of the arm attachment and steering wheel in FIGS. 1 and 2 is for illustrative purposes only and forms no part of the claimed design.





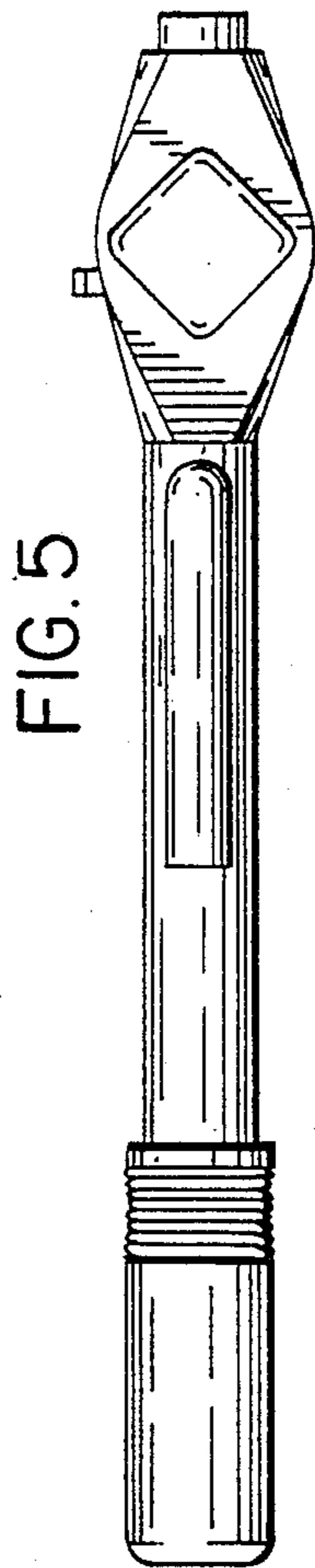
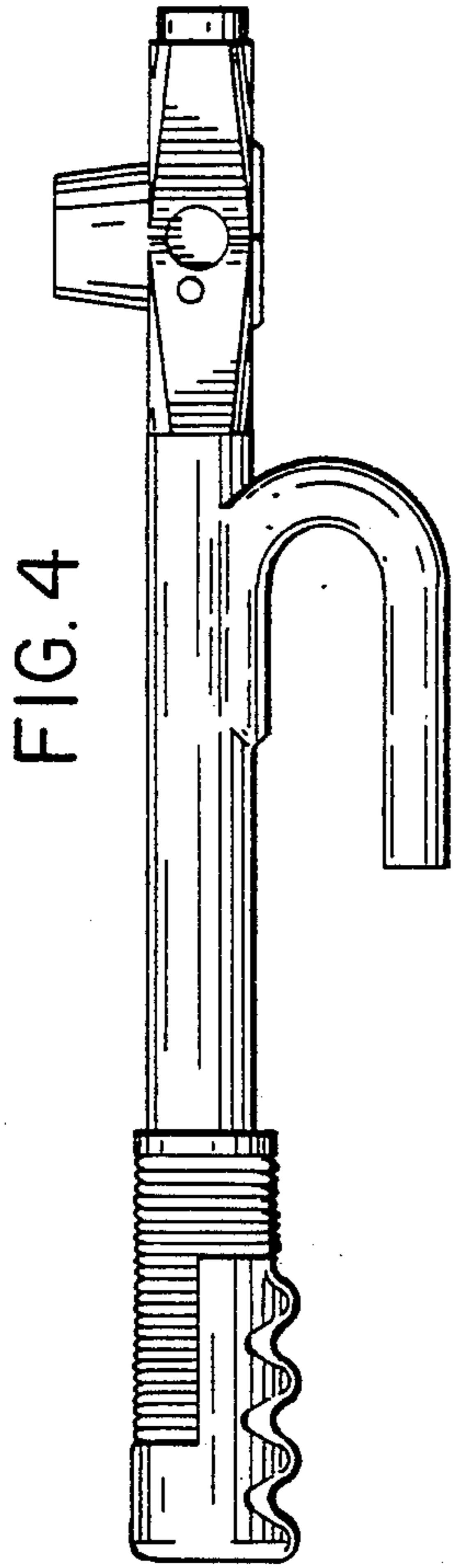


FIG. 6

