

United States Patent [19]

Tamada et al.

[11] Patent Number: **Des. 306,249**

[45] Date of Patent: **** Feb. 27, 1990**

[54] **COMBINED PAPER FOLDER AND ENVELOPE OPENER OR SIMILAR ARTICLE**

[75] Inventors: **Kenji Tamada; Kimitoshi Saito**, both of Kodaira, Japan

[73] Assignee: **Silver Seiko Ltd.**, Tokyo, Japan

[**] Term: **14 Years**

[21] Appl. No.: **66,105**

[22] Filed: **Jun. 24, 1987**

[30] **Foreign Application Priority Data**

Dec. 25, 1986 [JP] Japan 61-51966

[52] U.S. Cl. **D8/61; D7/330; D18/34**

[58] Field of Search **D8/61; D7/330; D18/34, D18/99; 83/912; 30/DIG. 3**

[56] **References Cited**

U.S. PATENT DOCUMENTS

D. 208,604 9/1967 Leman D7/330

D. 263,276 3/1982 Takagi D8/61
D. 265,160 6/1982 Kelley D7/330
D. 280,213 8/1985 Alger D18/34
2,406,610 8/1946 Kelsall 30/DIG. 3

Primary Examiner—Winifred E. Herrmann

Assistant Examiner—John Warchol

Attorney, Agent, or Firm—Cushman, Darby & Cushman

[57] **CLAIM**

The ornamental design for a combined paper folder and envelope opener or similar article, as shown and described.

DESCRIPTION

FIG. 1 is a top, front, and right side perspective view of a combined paper folder and envelope opener or similar article showing our new design;

FIG. 2 is a front elevational view thereof;

FIG. 3 is a rear elevational view thereof;

FIG. 4 is a top plan view thereof;

FIG. 5 is a bottom plan view thereof; and

FIG. 6 is a right side elevational view thereof, the left side is a mirror image thereof.

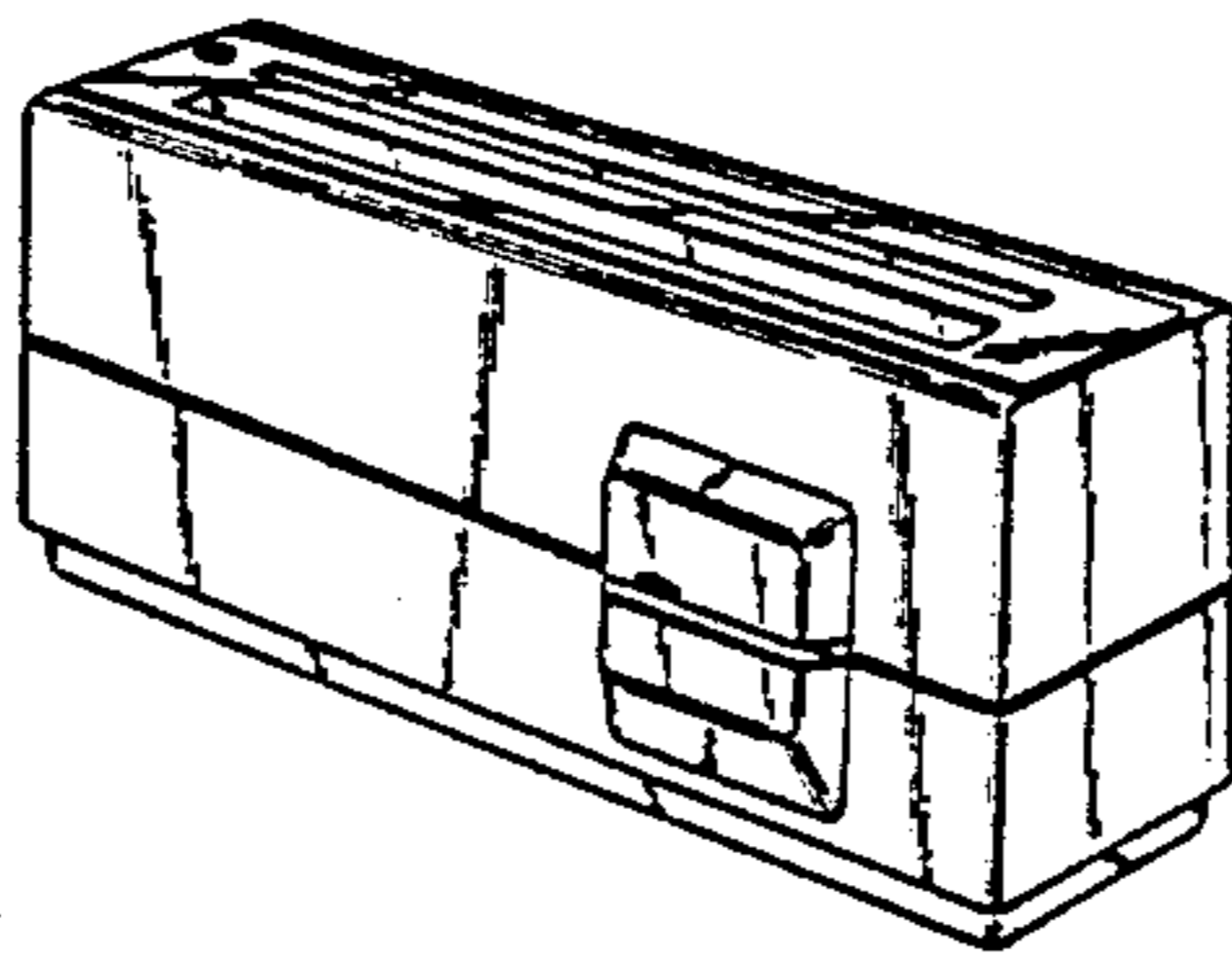


FIG. 1

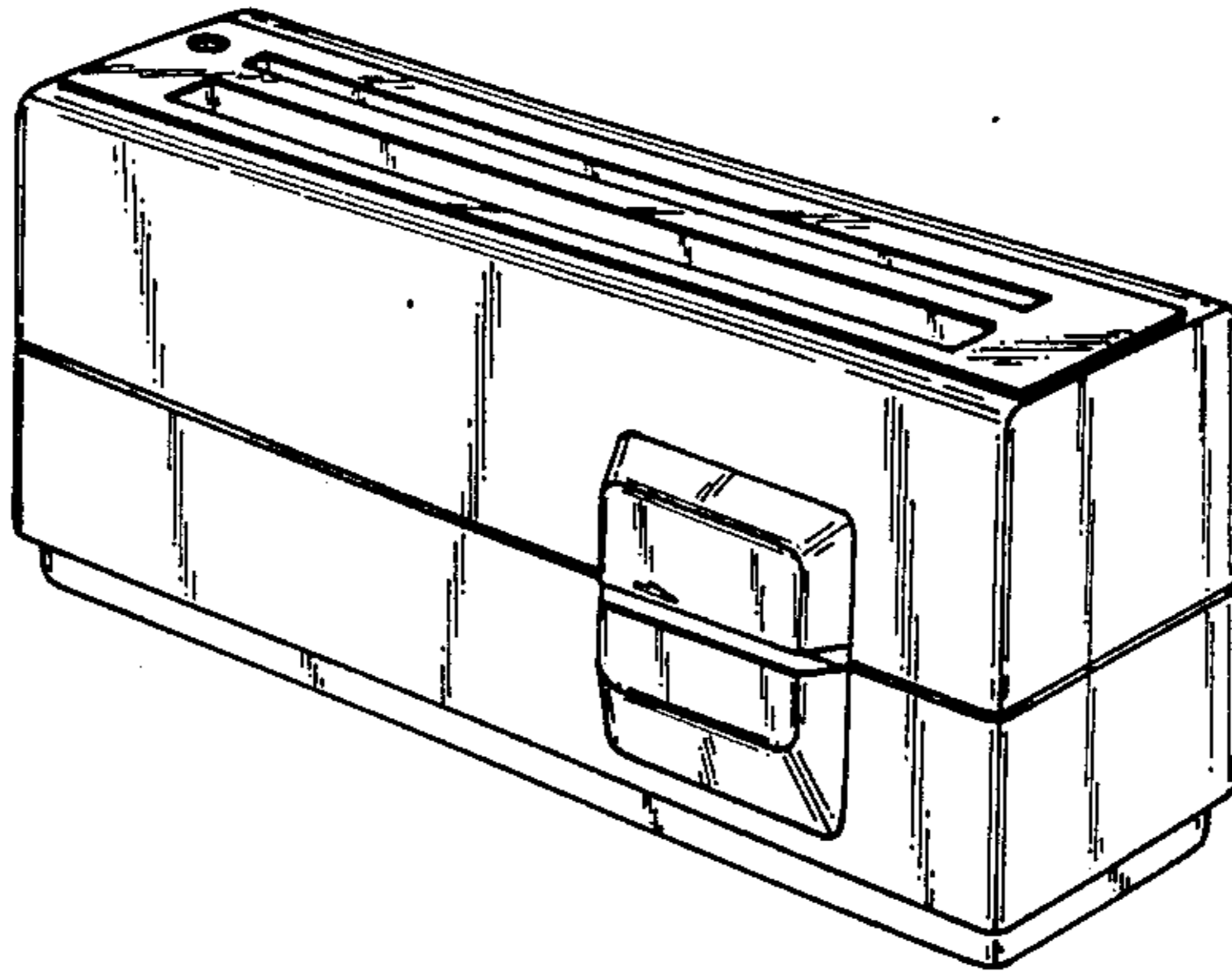


FIG. 2

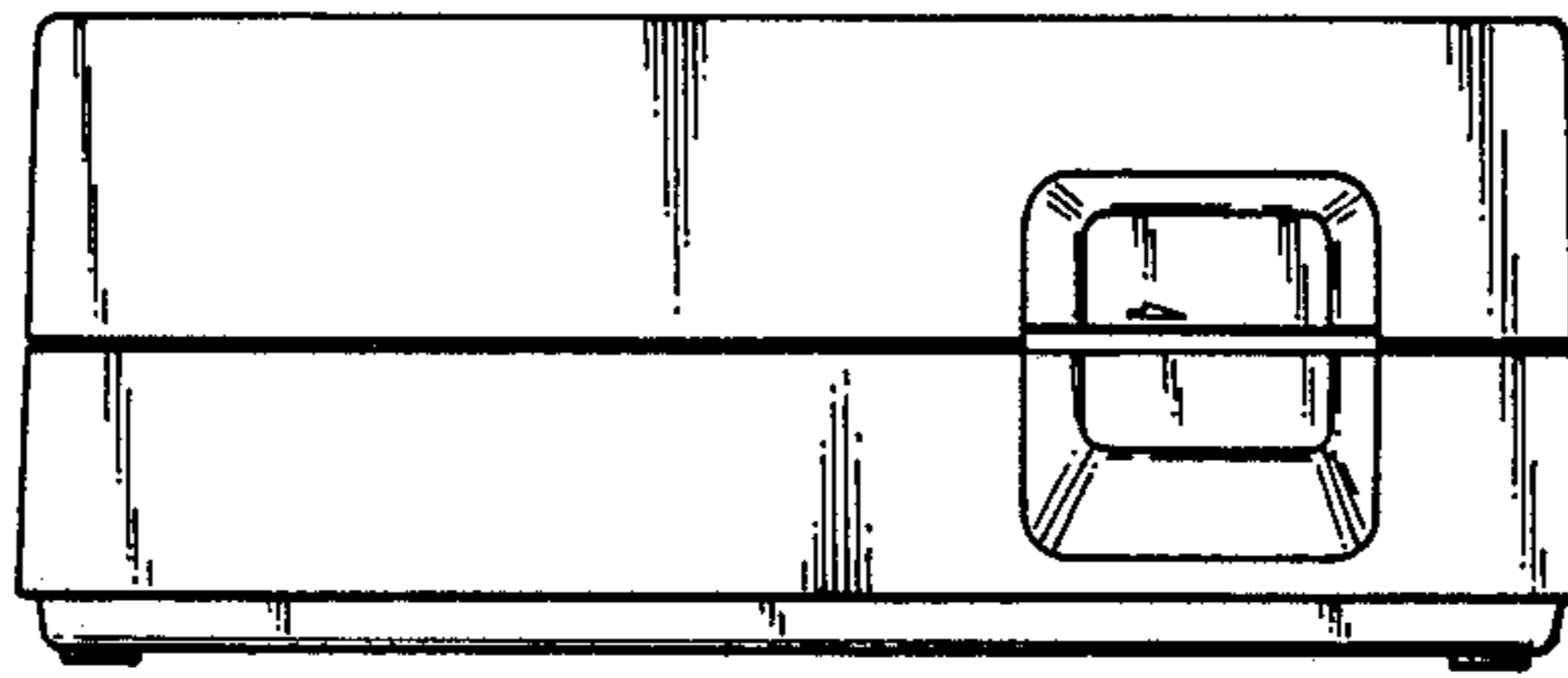


FIG. 3

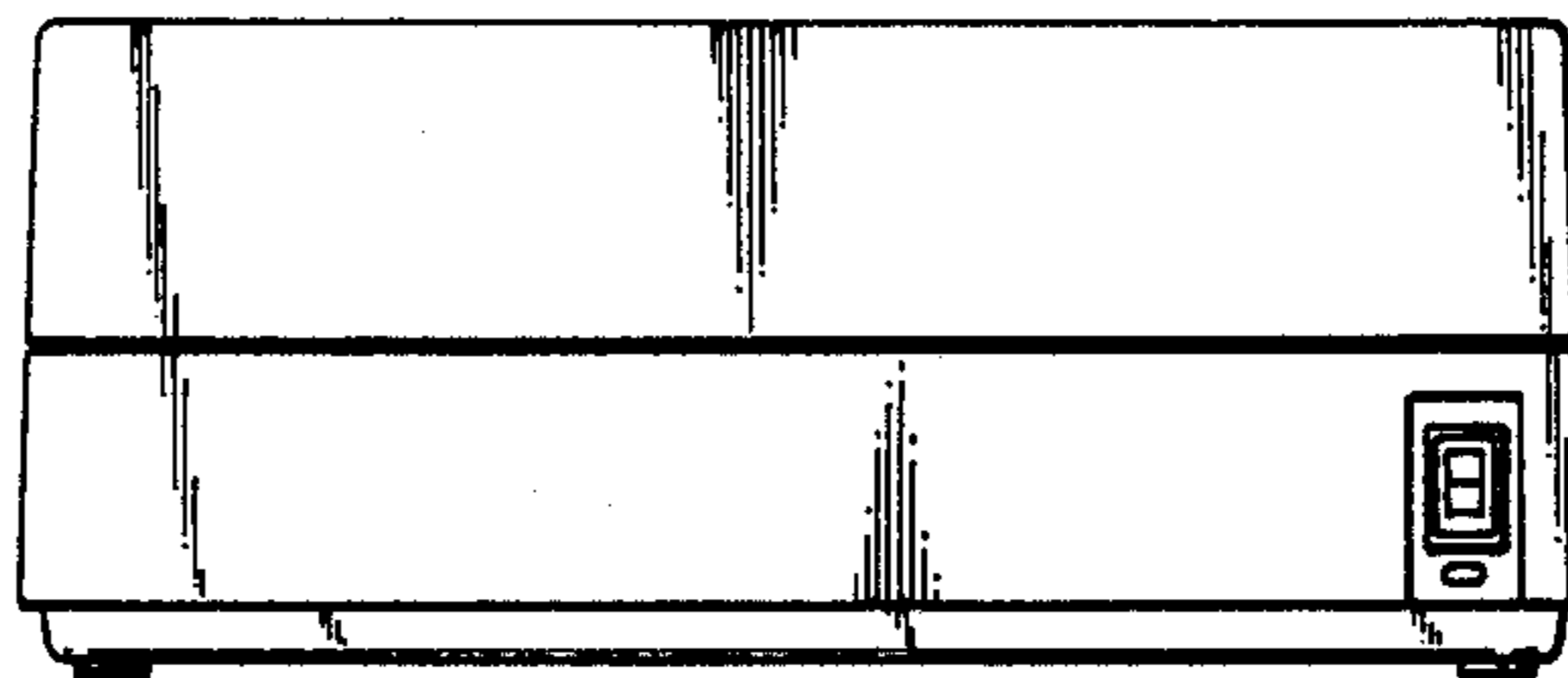


FIG. 4

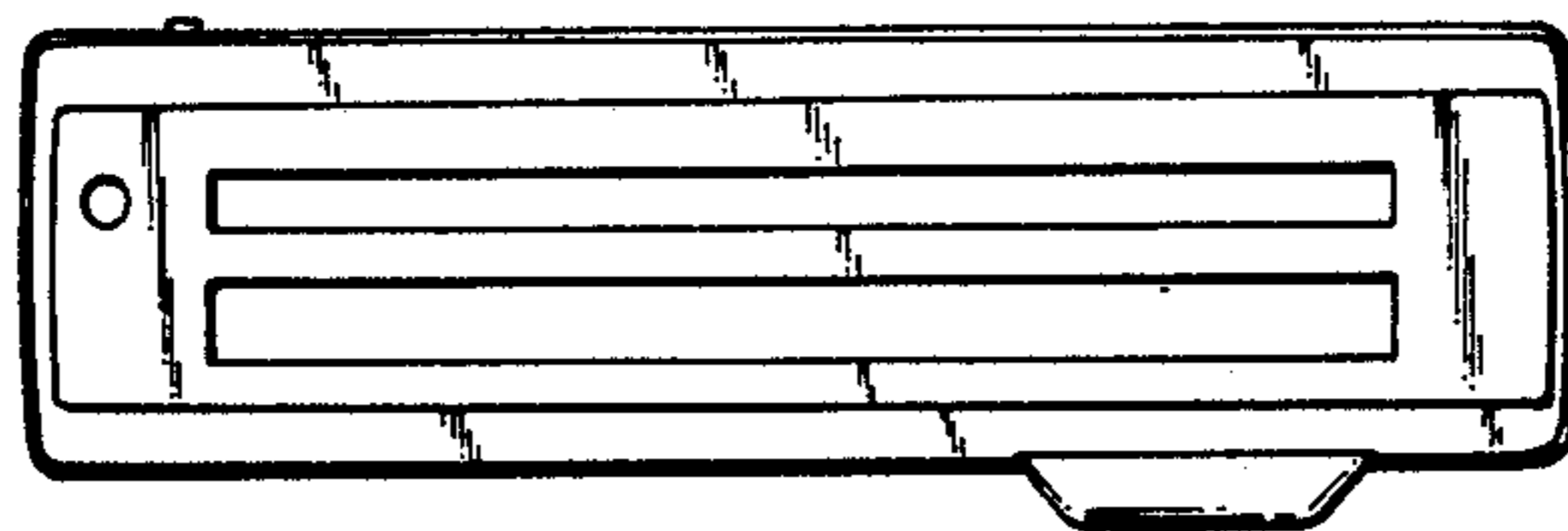


FIG. 5

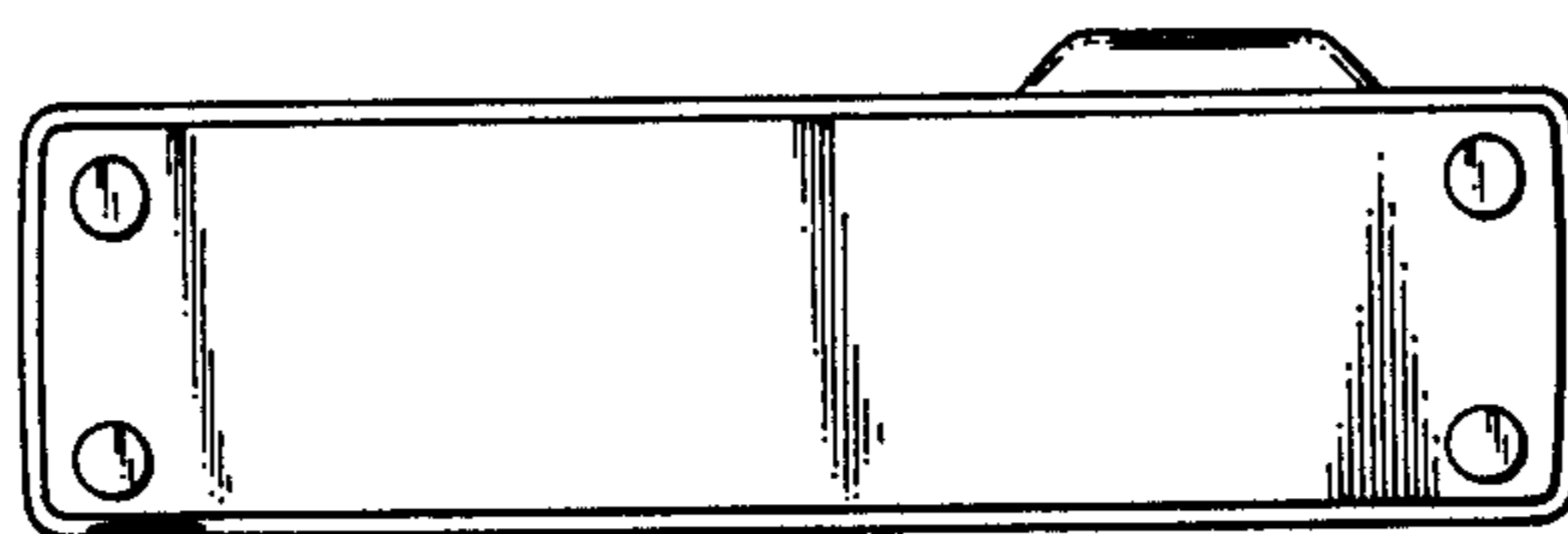


FIG. 6

