

[54] **GOLF GREEN HOLE AUGER**

[76] **Inventor: Robert L. Shields, Rte. 3, Box 72, Miltona, Minn. 56354**

[\*\*] **Term: 14 Years**

[21] **Appl. No.: 232,130**

[22] **Filed: Aug. 15, 1988**

[52] **U.S. Cl. .... D8/8; D8/1**

[58] **Field of Search .... D8/1, 7-8; 30/1, 301-302, 305, 316; 294/19.1, 50.6, 50.7, 50.9, 53.5; 172/37, 19, 21**

[56] **References Cited**

**U.S. PATENT DOCUMENTS**

D. 222,658	11/1971	Carlson .....	D8/7
D. 251,698	5/1979	Bartholomew, Jr. ....	D8/7
1,866,073	7/1932	Aberle .....	30/302 X
2,860,001	11/1958	Garland .....	294/50.6
3,025,636	3/1962	Warren .....	294/50.7 X
3,127,939	4/1964	Rink .....	30/316
3,291,231	12/1966	Kammer .....	294/50.7 X
3,506,296	4/1970	Nelson .....	294/50.7 X
3,561,540	2/1971	Kaszkurowicz .....	172/111
3,657,814	4/1972	Bohlman .....	30/302
4,135,752	1/1979	Long .....	294/50.7 X
4,209,903	7/1980	Owens .....	30/302
4,282,684	8/1981	McLellan .....	294/50.7 X
4,659,127	4/1987	Hancovsky .....	294/50.7 X

**FOREIGN PATENT DOCUMENTS**

40893 9/1929 Denmark ..... D8/7 X

**OTHER PUBLICATIONS**

*American Eagle Golf Products* publication—undated (submitted by Appl.).

*Standard Golf Company* publication—undated (submitted by Appl.).

*Par Aide Products Company* publication—undated (submitted by Appl.).

*Primary Examiner*—Wallace R. Burke

*Assistant Examiner*—Brian N. Vinson

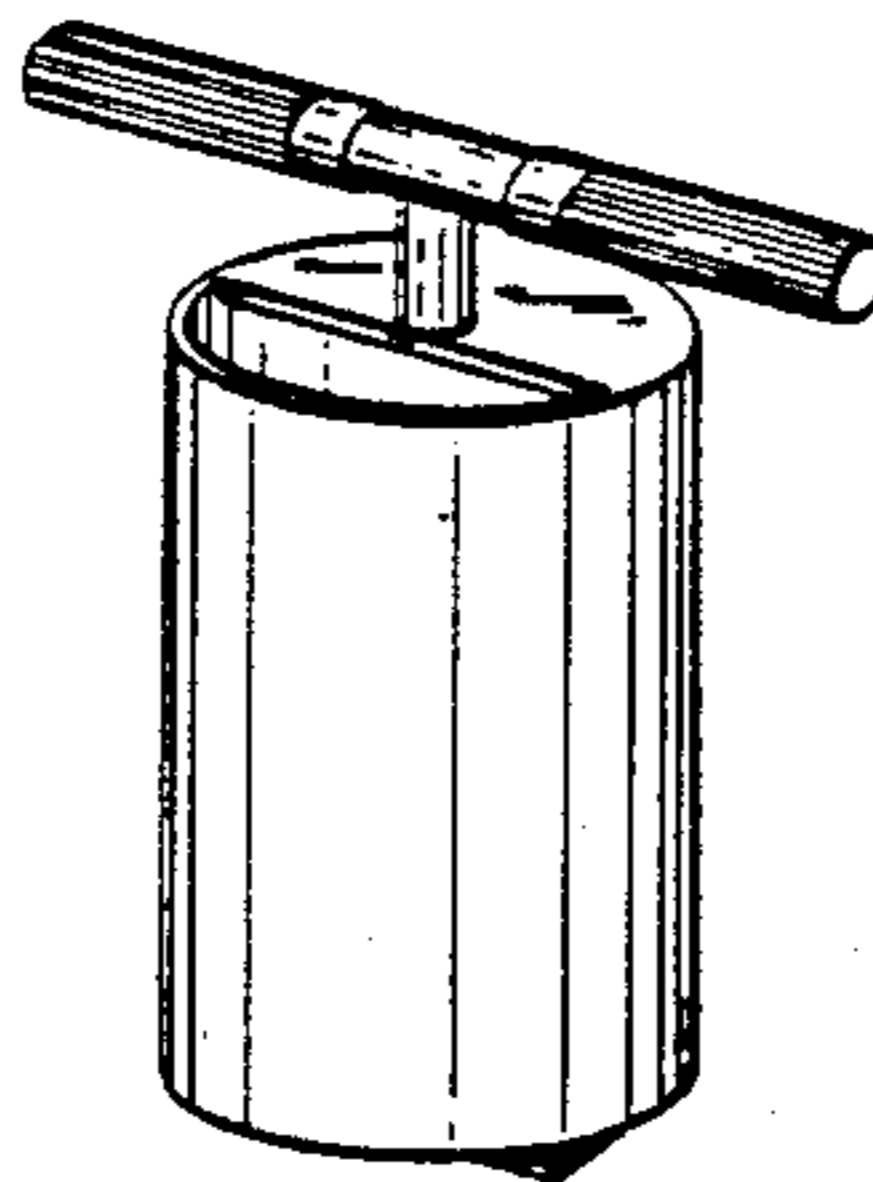
*Attorney, Agent, or Firm*—Burd, Bartz & Gutenkauf

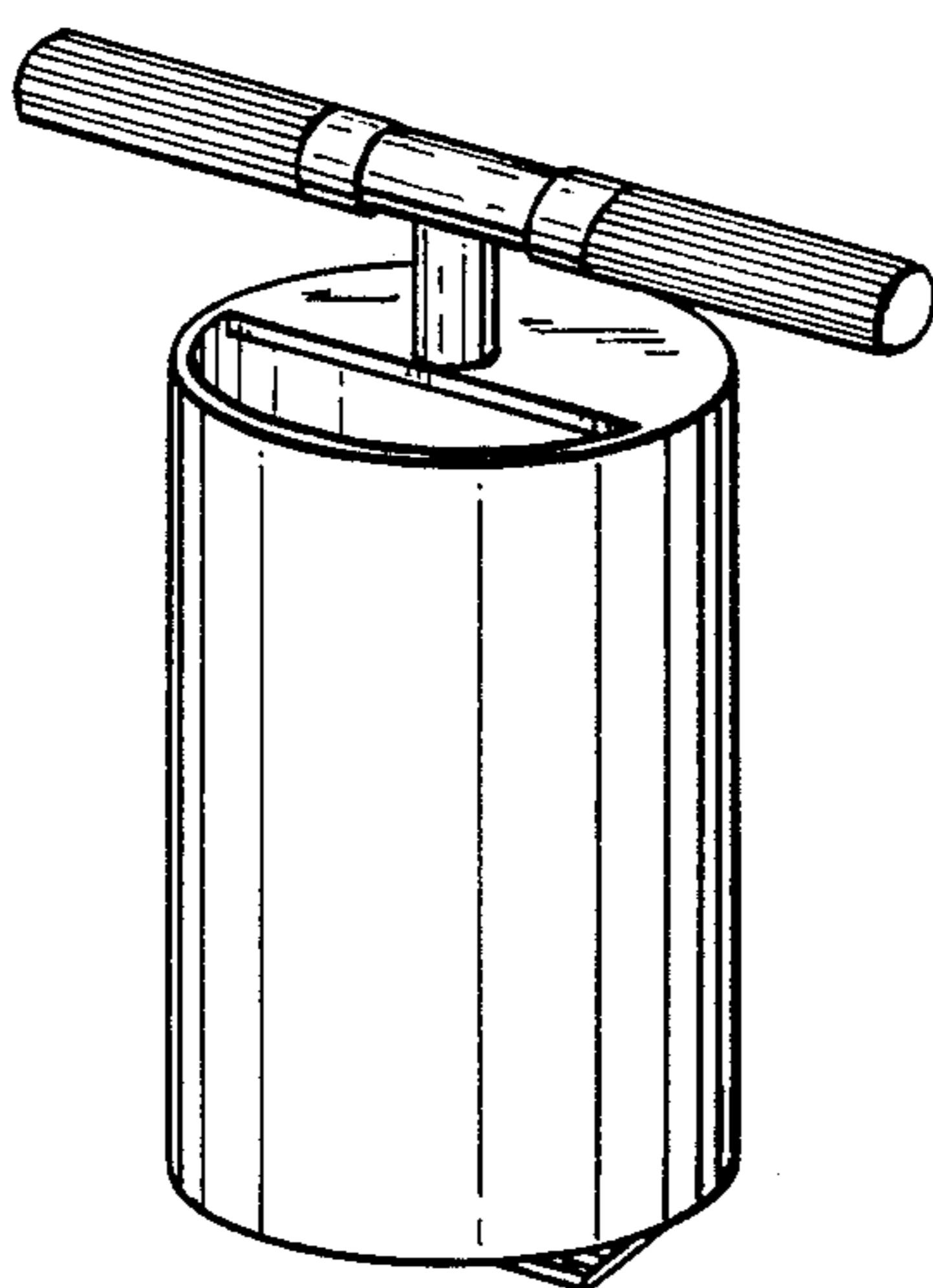
[57] **CLAIM**

The ornamental design for a golf green hole auger, as shown and described.

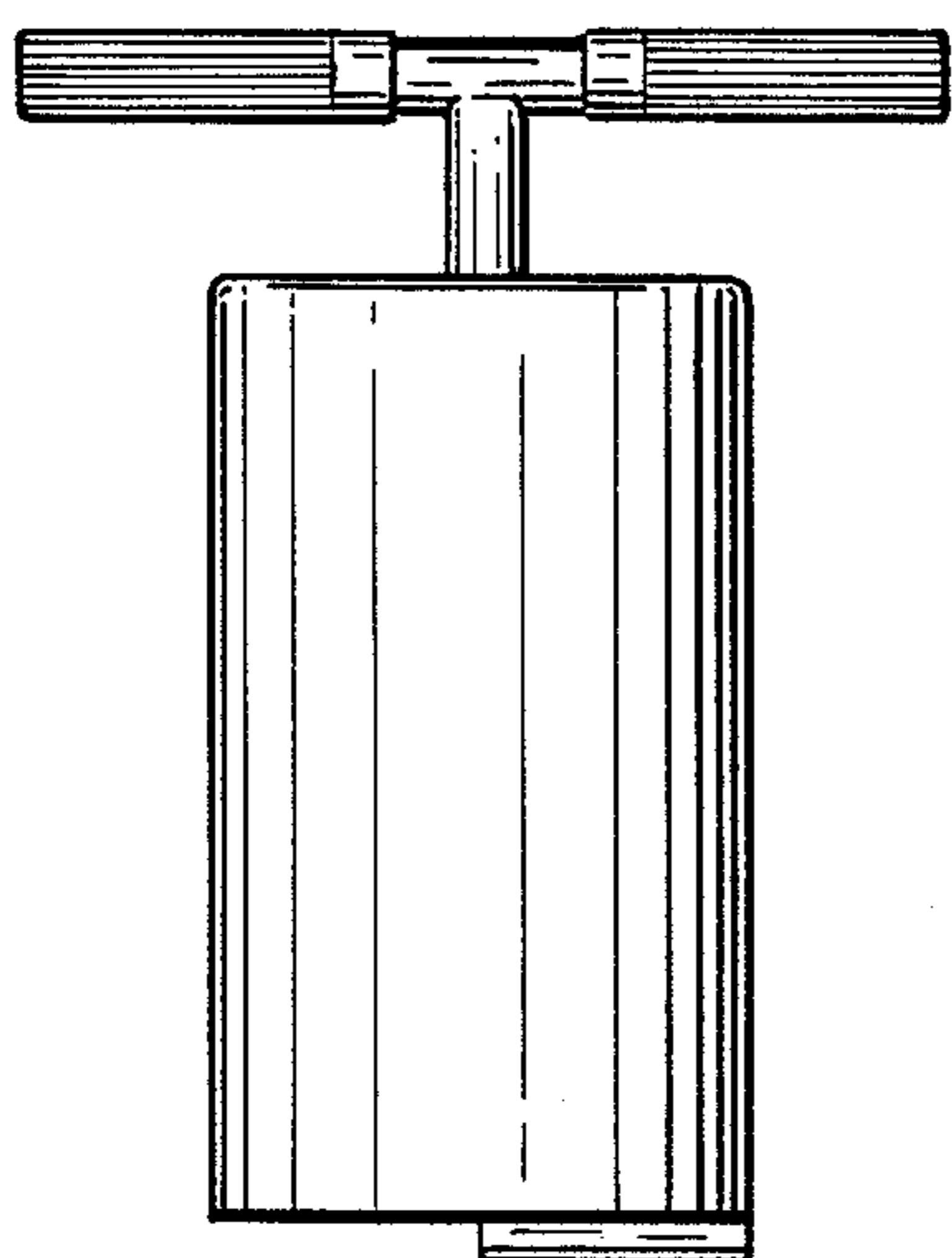
**DESCRIPTION**

FIG. 1 is a top, front and right side perspective view of a golf green hole auger showing my new design; FIG. 2 is a front elevational view thereof; FIG. 3 is a rear elevational view thereof; FIG. 4 is a right side elevational view thereof, the left side being a mirror image of that shown; FIG. 5 is a top plan view thereof; and FIG. 6 is a bottom plan view thereof.

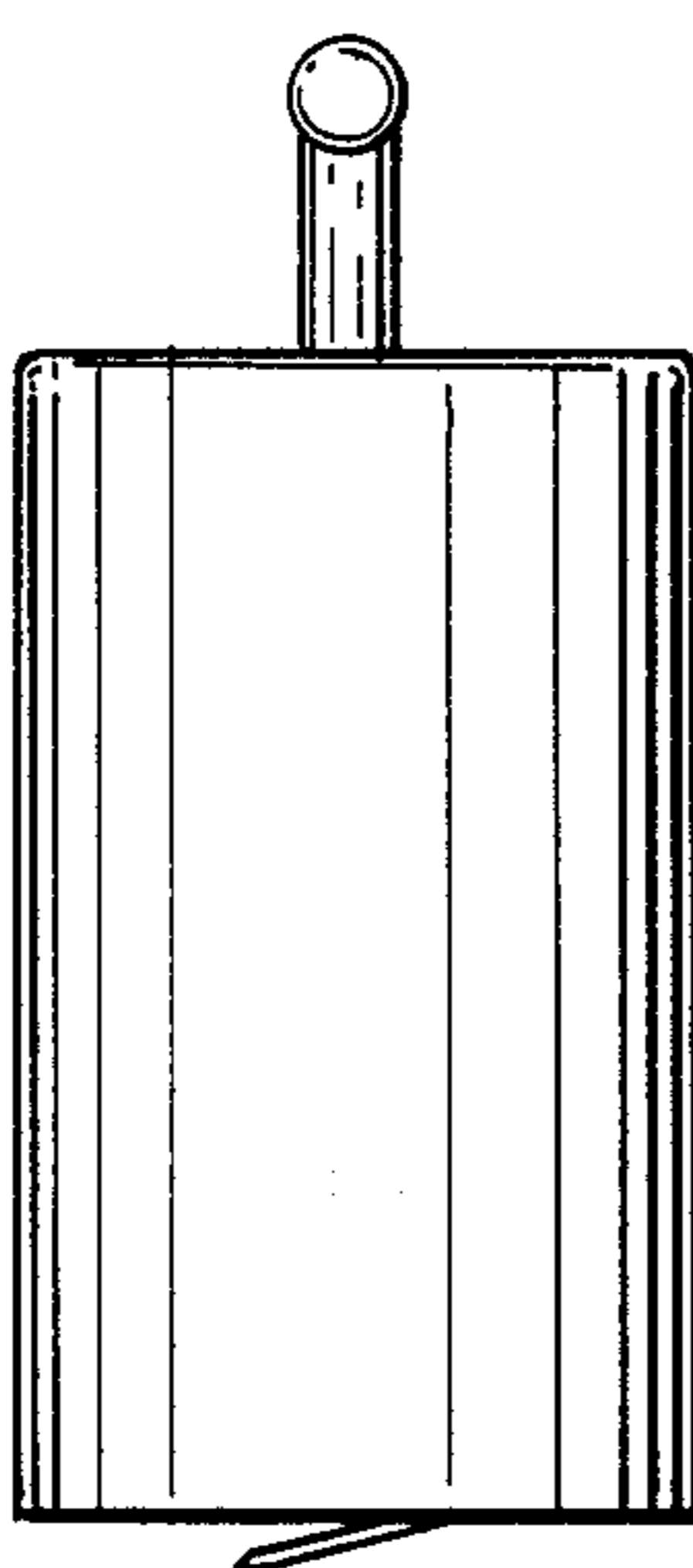




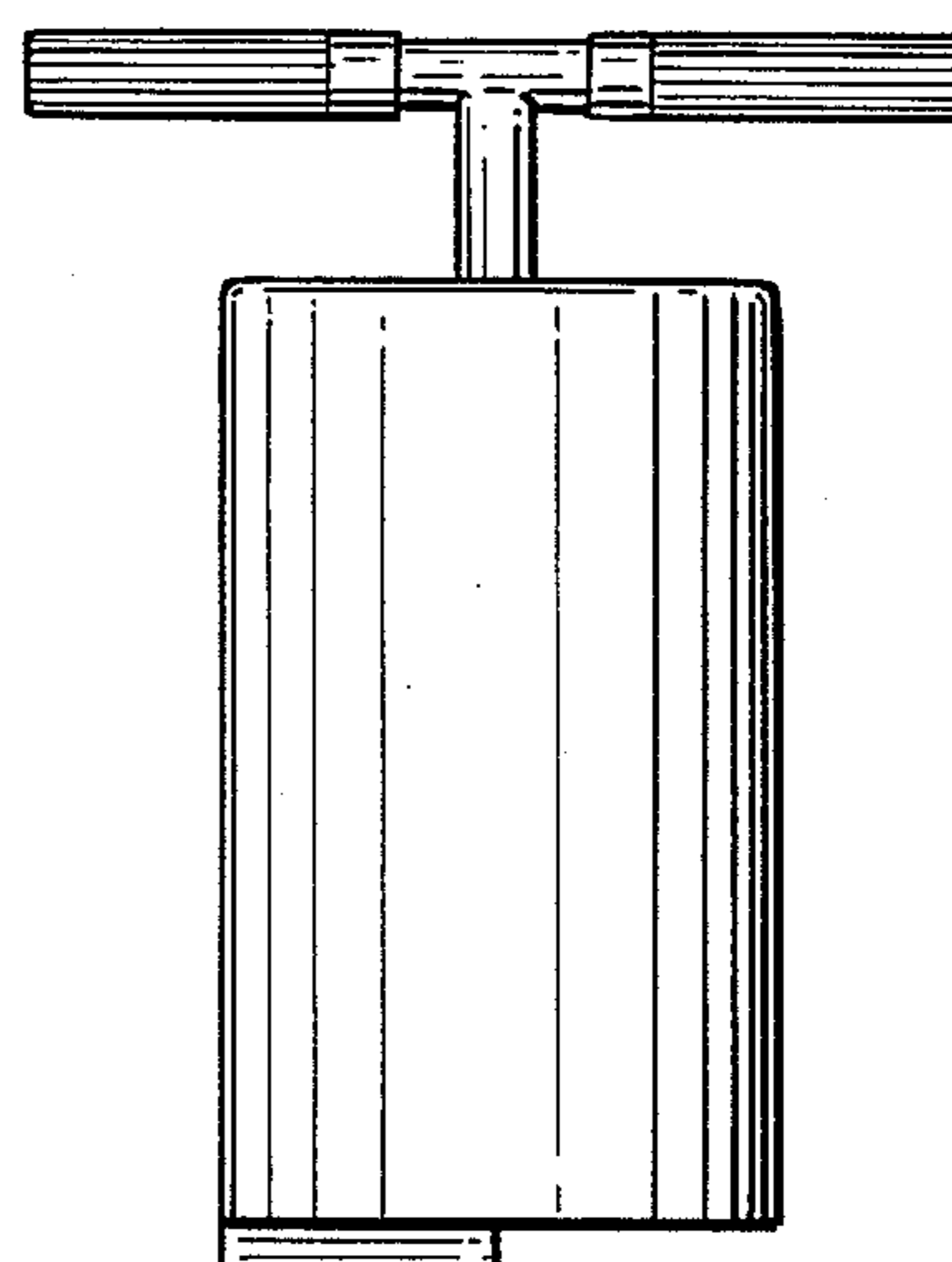
**FIG. 1**



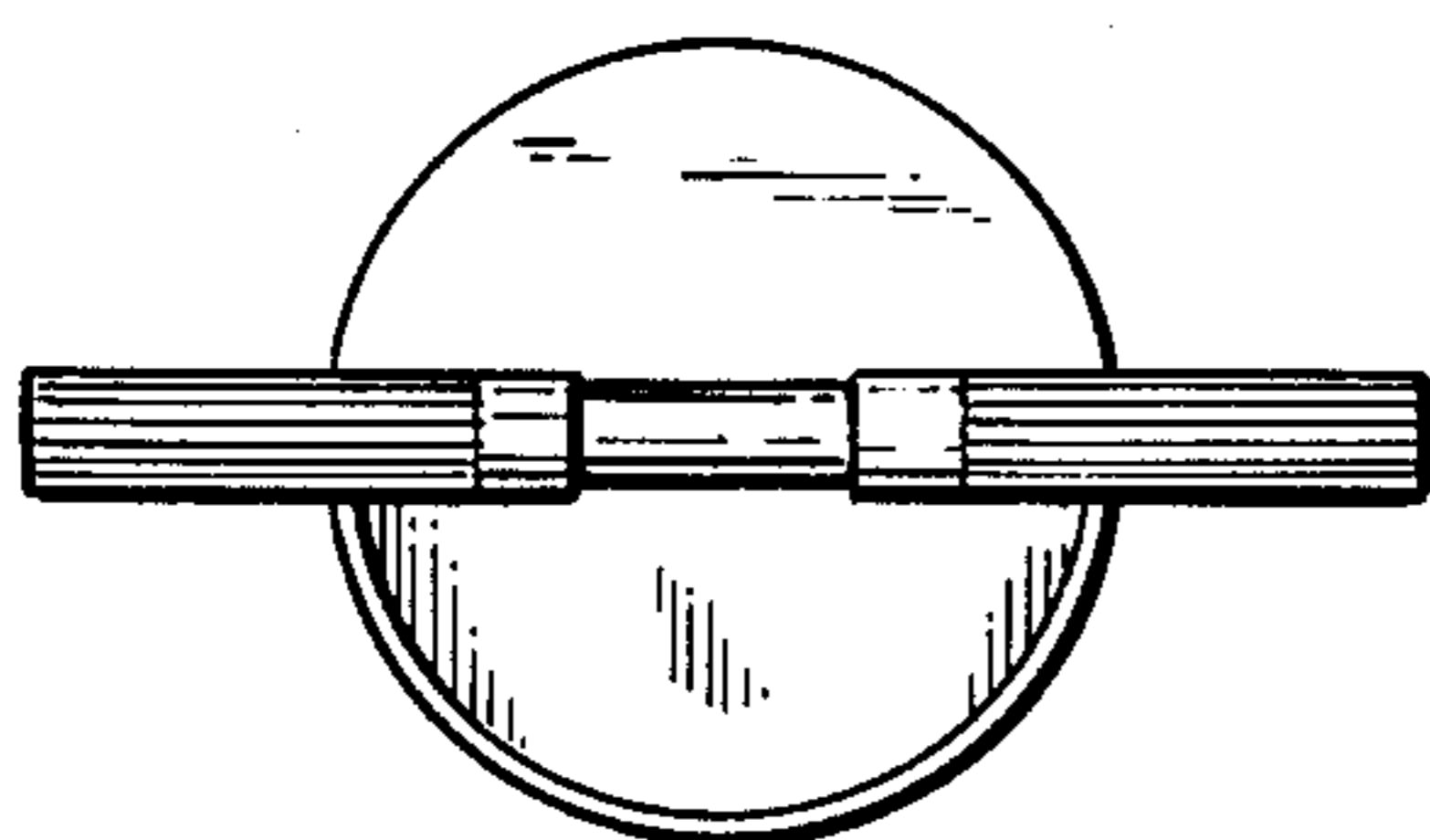
**FIG. 2**



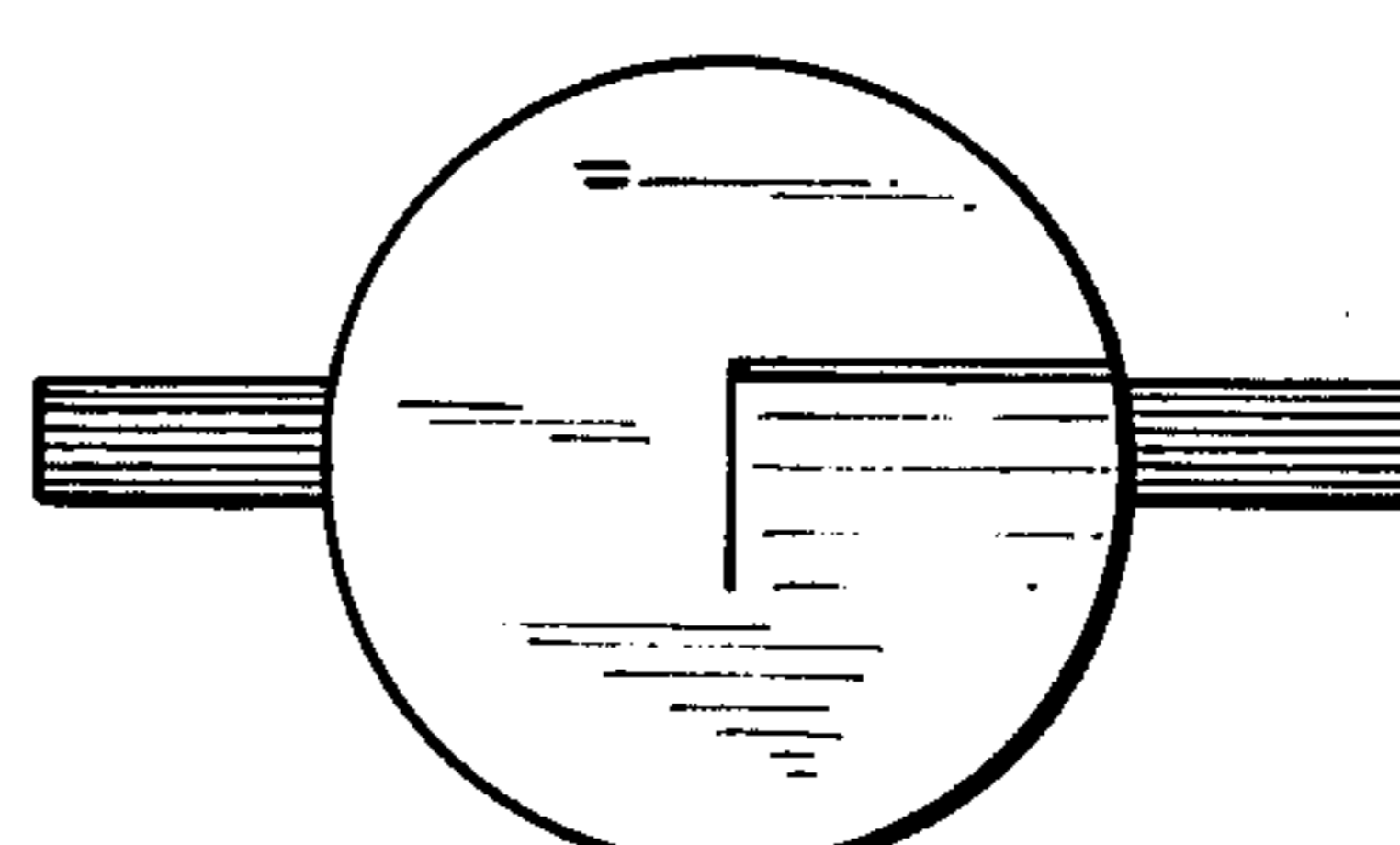
**FIG. 4**



**FIG. 3**



**FIG. 5**



**FIG. 6**