

[54] **TABLE**

[75] **Inventor: Vittorio Livi, Pesaro, Italy**

[73] **Assignee: Fiam S.r.l., Tavullia, Italy**

[**] **Term: 14 Years**

[21] **Appl. No.: 1,531**

[22] **Filed: Dec. 23, 1986**

[30] **Foreign Application Priority Data**

Jun. 25, 1986 [IT] Italy 22371/86[U]

[52] **U.S. Cl. D6/485**

[58] **Field of Search D6/396, 423, 442, 449,
D6/457, 480, 482, 484, 485, 486, 488, 490, 495;
108/59, 64, 150, 161, 901**

[56] **References Cited**

U.S. PATENT DOCUMENTS

D. 233,293 10/1974 Rosen D6/484
D. 282,034 1/1986 Janke D6/480

OTHER PUBLICATIONS

Karmel Plastics, 1980, p. 3, Nesting Tables #641, top center row.

Industrial Design, Aug., 1969, p. 56; Item #25, center page.

Design Institute of America, Inc., Allusion, 1983, (Brown Binder), Seating Section, Square Cocktail Table #6016-H5.

Primary Examiner—Carmen H. Vales-Lado

Assistant Examiner—Schon C. Oppert

Attorney, Agent, or Firm—Birch, Stewart, Kolasch & Birch

[57] **CLAIM**

The ornamental design for a table, as shown and described.

DESCRIPTION

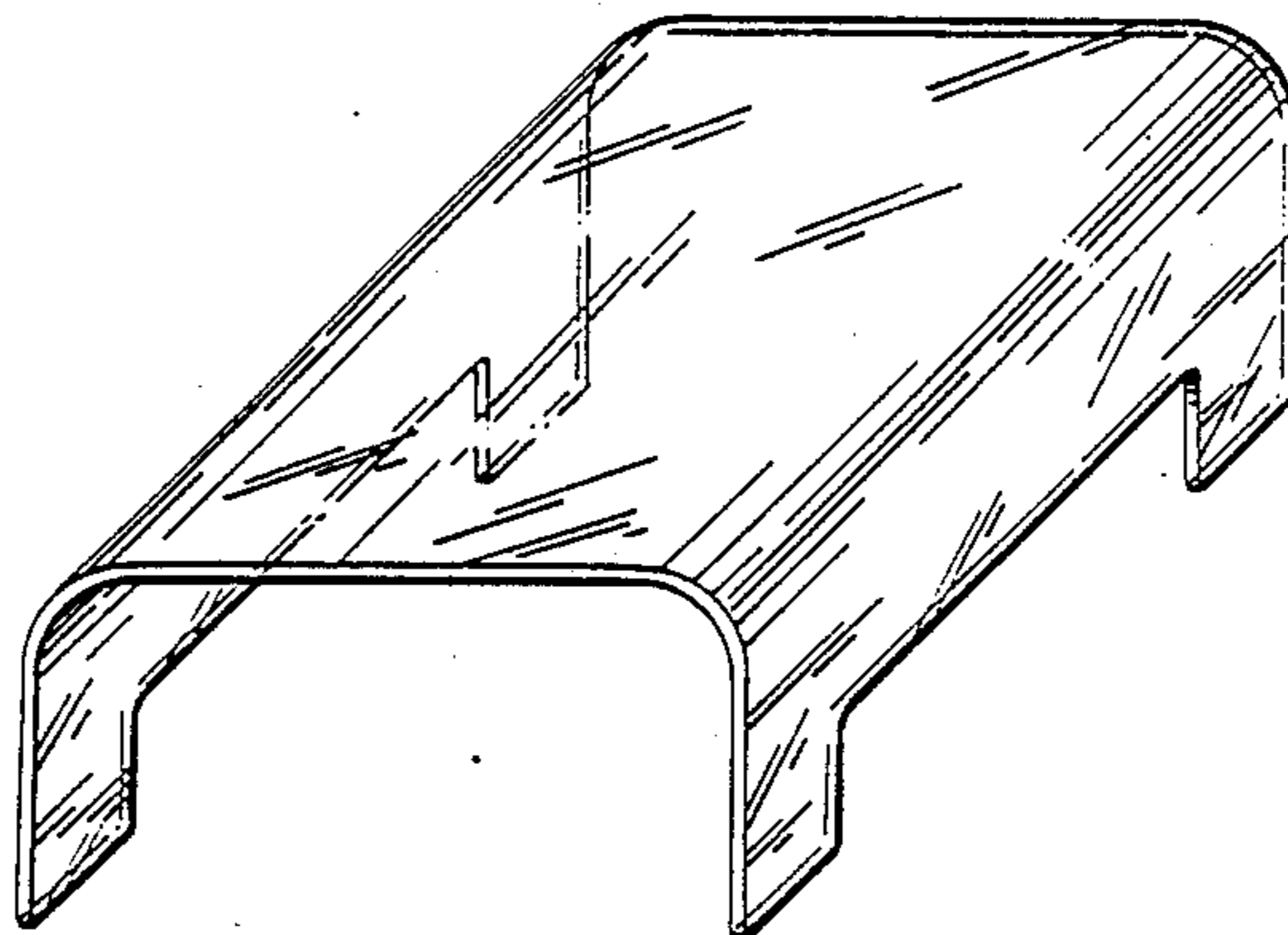
FIG. 1 is a top perspective view of a table, showing my new design;

FIG. 2 is a top view thereof;

FIG. 3 is a bottom view thereof;

FIG. 4 is a side perspective view of a table showing my new design; and

FIG. 5 is an end elevational view, the opposite end being identical thereto.



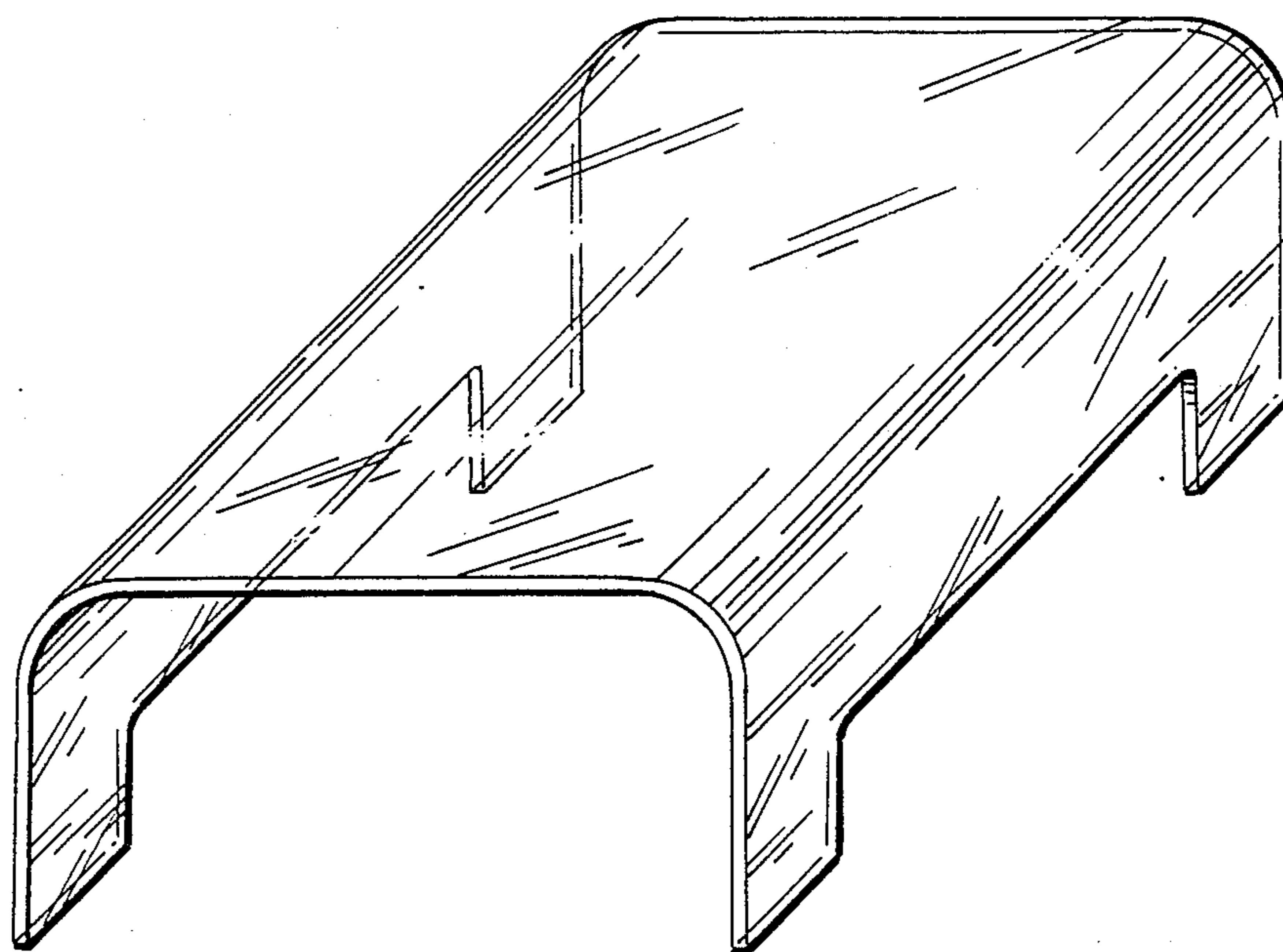


Fig-1

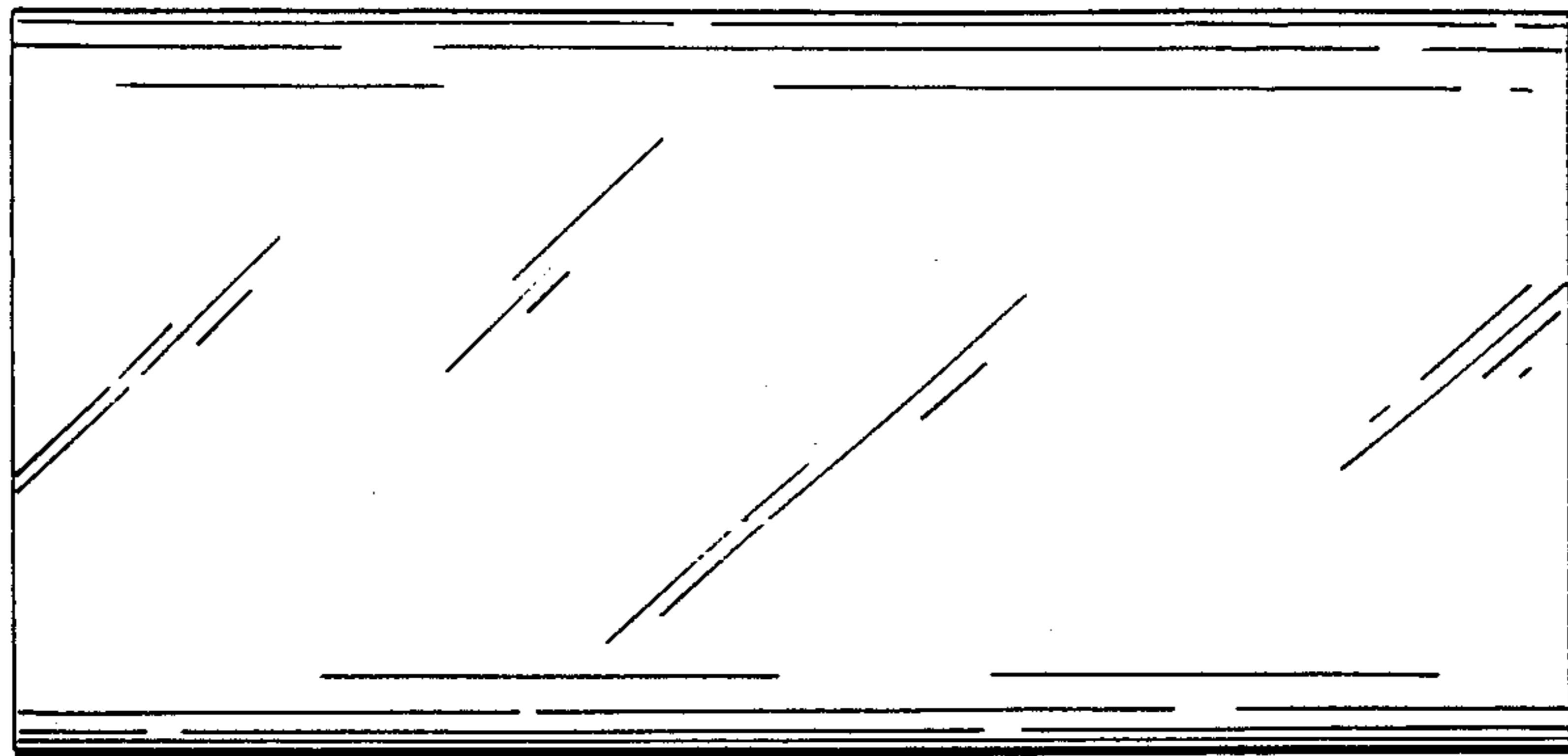


Fig-2

Fig-3

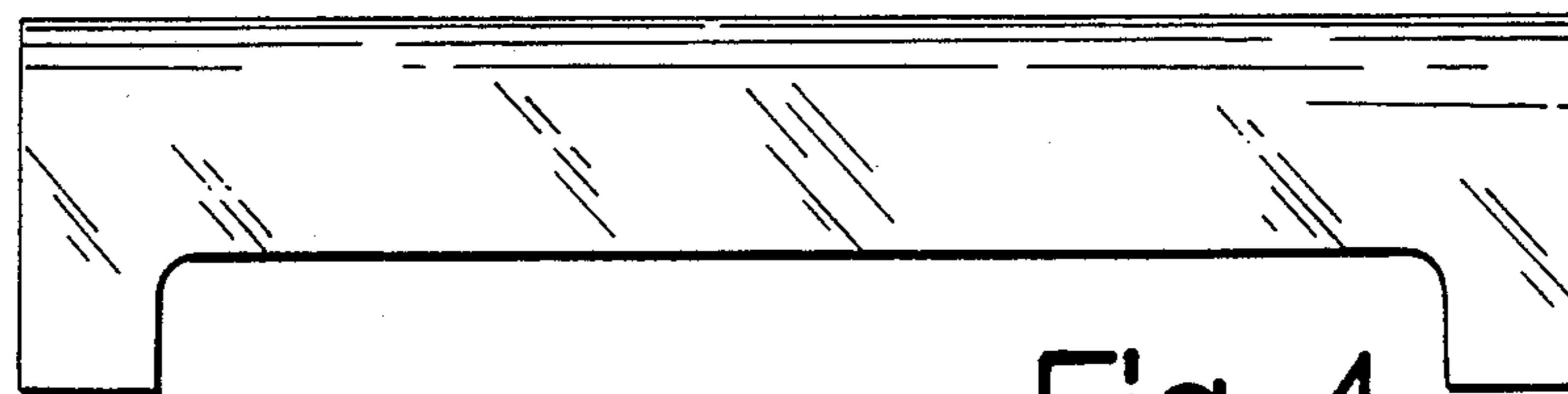
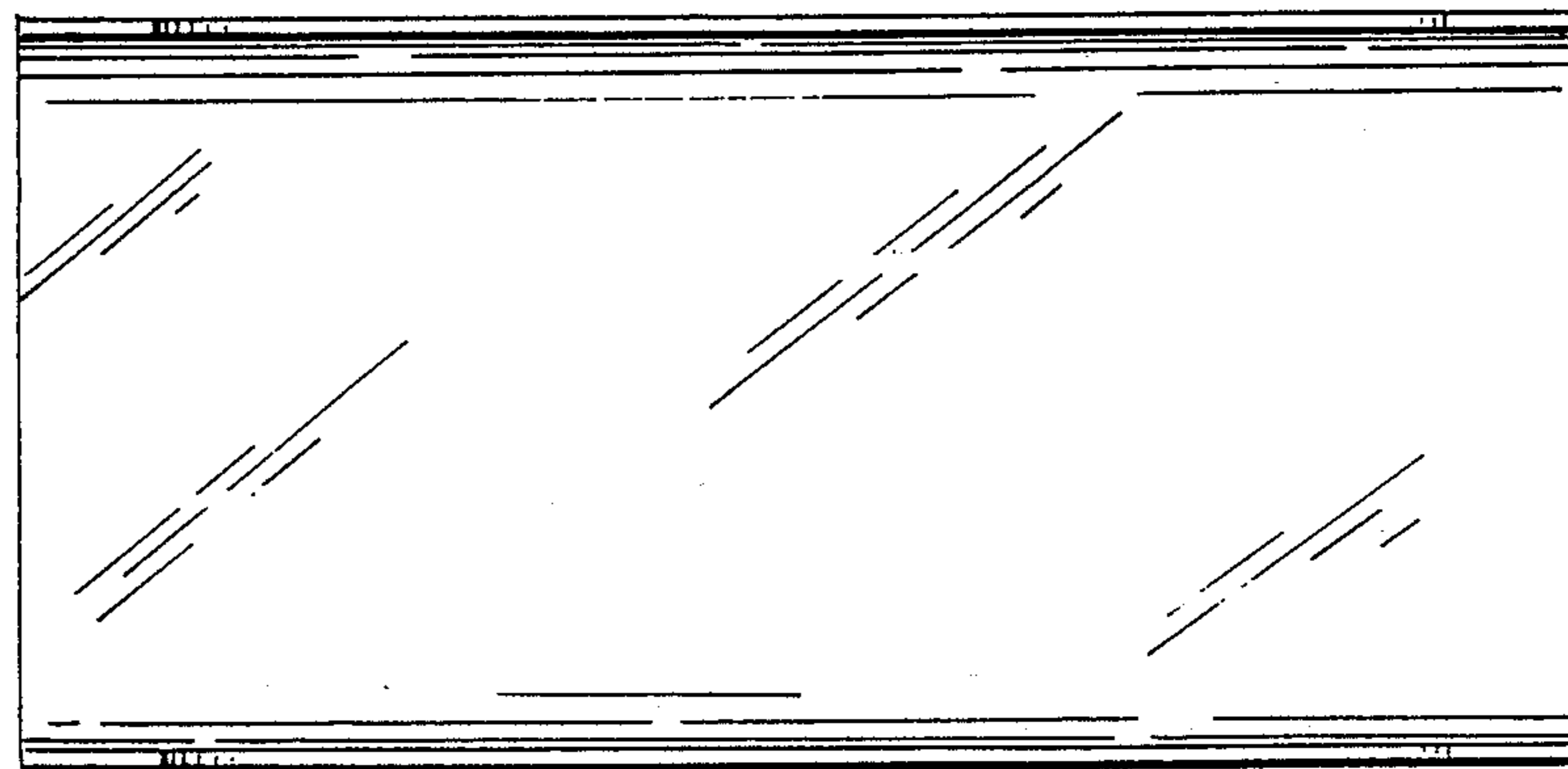


Fig-4

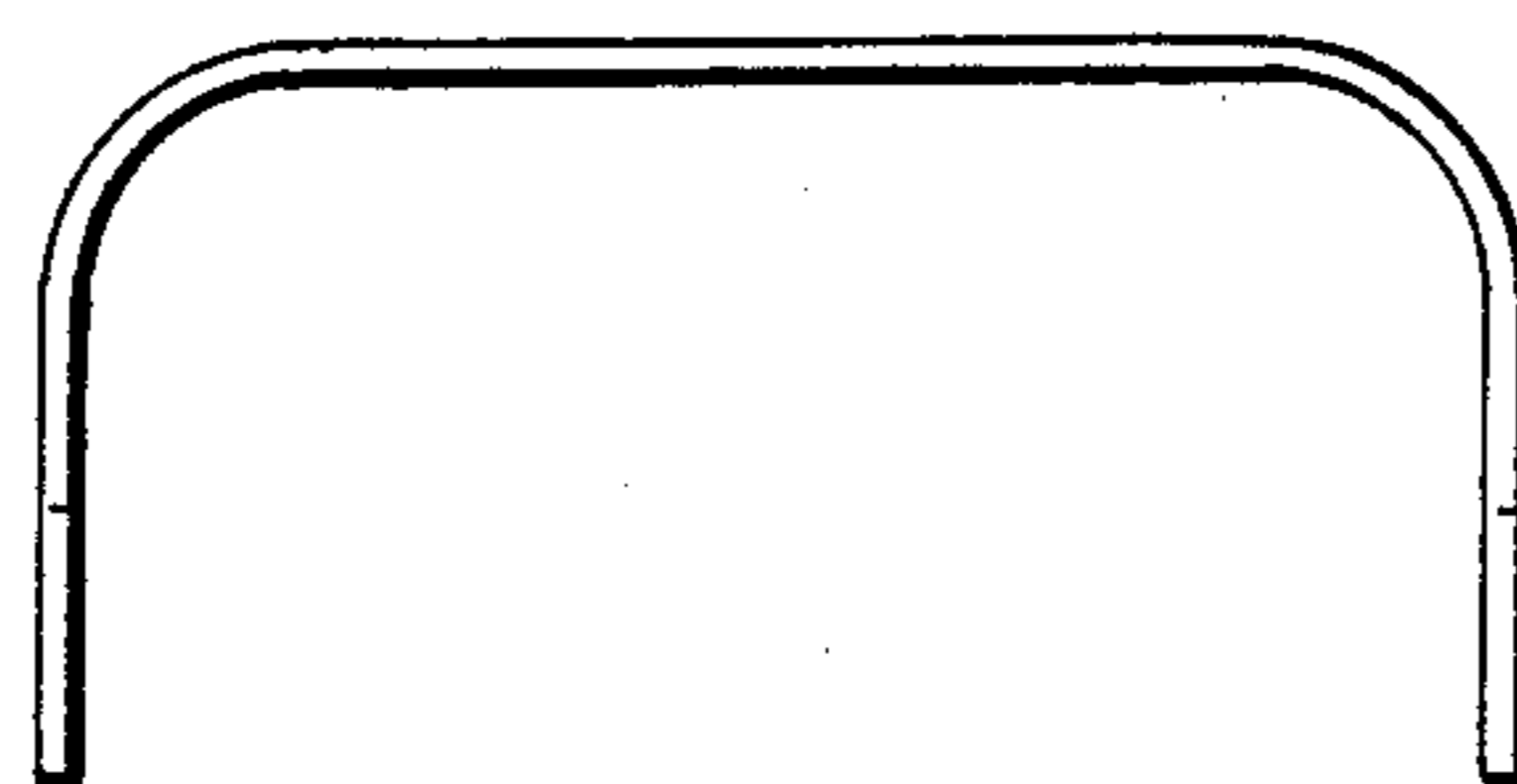


Fig-5