

[54] STORAGE CABINET

[75] Inventor: Thomas J. Newhouse, Grand Rapids, Mich.

[73] Assignee: Herman Miller, Inc., Zeeland, Mich.

[**] Term: 14 Years

[21] Appl. No.: 57,825

[22] Filed: Jun. 2, 1987

[52] U.S. Cl. D6/448

[58] Field of Search D6/396, 440, 432, 447, D6/448; D34/5

[56] References Cited

U.S. PATENT DOCUMENTS

D. 93,860	11/1934	Wolters	D6/440
D. 286,958	12/1986	Gualtieri	D6/447 X
827,649	7/1906	Murphy	.	
1,236,324	8/1917	Leonard	.	
1,281,923	10/1918	Fales	.	
1,292,946	1/1919	Yawman	312/107
1,847,986	3/1932	Schuette	312/204
1,954,384	4/1934	Hurt	.	
2,066,608	1/1937	Bushnell	.	
2,803,514	8/1957	Calderon	312/311
2,875,009	2/1959	Glover	.	
3,556,619	1/1971	Battas et al.	312/330.1 X

4,618,192 10/1986 Kelley .

FOREIGN PATENT DOCUMENTS

166064 6/1950 Austria .

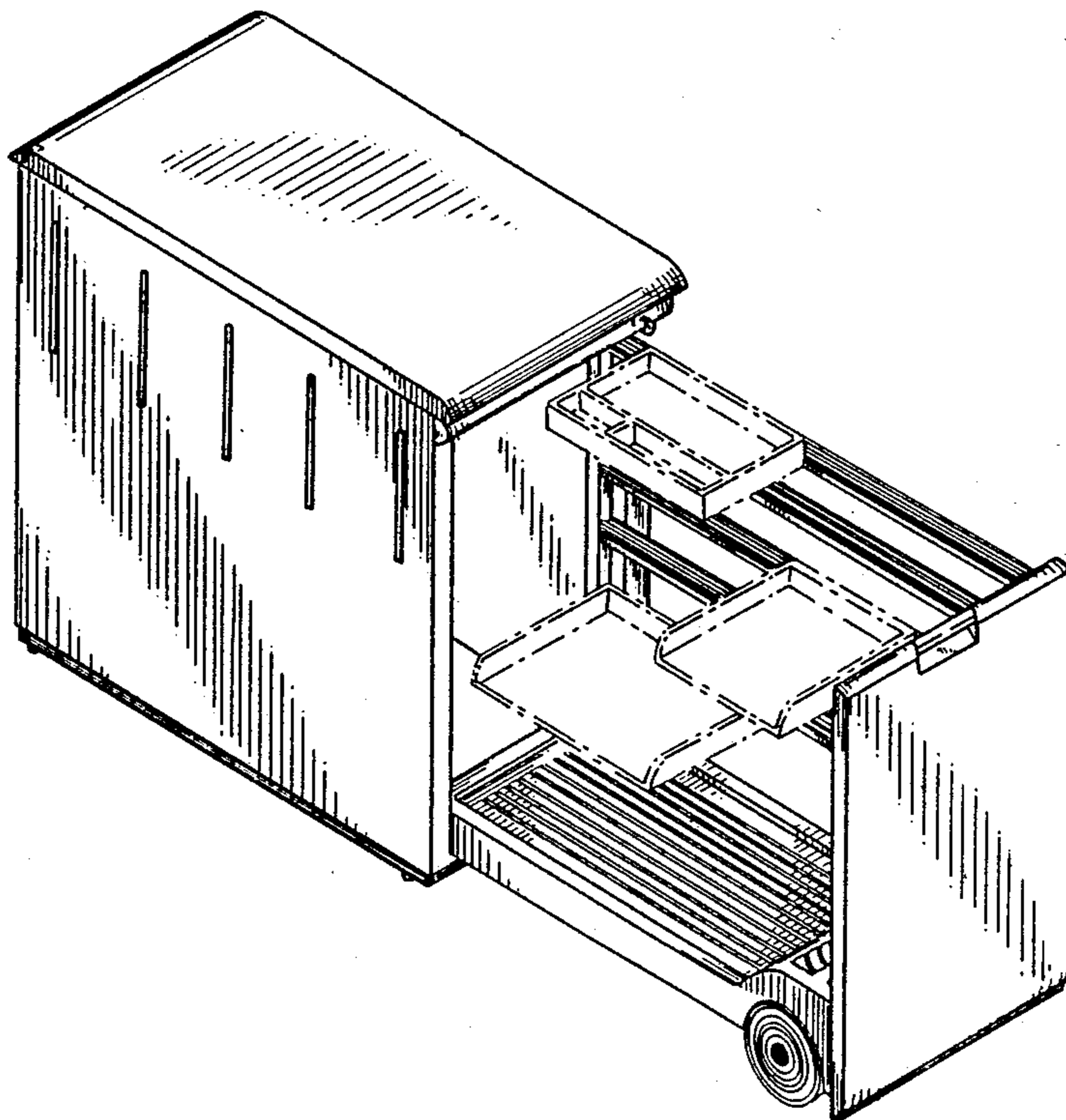
Primary Examiner—Carmen H. Vales-Lado
Assistant Examiner—Schon C. Oppert
Attorney, Agent, or Firm—Varnum, Riddering, Schmidt & Howlett

[57] CLAIM

The ornamental design for a storage cabinet, as shown and described.

DESCRIPTION

FIG. 1 is a top perspective view of the storage cabinet showing my new design;
FIG. 2 is a left side elevational view, the right side being a mirror image thereof;
FIG. 3 is a top plan view thereof;
FIG. 4 is a front elevational view thereof;
FIG. 5 is a rear elevational view thereof;
FIG. 6 is a top perspective view, with the drawer in a closed position; and
FIG. 7 is a top perspective view of another embodiment of my storage cabinet shown in FIG. 4.
The broken line showing of file trays in FIG. 1 is for illustrative purposes only and forms no part of the claimed design.



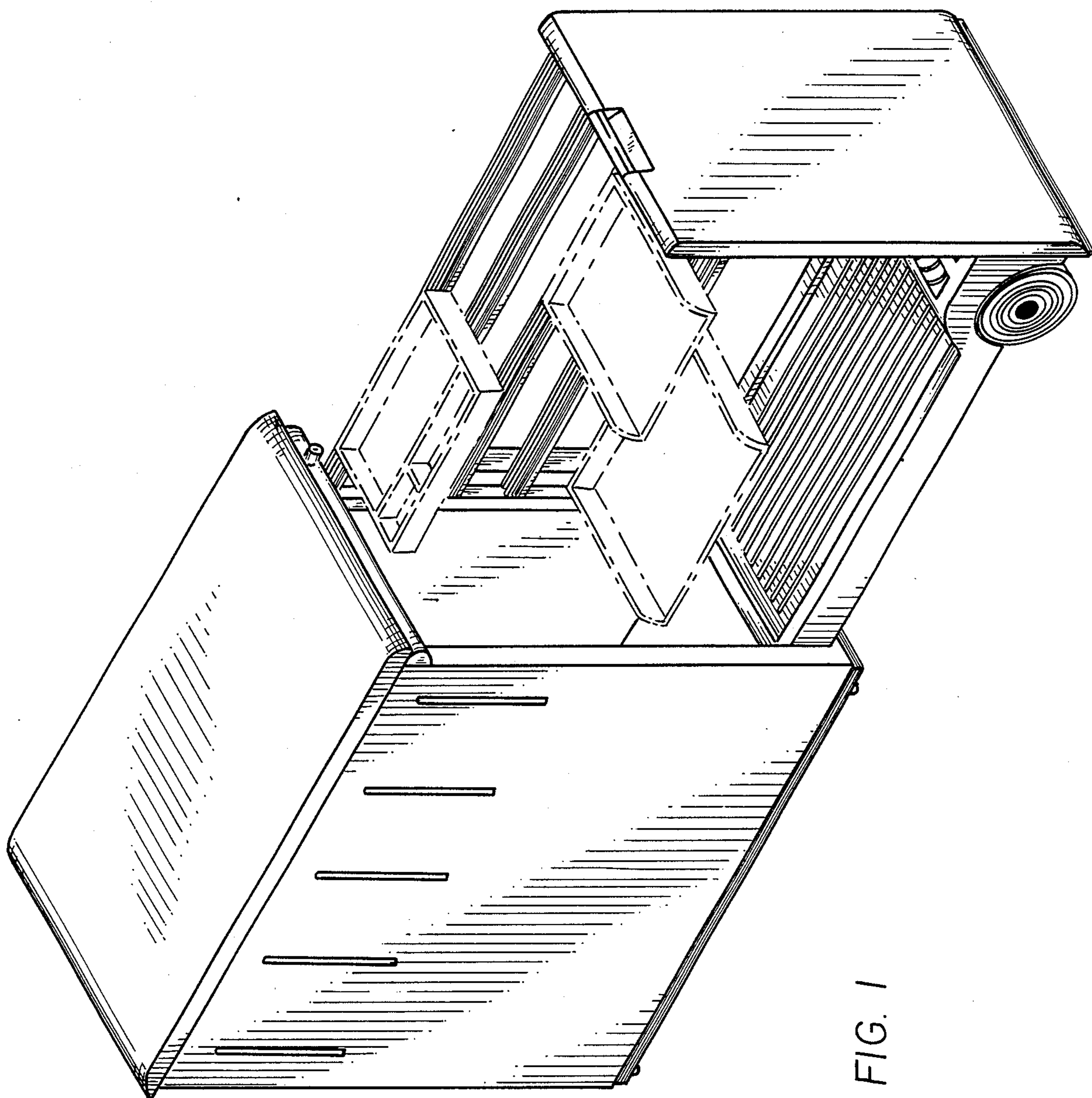


FIG. 1

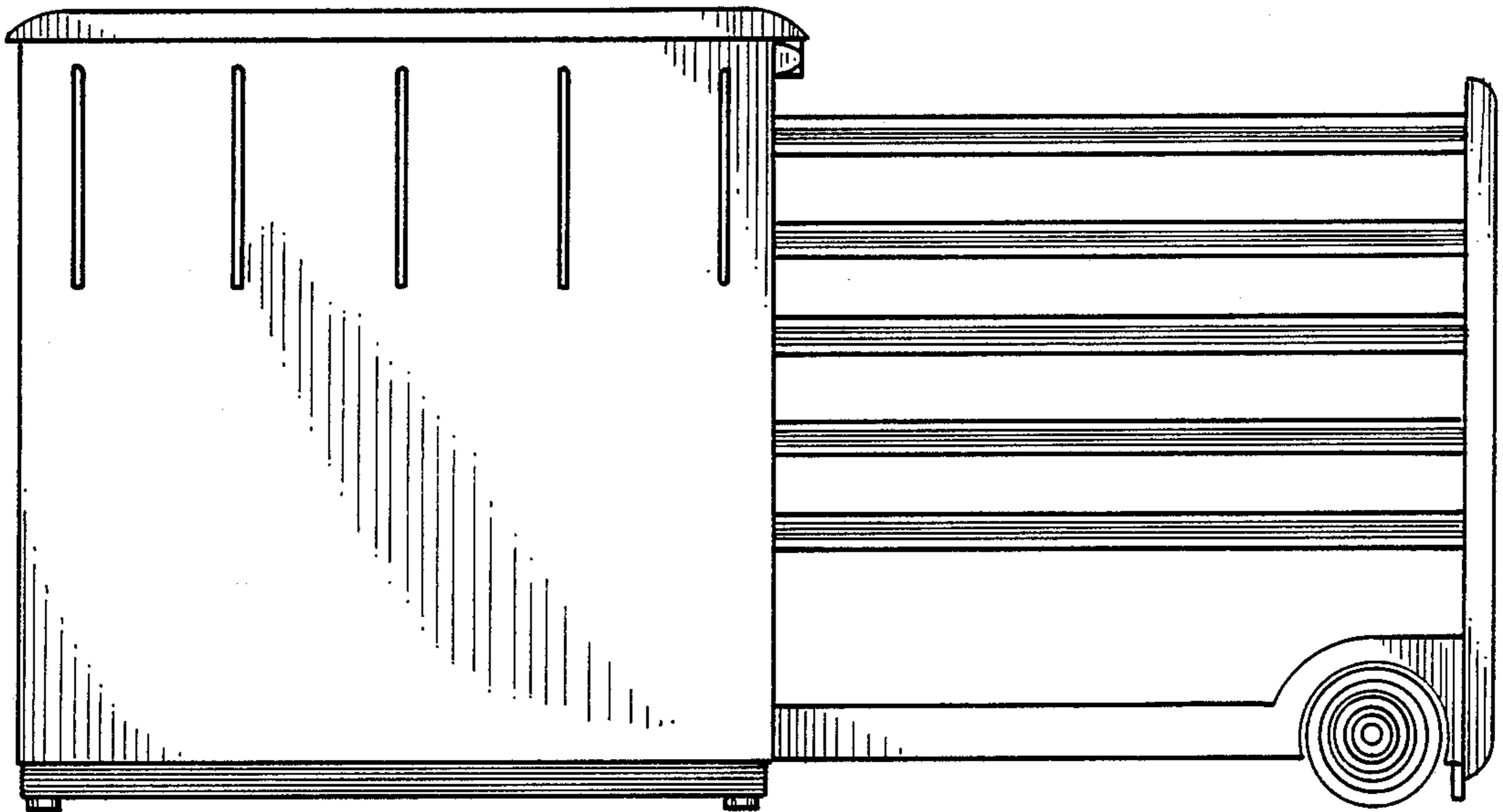


FIG. 2

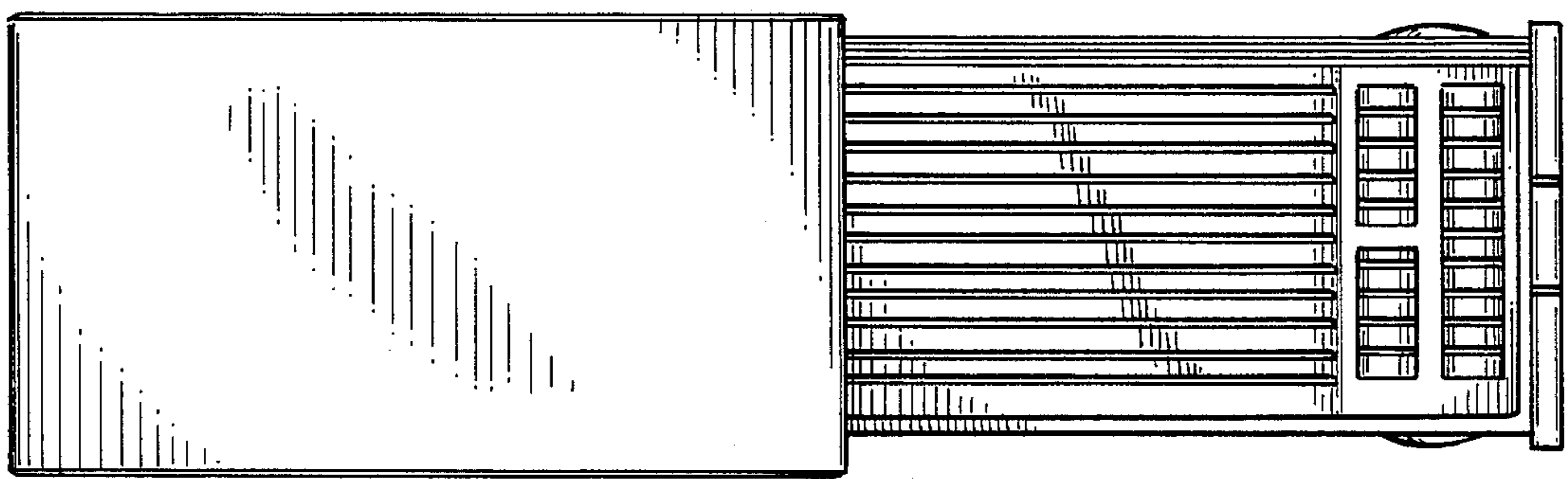


FIG. 3

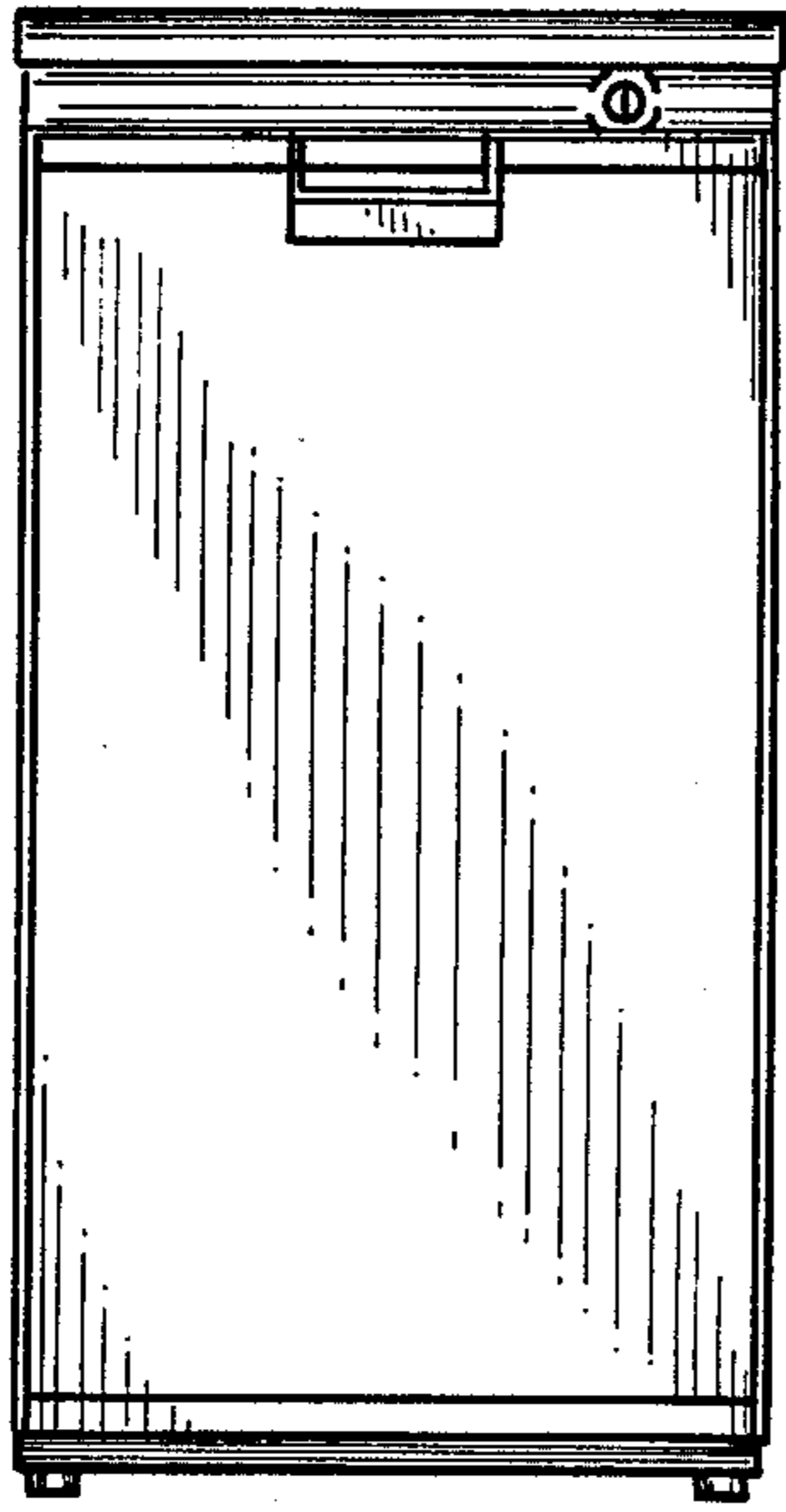


FIG. 4

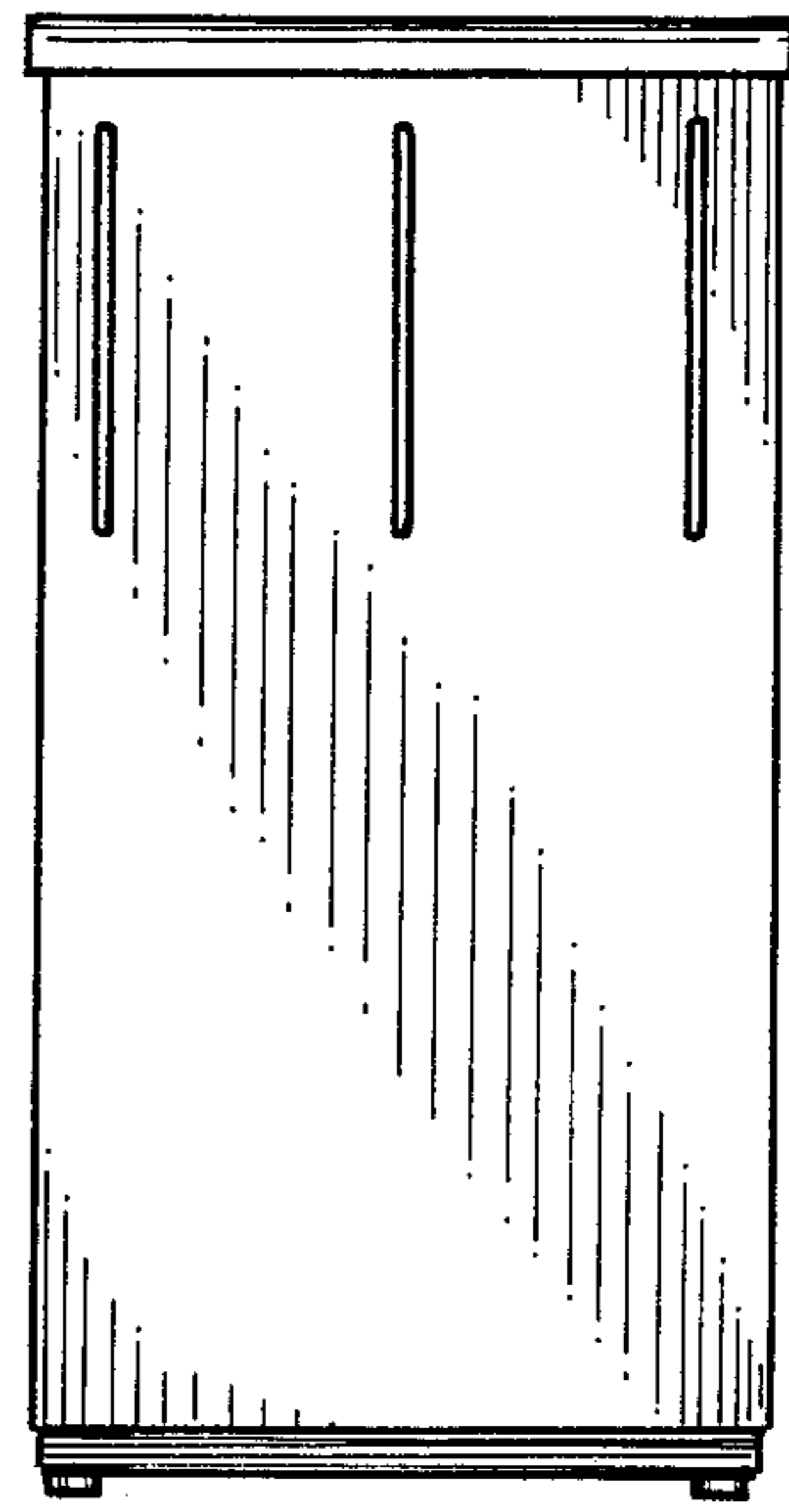


FIG. 5

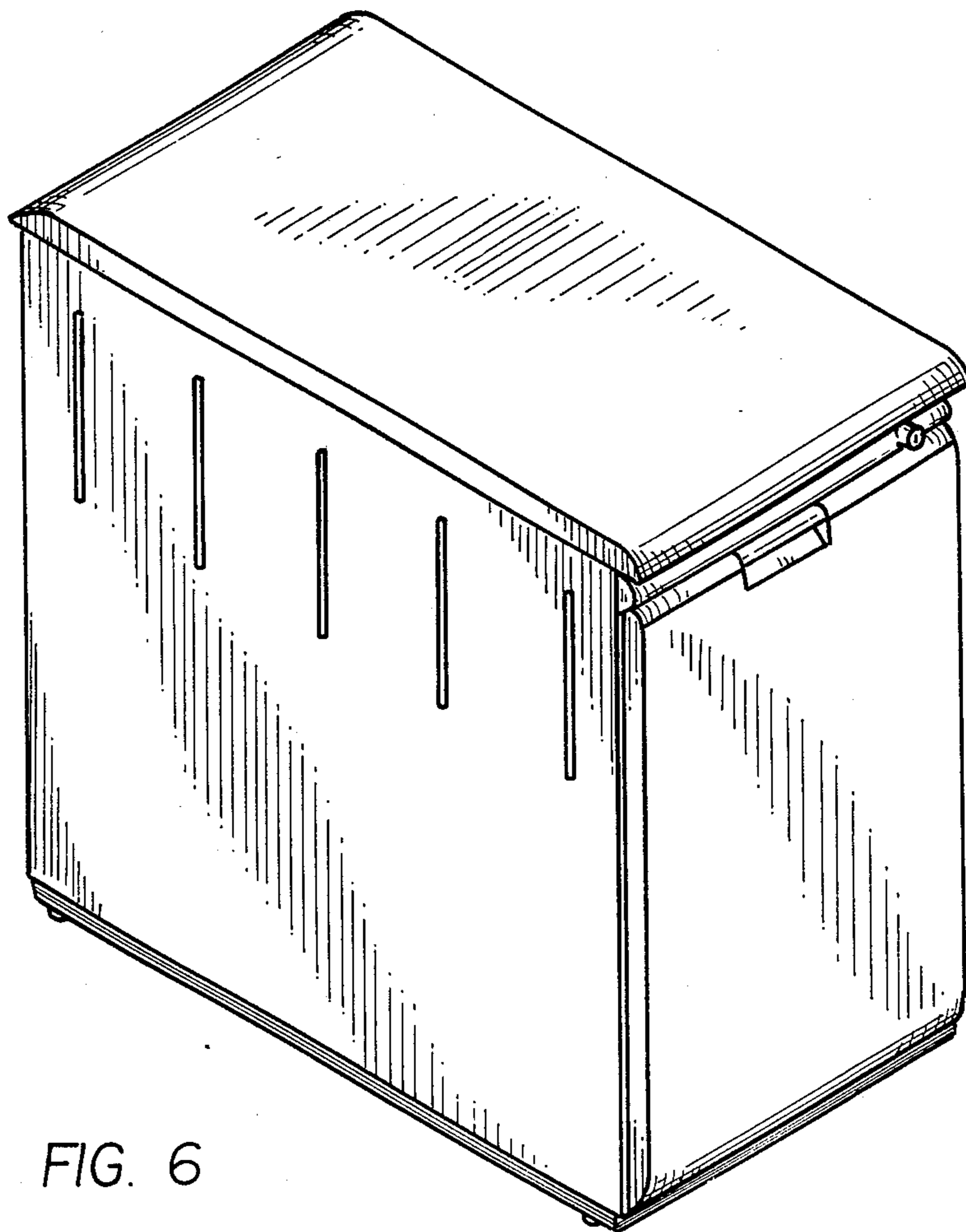


FIG. 6

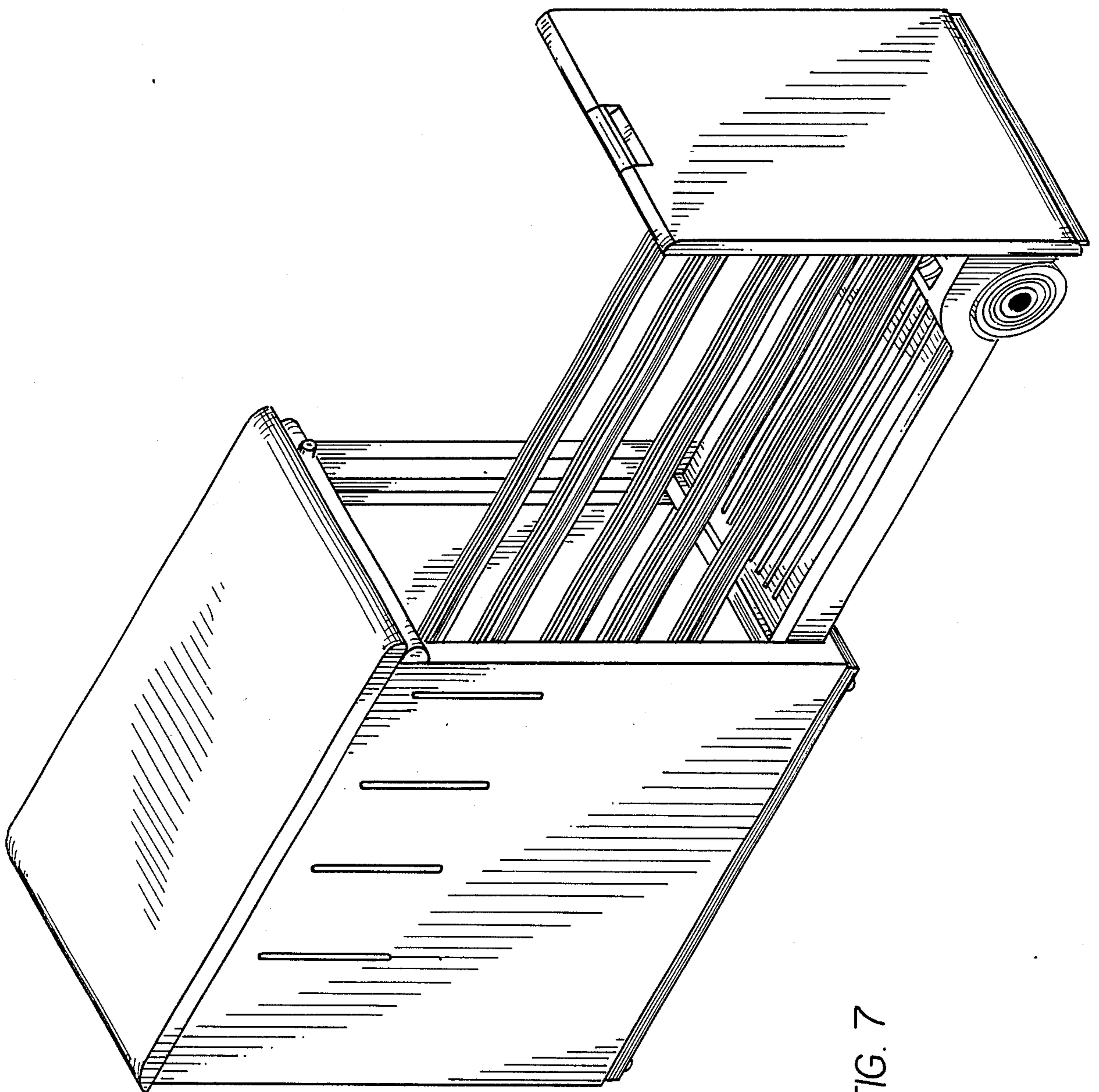


FIG. 7