

[54] COMBINED VANITY AND SEAT UNIT

[76] Inventor: Oanh Pham-Phu,  
Hohenzollernstrasse 97, 8000  
Munich 40, Fed. Rep. of Germany

[\*\*] Term: 14 Years

[21] Appl. No.: 922,541

[22] Filed: Oct. 22, 1986

[30] Foreign Application Priority Data

Apr. 23, 1986 [DE] Fed. Rep. of Germany ... AR 313/86

[52] U.S. Cl. .... D6/397; D6/338;  
D6/399; D6/444

[58] Field of Search ..... D6/335, 336, 338, 396,  
D6/397, 441, 444, 399, 428, 429-430; 312/224,  
226, 233; 297/140

[56] References Cited

U.S. PATENT DOCUMENTS

- D. 164,748 10/1951 Webster ..... D6/338
- D. 166,006 2/1952 Trumfio ..... D6/338
- D. 167,404 8/1952 Huth ..... D6/338
- D. 168,317 12/1952 Rothenstein ..... D6/397 X
- D. 260,210 8/1981 Gibson ..... D6/444 X
- D. 264,279 5/1982 Zabrowsky ..... D6/428

- D. 264,287 5/1982 Yoshiyuki ..... D6/444 X
- 2,430,241 11/1947 Nicholas ..... D6/336 X
- 3,822,078 7/1974 Spadolini ..... 297/140
- 4,258,964 3/1981 Cowen, Jr. et al. .... 312/224

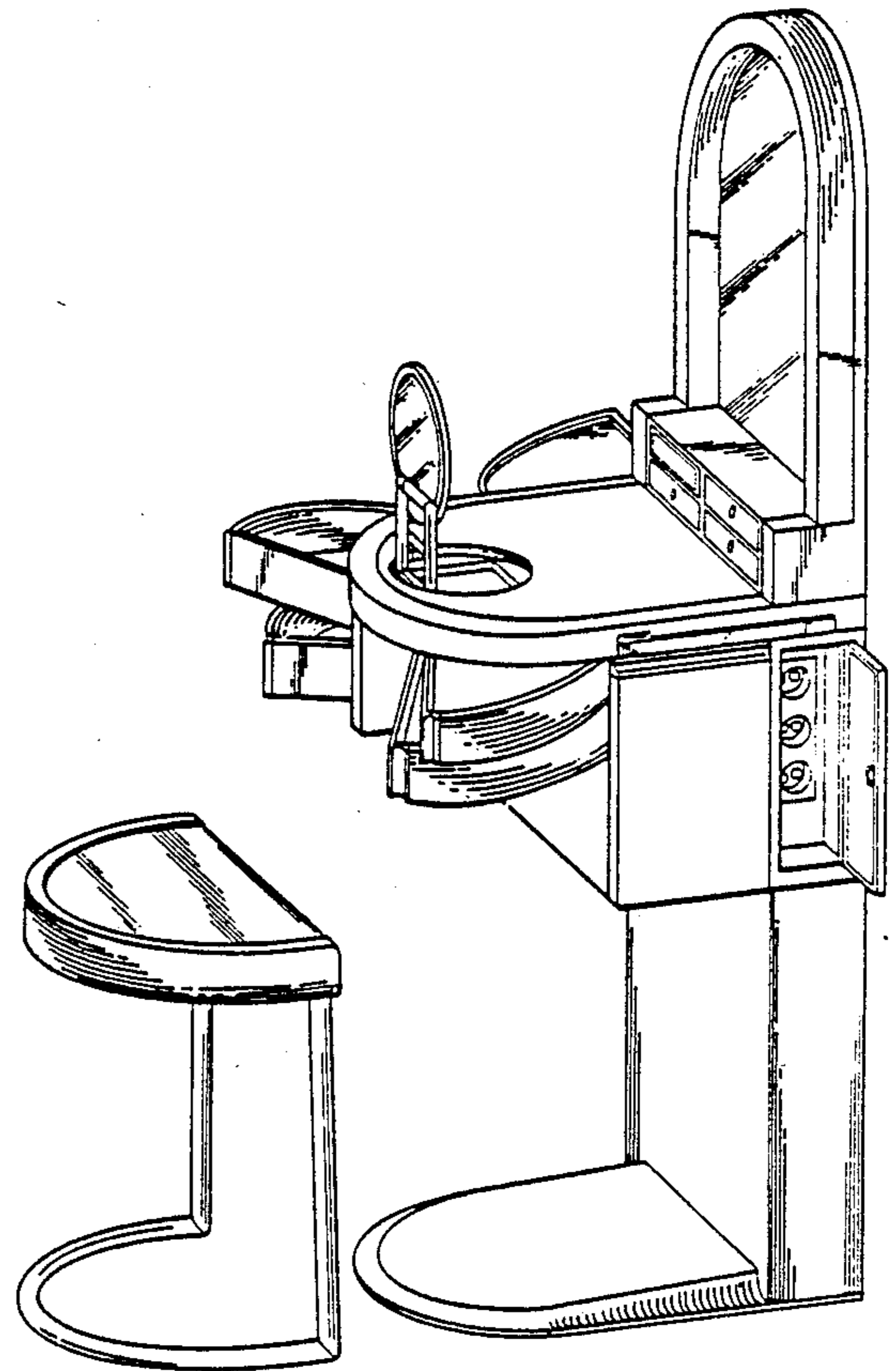
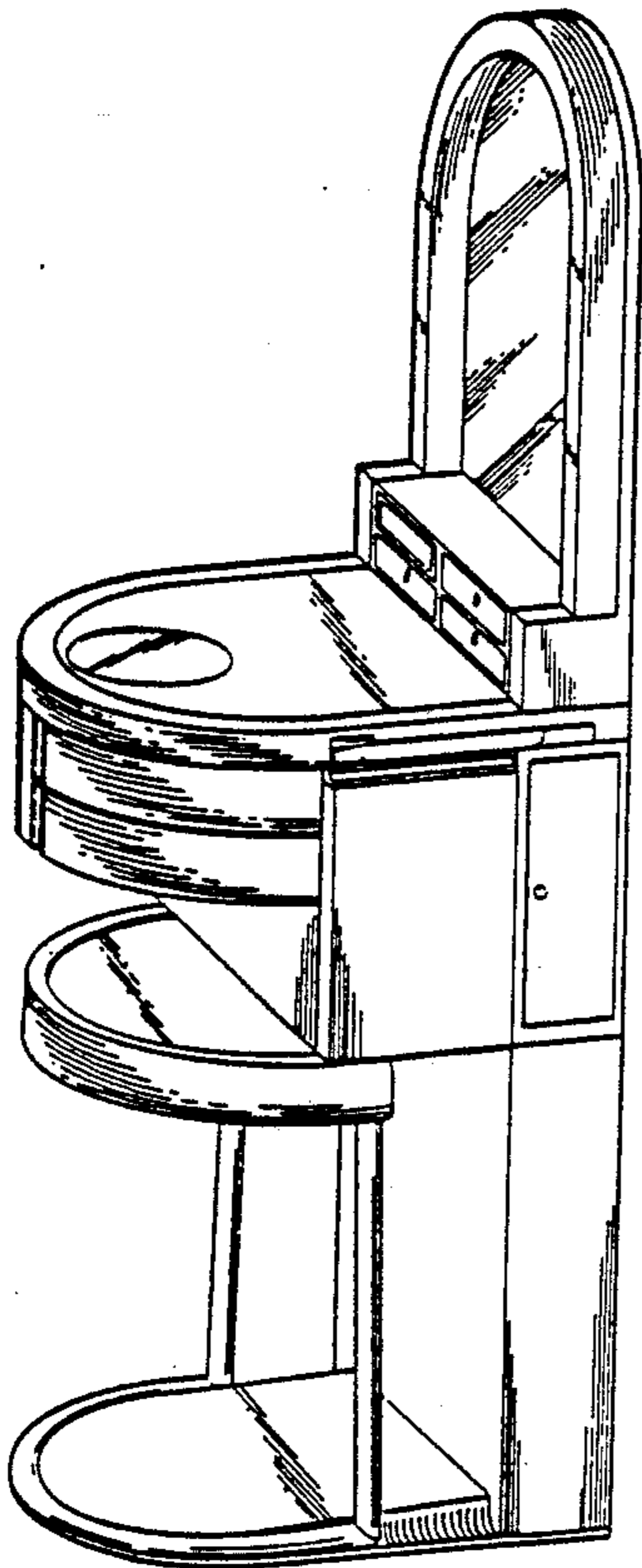
Primary Examiner—Carmen H. Vales-Lado  
Attorney, Agent, or Firm—Scully, Scott, Murphy &  
Presser

[57] CLAIM

The ornamental design for a combined vanity and seat unit, as shown and described.

DESCRIPTION

FIG. 1 is a perspective view of a combined vanity and seat unit showing my new design;  
 FIG. 2 is an exploded right side perspective view with the drawers and doors in open position, the ultraviolet lamp in extended condition for use;  
 FIG. 3 is an exploded left side perspective view thereof;  
 FIG. 4 is a front elevational view of FIG. 1;  
 FIG. 5 is a right side elevation view thereof;  
 FIG. 6 is a rear elevation view thereof;  
 FIG. 7 is a left side elevational view thereof;  
 FIG. 8 is a top plan view thereof; and  
 FIG. 9 is an enlarged detail perspective view of the ultraviolet lamp.  
 The bottom of the vanity is flat and unornamented.



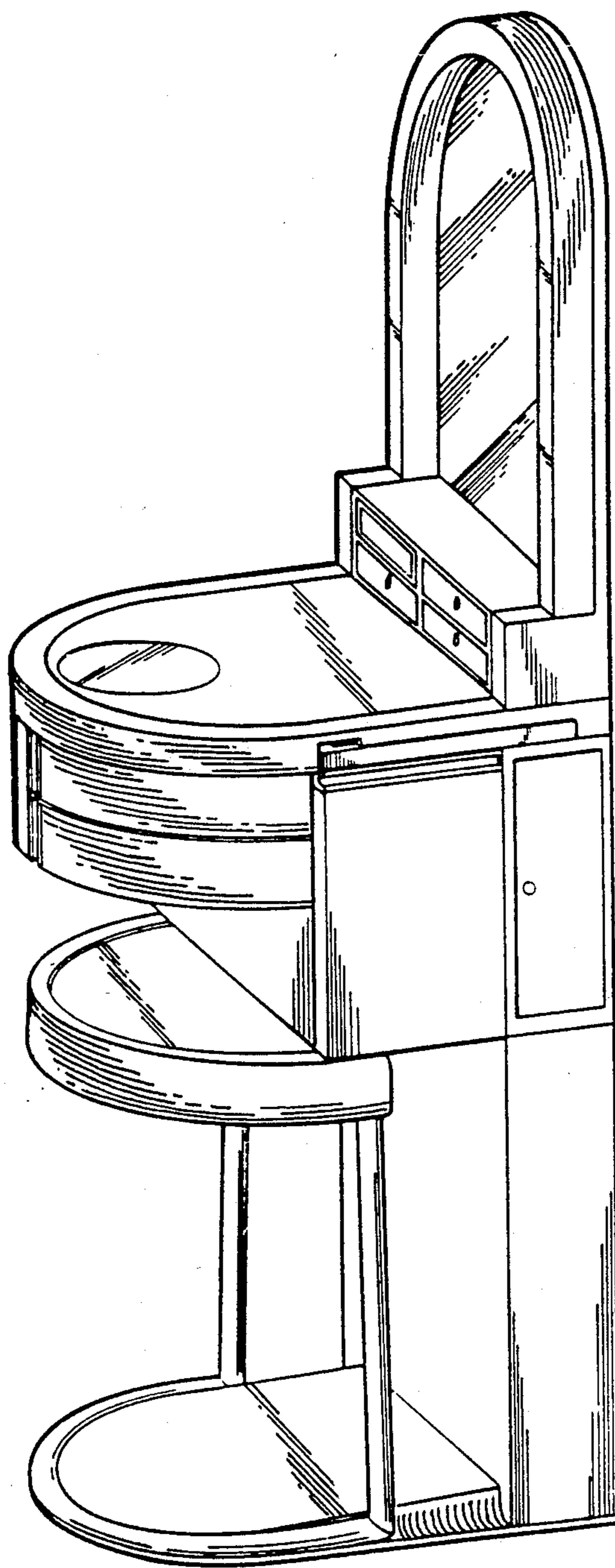


FIG. 1

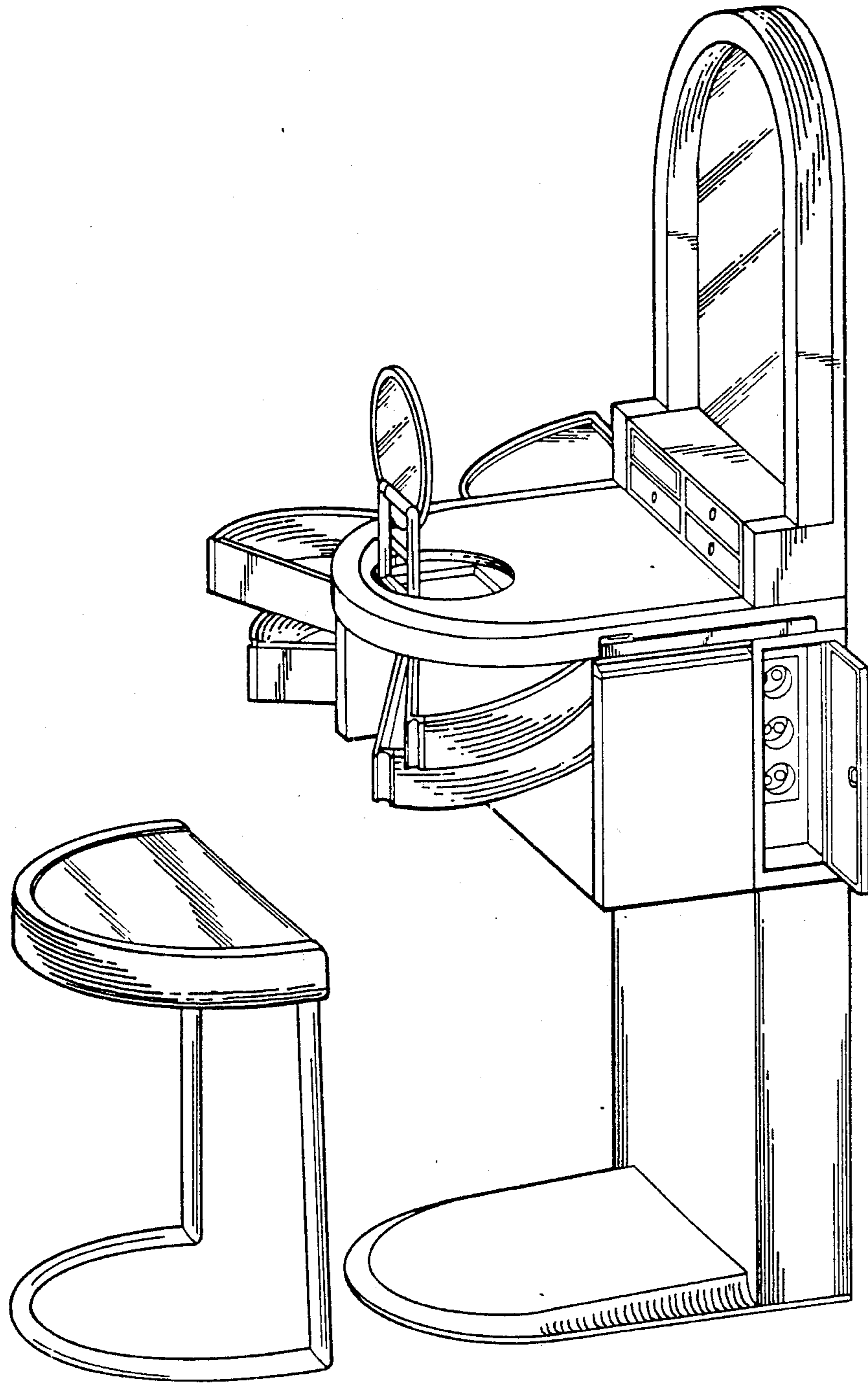


FIG. 2



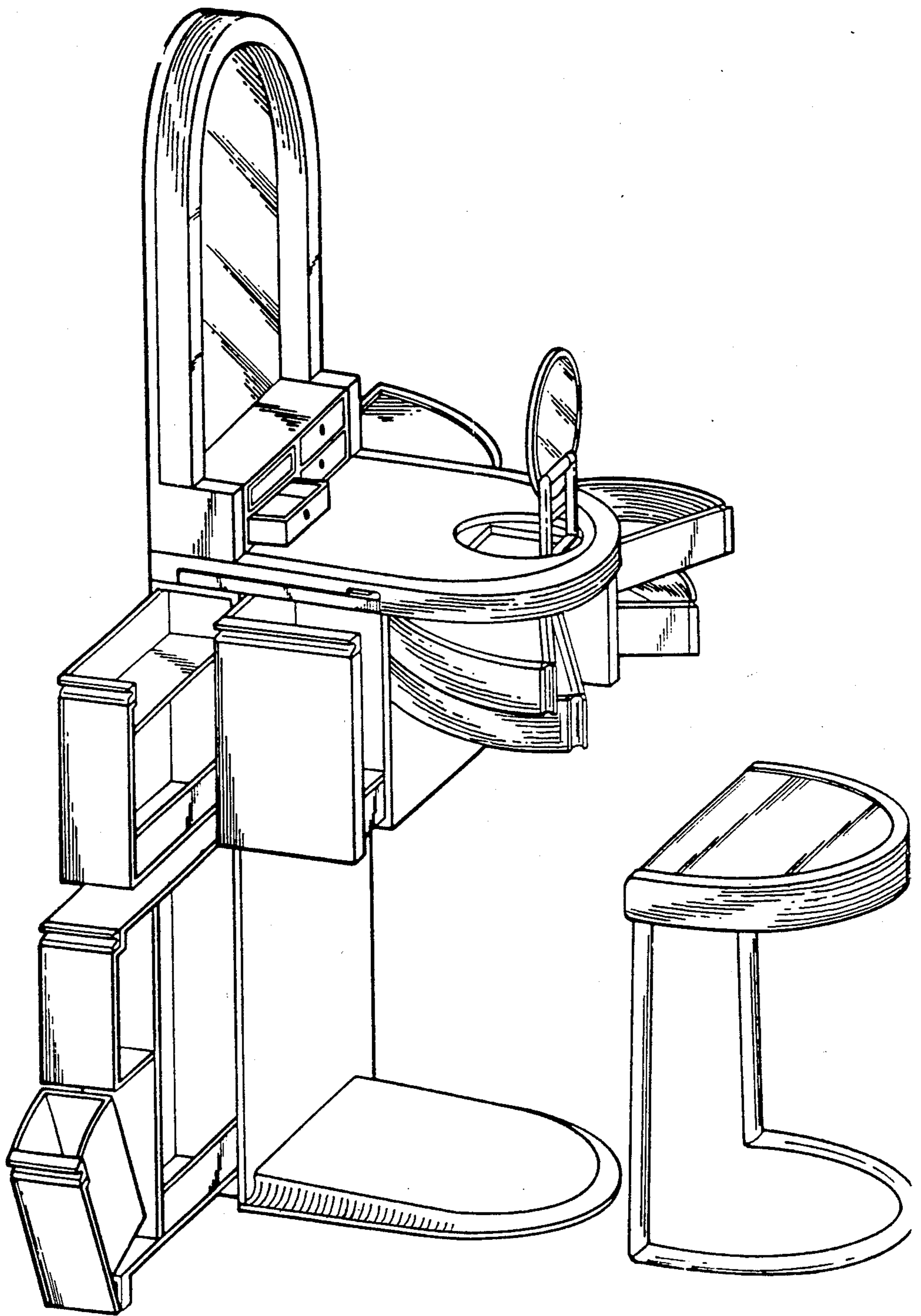


FIG. 3

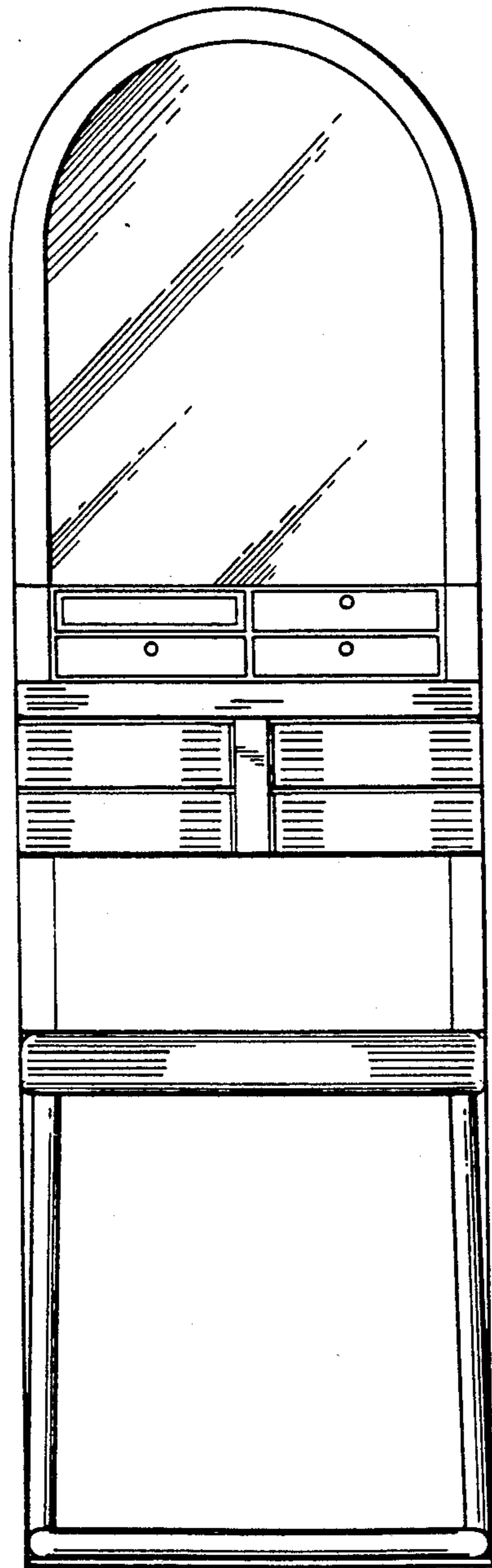


FIG. 4

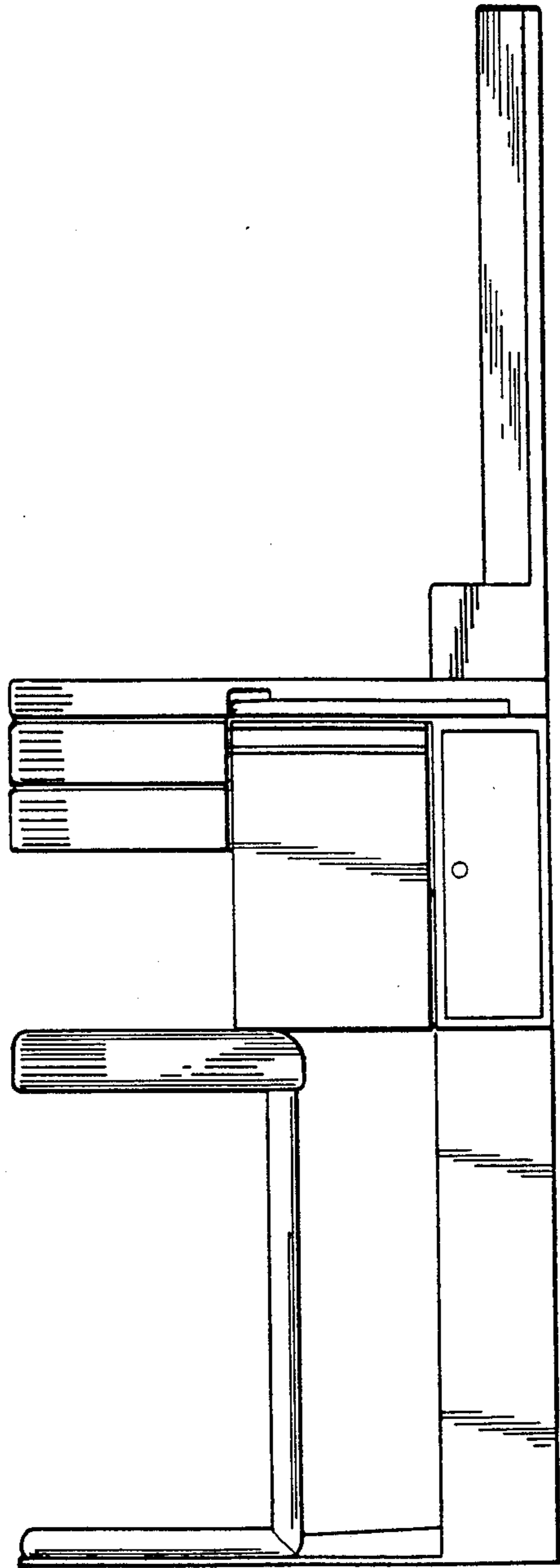


FIG. 5

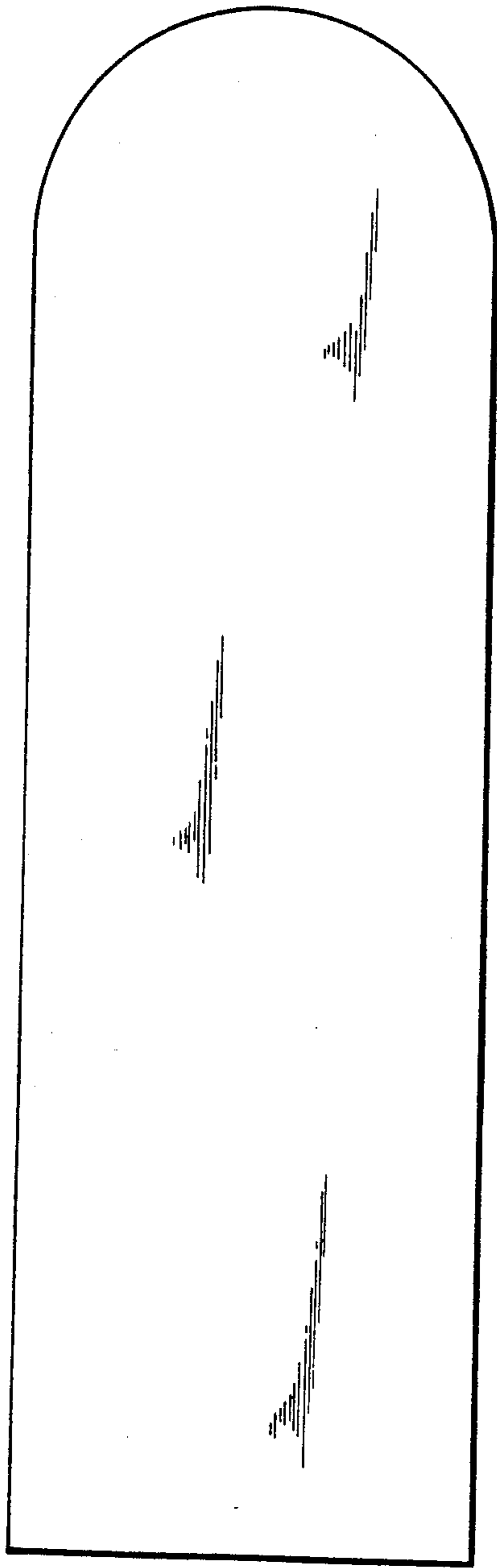


FIG. 6

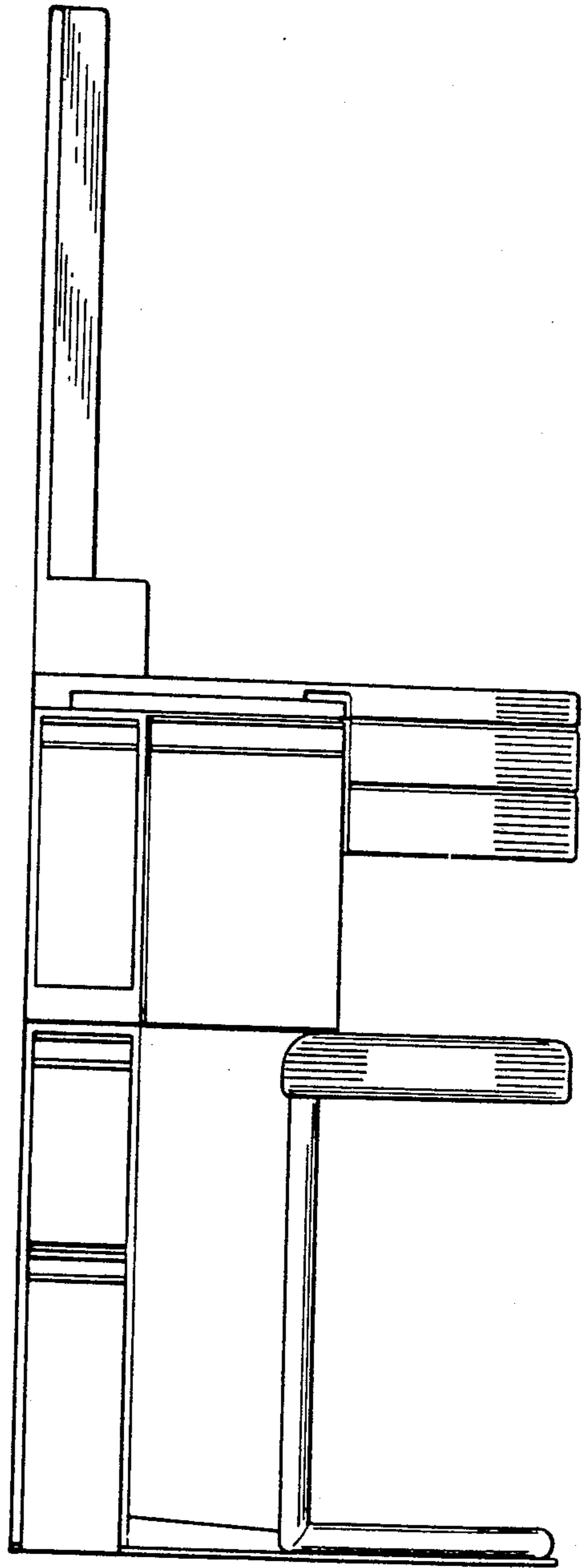


FIG. 7

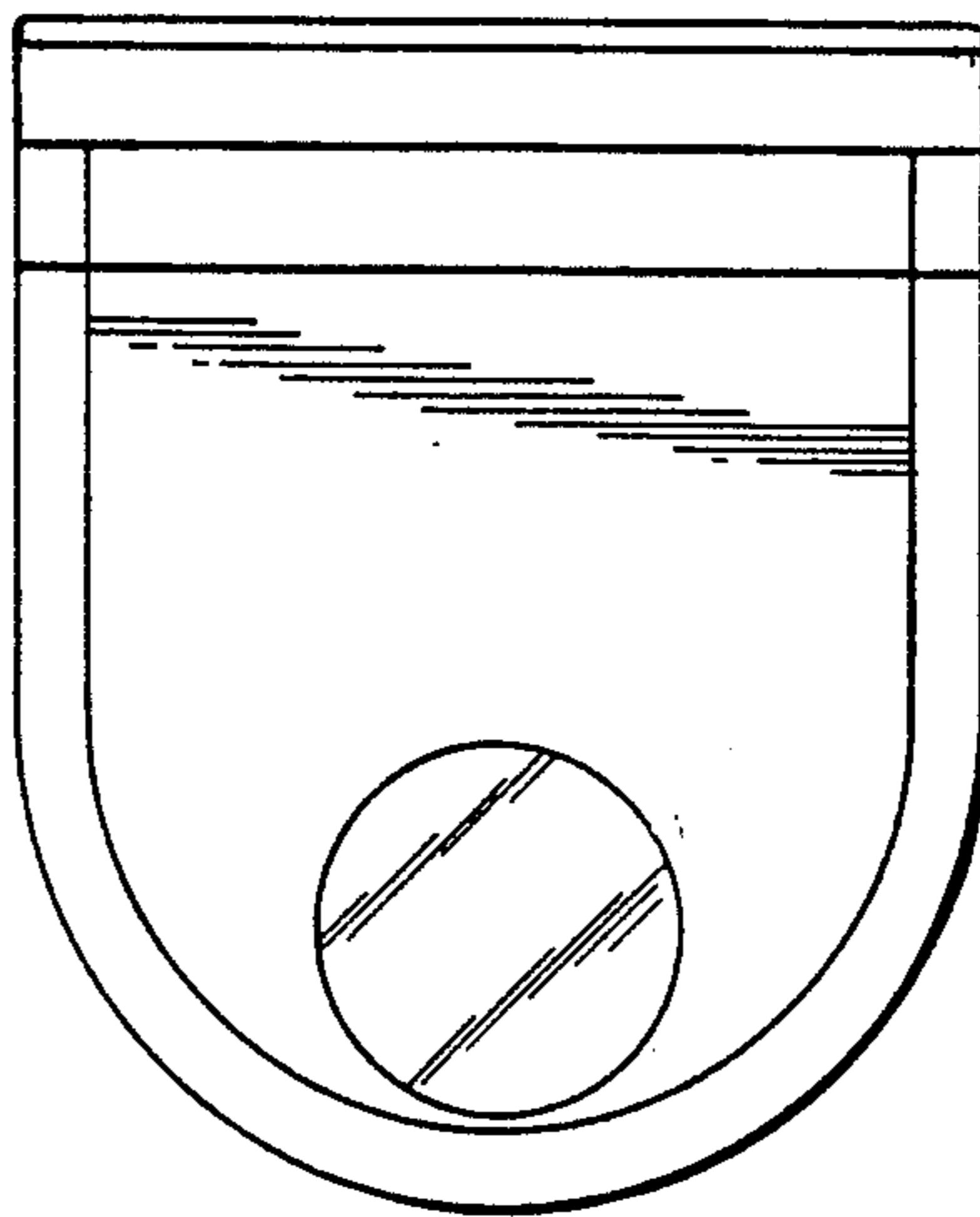


FIG. 8

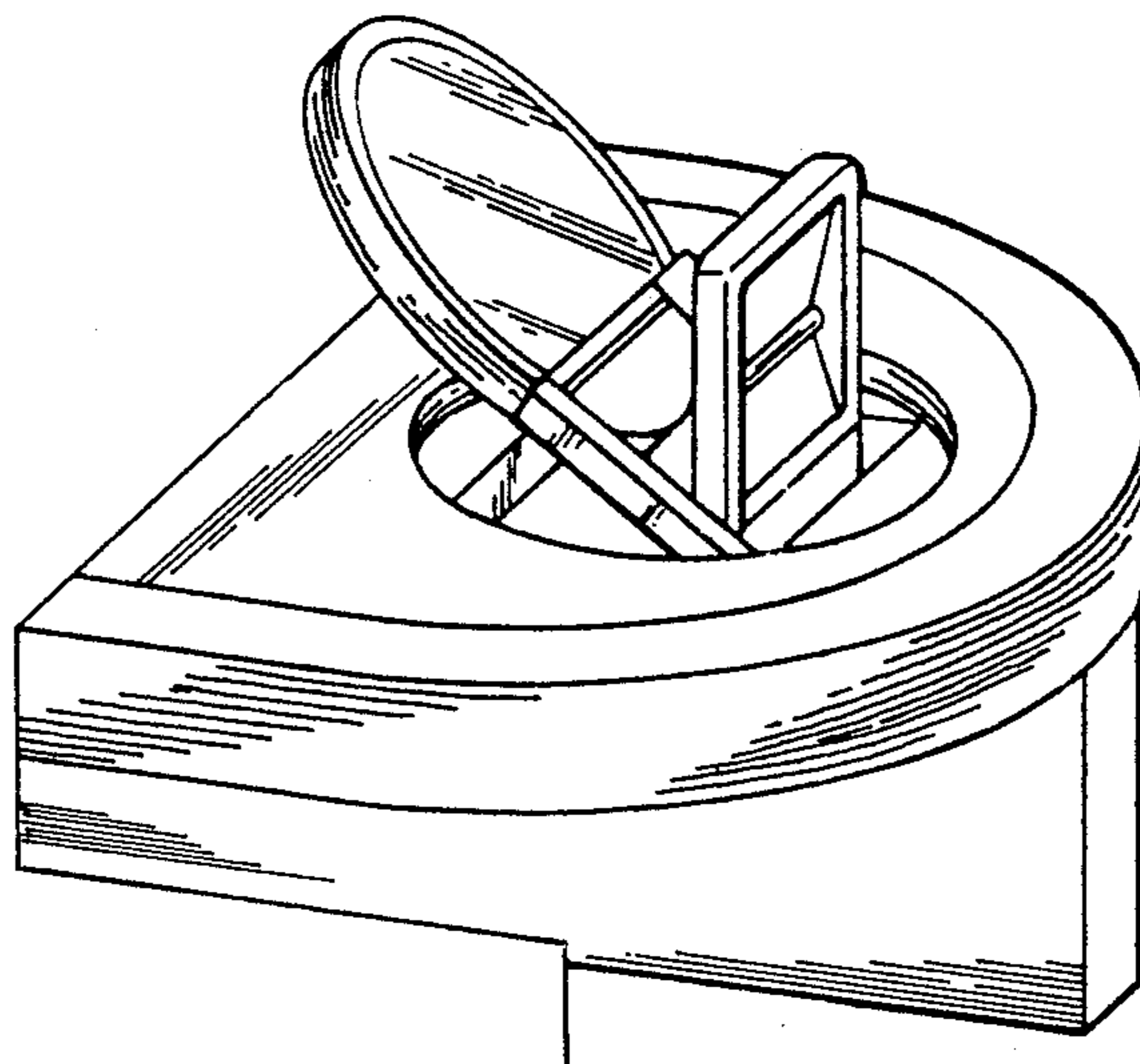


FIG. 9