

- [54] **TUBULAR ARM CHAIR**
- [75] **Inventor: Gregory M. Saul, Jefferson City, Tenn.**
- [73] **Assignee: Shelby Williams Industries, Inc., Chicago, Ill.**
- [\*\*] **Term: 14 Years**
- [21] **Appl. No.: 30,097**
- [22] **Filed: Mar. 26, 1987**
- [52] **U.S. Cl. .... D6/380; D6/373**
- [58] **Field of Search ..... D6/334, 379, 371, 372, D6/373, 380**

- [56] **References Cited**  
**U.S. PATENT DOCUMENTS**  
D. 298,987 12/1988 Tiffany ..... D6/380  
3,899,207 8/1975 Mueller ..... D6/371

**OTHER PUBLICATIONS**  
Contract Furniture Co., ©1983, p. 56, chair, right bottom corner.

Interiors, Dec. 1983, p. 119, chair by De Lucchi, right of page.  
Interiors, Feb. 1985, p. 129, chair, left bottom corner.  
Schoner Wohnen, Dec. 1985, p. 36, chair, bottom center right.

*Primary Examiner*—Nelson C. Holtje  
*Assistant Examiner*—Ann Hunt  
*Attorney, Agent, or Firm*—Myron C. Cass

[57] **CLAIM**

The ornamental design for a tubular arm chair, as shown and described.

**DESCRIPTION**

FIG. 1 is a front perspective view of a tubular arm chair showing my new design;  
FIG. 2 is a front elevational view thereof;  
FIG. 3 is a left side elevational view thereof;  
FIG. 4 is a top plan view thereof;  
FIG. 5 is a rear elevational view thereof; and  
FIG. 6 is a bottom plan view thereof.  
The left side elevational view is the mirror image of that shown in FIG. 3.

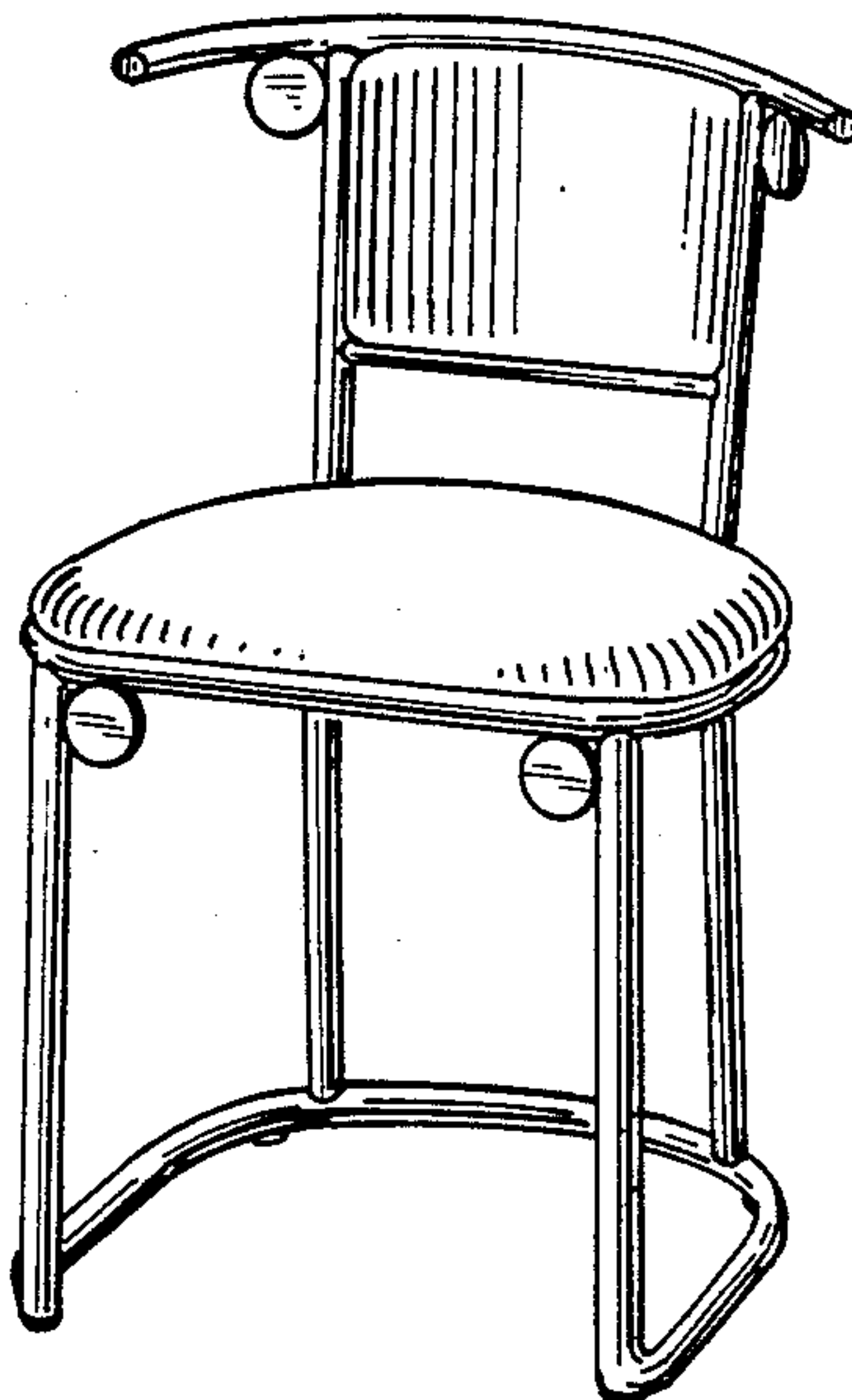


FIG. 1

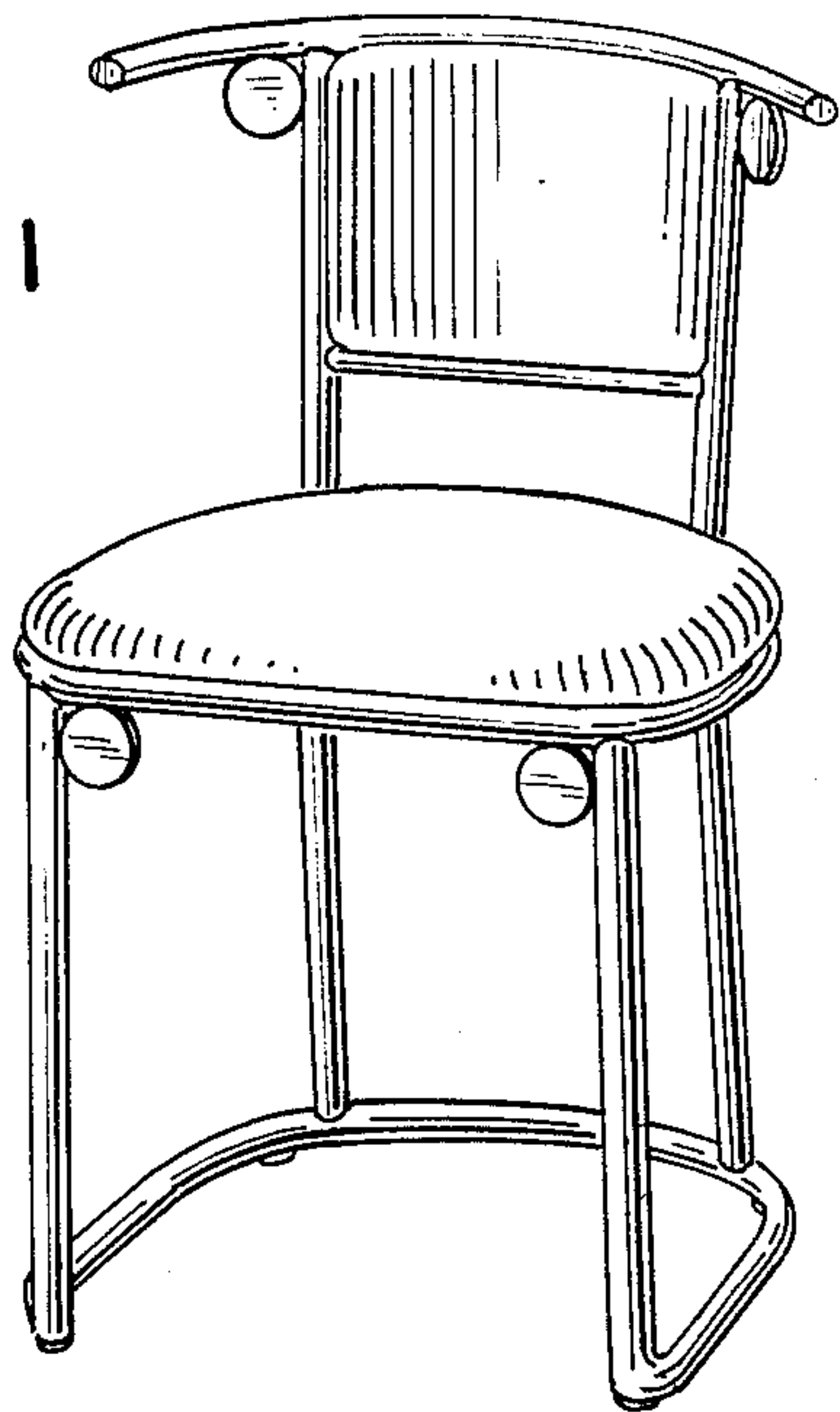


FIG. 5

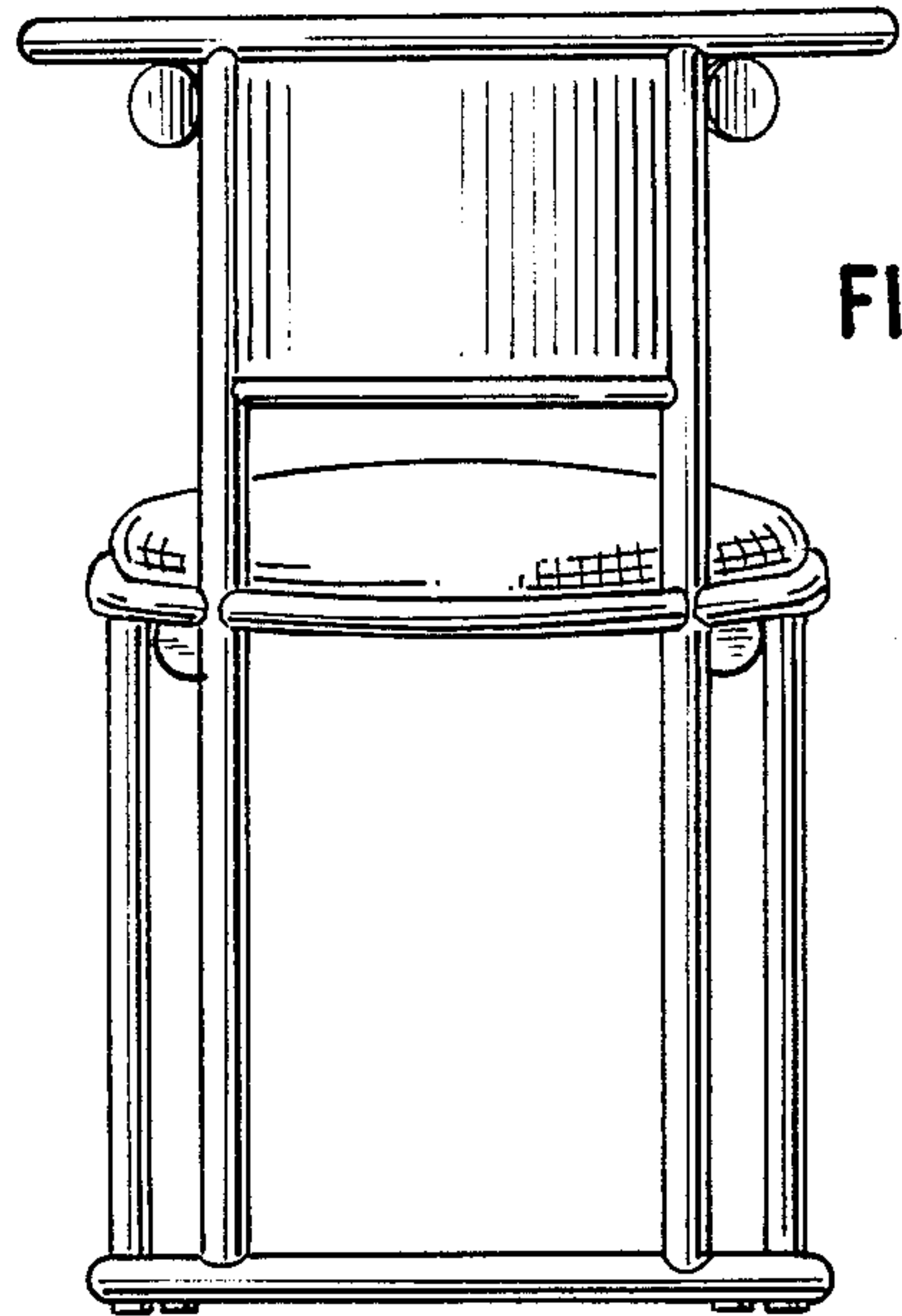


FIG. 2

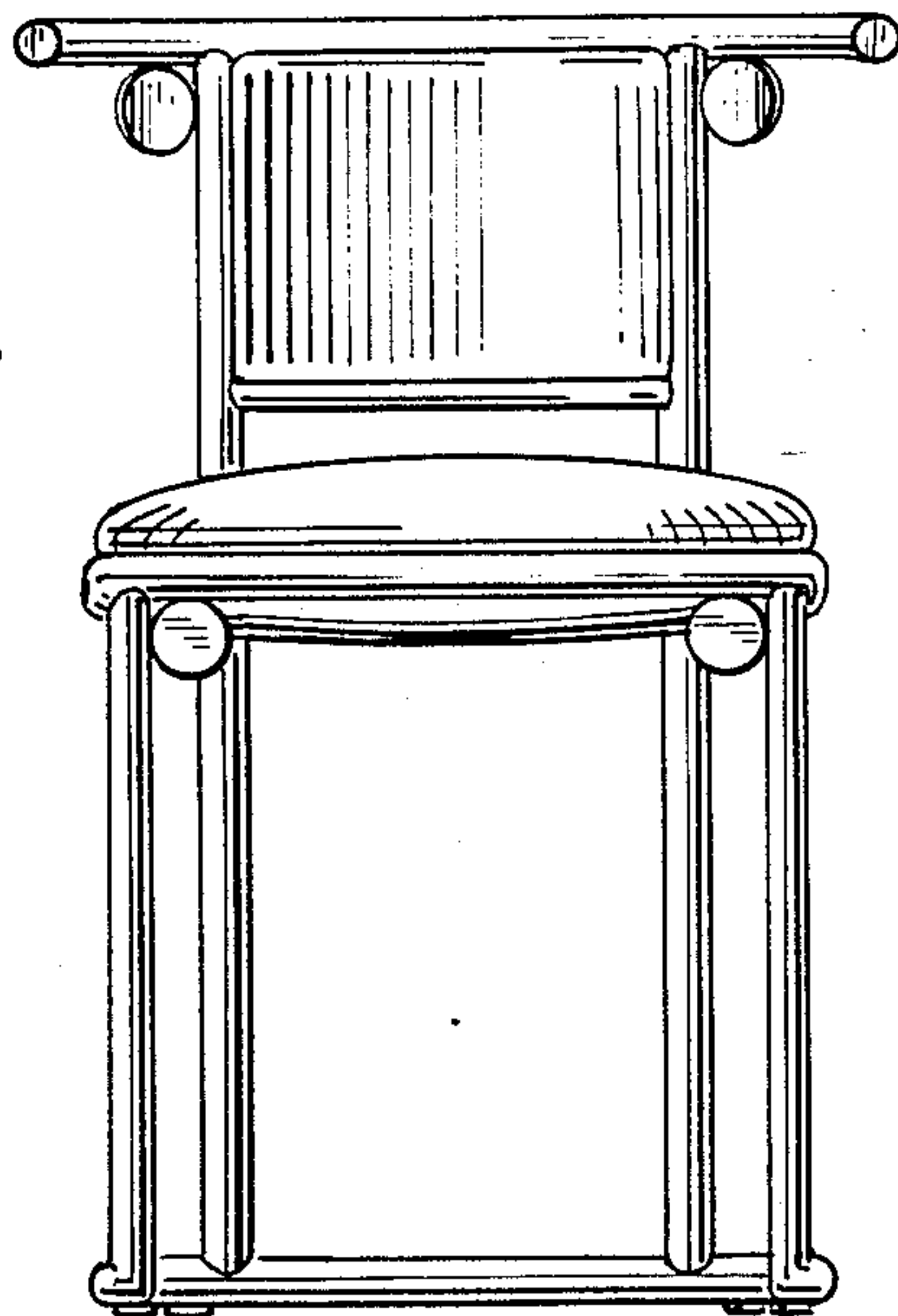


FIG. 3

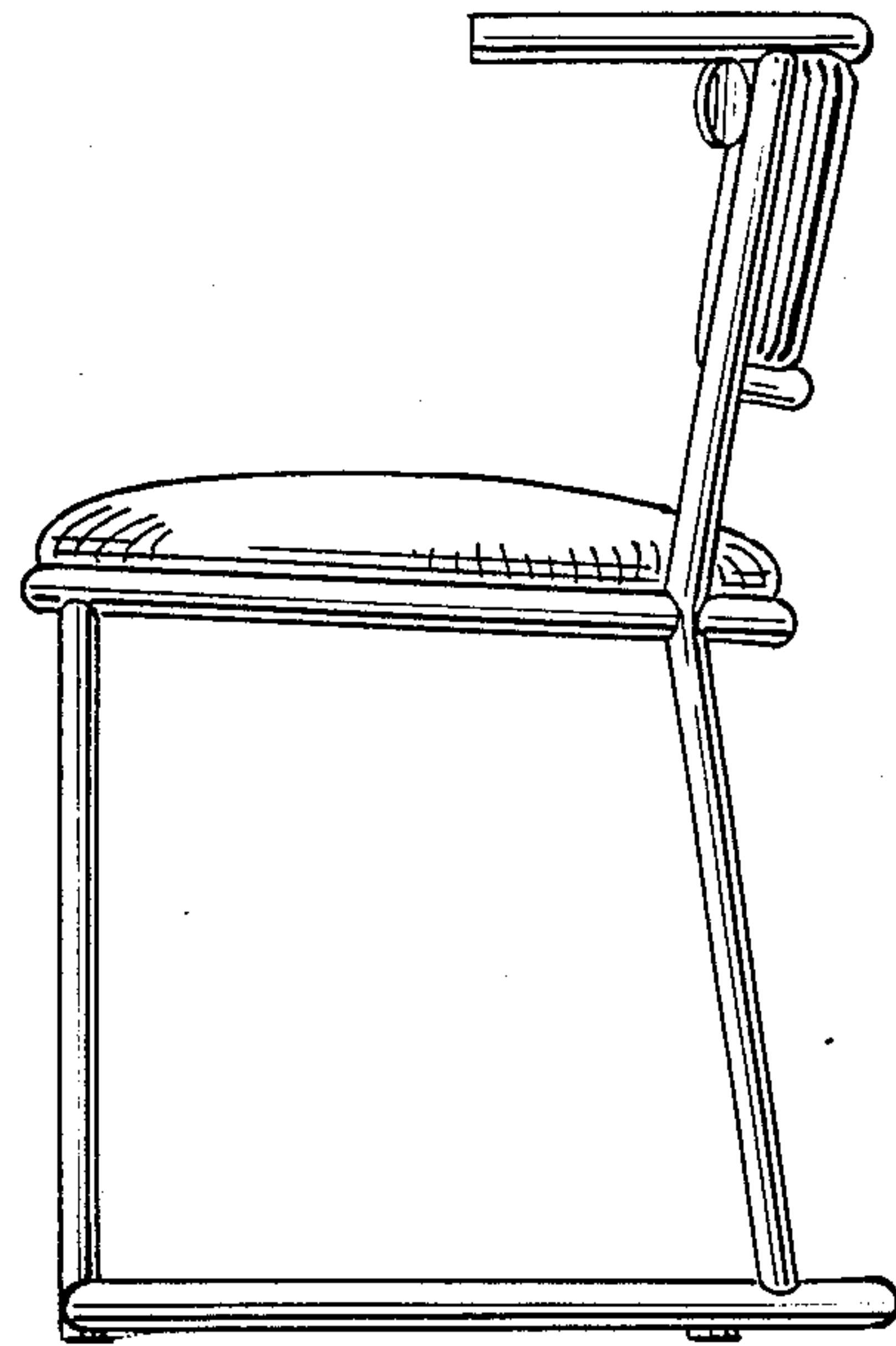


FIG. 4

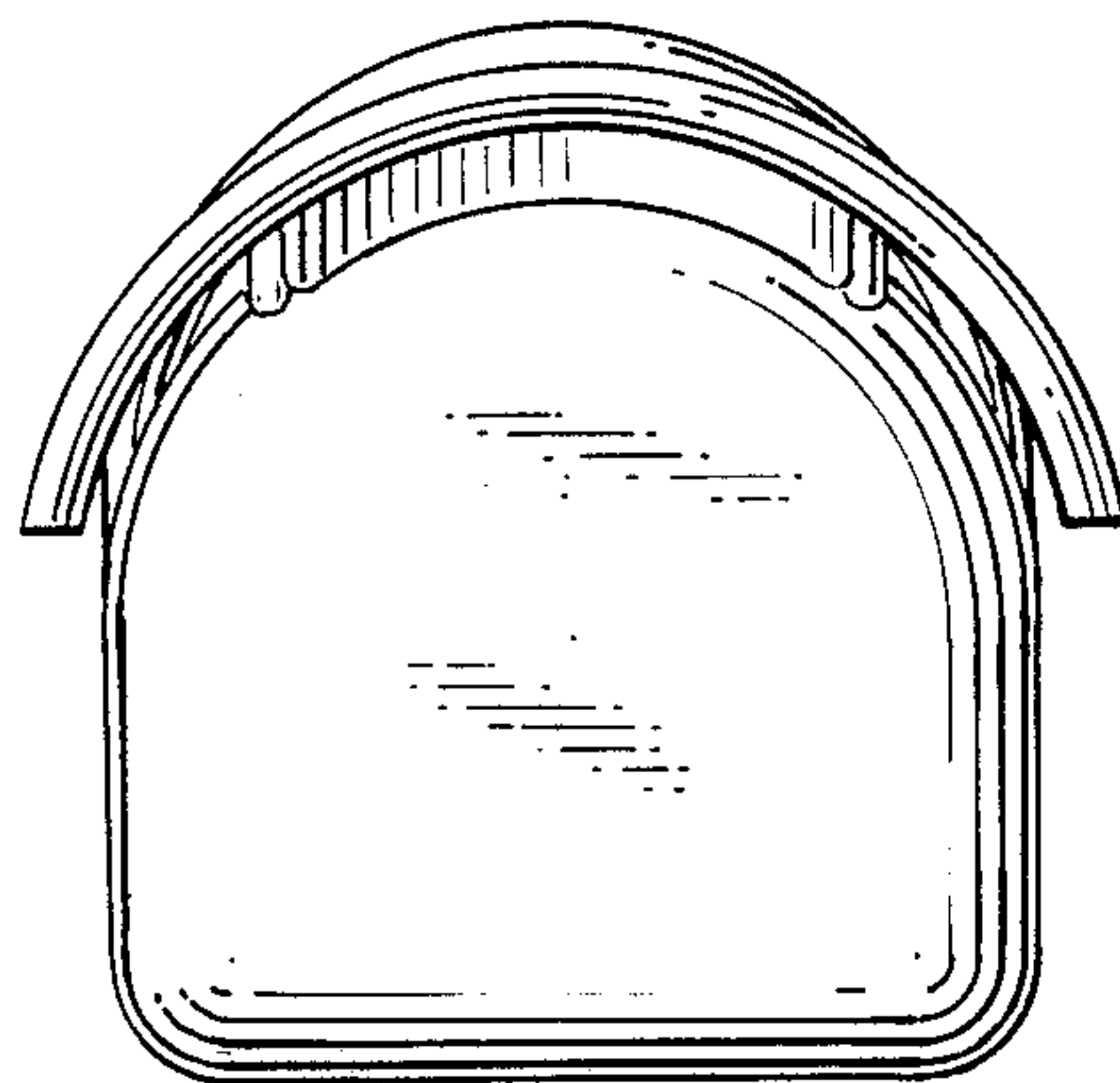


FIG. 6

