

[54] BOX  
[75] Inventor: Erhard Ferstl, Kowloon, Hong Kong  
[73] Assignee: Form & Pac Co., Ltd., Kowloon, Hong Kong

[\*\*] Term: 14 Years

[21] Appl. No.: 898,185

[22] Filed: Aug. 19, 1986

[30] Foreign Application Priority Data

Feb. 20, 1986 [GB] United Kingdom ..... 1032362

[52] U.S. Cl. .... D19/75; D3/74; D3/30.1; D19/77

[58] Field of Search ..... D3/35, 36, 38, 74, 76, D3/75; D9/341, 420, 347; 206/214, 235, 576, 561, 81, 1.7, 1.8, 1.9, 371, 564; 220/4 B, 20; D19/75, 76, 77, 81

[56] References Cited

U.S. PATENT DOCUMENTS

- D. 221,117 7/1971 Jacobs ..... D3/39
- D. 231,151 4/1974 Brefka ..... D3/36
- D. 256,480 8/1980 Wright ..... D19/75
- D. 263,561 3/1982 Wang ..... D9/347
- D. 266,675 10/1982 Polhemos et al. .... D19/75

- D. 281,227 11/1985 Okano ..... D9/347
- D. 285,094 8/1986 Li ..... D19/77
- 3,823,817 7/1974 Hughes ..... 220/20
- 4,085,845 4/1978 Perfect ..... 206/564
- 4,176,743 12/1979 Fitzpatrick ..... D19/77
- 4,271,961 6/1981 Blankenmeister ..... D3/74

FOREIGN PATENT DOCUMENTS

- 462243 6/1928 Fed. Rep. of Germany ..... 206/1.8
- 1026672 3/1958 Fed. Rep. of Germany ..... 206/1.8

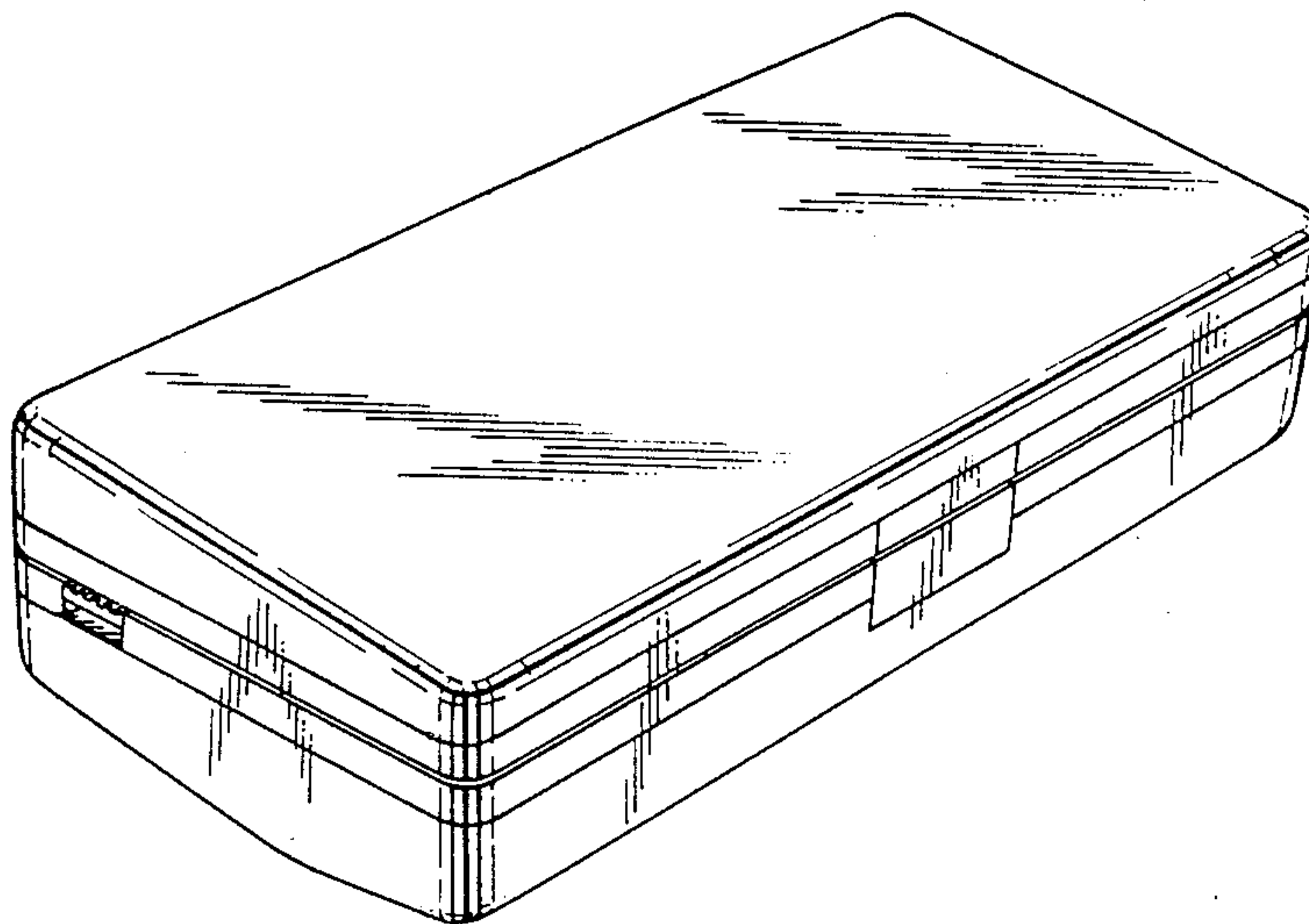
Primary Examiner—James R. Largen  
Assistant Examiner—Antoine D. Davis  
Attorney, Agent, or Firm—Birch, Stewart, Kolasch & Birch

[57] CLAIM

The ornamental design for a box, as shown and described.

DESCRIPTION

FIG. 1 is a left-front perspective view of a box showing my new design;  
FIG. 2 is a right-rear perspective view thereof;  
FIG. 3 is a left-rear perspective view thereof with the lid open;  
FIG. 4 is a right-front perspective view thereof with the lid open and the interior members in alternate positions.



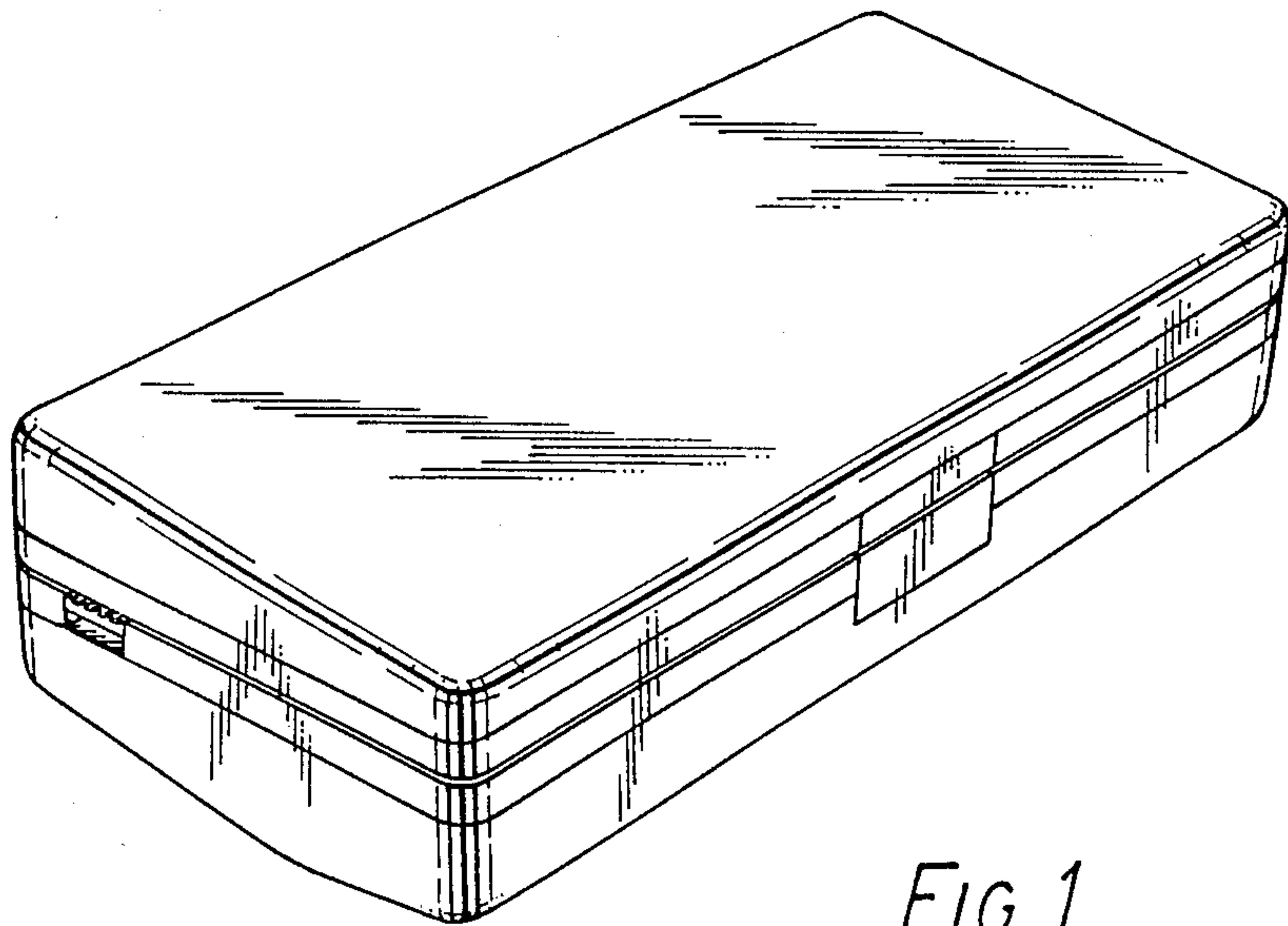


FIG. 1

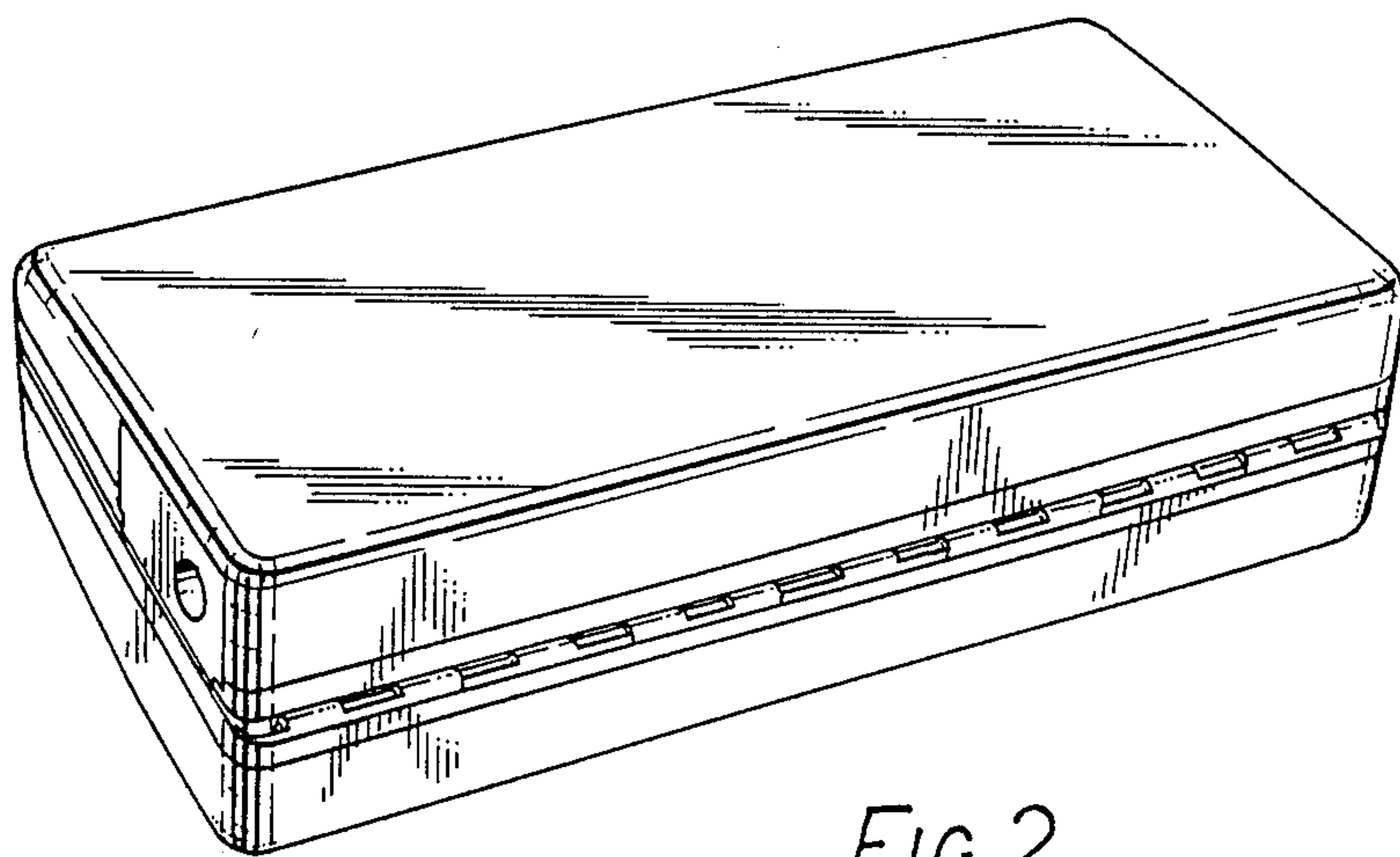


FIG. 2

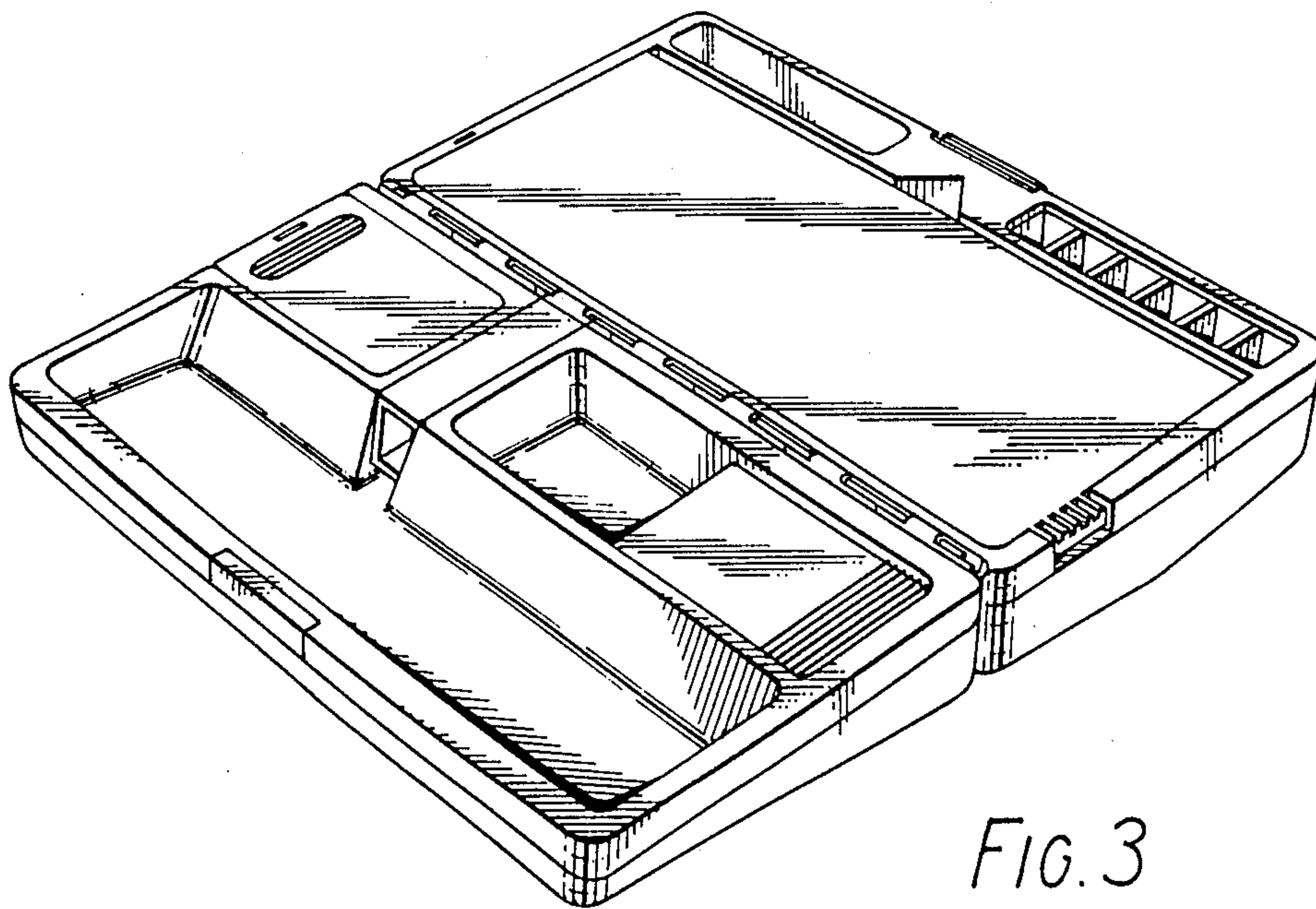


FIG. 3

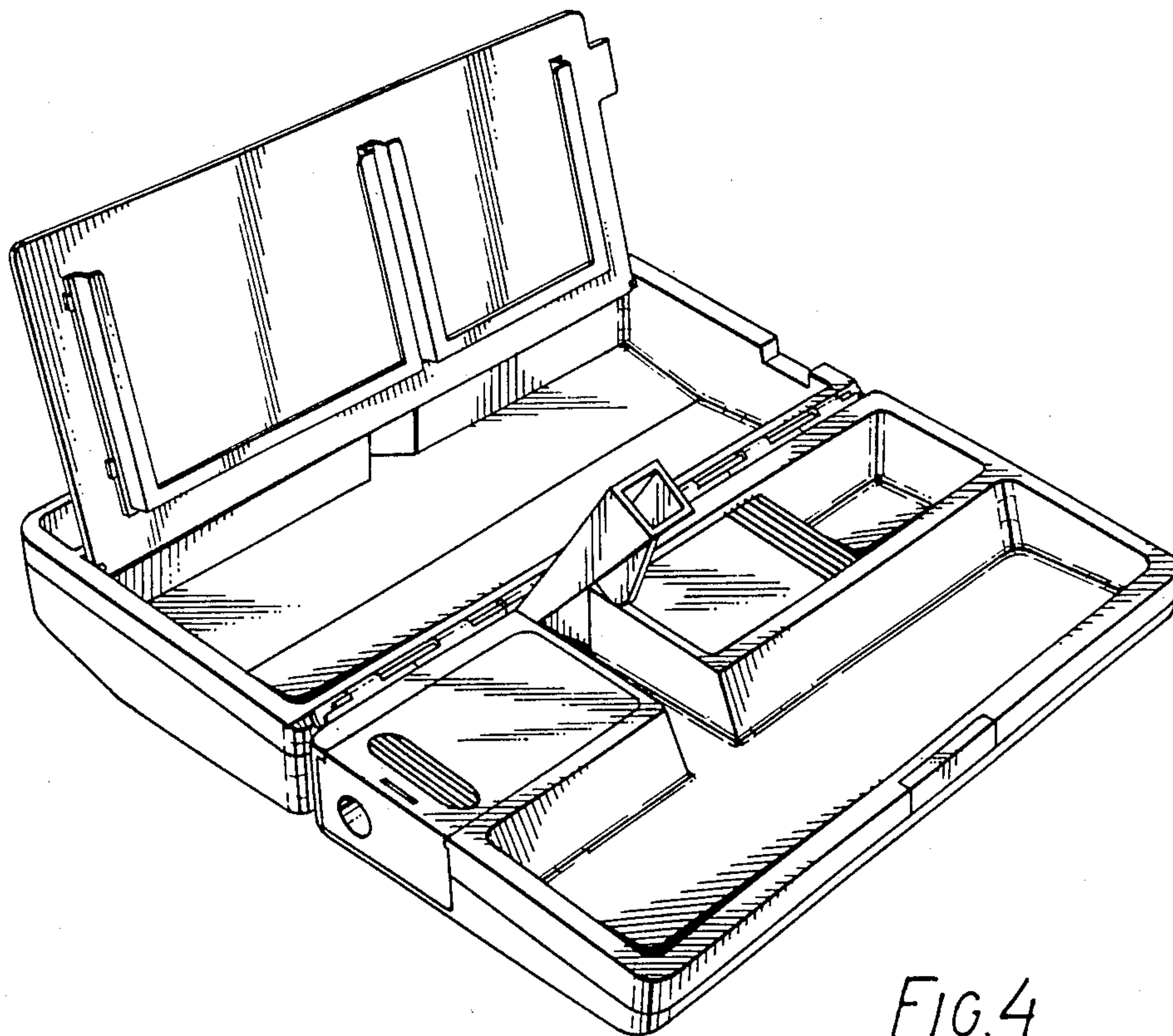


FIG. 4