

[54] ALLOWANCE BANK

D. 276,920 12/1984 Peroni ..... D18/11  
D. 285,859 9/1986 Ooki ..... D99/34  
3,107,467 9/1959 Gates ..... D99/34 X

[76] Inventor: Terry A. Turbeville, 440 S. 5th St.,  
Louisville, Ky. 40202

Primary Examiner—Nelson C. Holtje  
Assistant Examiner—Caron D. Veynar  
Attorney, Agent, or Firm—Charles G. Lamb

[\*\*] Term: 14 Years

[21] Appl. No.: 892,093

[57] CLAIM

[22] Filed: Aug. 1, 1986

The ornamental design for an allowance bank, shown  
and described.

[52] U.S. Cl. .... D99/34

[58] Field of Search ..... D18/2, 6, 7, 11, 12;  
D10/2, 15, 30; D14/100, 106, 107; D99/34-36;  
200/5 A; 235/61 R; 340/365, 700; 364/706-710

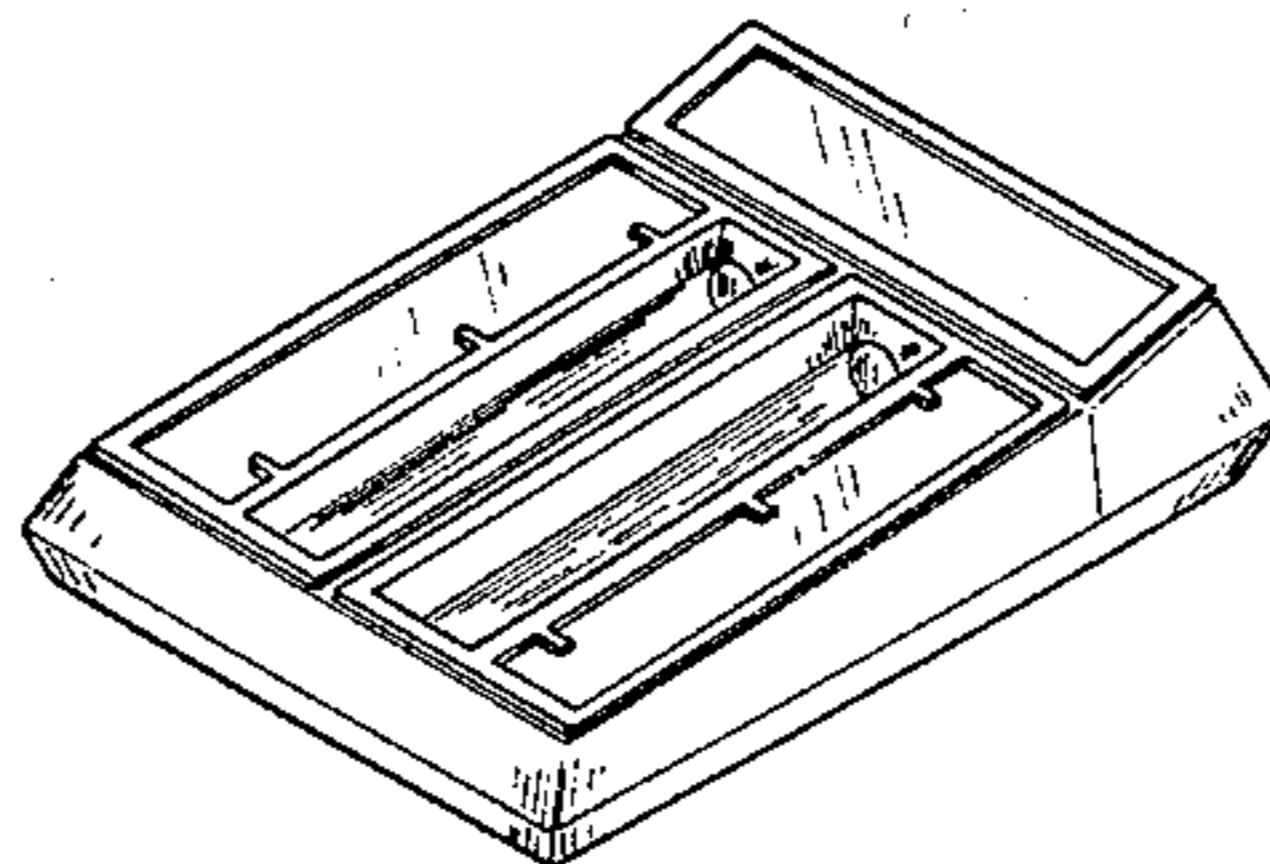
DESCRIPTION

[56] References Cited

FIG. 1 is a perspective view of an allowance bank  
showing my new design;  
FIG. 2 is a right side elevational view thereof, the left  
side elevational view being a mirror image thereof.  
FIG. 3 is a front elevational view thereof;  
FIG. 4 is a rear elevational view thereof; and,  
FIG. 5 is a bottom plan view thereof.

U.S. PATENT DOCUMENTS

D. 227,114 6/1973 Inatomi ..... D14/106  
D. 244,036 4/1977 Tyrrell ..... D18/6  
D. 249,388 9/1978 Sulek ..... D18/7



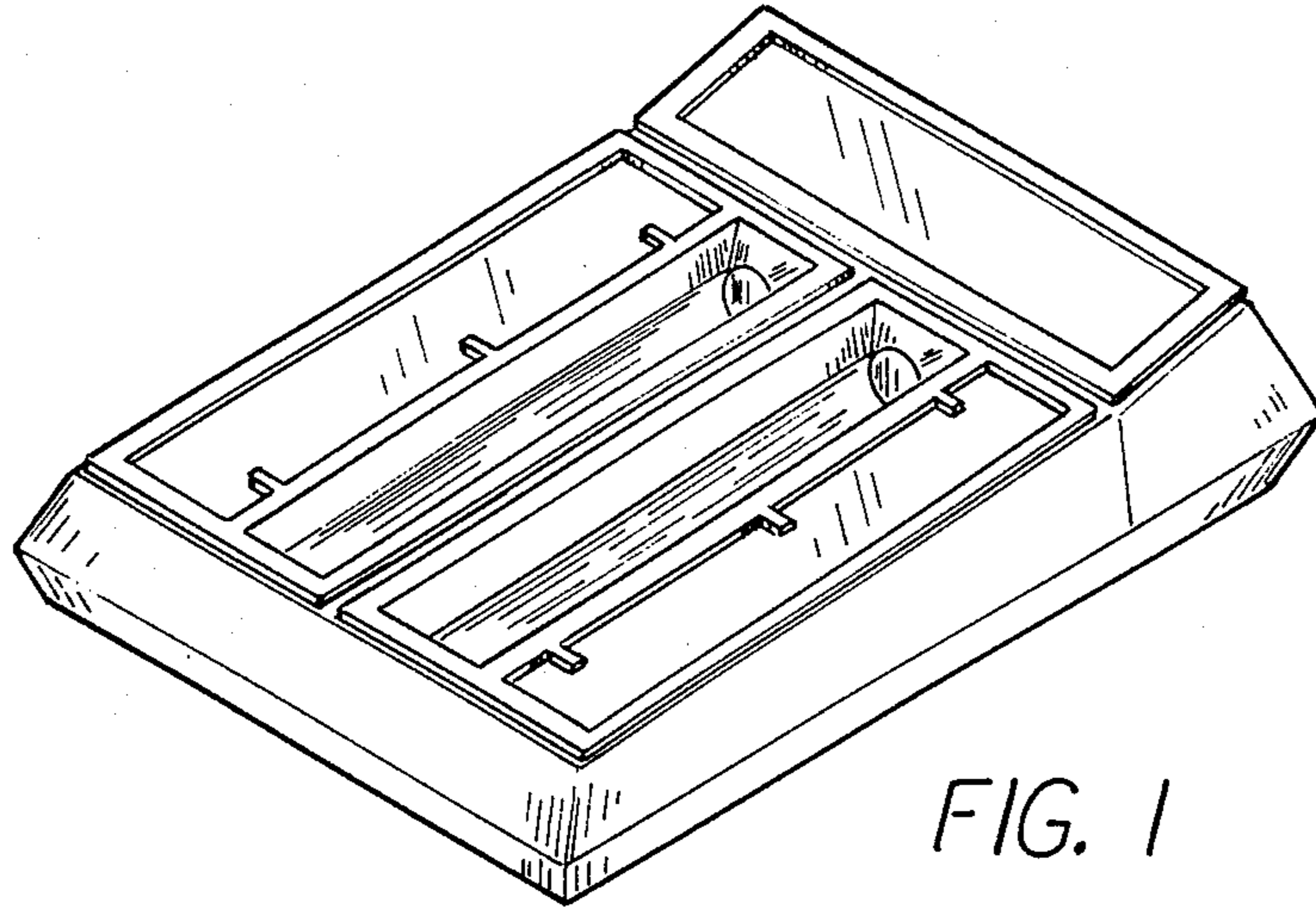


FIG. 1

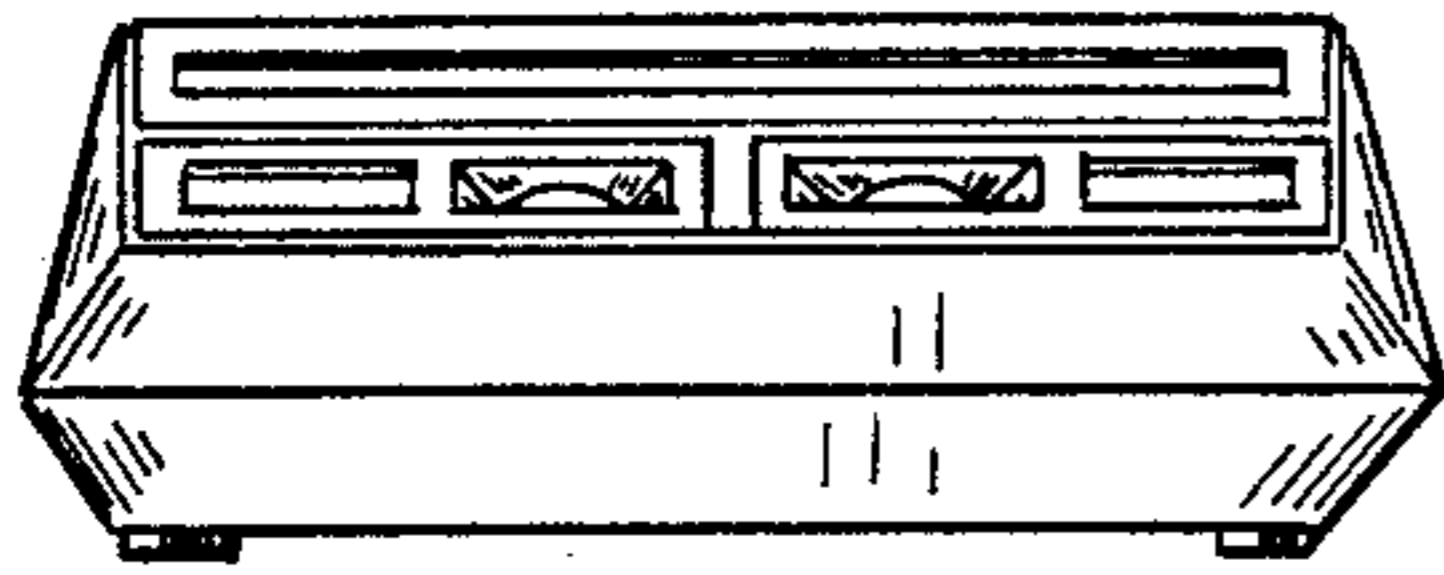


FIG. 3

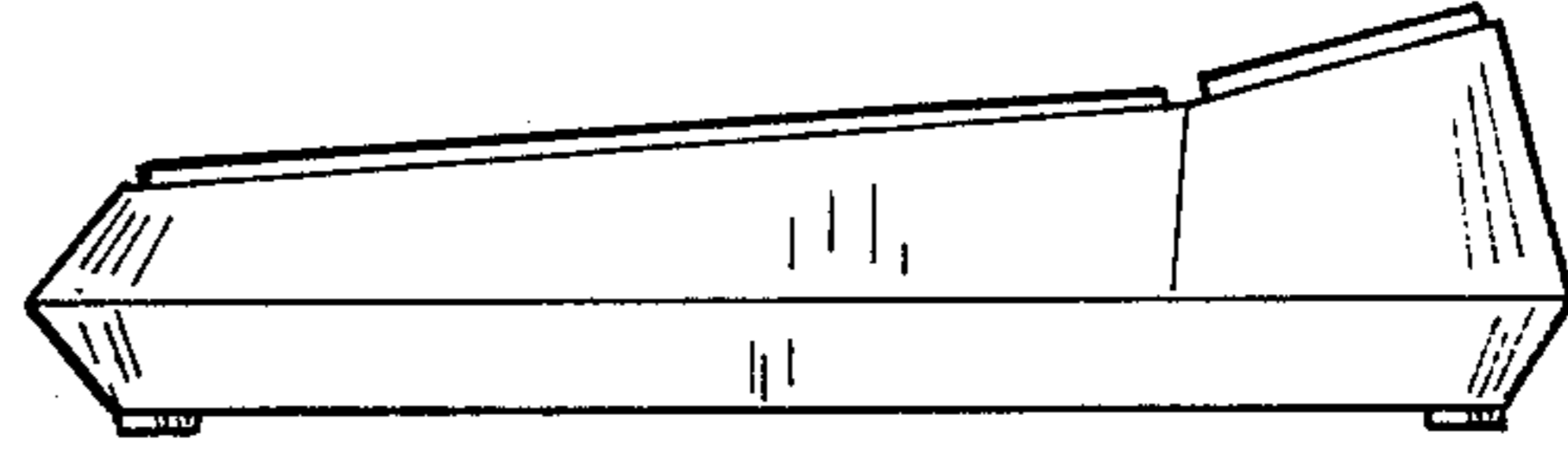


FIG. 2

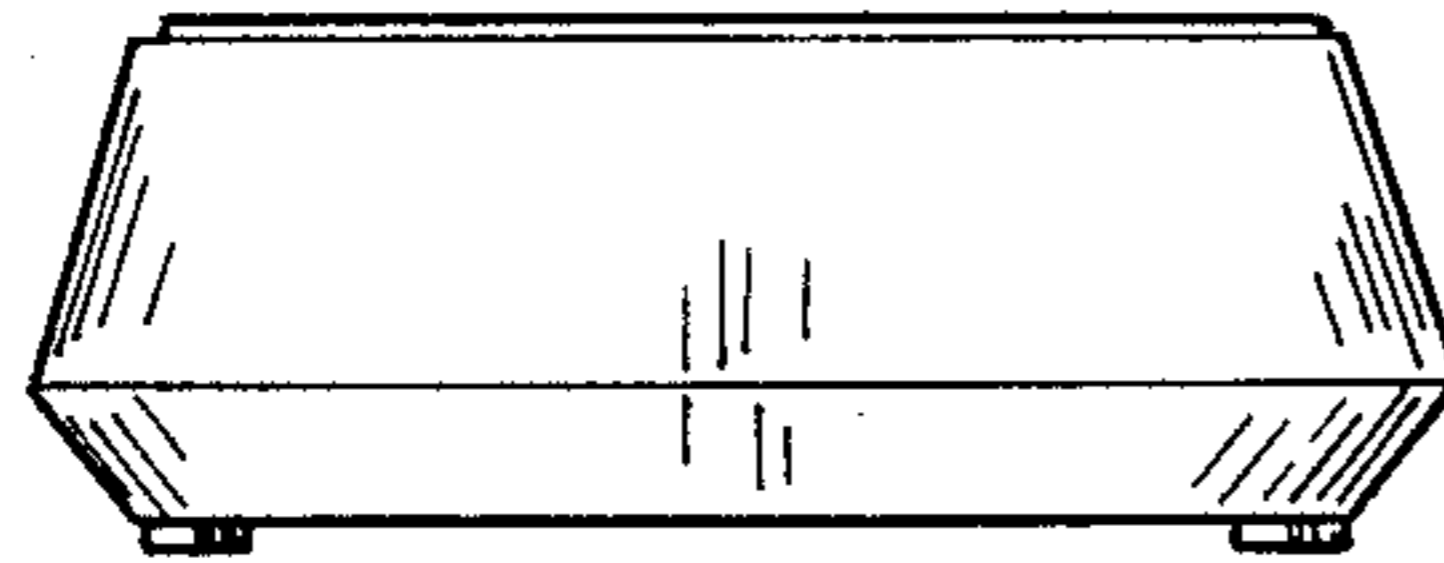


FIG. 4

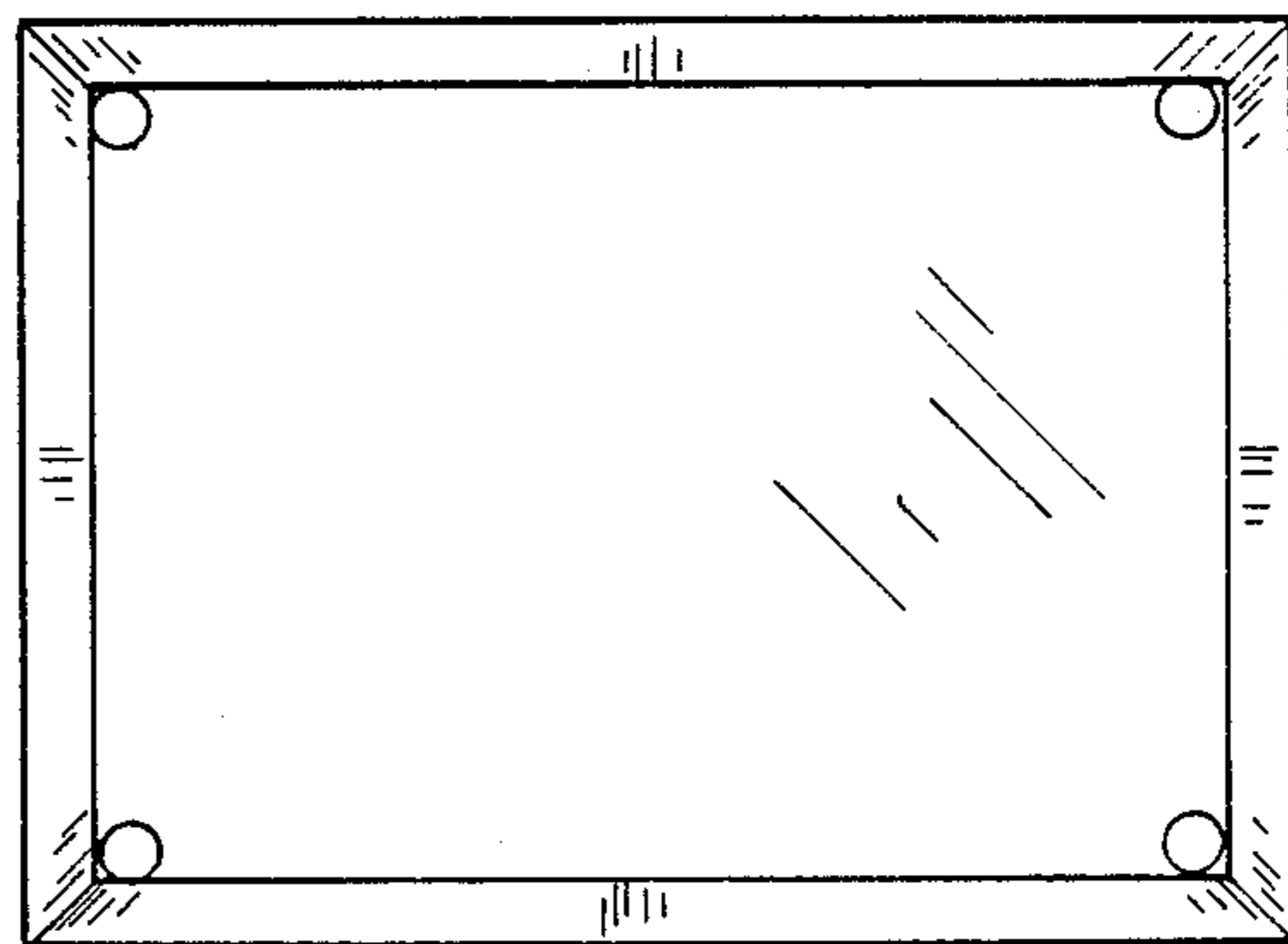


FIG. 5