

United States Patent [19]

Hoffman et al.

[11] Patent Number: Des. 306,228

[45] Date of Patent: ** Feb. 20, 1990

[54] ILLUMINATED MAILBOX OR SIMILAR ARTICLE

4,089,460 5/1978 Mellard 232/34
4,416,414 11/1983 Edgerton 231/1 C X

[76] Inventors: Paul J. Hoffman; Milton J. Fischer,
both of P.O. Box 2501, Appleton,
Wis. 54913

Primary Examiner—Winifred E. Herrmann
Assistant Examiner—John Warchol
Attorney, Agent, or Firm—Robert M. Phipps

[**] Term: 14 Years

[57] CLAIM

[21] Appl. No.: 30,211

The ornamental design for an illuminated mailbox or similar article, as shown and described.

[22] Filed: Mar. 25, 1987

[52] U.S. Cl. D99/31; D99/29

[58] Field of Search D99/29-33;
232/17, 24-31, 33, 34, 35, 37, 38, 39, 1 C

DESCRIPTION

[56] References Cited

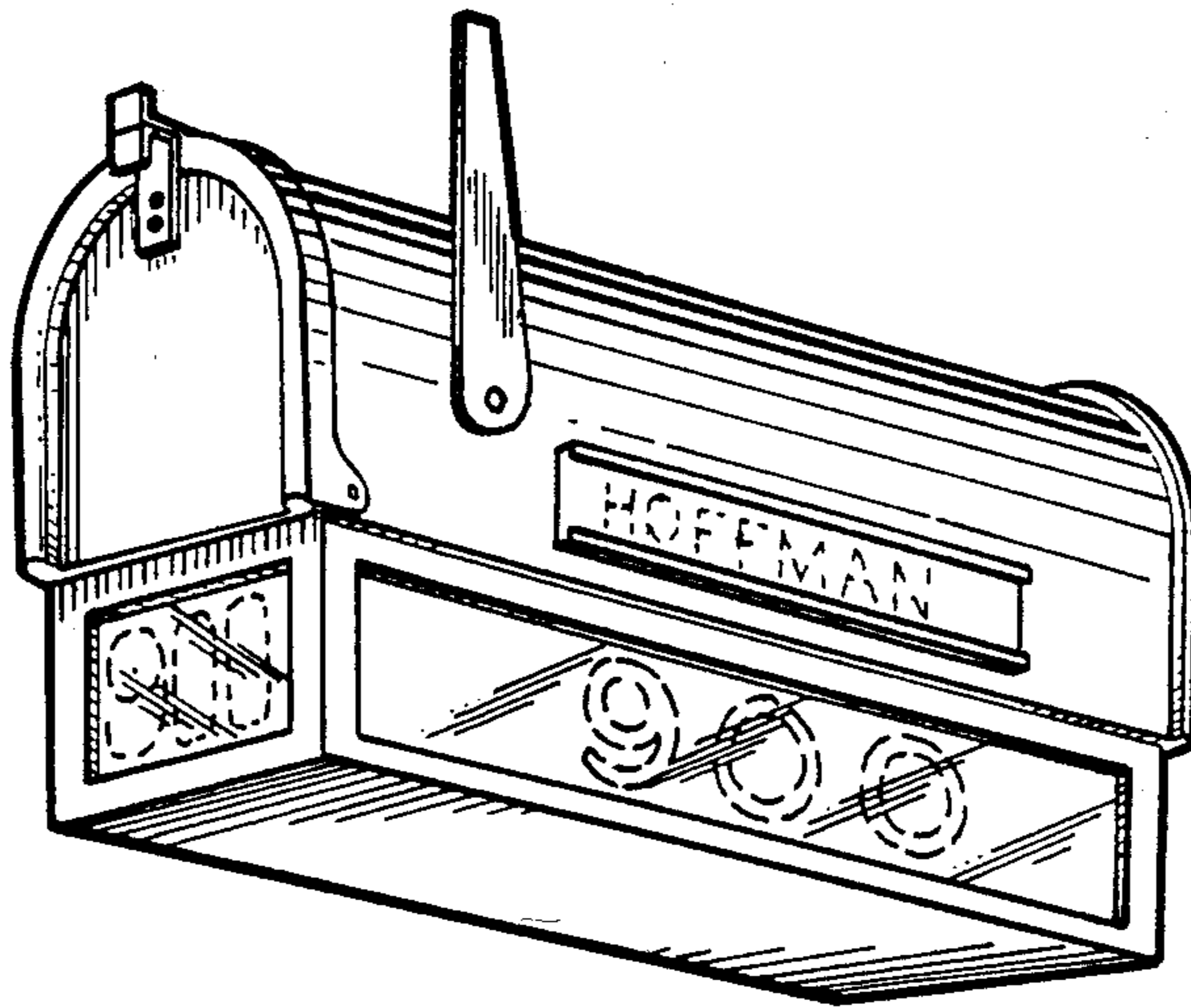
U.S. PATENT DOCUMENTS

D. 185,523 6/1959 Wright D99/31
1,542,217 6/1925 Cole 232/34
3,275,229 9/1966 Turner 232/34

FIG. 1 is a bottom, front and right side perspective view of an illuminated mailbox or similar article showing our new design; and

FIG. 2 is a top, rear and left side perspective view thereof.

The broken line showing of the wording and numerals is for environmental purposes only and forms no part of the claimed design.



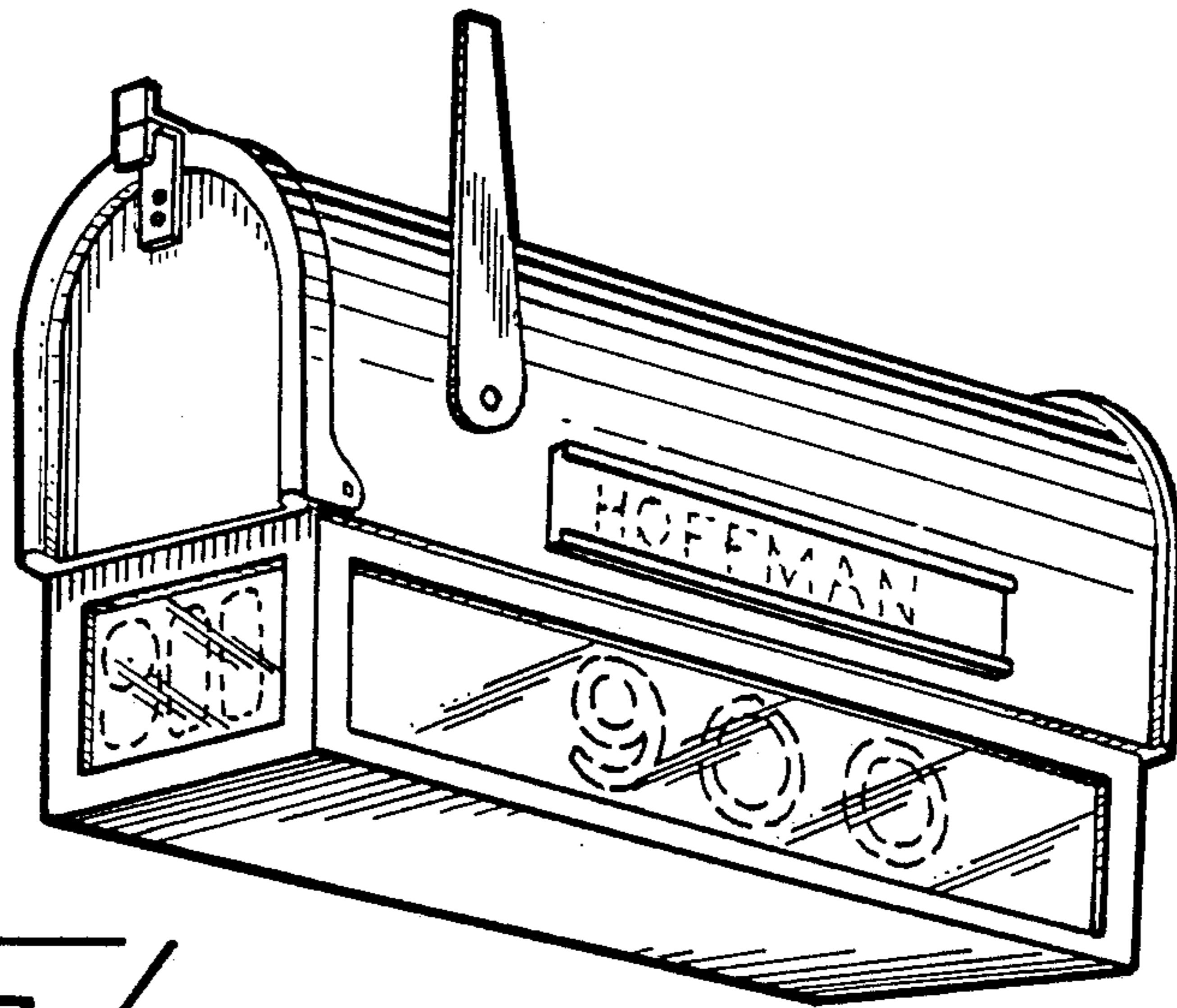


Fig. 1

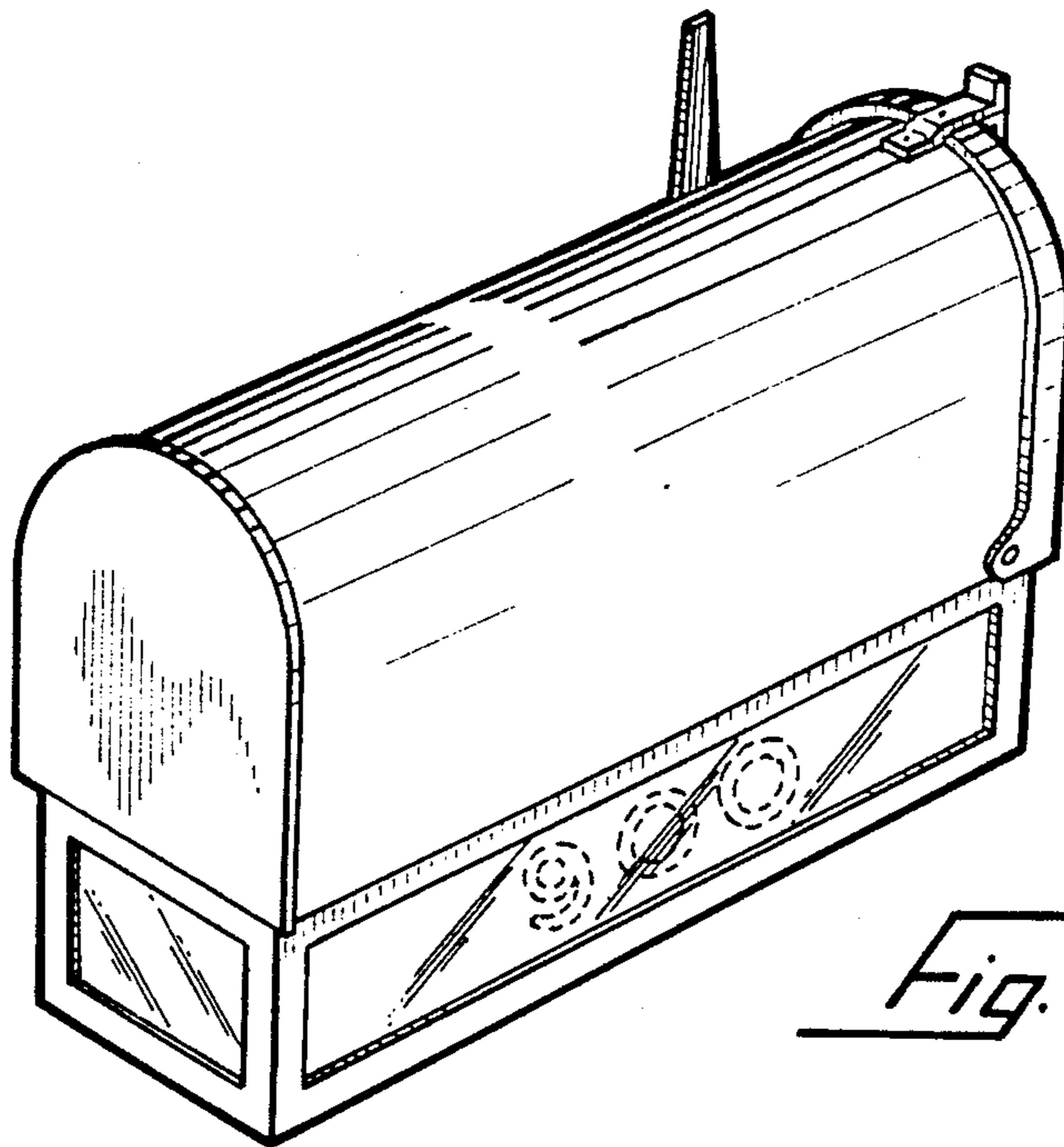


Fig. 2