

[54] PALLET

4,292,899 10/1981 Steffen 108/51.1

[75] Inventor: Robert E. Jirucha, Weston, Conn.

FOREIGN PATENT DOCUMENTS

[73] Assignee: Champion International Corporation, Stamford, Conn.

2413279 7/1979 France 108/52.1
579861 7/1958 Italy 108/51 R

[**] Term: 14 Years

Primary Examiner—Wallace R. Burke
Assistant Examiner—Kay H. Chin
Attorney, Agent, or Firm—Evelyn M. Sommer

[21] Appl. No.: 664,147

[57] CLAIM

[22] Filed: Oct. 24, 1984

The ornamental design for a plate-like pallet, as shown and described.

[52] U.S. Cl. D34/38

[58] Field of Search D34/38; 108/51.1, 52.1, 108/53.1, 55.3, 57.1; D6/508

DESCRIPTION

[56] References Cited

U.S. PATENT DOCUMENTS

FIG. 1 is a perspective view of a pallet showing my new design;

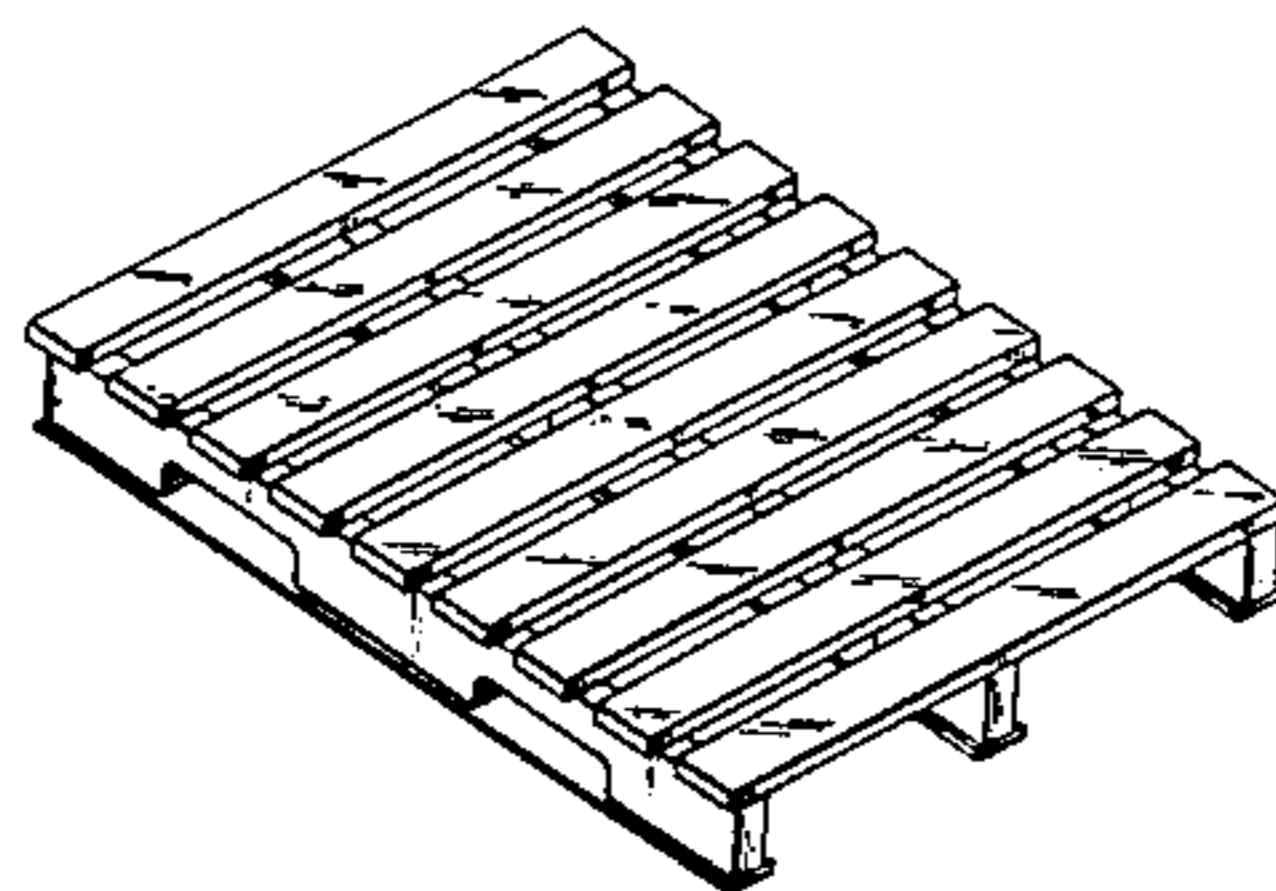
FIG. 2 is a top plan view thereof;

FIG. 3 is a bottom plan view thereof;

FIG. 4 is a side elevation view thereof, the opposite side being a mirror image of that shown;

FIG. 5 is an end elevation view thereof, the opposite end being a mirror image of that shown.

D. 256,904	9/1980	Persson	D34/38
2,371,106	3/1945	Lewis et al.	D34/38
3,474,744	10/1969	Montgomery	108/51.1
3,531,855	10/1970	Spring, Jr.	108/51.1
4,165,806	8/1979	Cayton	108/53.1



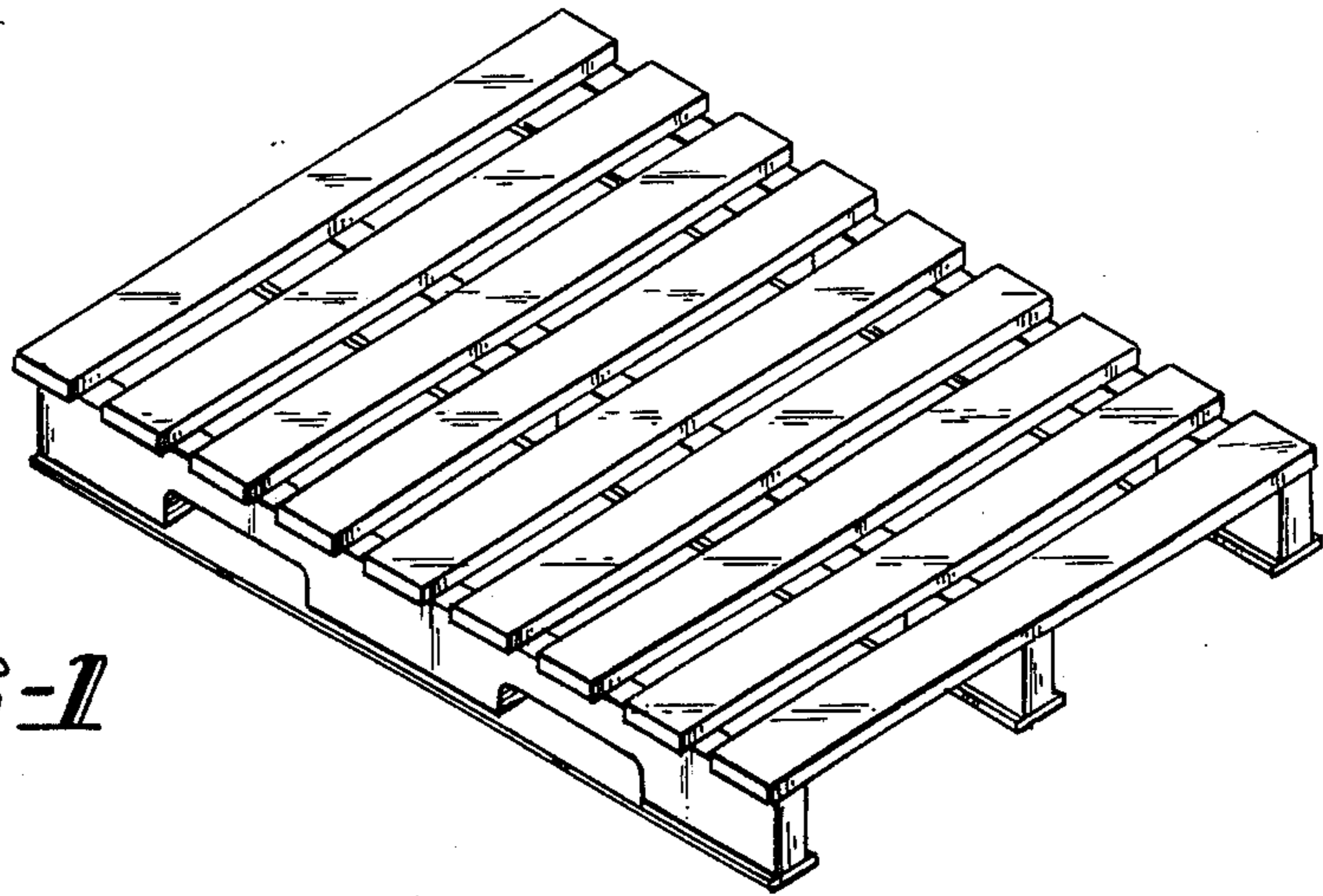


FIG-1

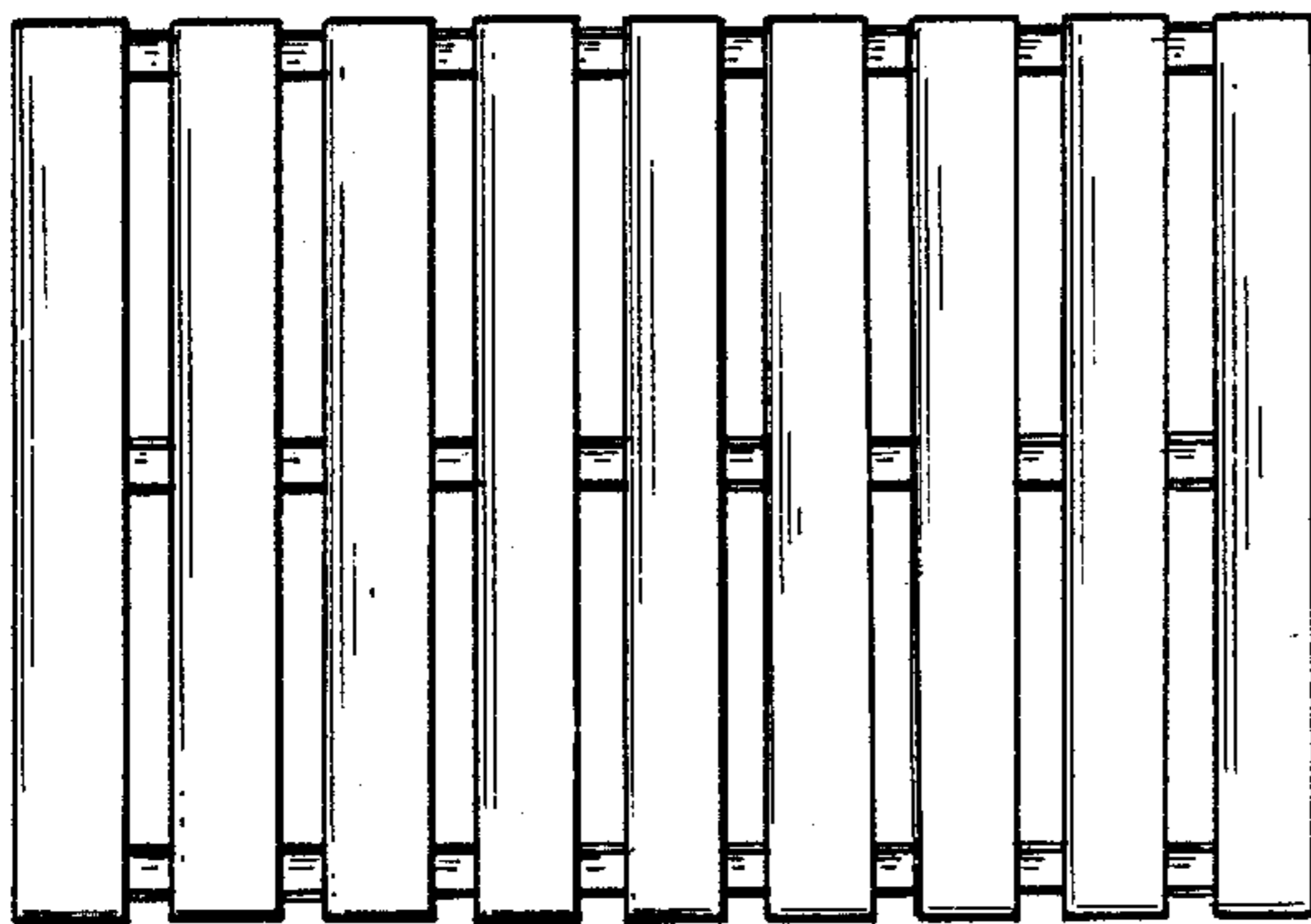


FIG-2



FIG-4



FIG-3

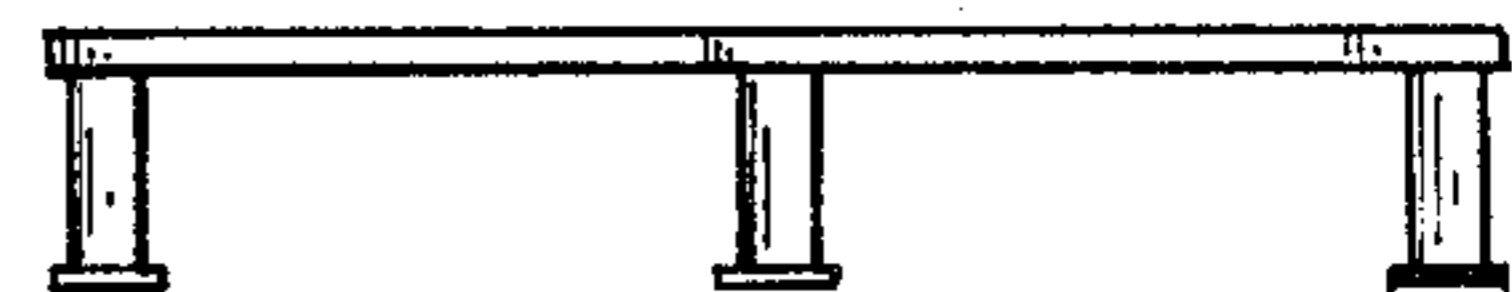


FIG-5