

[54] PORTABLE PARTS WASHER

[75] Inventors: Charles R. Muirhead, Pasadena; Chris Sutherland, Carpinteria, both of Calif.

[73] Assignee: Seaclyff International, Inc., South El Monte, Calif.

[**] Term: 14 Years

[21] Appl. No.: 48,653

[22] Filed: May 11, 1987

[52] U.S. Cl. D32/1

[58] Field of Search D32/1-2, D32/29; 134/102, 109, 111, 135, 169 A, 172, 174, 198, 200; 239/302, 308

[56] References Cited

U.S. PATENT DOCUMENTS

D. 232,322	8/1974	Lee	D32/1
D. 237,404	10/1975	Trapold	D32/29
4,051,858	10/1977	Mele	134/111
4,630,625	12/1986	Capella et al.	134/111
4,637,413	1/1987	Llewellyn et al.	134/111

OTHER PUBLICATIONS

Seaclyff Industries, Inc.-"Owner's Manual" for Portable Parts Washer-undated.

Seaclyff International, Inc. literature on Portable Parts Washer-undated.

Seaclyff International, Inc. literature on Portable Parts Washer-undated (current literature).

Safety-Kleen Corp. literature on "Bench Model Parts Washer"; ©1984.

Primary Examiner—Bruce W. Dunkins

Assistant Examiner—Ruth Takemoto

Attorney, Agent, or Firm—Edward J. DaRin

[57] CLAIM

The ornamental design for a portable parts washer, as shown.

DESCRIPTION

FIG. 1 is a top, front and right side perspective view of a portable parts washer in an open position showing our new design;

FIG. 2 is a top plan view thereof;

FIG. 3 is a front elevational view thereof;

FIG. 4 is a rear elevational view thereof;

FIG. 5 is a left side elevational view thereof;

FIG. 6 is a bottom plan view thereof;

FIG. 7 is a right side elevational view thereof;

FIG. 8 is a partial cross-sectional view, taken along the line 8—8 of FIG. 5; and

FIG. 9 is a top, front and right side perspective view thereof in a closed position.

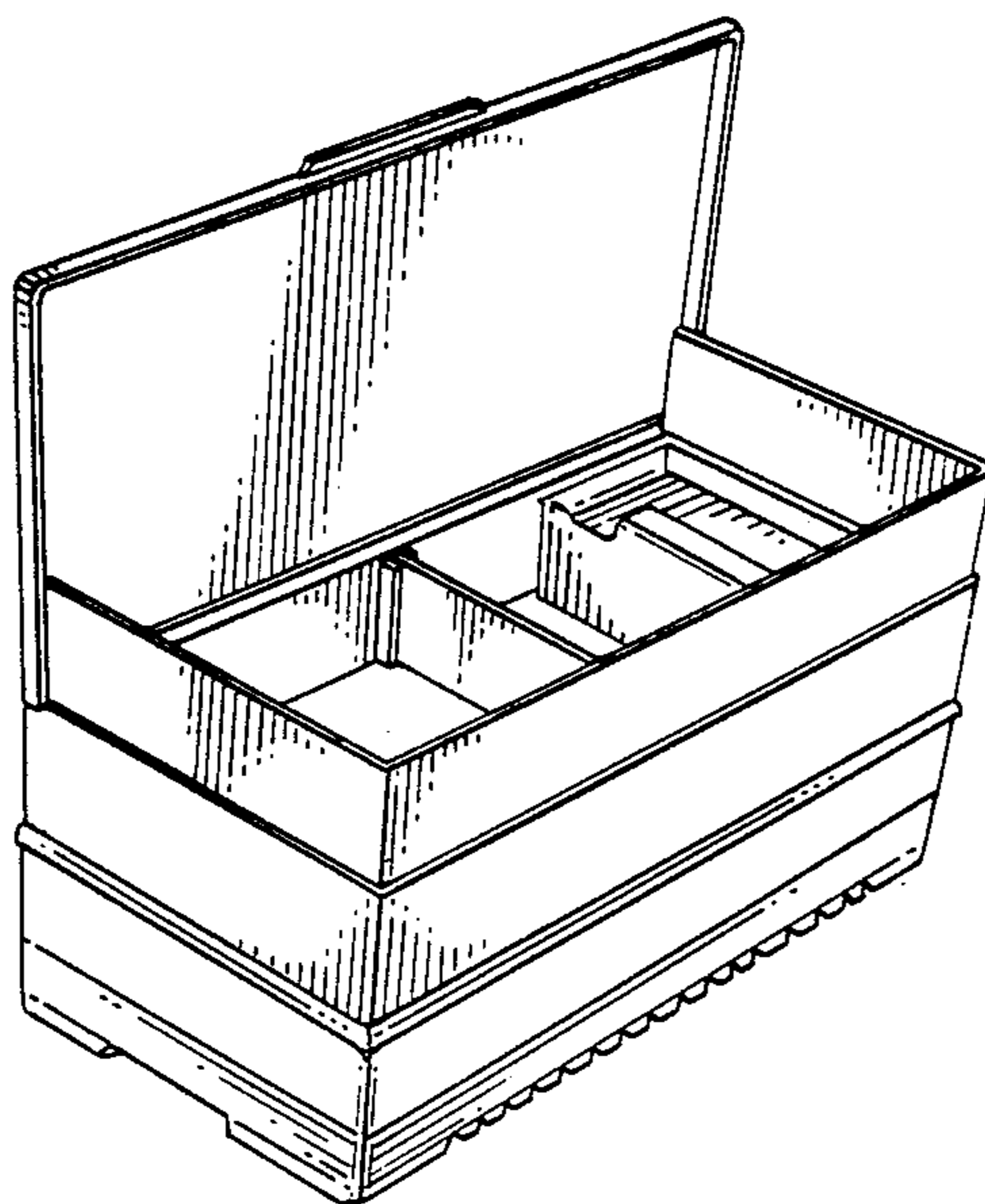


FIG. 1.

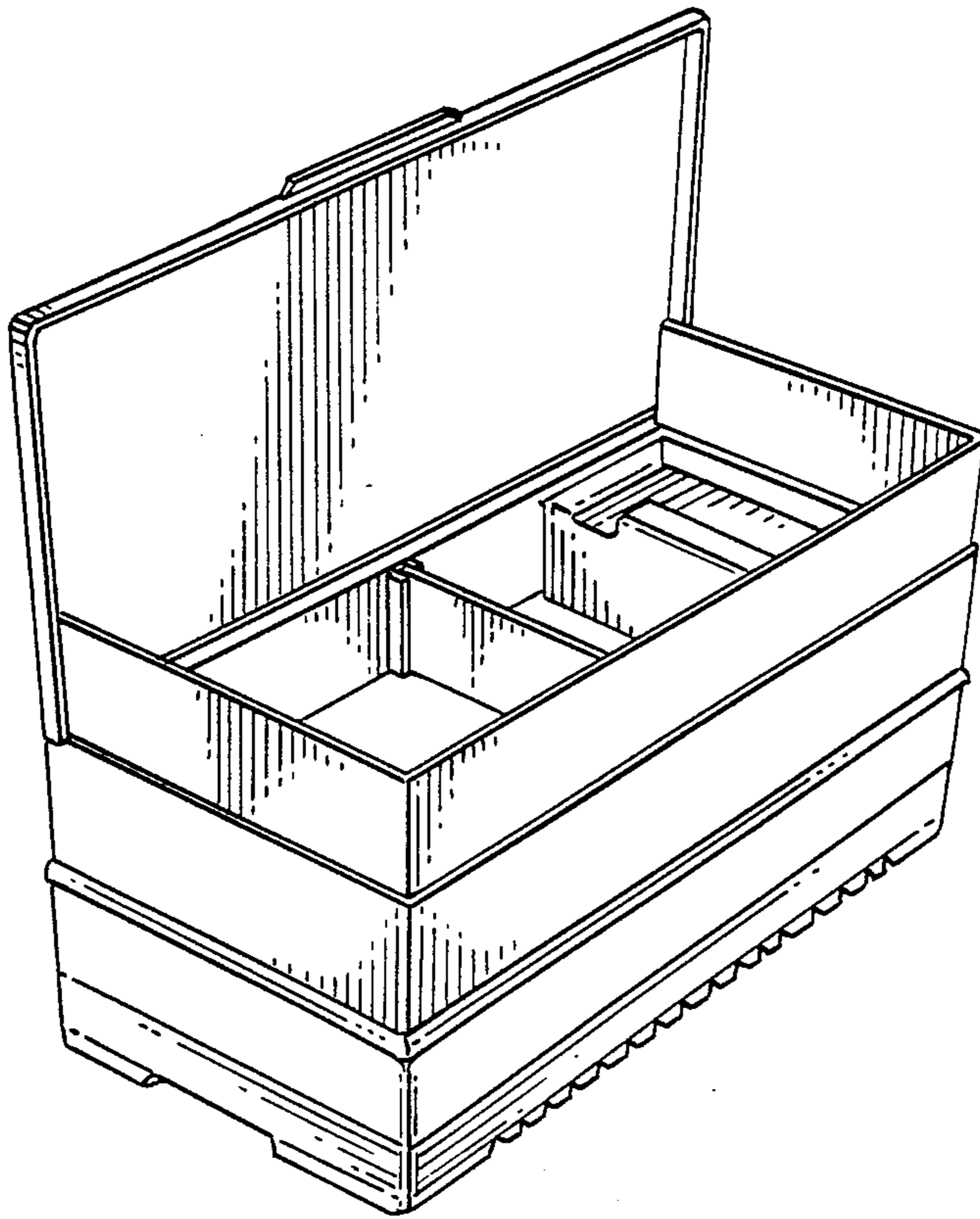


FIG. 2.

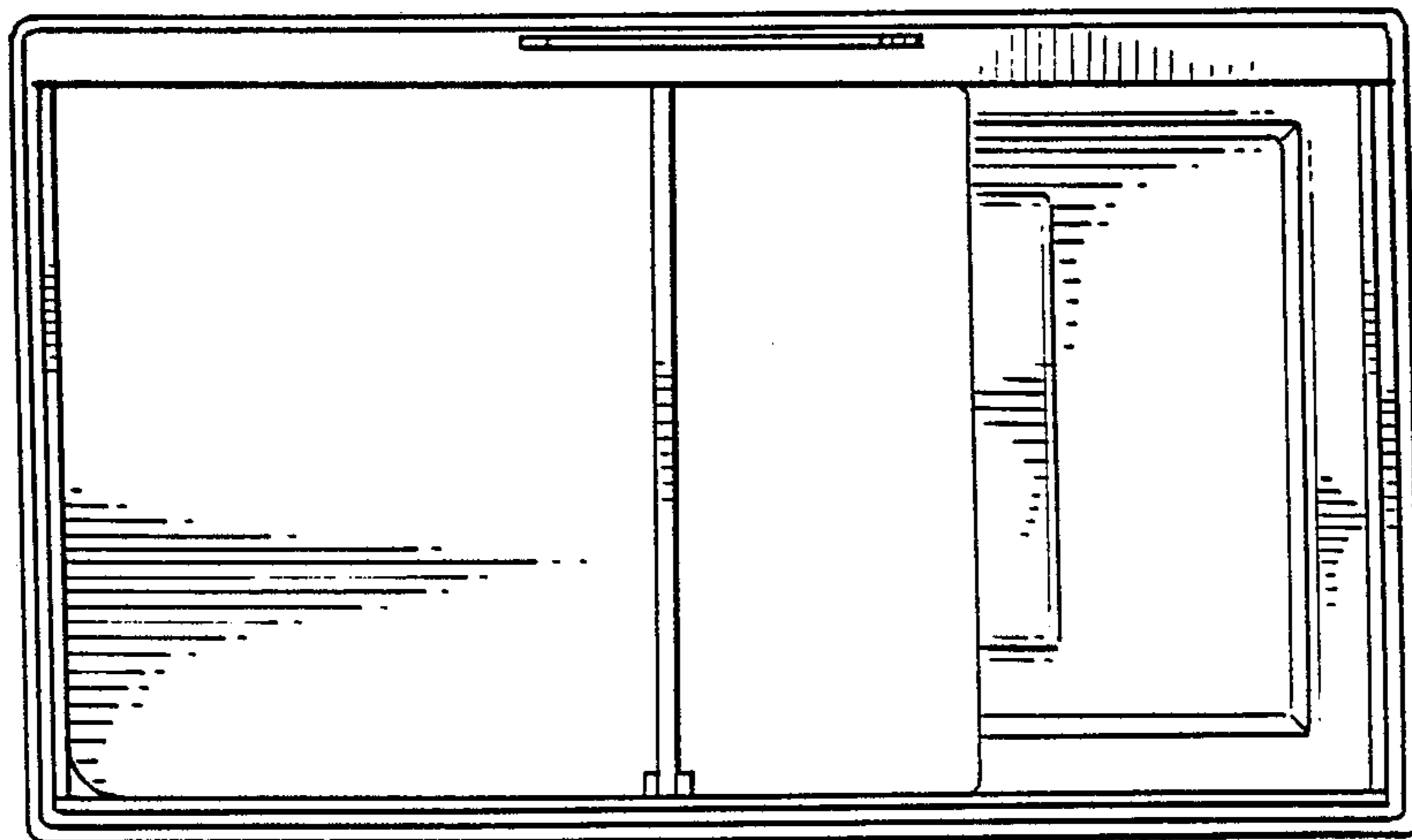


FIG. 3.

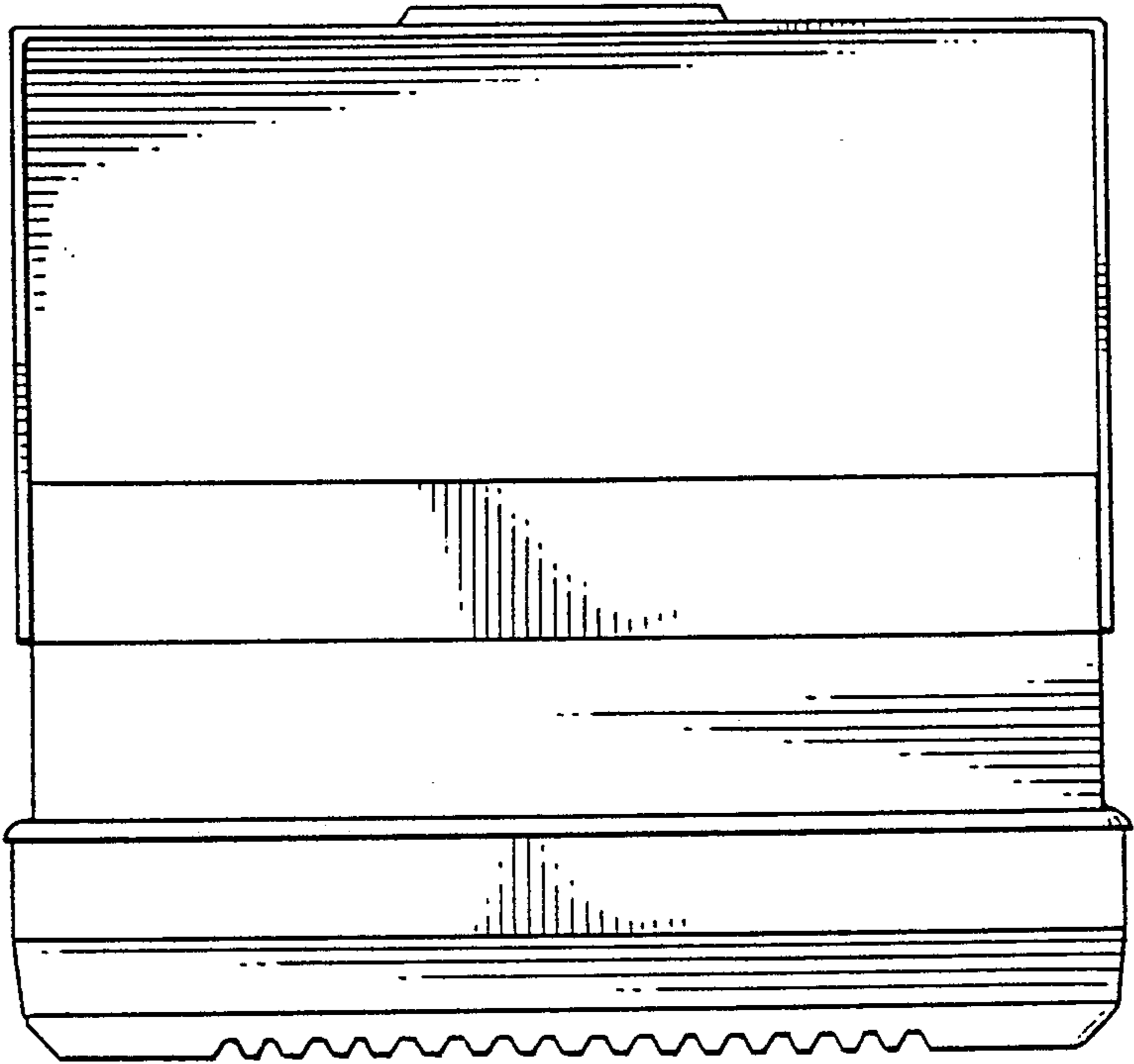


FIG. 4.

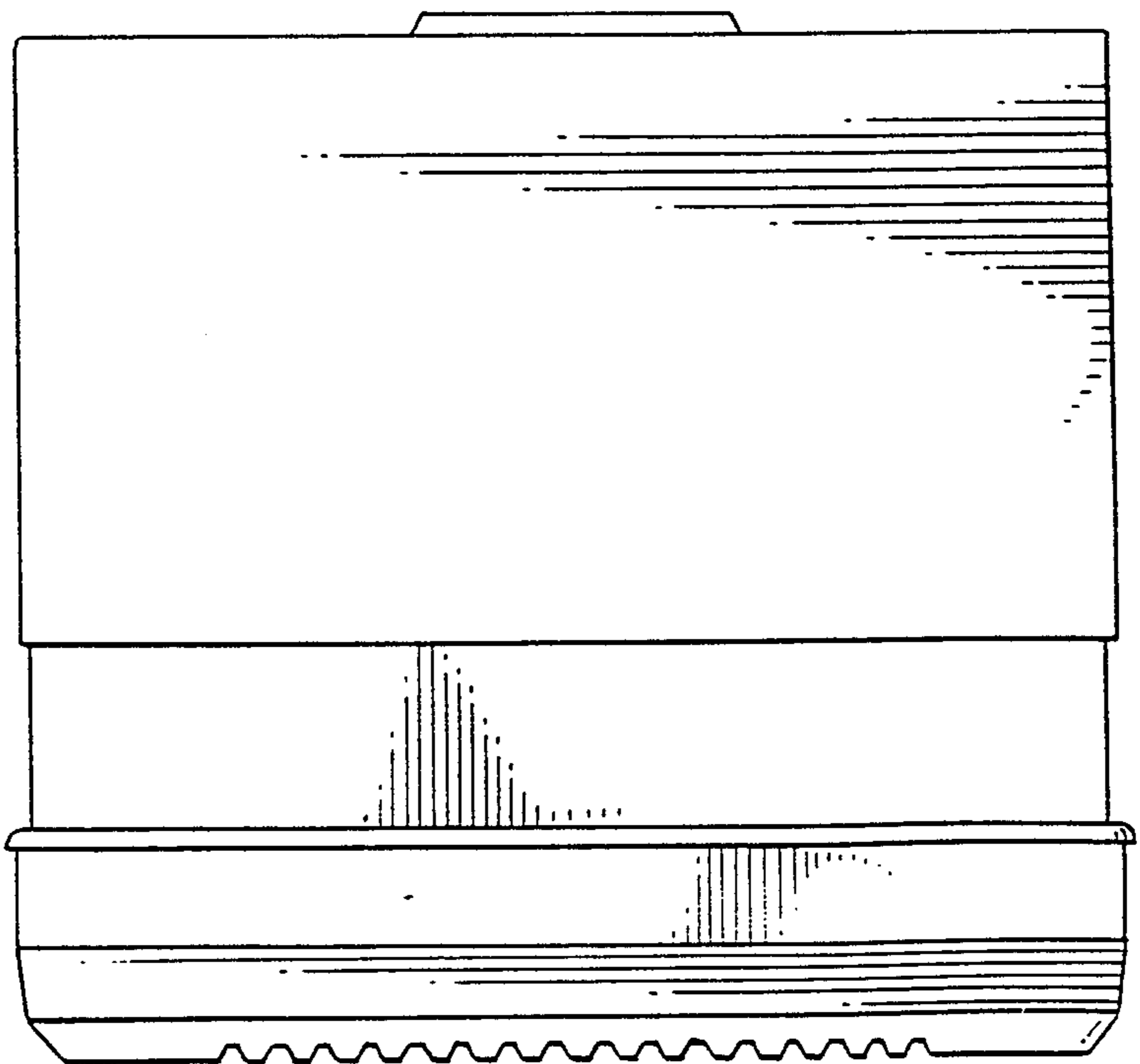


FIG. 5.

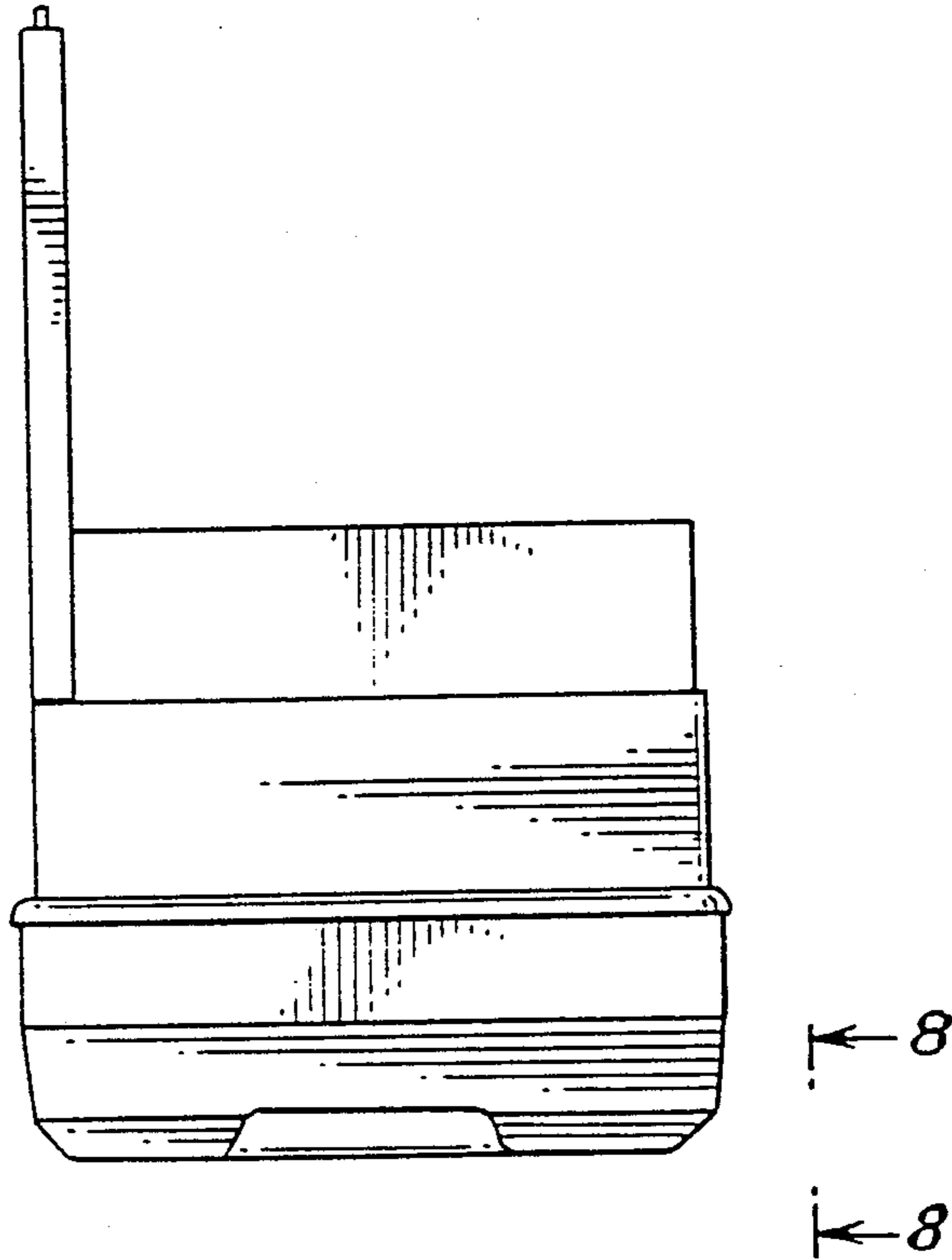


FIG. 6.

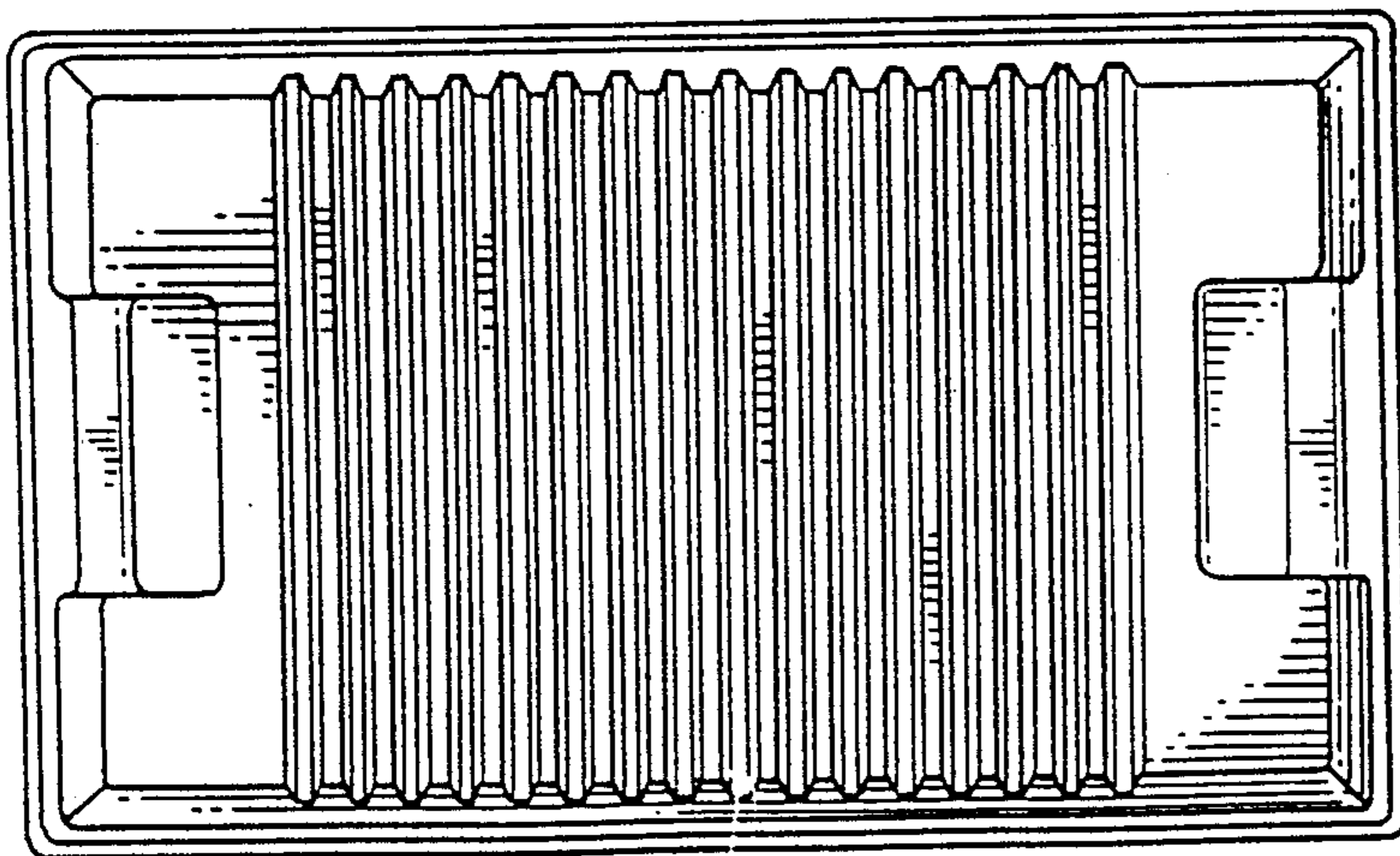


FIG. 7.

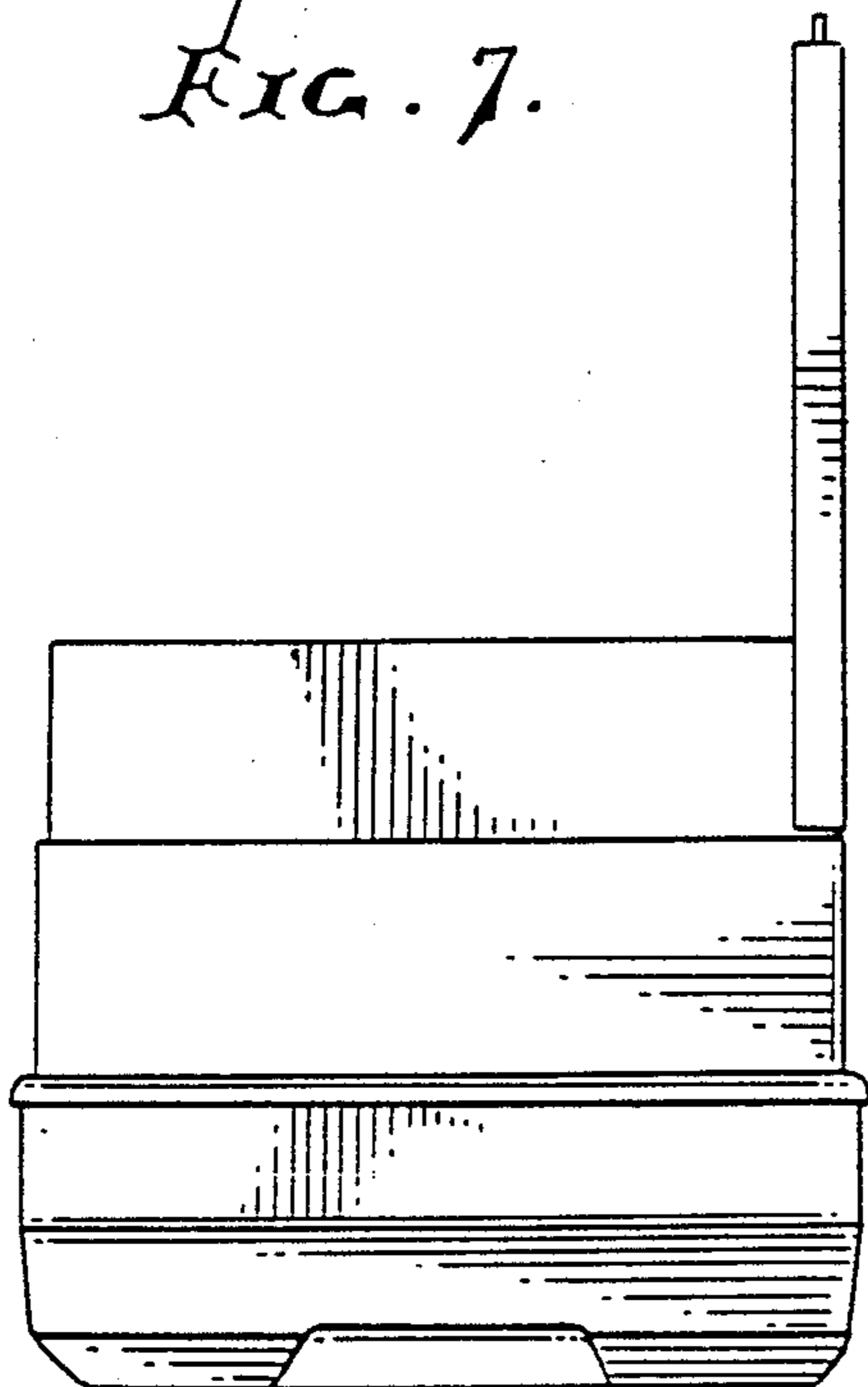


FIG. 8.

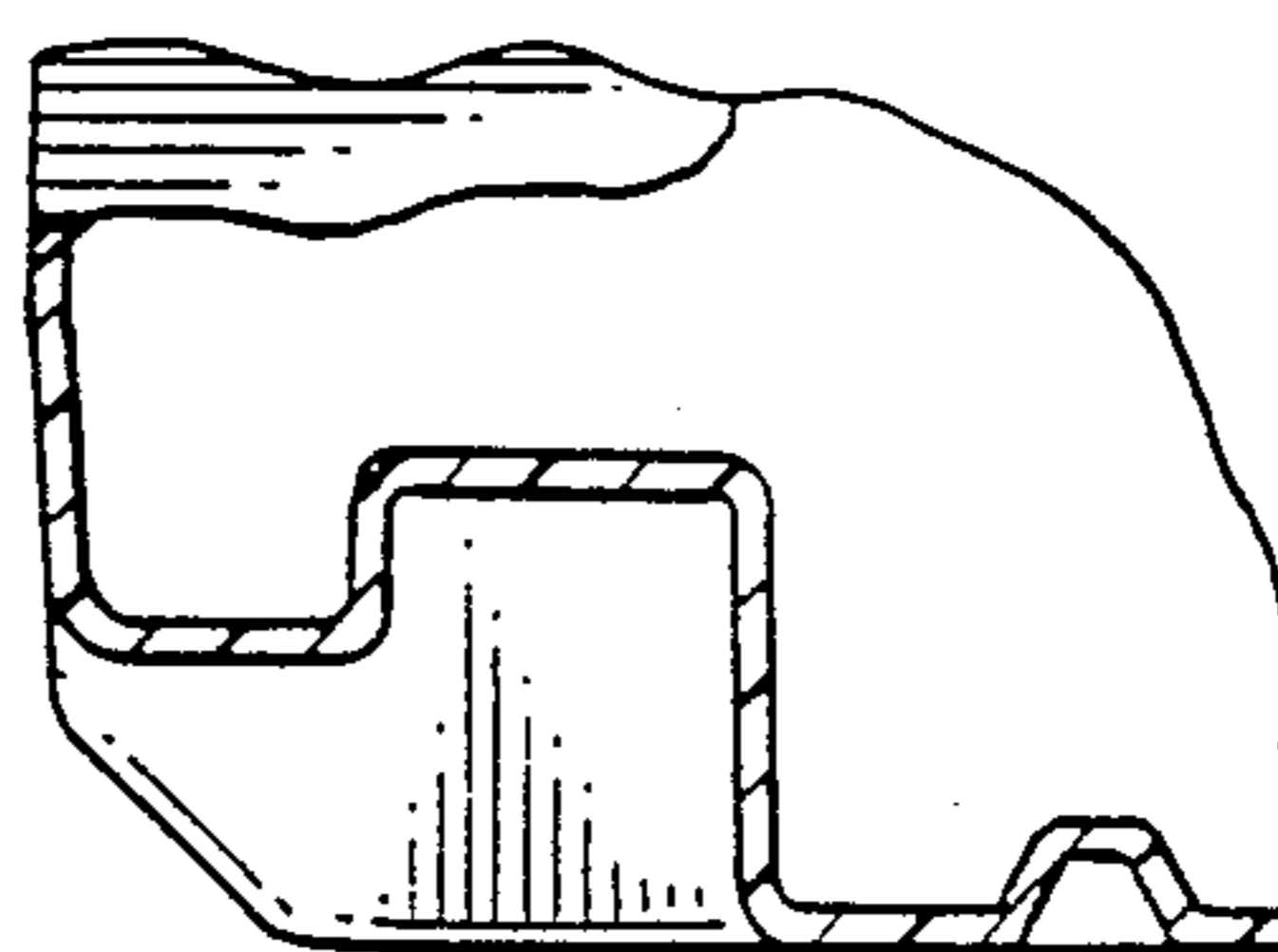
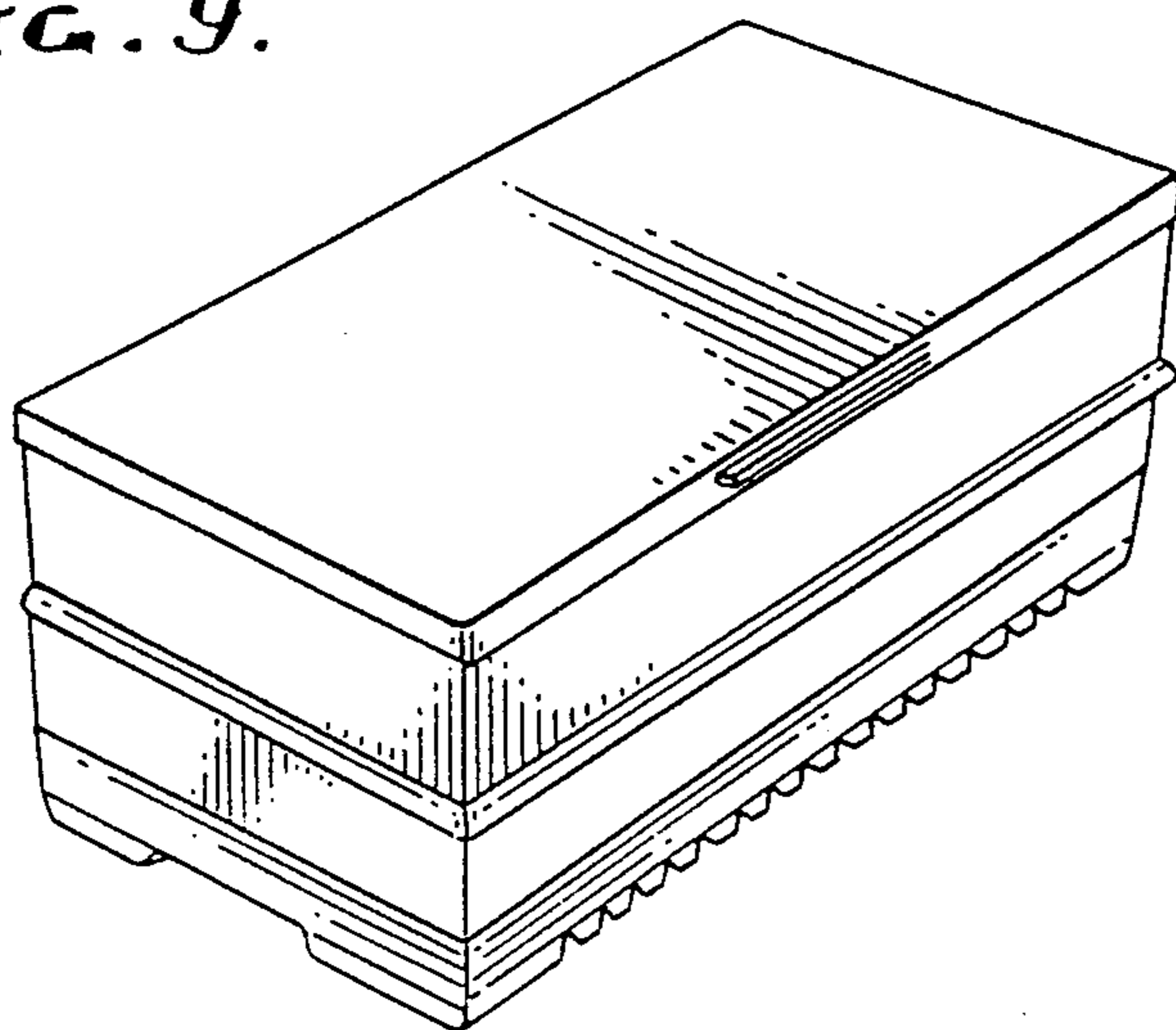


FIG. 9.



UNITED STATES PATENT AND TRADEMARK OFFICE
CERTIFICATE OF CORRECTION

PATENT NO. : Des. 306,223

Page 1 of 4

DATED : February 20, 1990

INVENTOR(S) : Muirhead et al

It is certified that error appears in the above-identified patent and that said Letters Patent is hereby corrected as shown below:

The sheets of Drawing consisting of Figures 3-9 should be added as per attached sheets.

**Signed and Sealed this
Twelfth Day of June, 1990**

Attest:

HARRY F. MANBECK, JR.

Attesting Officer

Commissioner of Patents and Trademarks

FIG. 3.

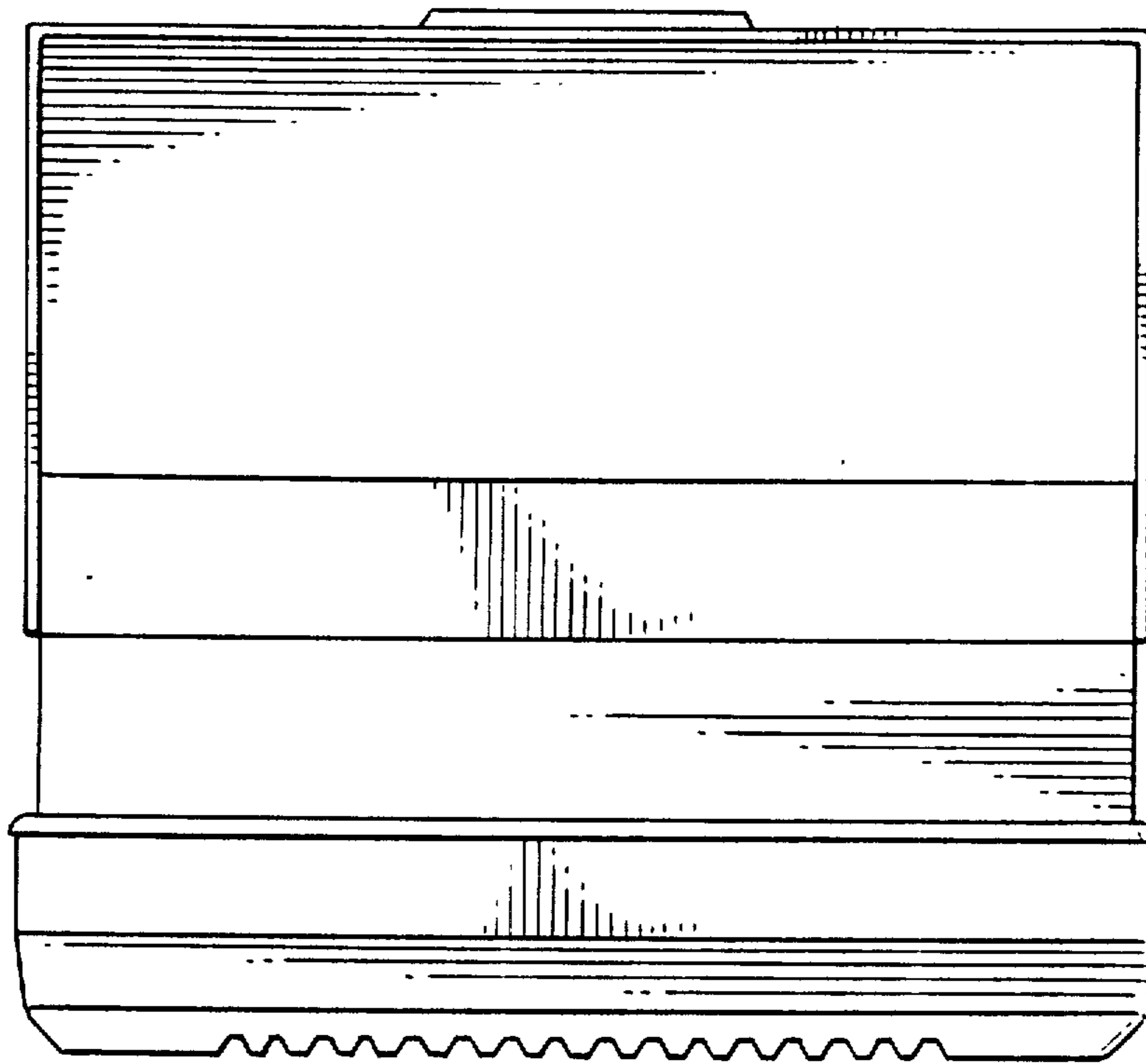


FIG. 4.

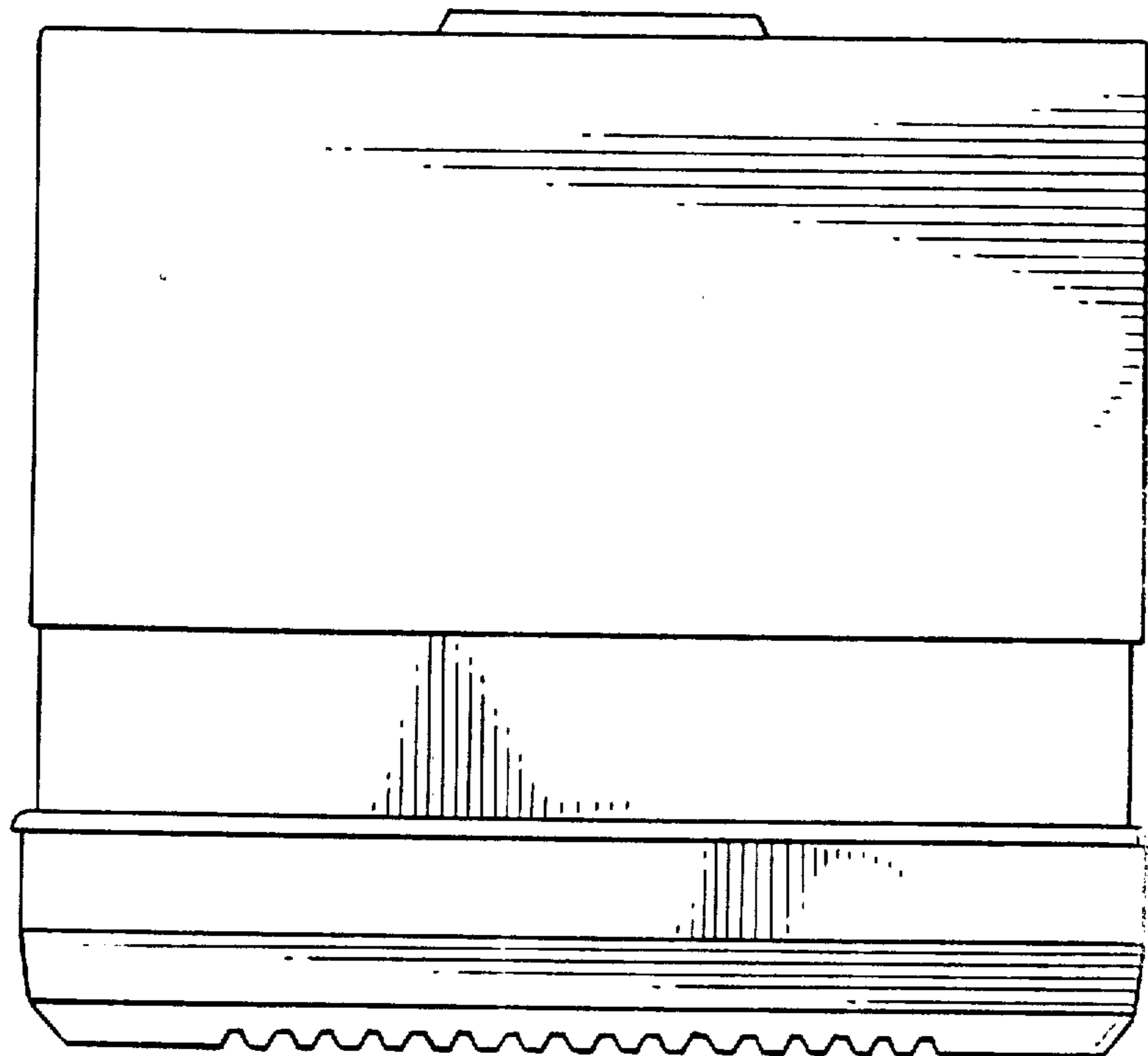


FIG. 5.

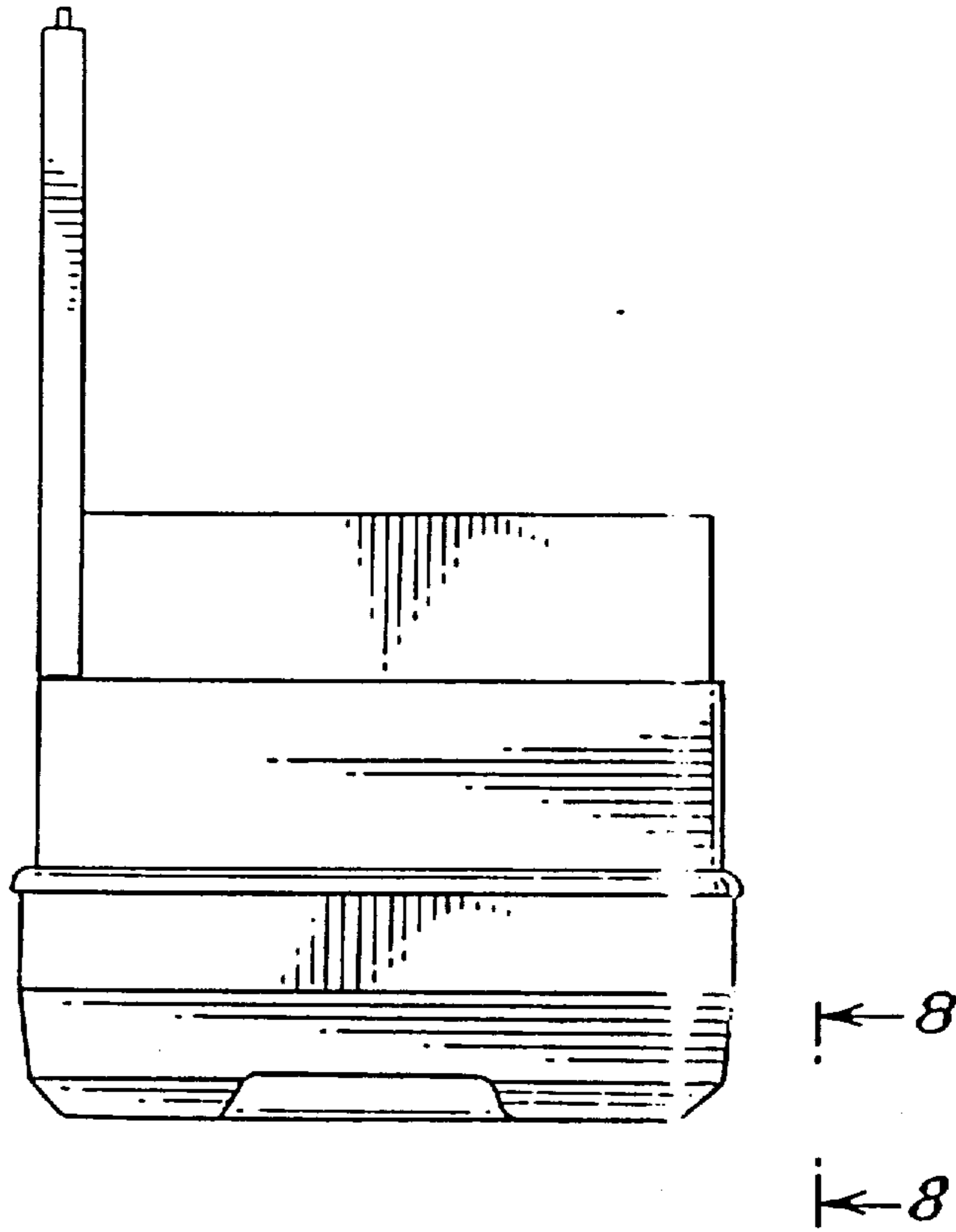


FIG. 6.

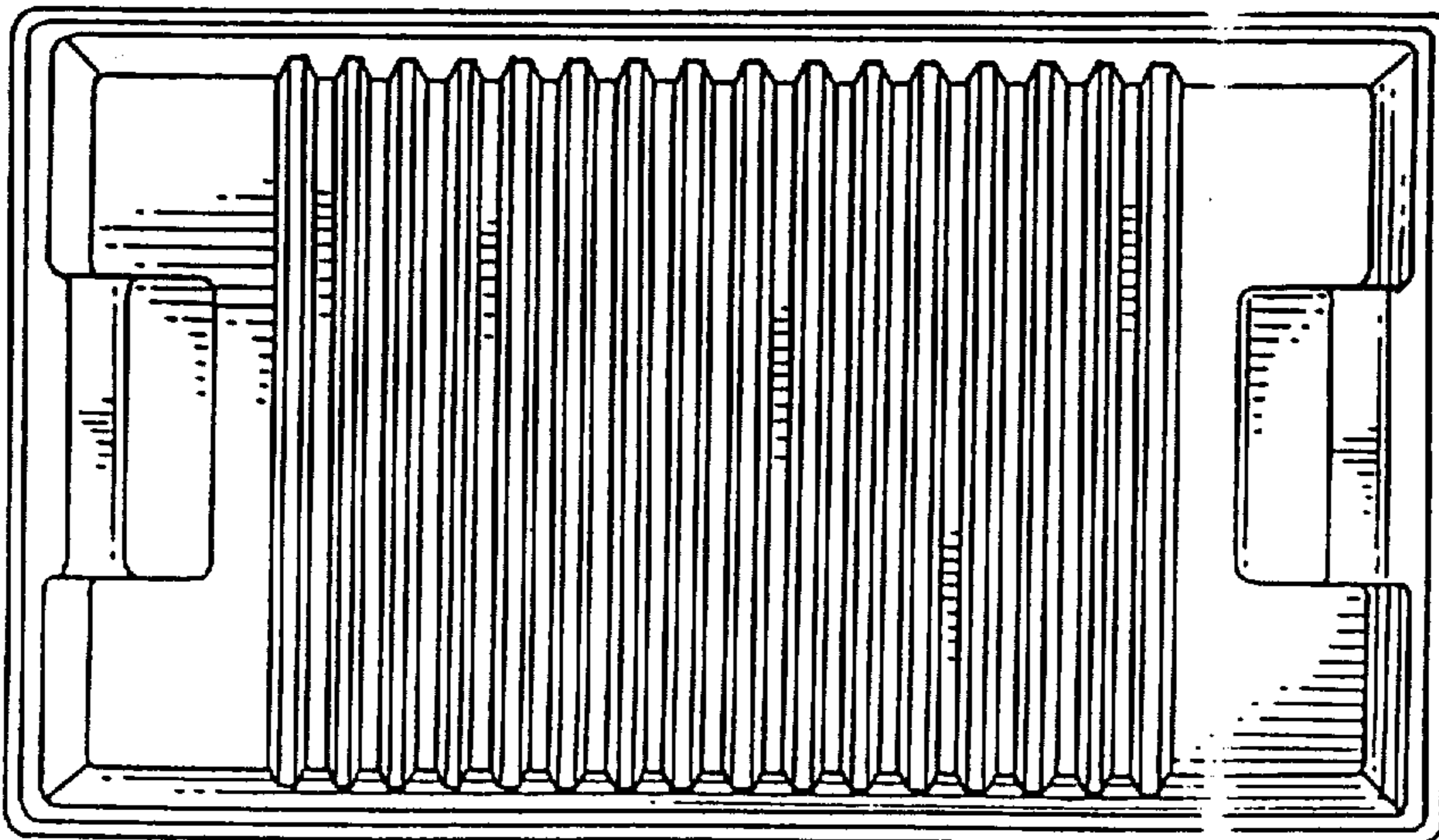


FIG. 7.

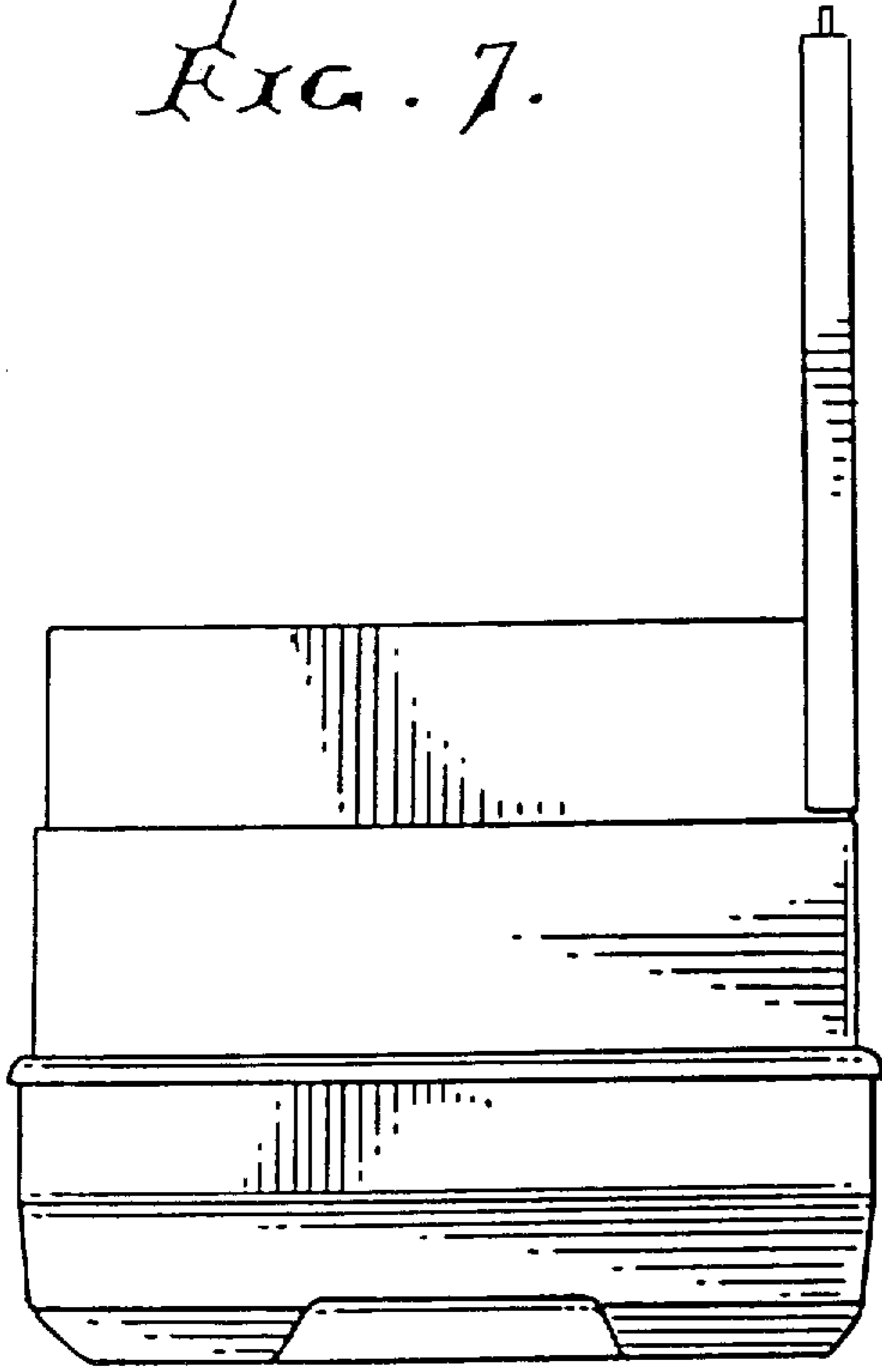


FIG. 8.

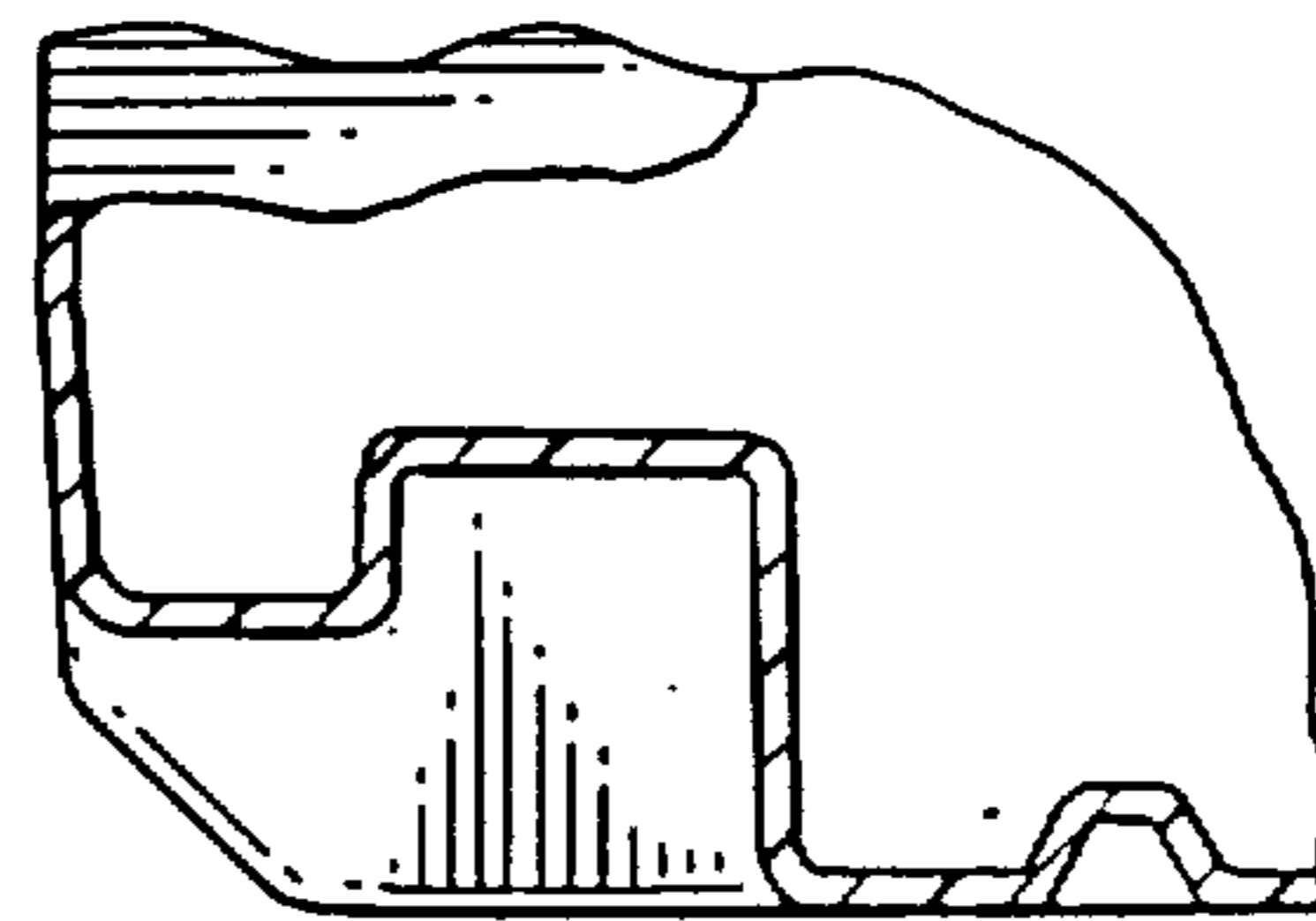


FIG. 9.

